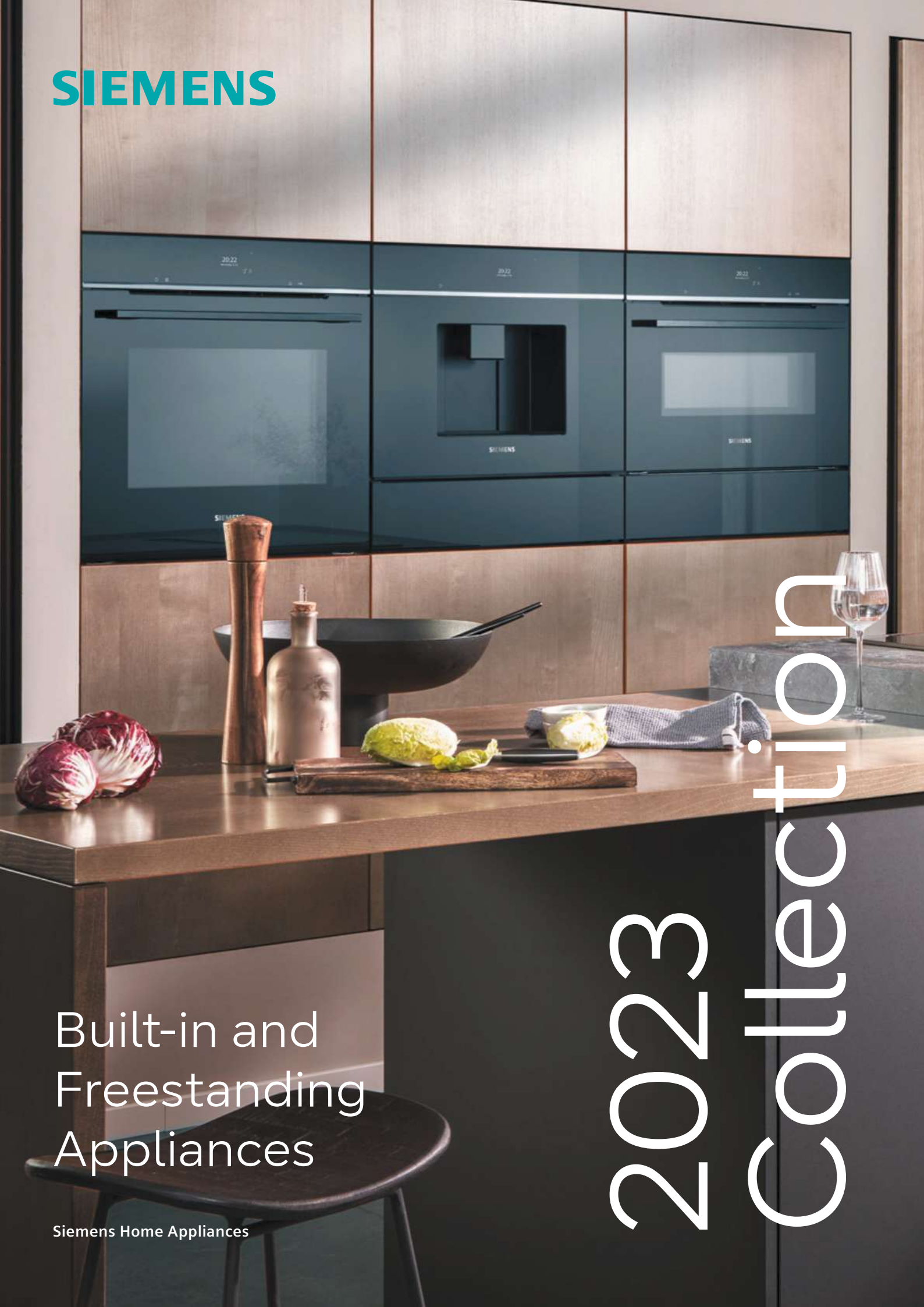


SIEMENS

Built-in and
Freestanding
Appliances

Siemens Home Appliances

2023
Collection





Introducing coordinated and intelligently designed appliances by Siemens

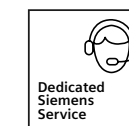
Offering you the perfect balance between modern design and innovative technology our range offers different value classes including iQ700; appliances with eye-catching design, cutting-edge technology and larger displays. Our iQ500 range brings the latest innovations and sleek designs allowing you to experience first-class appliances in your home. iQ300 and iQ100 offer more affordable options with equally tasteful design and style.

Discover the entire built-in range – for even more flexibility as well as time and resources-saving solutions which help support increasingly busy lifestyles. Siemens appliances include ovens that guide you to the best programme for your dish with the Oven Assistant, dishwashers that feature the world's only Zeolith® drying system; a technological innovation that sets new standards for performance and energy efficiency. In addition our range features fridges with hyperFresh food preservation system to help keep food fresh for longer and outstanding freezers that never have to be defrosted. Not to mention A rated freestanding washing machines so you do not have to compromise on performance to live more sustainably. All working together to create an intelligently connected kitchen and utility space in your home.

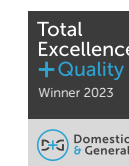


Stunning design and high quality materials come as standard with all Siemens appliances.

They have been engineered and designed in Germany and give you the satisfaction of Quality, Durability and Reliability.



With more than 340 engineers across the UK, all employed and trained by us, our engineers have unrivalled knowledge in repairing our appliances. Each team member goes through over 400 hours of training before attending customer call outs, all for your peace of mind.



In 2023, Siemens was awarded the D&G Total Excellence and Quality award. This award is based on surveys sent to customers of most of the major home appliance manufacturers and confirms our commitment to offering Siemens customers the very best service.

Warranties.



Siemens offer a 2 Year Warranty across the majority of our built-in range for added peace of mind. This warranty covers manufacturing and material faults. To register your warranty please refer to the information on page 175. Our Multi Door / American style fridge freezer and American fridge freezers are the only appliances we currently offer with a 5 Year Warranty.



In addition to the standard manufacturer warranty, our appliances also offer longer warranties on certain parts. This includes a 10 Year Anti-Rust warranty on all dishwashers, a 10 Year Compressor Drive warranty on selected cooling appliances, a 10 Year iQdrive® warranty on selected washing machines and lifetime AquaStop warranty on selected laundry and dishwasher appliances.



For further details, please refer to page 263 or visit our Siemens Home UK or Ireland website.

Welcome home



The virtualBrochure

You can now experience the entire Siemens range without leaving your house. We have developed an innovative virtualBrochure app which brings the Siemens product range to life, giving you full control of the products, where you can rotate, zoom and interact with every element.

There is also an Augmented Reality feature within the app, that allows you to visualise the range in your own home. Perfect for planning your dream kitchen.

You can download the app from the Apple Store and Google Play.



Download the virtualBrochure



Like and follow us on social media for the latest updates about our products, features and innovations.

Search **SiemensHomeUK** or **SiemensHomeIE**



Or you can also visit our website at siemens-home.bsh-group.com/uk or siemens-home.bsh-group.com/ie to find out more about our products and current offers.

Cooking	8-65
Pyrolytic single ovens	30-31
Single ovens	32-35
Double ovens	36-37
Compact ovens	38-41
Microwaves	42-45
Warming drawers	46-47
Smart kitchen dock	48-49
Accessories	50-51
Coffee centres	52-57
Technical diagrams	58-65
Hobs	66-105
inductionAir Plus hobs	82-83
flexInduction hobs	84-86
Induction hobs	87-89
quickLite ceramic hobs	90-91
Gas hobs	92-95
Domino hobs	96-97
Technical diagrams	98-105
Hoods	106-145
Worktop installation	116-117
Ceiling hoods	118-119
Island hoods	120-121
Decorative hoods	122-123
Box chimney hoods	124-125
Glass chimney hoods	126-127
Pyramid hoods	128-129
Integrated design hoods	130-131
Telescopic hoods	132-133
Integrated hoods	134-135
Canopy hoods	136-137
Technical diagrams	138-145
Cooling	146-205
Built-in	
Wine cabinets	156-157
Fridge freezers – NoFrost	158-161
Fridge freezers – LowFrost	162-163
Single door fridges and freezers	164-169
Technical diagrams	170-177
Freestanding	
Multi-door / American Style fridge freezer	190-197
Fridge freezers	198-201
Upright single door fridge	202
Upright single door freezer	203
Technical diagrams	204-205
Dishwashers	206-233
Built-in	
60cm fully integrated dishwashers	216-218
45cm slimline dishwashers	219
Technical diagrams	220-221
Freestanding	
60cm dishwashers	230-232
45cm dishwashers	233
Home laundry	234-261
Built-in	
Washing machines	240
Washer dryers	241
Technical diagrams	242-243
Freestanding	
Washing machines	256-257
Washer dryers	258-259
Tumble dryers	260-261
Services	262-263
Contact us	262
Register your manufacturer's warranty	263

Every connection lets your world grow

Take the next step into the future: Discover how new connections redefine your daily life with Siemens and Home Connect.

To learn more about Home Connect, download the app and try out our demo appliances or visit siemens-home.bsh-group.com/uk.

It is easy to think that kitchens are fully evolved, at Siemens we apply technology intelligently to continuously adapt and even pre-empt changing demands. Our smart appliances go further, all packaged into cutting edge design. Innovative features like checking how many dishwasher tablets you have left whilst shopping help you manage your household more effectively. And with the new detergent scan feature, it can even reduce detergent wastage. Just scan the bottle's barcode and your i-Dos washing machine will automatically determine the right amount of detergent based on your washing and the water hardness in your area. You can even ask our ovens to assist you with temperature and cooking times. Siemens smart Home Appliances with Home Connect let your world grow – from the everyday to the not so everyday.

Ovens

- **Recipes:** Discover a large and delicious variety of Siemens approved recipes. Select your favourite via the app and send the settings directly to the oven, straight from your mobile, tablet or smart device.
- Operate the oven intuitively from wherever you are, for instance preheat your oven while you are on your way home.

Coffee Centre

- **coffeeWorld:** Explore a wide range of additional coffee specialties from around the world. Select your choice via the app and send the drink instruction straight to your coffee machine.
- **coffeePlaylist:** Impress your guests by asking them to submit their coffee preferences via the app. Transfer the beverage list remotely to the coffee machine and the drinks will be prepared one after the other.
- Operate your coffee machine from wherever you are, like grabbing a coffee between meetings when working from home.

Hobs and Hoods

- Push notifications are a helpful guide notifying you when your appliance needs maintenance attention, such as letting you know when the filters need replacing.
- **Cooking assistant:** Use the assist tab on the Home Connect App when using the hob to help you find and select cooking methods. Send the settings directly to your hob for easier and quicker evening meals.
- Siemens hobs and hoods with Home Connect work together intelligently. Just switch on the hob and the hood automatically switches on and adjusts its settings as needed.

Fridge Freezers

- Manage your appliance remotely and intuitively select and activate the ideal setting for your refrigerator. Whether you are returning from a food shop or boarding a flight, adjust your fridge temperature or setting directly using the app. Receive helpful push notifications directly to your app, such as when you leave the door open.

Dishwashers

- Operate the dishwasher from wherever you are to fit around your lifestyle. Check the washing status, receive push notifications to your mobile such as when the programme has finished, or if the rinse aid needs topping up and even start the machine remotely when out of home.
- **Programme Assistant:** simply select the kind of dishes and your cleaning preference on the app and Home Connect will suggest the correct cycle for your load, making chores stress free and straightforward.

Washing Machines and Tumble Dryers

- **Smarten up your utility room** with our intelligent washers and dryers. Our appliances will message you when the washing or drying is done, so you can tick something else off your to-do list or simply have a coffee.
- They will also help you choose the right programme thanks to easyStart. Just tell the appliance what you are washing or drying, and it will recommend and set up the right programme. All you need to do is tap start.



Try demo

If you have not yet registered appliances on the app you can still try out the demo function to get a better understanding of the features available to you.

To experience the demo mode use the QR codes to download the free Home Connect app for your device, tap 'add appliances' on the home screen and choose from a range of demo appliances to experiment with.



Apple App Store



Google Play Store



Our world has turned into an ever-growing network of partner services, to help you turn your house into a fully connected home.

Raise your voice and reduce your efforts with Amazon Alexa and Google Assistant.

Food and ambience are equally important when it comes to pleasing your guests, but how can you be in two places at the same time – preparing dishes in the kitchen, whilst entertaining in the living room? Now with Home Connect and the right partner, it just became possible. With just one voice command, you can start the laundry program, preheat the oven, check the dishwashing progress or ask for your favourite coffee. A world of exciting possibilities awaits – just ask your voice assistant.

There are more important things to think of than dishwasher tablets.

Make life easier with Smart Reorder via the Alexa app.

Replenishing consumables is a small thing, but it can also become a big thing when you discover you have just run out of essentials like dishwasher tablets. With Smart Reorder via the Amazon Alexa app, you can experience automatic replenishment. This feature can be set up easily, so you never need to worry about the dishwashing again.

Manage your appliances while on the run with Fitbit.

Fitbit and Home Connect can help you make sure a warm meal or your favourite cup of coffee is waiting for you after every training session. Thanks to remote control capabilities of the app, you can control your oven, coffee machine, washing machine, washer dryer, tumble dryer and dishwasher, directly from your Fitbit smartwatch. You can also monitor the status of your appliances in real time from your watch, so you can check, for example, how long is left on your washing machine cycle.



Experience the elite studioLine

For those who want to set themselves apart from every standard.

studioLine | **5**
Year Warranty

The studioLine kitchen: enjoy elegance and exclusivity with appliances that all line up perfectly to create a guaranteed design statement. Enjoy superior design and cutting-edge functionality in your kitchen. The classic and iconic studioLine appliances with their black glass and blackSteel fascia will complement any high-end kitchen design. The studioLine models all elegantly feature the studioLine signature underneath the Siemens logo.

studioLine offers a complete kitchen solution with innovative technology such as the Individual Browning camera in the oven, sous-vide cooking, and the freeInduction hob for zoneless cooking.

This range is exclusive to studioLine partners. For more information, come and see us at Siemens London, 12-14 Wigmore Street, London, W1U 2RE. To book your appointment to visit us, just scan the QR code below.

Alternatively, to find a studioLine retailer near you, please visit our website: siemens-home.bsh-group.com/uk/inspiration/experience/london-showroom



Book your visit

The virtualBrochure.

You can now experience the studioLine range without leaving your house. We have developed an innovative virtualBrochure app which brings the studioLine product range to life, giving you full control of the products, where you can rotate, zoom and interact with every element.

There is also an Augmented Reality feature within the app, that allows you to visualise the range in your own home. Perfect for planning your dream kitchen.

You can download the app from both the Apple Store and Google Play Store.



Download the virtualBrochure



The perfect line up. Coordinated and intuitive cooking experiences

From ovens, to warming drawers, to coffee centres. Siemens clean lines and matching appliances allow for perfect design coordination.

Ovens

With stylish design Siemens built-in ovens are designed to impress, ensuring a sleek finish when coordinated with other Siemens appliances. Their ability to be installed independently allows full flexibility to fit appliances under work surfaces, in tall units or in a bank with other appliances. These multiple combinations mean that you have full freedom with your kitchen design, not to mention state-of-the-art technology and intelligent features which save you time when cooking.

Compacts

With the variety of appliances in our compact built-in range, Siemens provides a combination of options to suit your preferences, while delivering complete visual perfection. Siemens 45cm and 38cm high compact appliances allow for a full array of cooking configurations. Depending on the range and model, compact ovens are available with steam or integrated microwave, offering space-saving design without compromising on style or utility.



bsh
by
siemens

Siemens cooking warranties:



2 Year Warranty

A Two Year Warranty is available on all Siemens ovens and compact appliances listed in this brochure to protect against manufacturing and material faults during this warranty period.

To find out more about your warranty and for registration, please visit:
siemens-home.bsh-group.com/uk/customer-service/siemens-warranties

Discover intelligent ovens that adapt to your needs



Models shown: HM778GMB1B single oven, CT718L1B0 coffee machine, CM778GNB1B compact oven, BI710D1B1B warming drawer.

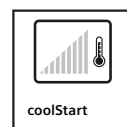
Key features within the iQ700 and iQ500 range



fast preheat

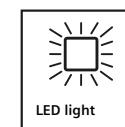
No more tedious waiting for the oven to reach the right temperature.

When you need it, just switch on fast preheating. By activating multiple heating elements simultaneously, Siemens ovens with fast preheating get to the desired temperature very quickly.



coolStart

Cooking certain frozen and chilled foods in the oven is now even faster – thanks to the innovative coolStart function. Without the need to wait for the oven to reach the set temperature, you can successfully cook frozen and chilled foods without preheating, while still using the recommended cooking time.



Everything put in a good light.

Depending on the model, there are different kinds of illumination inside the oven. Whether it is the standard Halogen light, LEDs or the most advanced Multilevel LED strip, they all provide a brilliant view of your dishes without having to open the oven door.



Electronic control

Depending on the function selected, the oven will suggest a suitable temperature which can be manually adjusted. The selected temperature is displayed digitally and a heating up indicator shows the progress towards the set temperature; the same indicator shows residual heat once the oven is turned off. Get quick access to performance features like cookControl Plus and cookControl Pro whilst being safe in the knowledge that if left unadjusted for a period of time, the oven will switch off automatically.



Discover intelligent ovens that adapts to your need



Models shown: HM778GMB1B single oven, CT718L1B0 coffee machine, CM778GNB1B compact oven, BI710D1B1B warming drawer.

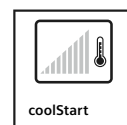
Key features within the iQ700 and iQ500 range



fast preheat

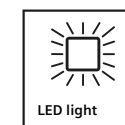
No more tedious waiting for the oven to reach the right temperature.

When you need it, just switch on fast preheating. By activating multiple heating elements simultaneously, Siemens ovens with fast preheating get to the desired temperature very quickly.



coolStart

Cooking certain frozen and chilled foods in the oven is now even faster – thanks to the innovative coolStart function. Without the need to wait for the oven to reach the set temperature, you can successfully cook frozen and chilled foods without preheating, while still using the recommended cooking time.



Everything put in a good light.

Depending on the model, there are different kinds of illumination inside the oven. Whether it is the standard Halogen light, LEDs or the most advanced Multilevel LED strip, they all provide a brilliant view of your dishes without having to open the oven door.



Electronic control

Depending on the function selected, the oven will suggest a suitable temperature which can be manually adjusted. The selected temperature is displayed digitally and a heating up indicator shows the progress towards the set temperature; the same indicator shows residual heat once the oven is turned off. Get quick access to performance features like cookControl Plus and cookControl Pro whilst being safe in the knowledge that if left unadjusted for a period of time, the oven will switch off automatically.



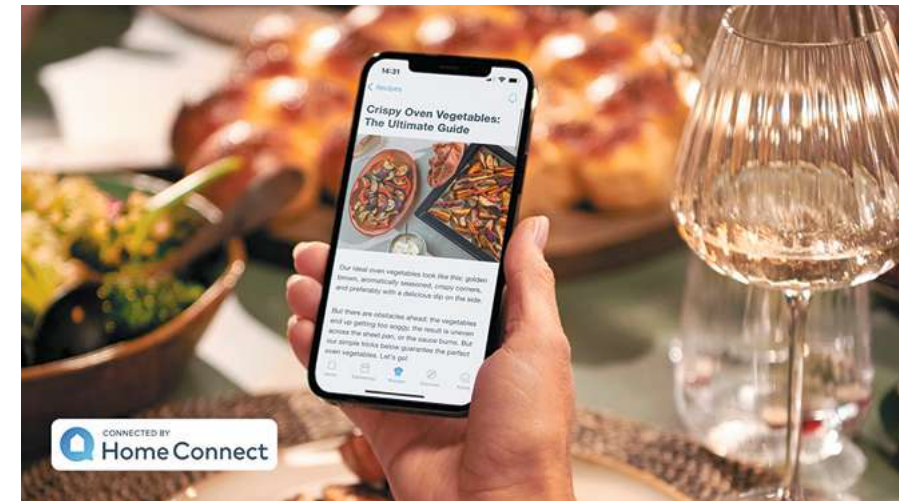
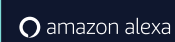
Get more with Home Connect



Download and install Home Connect App



Partners brought to you by Home Connect



Our range of smart cooking appliances with Home Connect, are designed to work intelligently for you and with you.

From easy set-up, quick access to user manuals, scheduling pyrolytic cleaning start times to fit your needs, to informing you when to clean cooker hood filters; Siemens cooking appliances with Home Connect intelligently meet your needs to make everything easy and accessible.

You are in safe hands.

Siemens cooking appliances are equipped with intelligent sensors to help you get the best results when cooking. For example, use the 'dishes' section on the app and let it suggest the best cooking settings for your dish.

Browse the recipe section of the Home Connect app and let yourself be inspired by new and selected recipes that meet even the highest demands. Then send the cooking settings of your chosen recipe directly to your oven intuitively from the app.

Every connection lets your world grow.

The constantly growing network of partner solutions opens up completely new perspectives and networking possibilities for you. For an everyday life that is efficient and exciting like never before.

Connect your Wi-Fi-enabled oven to a wide range of smart devices and services. Keep your appliance working at its best with preventative maintenance. Get informed via simple notification on your phone, when it is time to change the hood filters when they reach 80% saturation.

Create your own personalised triggers with IFTTT to fit your lifestyle by setting up, for example, an applet where the lights flash in your living room when your meal is ready.

Intelligent thinking, intelligent design.

We enable multiple ways to control your appliance so when your hands are full or you are busy with life – voice, smartwatch, tablet, phone. Discover the countless applications that are precisely tailored to your needs. With Home Connect and the relevant partner, you can now control your household with just one click. Create your own personal scenarios by turning off various devices when you want to leave your home. Enjoy the all-in-one solution for intelligent home automation.

Said. Done.

Control your appliances without lifting a finger, just ask your home assistant to start your oven, or even how long it will take until dinner is ready? Control your oven easily by voice – while you relax on the sofa.

Joined up thinking.

Depending on the model our smart ovens with roastingSensor know when your dish is done perfectly and switches itself off so you do not have waste additional energy. The Home Connect app, gives you complete control.

Enduring performance.

Downloadable programs and software updates ensure your oven is always at the cutting edge.

Knowledge at your fingertips.

No need to search for the manuals hidden in the kitchen drawer, you can access them with a simple tap thanks to Home Connect.



Uncompromising design and technology: iQ700

Introducing features unique to the Siemens iQ700 ovens and compact appliances range.

Thanks to activeClean®, ecoClean®, ecoClean® Plus and humidClean® by Siemens, cleaning your oven becomes simple and effortless.



Ovens with activeClean®
Enjoy preparing food without worrying about the consequences. Baked on food and grease can be removed at the push of a button without any need for chemical treatments. Hassle-free, the oven cleans itself thoroughly with activeClean®. It does so by heating up to a very high temperature – turning all residues into ash, which can easily be wiped away. This process is called pyrolysis and is an extremely convenient and efficient way to clean the whole interior of your oven. activeClean® makes it possible to forget about the chore of cleaning your oven and gives you back your time to spend on the things you love.

For iQ700, the optional telescopic rails and full width enameled pan are specially designed to be used with activeClean® so you do not need to remove them at all. Only the wire shelf needs to be removed.



Ovens with ecoClean® and ecoClean® Plus
A special coating applied directly to the inside of the oven (please check specification of individual models), ecoClean® and ecoClean® Plus make cleaning the oven easy. The coated area cleans itself while the oven is on and models with back, roof and side coating benefit from a special cleaning programme.



humidClean
For faster cleaning, dirt is softened beforehand by vaporising soapy water. Simply add a drop of detergent to 400ml of water, pour the solution onto the centre of a completely cooled cooking compartment and set the cleaning programme. Once done you can easily remove the soiling with a dish cloth or soft brush.



Cleaning and de-scaling
Finished with a durable enameled interior, most Siemens compact45 combination ovens with steam feature dedicated cleaning and de-scaling programmes.



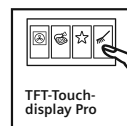
Drying programme
Select the drying programme after each use to dry residual moisture inside the cavity of the oven.



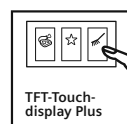
activeClean® – ovens that clean themselves

Display options available for iQ700 single ovens and compact ovens

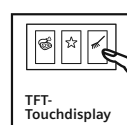
The iQ700 range oven menu comes with a high resolution TFT Touchdisplay in three different sizes. Each display type comes with products designed to complement each other and coordinate effortlessly in your kitchen. The high-contrast colour screen offers you smooth and intuitive navigation and lets you access everything you want and need by a simple touch. It is even easier to select the perfect settings, you can even access your 'favourites' directly from the main menu. Designed to serve one purpose: giving you full control.



TFT Touchdisplay Pro
Our largest high-contrast colour display is easy to read from any angle, allowing you to operate your oven easily and comfortably.



TFT Touchdisplay Plus
A smaller display but still with the same colour, high-contrast display, the TFT Touchdisplay Plus is the intuitive and satisfying control centre of your oven.



TFT Touchdisplay
Our smallest display in the range but no less equipped to make your cooking experience effortless and help you get the most from your oven.



iQ700 ovens and compacts are designed to complement one another.

Whether you are looking for a single oven with an easy clean solution such as activeClean, an oven with steam function or you may be considering an additional compact model with integral microwave to act as a second oven, Siemens has options for every need.

The Siemens compact steamer and steam combination ovens provide the benefit of steam together with perfect design coordination. Steam and added steam cooking has increased in popularity in the past few years. Not only does this offer healthier cooking options as steam retains vitamins and nutrients, but also maintains the visual appearance of many foods. With fullSteam, healthy can also be convenient. Using the perfectly balanced combination of steam and heat at 120°C your dish finishes cooking up to 50% faster than using the standard 100°C steam function.

If coffee is your passion, then why not opt for the Siemens coffee centre – designed to coordinate with the iQ700 range, this versatile machine will provide a variety of specialist coffees at the touch of a button.

The Siemens iQ700 range also includes warming drawers. Primarily designed to pre-heat crockery and keep cooked food warm, these drawers can also slow cook, prove dough and defrost.

Available in 14cm or 29cm high options, they combine perfectly with single ovens and 45cm compact models in column or side by side in bank installations. For optimum design coordination, choose iQ700 models with matching TFT displays.

Models shown right:
HM778GMB1B single oven with microwave and
HS758G3B1B single oven with steam function



A built-in kitchen assistant.



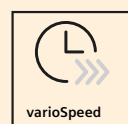
cookControl Pro

Pre-installed, automated baking and roasting programmes in your oven guarantee ideal preparation. Simply select your dish via the clearly arranged TFT touchDisplay and the oven's sensors control the process. Select a result from various suggestions to suit your preferences or time. The oven automatically applies the correct settings and functions and turns off when your dish is ready, so you can relax while your food is cooking. More programmes can be downloaded in future – just connect your oven with your registered Home Connect account.

In addition to pre-installed programmes, cookControl Pro gives access to additional special sensors or heating modes depending of the appliances.



The same great results in up to half the time.



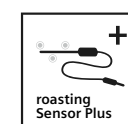
varioSpeed

When time is of the essence use the varioSpeed function to cut down your cooking time by up to 50%.

Intuitive to use and a real "allrounder" – for every dish you want to prepare, add the microwave function to your chosen heating mode to enjoy delicious and refined dishes faster.

Get the most out of the ingredients in your creations and receive outstanding results such as soft textures vs. crispy crusts all in record time.

More to explore. Achieve the best results.



Easier than ever before: roastingSensor Plus

Thanks to three measuring points, the innovative roasting thermometer is able to precisely and reliably measure the core temperature of your dishes. This allows you to use it with a wide range of foods. Ideal for meat, poultry and fish, it can even be combined with the integrated microwave and the pulseSteam function. The roastingSensor Plus removes the need to keep checking your food so you have the freedom to get on with the rest of your cooking.

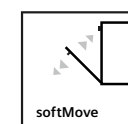


bakingSensor Plus

Thanks to bakingSensor Plus the oven can detect when the baking process is complete; all that is left for you to do when baking is to prepare the pastry or mix and select the required dish. Innovative sensor technology fitted inside selected iQ700 ovens can automatically control the baking process for consistently delicious baking. The bakingSensor constantly measures the humidity levels in the oven interior and is therefore able to determine when the dish is fully cooked and ready.



Smooth operator.



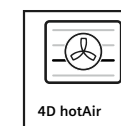
softMove

For effortless operation of the oven door, the dampers ensure gentle and quiet opening every time. Available on all iQ700 built-in ovens.



Model shown: HS658GES7B single oven

Be flexible with your cooking.



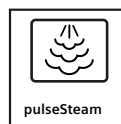
4D hotAir
The innovative technology of the fan motor enables optimum heat distribution around the interior of the oven, as the oven is programmed to change the rotating direction of the fan every few minutes. Due to even distribution of heat within the cavity, cooking on up to 4 shelf levels is possible (for compact appliances up to 3 shelves). Your food therefore always turns out perfectly, just as you want it, no matter which shelf you choose to place it on.



Steam cooking. The healthy way to cook.



fullSteam Plus
The steam function of the new iQ700 oven is not only a healthier way of cooking, it is also faster: The perfectly balanced combination of steam and heat at 120°C finishes your dish up to 50% faster than using the standard 100°C steam function. Ideal to preserve vegetables' fresh colours and retain vitamins and minerals. Even firm vegetables like potatoes and carrots become perfectly tender making fullSteam Plus one of the most convenient ways to prepare a delicious and healthy meal.



pulseSteam
Siemens ovens and compact appliances with pulseSteam are real all-rounders for more flexibility with your cooking. You can easily add steam while baking and roasting with hot air – with multifunction options you have the perfect cooking method for any food, preserving everything that is important: flavour, smell, texture, vitamins and nutrients. Siemens combi-steam ovens do not just work with hot air but also with top and bottom heating and grilling, so bread, cakes and roasts come out just right: crisp on the outside and moist on the inside.

How does it work?

Siemens steam and steam combination ovens are quick and easy to install as they do not require plumbing-in. Our fullSteam ovens have the temperature range indicated; whereas our pulseSteam models have three intensity levels which can be adjusted, depending on what is being cooked.

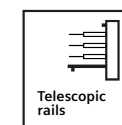
The removable 1 litre water tank (1.3 litre for compact steamer) is accessed behind the semi-automatic control panel making it more convenient and easier to refill, even during cooking. Water is heated by a fast and efficient steam generator before being introduced into the oven. Thermostatic controls allow a pure steam temperature of 30 – 100°C.



Model shown: HS758G3B1B single oven

Rail Systems: The perfect accessories, designed especially for your iQ700 oven.

We supply accessories that help make cooking easier and more enjoyable for you. Great for tailoring your oven to your individual needs offering ease of use and flexible cooking options to help you create the perfect dish.



iQ700 telescopic rails
Fully extendable telescopic rails are available as an optional extra on selected iQ700 ovens. Designed to glide smoothly and effortlessly out of the oven, these rails offer clear and comfortable access to tend to your food during cooking and to remove the food once cooked without having to reach into the hot oven. Versions suited to pyrolytic models which can remain in the appliance during the cleaning cycle are also available, allowing you to effortlessly clean the oven and the rails at the same time.

¹ Telescopic rails are not available as optional accessories on ovens with integral microwave



Your time is precious

Make more of it: iQ500

Get more time for outstanding cooking creations – with a wide range of innovative speed solutions.

Featuring more traditional, yet stylish, illuminated and easy to use control dials, the coordinated lightControl design allows the single ovens, built-in/under double ovens, compact microwave combination ovens, built-in microwave ovens, and warming drawers to be installed together, both vertically and horizontally*.

Siemens offers a choice of two coordinating iQ500 45cm compact microwave combination ovens, each featuring the same striking blue and white lightControl display as the iQ500 single ovens.

The standard microwave combination oven CM585AGS0B features a large 36cm ceramic base to allow for use of rectangular dishes compared to a turntable.

Alternatively, the innovative CP565AGS0B features not only microwave and oven functionality, but also full steam and steam combination options – the ultimate in combination cooking and perfect for maximising your options if space is a premium.

Compact combination ovens are complemented by a 14cm high warming drawer to ensure complete iQ500 design coordination.

If you just need a microwave, the iQ500 range is completed by two design coordinated solo microwaves – a 25L version for installation in tall housing and a smaller 20L model design to fit into 30cm deep wall cupboards.

*Horizontal combinations for single ovens and 45cm compact appliances only.

Operation meets fascination.



lightControl

The lightControl dial highlights the chosen heating symbol with a striking blue light – making operating the oven into an intuitive and exciting experience. The design is consistent throughout the iQ500 range, meaning whether you are selecting a cooking function on a single oven, or introducing steam to the 3 in 1 microwave combination compact appliance, lightControl dials will illuminate whichever function you need.



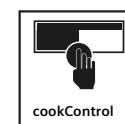
The secret to perfection.



addedSteam

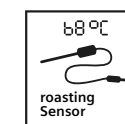
This feature benefits foods by adding moisture and enhancing colour and crispness. This is done by enhancing a natural process called the Maillard effect. This is a reaction which occurs when natural sugars are caramelized in the presence of heat that gives conventionally cooked food it's colour and crispness. Adding shots of steam intensifies this reaction. For example bread crusts become dark, shiny and crisper compared to being cooked by a conventional heat only.

Guarantee the best cooking results:



cookControl

Providing automatic programmes for mainly meat, poultry and fish. Available in either 10 programmes or 30 programmes, simply select the desired dish and enter the food's weight – everything else is done automatically.



Single point roastingSensor

The roasting thermometer is able to precisely and reliably measure the internal temperature of your dishes. By getting an accurate reading of the core temperature of boneless and fat less dishes, it can determine when they are perfectly done.



3D hotAir

With the 3D hotAir, you can cook on up to three levels simultaneously. Your oven distributes the heat consistently and guarantees perfect baking results while preventing flavours and smells intermingling.



Model shown:
MB578G5S6B built-in double oven

Introducing Siemens iQ500 double ovens

softClosing Door

Adding to the ambience of any kitchen, the softClosing Door, on selected iQ500 models, closes by gently cushioning the last few centimetres for minimal noise and maximum comfort. In addition, a softClosing Door ensures that items within the appliance are not disturbed from a heavy impact, avoiding unnecessary spills to clean.

iQ500 varioClip rails

Selected Siemens iQ500 single and double ovens¹ feature a pair of innovative varioClip telescopic rails. Intelligently designed with an easy release system, these rails can be unclipped and repositioned on any of the five shelf positions in the oven², allowing you to tailor the position to suit what you are cooking. Whether grilling bacon for breakfast on one of the higher positions, or opting for a lower rail position to cook the Sunday roast, these fully extendable rails perfectly combine flexibility and convenience. Additional pairs of varioClip rails are available as optional extras, allowing you to personalise the rail systems for your oven.



varioClip rails – designed to be released and repositioned quickly and easily

¹ Please see product descriptions for models that have the rails as standard
² varioClip rails suited only to the main oven on double ovens

If you are looking for extra flexibility and more cooking space a Siemens iQ500 double oven is the perfect solution.

Entertain guests with a variety of different foods, baking dessert in the main oven whilst heating savoury dishes within the top oven. Sitting seamlessly within your furniture, kitchen space is maximized without sacrificing the extra cavity space.

Our double oven with activeClean® benefits.

A double oven with top of the range features. Built-in model MB578G5S6B with Home Connect features activeClean® in both the main and top cavity. activeClean® heats up the temperature of the oven to burn residue and allow for easy wipe away cleaning, saving significant time when cleaning the oven. This model also includes the coolStart function, perfect for if you are always on the go and need to heat up frozen and chilled meals quickly.

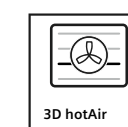
A built-under to fit beneath work surfaces.

Alternatively the built-under oven model NB535ABS0B with a fast preheat and 3D hotAir cooking available in the main oven cavity, allows you to cook different types of foods flexibly on up to 3 shelving positions, without tastes mingling. Its slightly smaller overall size means this double oven can also fit underneath the work surface – ideal if you require the benefit of two cooking cavities, but are limited for space in your kitchen.



NB535ABS0B built-under double oven

Key features of iQ500 double ovens:



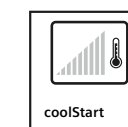
3D hotAir
Can cook all types of food on up to 3 levels simultaneously to stop flavours and smells intermingling.



activeClean®
Heating the cavity up to 480°C, activeClean® burns away all dirt and grime. The remaining ashes can then be easily wiped away making cleaning your oven effortless.



cookControl
Provides automatic programmes for the perfect preparation of meat, fish, vegetables and bread. Simply select the desired dish and enter the food's weight – everything else is done automatically. Either 10 or 30 programmes available, depending on the model.



coolStart
No more preheating when cooking chilled and frozen convenience food. Using an intelligent heating phase, it is now possible to cook frozen and chilled food without waiting for the oven to preheat.



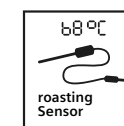
fast preheat
By activating all heating elements simultaneously, Siemens ovens with fast preheating get to the desired temperature very quickly.



ecoClean® liners
A direct coating that lines the inside of the oven, ecoClean® makes cleaning the oven easy. The coated area cleans itself while the oven is on or can be activated with a cleaning programme. Available either as a full coating on the back, roof and sides or exclusively on the back panel.



Electronic control
Depending on the function selected, the oven will suggest a suitable temperature which can be manually adjusted. The selected temperature is displayed digitally and a heating up indicator shows the progress towards the set temperature; the same indicator shows residual heat once the oven is turned off. Get quick access to performance features like cookControl whilst being safe in the knowledge that if left unadjusted for a period of time, the oven will switch off automatically.



Single point roastingSensor
By getting an accurate reading of the core temperature of boneless and fatless dishes, the roastingSensor can precisely and reliably measure the internal temperature of your dishes to determine when they are perfectly done.

Home Connect

Control your oven simply by using your smartphone or tablet with the Home Connect App.

Features are on selected models. Please check individual models on matrix pages for exact specifications.

Explore compact ovens and microwaves

Ovens with integral microwave*

When teamed with a single oven, Siemens iQ700 compact ovens with microwave offer a great alternative to a double oven if you require more space for traditional cooking. Designed first and foremost to function as an oven, with construction, features and functions identical to a traditional single oven, these models benefit from the addition of microwaves at low medium power (max. 360W) to deliver oven-led combination cooking. Our varioSpeed faster cooking feature speeds up the cooking process while retaining traditional cooking results.

Microwave Combination Ovens*

These iQ500 models are designed to provide more functionality than a solo microwave oven, focussing on combination cooking, with the microwave using higher power (max. 600W) to lead the cooking process, supported by hot air or grill functions to deliver speedy crisp and browned results. Based around a more traditional microwave functionality these models offer the perfect solution if regular microwave heating is the priority, but with the back-up of separate or combination hot air cooking and grill functionality if required.

*These models are designed to operate best in combination mode, so when heating using microwave only, it may be necessary to adjust cooking times.

Compact Ovens with Steam

If you are looking for healthier cooking options the Siemens range of compact ovens with steam allows you to enjoy healthier meals using the power of steam to deliver juicier meats, crisped and fluffy baked items and vegetables that retain more of their vibrant colours, vitamins and nutrients. Siemens fullSteam models offer pure steam cooking, plus many models also offer pulseSteam – pulses of steam are injected into the oven to work in tandem with traditional cooking functions. Please check individual models for exact specifications.



CM676GB56B compact oven with integral microwave



CM585AGS0B compact microwave combination oven



CP565AGS0B compact microwave combination oven with steam

Inverter Technology

Inverter Technology delivers microwave power constantly while cooking – other, traditional microwaves are only able to deliver maximum power and manage the differing settings by alternating between on and off for specific time periods. This can result in uneven heating or over-cooked food and can be especially damaging to more delicate foods or smaller portions.

With Inverter technology, the microwave delivers power constantly, gradually managing the power levels down over time in order to control the food temperature. This gentle approach to cooking reduces uneven heating or overheated food and is especially beneficial for delicate foods. It may be necessary to adjust cooking times to ensure foods are thoroughly cooked before serving. Siemens recommends that the maximum power setting be used for heating liquids and the microwave is calibrated to provide a burst of high power initially, before managing the power down in stages to the next level over the first few minutes.



Models shown: **CM678G456B** iQ700 compact oven with integral microwave and **BI630CNS1B** iQ700 warming drawer

Warming and accessory drawers

Perfect for warming plates, a Siemens warming drawer will keep food warm for latecomers – as well as keeping plates at an optimum temperature to ensure hot food keeps its warmth when plated. With adjustable temperatures of 40-80°C, a four-setting iQ700 14cm or 29cm high warming drawer can be installed as a standalone appliance, or acts as the perfect accompaniment to Siemens iQ700 ovens and compacts. If you are simply looking for additional storage, a matching 14cm accessory drawer is also available. The iQ500 range includes a 14cm high warming drawer featuring 3 settings, minimum, medium and maximum designed to coordinate with Siemens iQ500 ovens and compacts. The perfect line up of an oven, compact appliance with warming drawer is sure to bring style and elegance to any refined kitchen space.



BI630CNS1B iQ700 warming drawer

Discover the new Smart Kitchen Dock – the core of the intelligent kitchen



Download and install Home Connect App
Partners brought to you by Home Connect



Enhance your kitchen experience and discover intuitive and flexible guidance and control in one central hub. Plus you can enjoy the best features from a variety of digital services including Home Connect, Alexa and other partners.



With touchless control and effortless integration with your kitchen appliances, the new Smart Kitchen Dock really puts you in control of your intelligent kitchen. Learn how to make the most of your appliances by exploring the multiple recipes and oven settings available, as well as hints and tips for producing your best dishes yet. The built-in speakers make listening to music as you cook easier than ever before.

And you do not need to worry about those sticky fingers, as the entire interface can be controlled hands free, with voice, touch and air gestures*. You can even dock your compatible devices** to truly make the Smart Kitchen Dock the hub of your home.

*Available through selected apps.
**The Smart Kitchen Dock is compatible with smartphones and tablets with iOS 15 or higher and Android 11 or higher.



Amazon Music

With your Smart Kitchen Dock, you can do so much more to elevate your cooking experience. Connect your Smart Kitchen Dock to your Amazon Music account and enjoy over 70 million songs while you are cooking and create recipes with ease.



foodfittery

Browse through recipes in seconds using your Smart Kitchen Dock while using innovative recipe apps like foodfittery.













Kitchen Stories

If you are looking for inspiration for your next dinner part, look no further than the Kitchen Stories app. You can easily find recipes and even send the settings directly to you Home Connect oven.

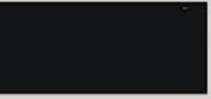
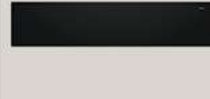
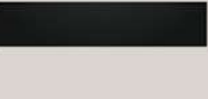
Oven product overview

iQ700 single oven range

All single and compact ovens included on these pages feature softClose (excluding BF722L1B1B)









Display type	Single Ovens (60cm) with activeClean (pyrolytic/self-cleaning)			Single Ovens (60cm) with ecoClean (non-pyrolytic)	
	Microwave	pulseSteam	Standard	Steam	Standard
TFT touchDisplay Pro	 <p>HM778GMB1B</p> <ul style="list-style-type: none"> Cooking functions: 21 4D hotAir cookControl Pro roastingSensor Plus varioSpeed activeClean® 		 <p>HB778G3B1B</p> <ul style="list-style-type: none"> Cooking functions: 13 4D hotAir cookControl Pro roastingSensor Plus activeClean® 	 <p>HS758G3B1B</p> <ul style="list-style-type: none"> Cooking functions: 22 4D hotAir cookControl Pro roastingSensor Plus fullSteam Plus ecoClean Plus 	
TFT touchDisplay Plus	 <p>HM776G1B1B</p> <ul style="list-style-type: none"> Cooking functions: 19 4D hotAir cookControl Pro varioSpeed activeClean® 	 <p>HR776G1B1B</p> <ul style="list-style-type: none"> Cooking functions: 19 4D hotAir cookControl Pro pulseSteam activeClean® 	 <p>HB776G1B1B</p> <ul style="list-style-type: none"> Cooking functions: 13 4D hotAir cookControl Plus activeClean® 	 <p>HS736G1B1B</p> <ul style="list-style-type: none"> Cooking functions: 21 4D hotAir cookControl Pro fullSteam Plus ecoClean 	 <p>HB736G1B1B</p> <ul style="list-style-type: none"> Cooking functions: 13 4D hotAir cookControl Plus ecoClean
TFT touchDisplay			 <p>HB772G1B1B</p> <ul style="list-style-type: none"> Cooking functions: 10 3D hotAir cookControl Plus activeClean® 		 <p>HB732G1B1B</p> <ul style="list-style-type: none"> Cooking functions: 10 3D hotAir cookControl Plus ecoClean

iQ700 drawers range

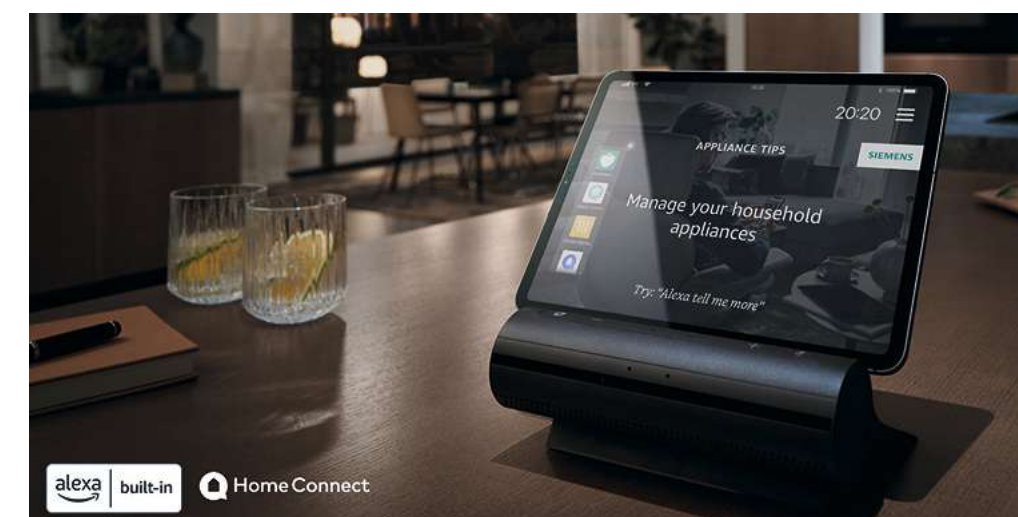
Display type	29cm Drawers		14cm Drawers
	Warming drawer	Warming drawer	Accessory drawer
All drawers have: <ul style="list-style-type: none"> Push/pull opening Heated ceramic base (excludes Accessory Drawer) 	 <p>BI710D1B1B</p> <ul style="list-style-type: none"> 29cm height Maximum capacity - plates 40 Maximum capacity - espresso cups 192 Temperature levels 4 	 <p>BI710C1B1B</p> <ul style="list-style-type: none"> 14cm height Maximum capacity - plates 12 Maximum capacity - espresso cups 64 Temperature levels 4 	 <p>BI710E1B1</p> <ul style="list-style-type: none"> 14cm height Maximum capacity - plates 14 Maximum capacity - espresso cups 64 Temperature levels n/a

Home Connect

All single ovens, compact ovens and coffee machine included on these pages feature Home Connect (excluding BF722L1B1B and CE732GXB1B)

Compact Ovens (45cm) with activeClean (pyrolytic/self-cleaning)			Compact Ovens (45cm) with ecoClean (non-pyrolytic) (excluding CM724G1B1B)		Compact Microwave		Coffee Centre
Microwave	Microwave	Steam	Microwave	Microwave with grill	Microwave	Microwave with grill	
 <p>CM778GMB1B</p> <ul style="list-style-type: none"> Cooking functions: 21 4D hotAir cookControl Pro roastingSensor Plus bakingSensor Plus varioSpeed activeClean® 							 <p>CT718L1B0</p> <ul style="list-style-type: none"> doubleCup coffeeWorld aromaSelect ceramDrive autoMilk Clean
 <p>CM776G1B1B</p> <ul style="list-style-type: none"> Cooking functions: 19 4D hotAir cookControl Pro varioSpeed activeClean® 	 <p>CM736G1B1B</p> <ul style="list-style-type: none"> Cooking functions: 19 4D hotAir cookControl Pro varioSpeed ecoClean 	 <p>CS736G1B1</p> <ul style="list-style-type: none"> Cooking functions: 21 4D hotAir cookControl Pro fullSteam Plus ecoClean 					
	 <p>CM724G1B1B</p> <ul style="list-style-type: none"> Cooking functions: 15 2D hotAir cookControl Pro varioSpeed ecoClean not included 		 <p>CE732GXB1B</p> <ul style="list-style-type: none"> cookControl 10 1000 Watts maximum Grill function 	 <p>BF722L1B1B</p> <ul style="list-style-type: none"> cookControl 7 900 Watts maximum Left hinged 			

Power up the Siemens intelligent kitchen with the Smart Kitchen Dock.

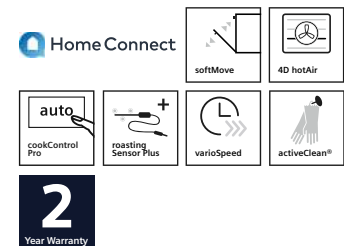


alex built-in Home Connect

Pyrolytic single ovens

iQ700 HM778GMB1B

Single multi-function oven with integral microwave
Black with steel trim



Home Connect



Pyrolytic single ovens specifications

APPLIANCE TYPE	PYROLYTIC OVEN WITH INTEGRAL MICROWAVE
Design family	iQ700
Model number	HM778GMB1B
DESIGN CHARACTERISTICS	
TFT Touchdisplay Pro	■
TFT Touchdisplay Plus	-
TFT Touchdisplay	-
softMove door opening and closing	■
SAFETY FEATURES	
Electronic control	■
Digital temperature display with proposal	■
Heating up indicator / Residual heat indicator	■ / ■
Control panel lock / Automatic safety switch off	■ / ■
Door lock	■
KEY FEATURES	
Home Connect	■
Oven assistant with Voice control	■
varioSpeed	■
cookControl / cookControl Plus / cookControl Pro	- / - / ■
roastingSensor / roastingSensor Plus	- / ■
Oven shelf positions	5
CLEANING SYSTEM	
activeClean® pyrolytic oven cleaning	■
humidClean Plus	■
Back / roof / side ecoClean® Direct liners	- / - / -
PROGRAMMES / FUNCTIONS	
Number of heating methods	21
hotAir cooking (3D or 4D)	4D
Microwave (number of combination options)	5
coolStart / fast preheat	■ / ■
Full width surface grill / hotAir grilling / Centre surface grill	■ / ■ / ■
Pizza Setting / Bottom heat / Intensive heat	■ / ■ / ■
Conventional / Conventional gentle	■ / ■
Keep warm / Plate warming	■ / ■
Low temperature cooking / Dehydrate	■ / ■
pulseSteam / fullSteam Plus	- / -
Dough proving / Reheating / Defrost	- / - / -
PERFORMANCE / TECHNICAL INFORMATION	
Product dimensions H x W x D (mm)	595 x 594 x 548
Cavity capacity (litres)	67
Water tank volume (litres)	-
Maximum microwave power (W) ¹ / Number of power levels	800 / 5
Nominal voltage (volts)	220-240
Total connected loading (watts)	3600
Cable length (cm)	120
Minimum fuse protection	16A
Interior lights	■
Door glazing	Quadruple
STANDARD ACCESSORIES	
Full width enamelled pan / Wire shelves	1 / 2
Steam trays	-
Telescopic rails	■

■ Yes, model has this feature. - Feature not available for this model.

¹ For Inverter models, the maximum setting offers a time limited boost option for heating liquids. To ensure optimal results and to protect the appliance, the microwave power output is reduced in stages over the first few minutes down to the next power level (600W). After a cooling period, the microwave boost option will be available once more.

Data valid in this table as of October 2023. Subject to modification without prior notice.

Home Connect



Home Connect



Home Connect



Home Connect



Home Connect



Pyrolytic single ovens specifications

APPLIANCE TYPE	PYROLYTIC OVEN	PYROLYTIC OVEN WITH INTEGRAL MICROWAVE	PYROLYTIC OVEN WITH PULSESTEAM	PYROLYTIC OVEN	PYROLYTIC OVEN
Design family	iQ700	iQ700	iQ700	iQ700	iQ700
Model number	HB778G3B1B	HM776G1B1B	HR776G1B1B	HB776G1B1B	HB772G1B1B
DESIGN CHARACTERISTICS					
TFT Touchdisplay Pro	■	-	-	-	-
TFT Touchdisplay Plus	-	■	■	■	-
TFT Touchdisplay	-	-	-	-	■
softMove door opening and closing	■	■	■	■	■
SAFETY FEATURES					
Electronic control	■	■	■	■	■
Digital temperature display with proposal	■	■	■	■	■
Heating up indicator / Residual heat indicator	■ / ■	■ / ■	■ / ■	■ / ■	■ / ■
Control panel lock / Automatic safety switch off	■ / ■	■ / ■	■ / ■	■ / ■	■ / ■
Door lock	■	■	■	■	■
KEY FEATURES					
Home Connect	■	■	■	■	■
Oven assistant with Voice control	■	■	■	■	■
varioSpeed	-	■	-	-	-
cookControl / cookControl Plus / cookControl Pro	- / - / ■	- / - / ■	- / - / ■	- / - / ■	- / - / ■
roastingSensor / roastingSensor Plus	- / ■	-	-	-	-
Oven shelf positions	5	5	5	5	5
CLEANING SYSTEM					
activeClean® pyrolytic oven cleaning	■	■	■	■	■
humidClean Plus	■	■	■	■	■
Back / roof / side ecoClean® Direct liners	- / - / -	- / - / -	- / - / -	- / - / -	- / - / -
PROGRAMMES / FUNCTIONS					
Number of heating methods	13	19	19	13	10
hotAir cooking (3D or 4D)	4D	4D	4D	4D	3D
Microwave (number of combination options)	-	5	-	-	-
coolStart / fast preheat	■ / ■	■ / ■	■ / ■	■ / ■	■ / ■
Full width surface grill / hotAir grilling / Centre surface grill	■ / ■ / ■	■ / ■ / ■	■ / ■ / ■	■ / ■ / ■	■ / ■ / ■
Pizza Setting / Bottom heat / Intensive heat	■ / ■ / -	■ / ■ / -	■ / ■ / -	■ / ■ / -	■ / ■ / -
Conventional / Conventional gentle	■ / ■	■ / ■	■ / ■	■ / ■	■ / ■
Keep warm / Plate warming	■ / ■	■ / ■	■ / ■	■ / ■	-
Low temperature cooking / Dehydrate	■ / -	■ / -	■ / ■	■ / -	-
pulseSteam / fullSteam Plus	- / -	- / -	■ / -	-	-
Dough proving / Reheating / Defrost	- / - / -	- / - / -	■ / ■ / -	-	-
PERFORMANCE / TECHNICAL INFORMATION					
Product dimensions H x W x D (mm)	595 x 594 x 548	595 x 594 x 548	595 x 594 x 548	595 x 594 x 548	595 x 594 x 548
Cavity capacity (litres)	71	67	71	71	71
Water tank volume (litres)	-	-	1	-	-
Maximum microwave power (W) ¹ / Number of power levels	- / -	800 / 5	- / -	- / -	- / -
Nominal voltage (volts)	220-240	220-240	220-240	220-240	220-240
Total connected loading (watts)	3600	3600	3600	3600	3600
Cable length (cm)	120	120	120	120	120
Minimum fuse protection	16A	16A	16A	16A	16A
Interior lights	■	■	■	■	■
Door glazing	Quadruple	Quadruple	Quadruple	Quadruple	Quadruple
STANDARD ACCESSORIES					
Full width enamelled pan / Wire shelves	1 / 2	1 / 2	1 / 2	1 / 2	1 / 2
Steam trays	-	-	-	-	-
Telescopic rails	■	■	■	■	■

■ Yes, model has this feature. - Feature not available for this model.

¹ For Inverter models, the maximum setting offers a time limited boost option for heating liquids. To ensure optimal results and to protect the appliance, the microwave power output is reduced in stages over the first few minutes down to the next power level (600W). After a cooling period, the microwave boost option will be available once more.

Data valid in this table as of October 2023. Subject to modification without prior notice.

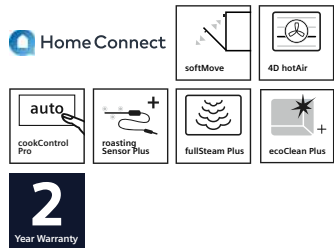
Single ovens

Home Connect



iQ700 HS758G3B1B

Single multi-function oven with steam function
Black with steel trim



Single ovens specifications

APPLIANCE TYPE	SINGLE OVEN WITH STEAM FUNCTION
Design family	iQ700
Model number	HS758G3B1B
DESIGN CHARACTERISTICS	
TFT Touchdisplay Pro	■
TFT Touchdisplay Plus	-
TFT Touchdisplay	-
softMove door opening and closing	■
SAFETY FEATURES	
Electronic control	■
Digital temperature display with proposal	■
Heating up indicator / Residual heat indicator	■ / ■
Control panel lock / Automatic safety switch off	■ / ■
KEY FEATURES	
Home Connect	■
Oven assistant with Voice control	■
varioSpeed	-
cookControl / cookControl Plus / cookControl Pro	- / - / ■
roastingSensor / roastingSensor Plus	- / ■
Oven shelf positions	5
CLEANING SYSTEM	
activeClean® pyrolytic oven cleaning	-
humidClean Plus	■
Back / roof / side ecoClean® Direct liners	ecoClean® Plus
PROGRAMMES / FUNCTIONS	
Number of heating methods	22
hotAir cooking (3D or 4D)	4D
Microwave (number of combination options)	-
coolStart / fast preheat	■ / ■
Full width surface grill / hotAir grilling / Centre surface grill	■ / ■ / ■
Pizza Setting / Bottom heat / Intensive heat	■ / ■ / ■
Conventional / Conventional gentle	■ / ■
Keep warm / Plate warming	■ / ■
Low temperature cooking / Dehydrate	■ / -
pulseSteam / fullSteam Plus	- / ■
Steam boost	■
Dough proving / Reheating / Defrost	■ / ■ / ■
PERFORMANCE / TECHNICAL INFORMATION	
Product dimensions H x W x D (mm)	595 x 594 x 548
Cavity capacity (litres)	71
Water tank volume (litres)	1
Maximum microwave power (W) ¹ / Number of power levels	- / -
Nominal voltage (volts)	220-240
Total connected loading (watts)	3600
Cable length (cm)	120
Minimum fuse protection	16A
Interior lights	■
Door glazing	■
STANDARD ACCESSORIES	
Full width enamelled pan / Wire shelves	1 / 2
Steam trays punched / unpunched	2 / 1
Telescopic rails	■

■ Yes, model has this feature. - Feature not available for this model.

¹ For Inverter models, the maximum setting offers a time limited boost option for heating liquids. To ensure optimal results and to protect the appliance, the microwave power output is reduced in stages over the first few minutes down to the next power level (600W). After a cooling period, the microwave boost option will be available once more.

Data valid in this table as of October 2023. Subject to modification without prior notice.

Home Connect



Home Connect



Home Connect



Single ovens specifications

APPLIANCE TYPE	SINGLE OVEN WITH STEAM FUNCTION	SINGLE OVEN	SINGLE OVEN
Design family	iQ700	iQ700	iQ700
Model number	HS736G1B1B	HB736G1B1B	HB732G1B1B
DESIGN CHARACTERISTICS			
TFT Touchdisplay Pro	-	-	-
TFT Touchdisplay Plus	■	■	-
TFT Touchdisplay	-	-	■
softMove door opening and closing	■	■	■
SAFETY FEATURES			
Electronic control	■	■	■
Digital temperature display with proposal	■	■	■
Heating up indicator / Residual heat indicator	■ / ■	■ / ■	■ / ■
Control panel lock / Automatic safety switch off	■ / ■	■ / ■	■ / ■
KEY FEATURES			
Home Connect	■	■	■
Oven assistant with Voice control	■	■	■
varioSpeed	-	-	-
cookControl / cookControl Plus / cookControl Pro	- / - / ■	- / ■ / -	- / ■ / -
roastingSensor / roastingSensor Plus	- / -	- / -	- / -
Oven shelf positions	5	5	5
CLEANING SYSTEM			
activeClean® pyrolytic oven cleaning	-	-	-
humidClean Plus	■	■	■
Back / roof / side ecoClean® Direct liners	ecoClean®	ecoClean®	ecoClean®
PROGRAMMES / FUNCTIONS			
Number of heating methods	21	13	10
hotAir cooking (3D or 4D)	4D	4D	3D
Microwave (number of combination options)	-	-	-
coolStart / fast preheat	■ / ■	■ / ■	■ / ■
Full width surface grill / hotAir grilling / Centre surface grill	■ / ■ / ■	■ / ■ / ■	■ / ■ / ■
Pizza Setting / Bottom heat / Intensive heat	■ / ■ / -	■ / ■ / -	■ / ■ / -
Conventional / Conventional gentle	■ / ■	■ / ■	■ / ■
Keep warm / Plate warming	■ / ■	■ / ■	- / -
Low temperature cooking / Dehydrate	■ / -	■ / -	- / -
pulseSteam / fullSteam Plus	- / -	- / -	- / -
Steam boost	■	-	-
Dough proving / Reheating / Defrost	■ / ■ / ■	- / - / -	- / - / -
PERFORMANCE / TECHNICAL INFORMATION			
Product dimensions H x W x D (mm)	595 x 594 x 548	595 x 594 x 548	595 x 594 x 548
Cavity capacity (litres)	71	71	71
Water tank volume (litres)	1	-	-
Maximum microwave power (W) ¹ / Number of power levels	- / -	- / -	- / -
Nominal voltage (volts)	220-240	220-240	220-240
Total connected loading (watts)	3600	3600	3600
Cable length (cm)	120	120	120
Minimum fuse protection	16A	16A	16A
Interior lights	■	■	■
Door glazing	■	■	■
STANDARD ACCESSORIES			
Full width enamelled pan / Wire shelves	1 / 2	1 / 2	1 / 2
Steam trays punched / unpunched	2 / 1	- / -	- / -
Telescopic rails	■	■	■

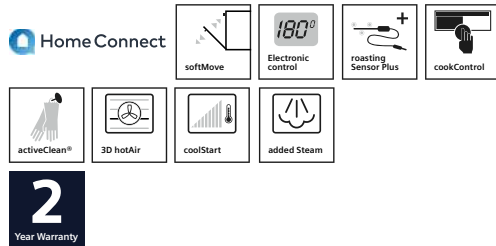
■ Yes, model has this feature. - Feature not available for this model.

¹ For Inverter models, the maximum setting offers a time limited boost option for heating liquids. To ensure optimal results and to protect the appliance, the microwave power output is reduced in stages over the first few minutes down to the next power level (600W). After a cooling period, the microwave boost option will be available once more.

Data valid in this table as of October 2023. Subject to modification without prior notice.

iQ500 HR578G5S6B

Single multi-function oven with addedSteam
Black, stainless steel



2
Year Warranty

Single ovens specifications

APPLIANCE TYPE	PYROLYTIC OVEN WITH ADDED STEAM
Design family	iQ500
Model number	HR578G5S6B
DESIGN CHARACTERISTICS	
TFT Touchdisplay Pro	-
TFT Touchdisplay Plus	-
TFT Touchdisplay	-
lightControl illuminated dials	■
softMove door opening and closing	■
SAFETY FEATURES	
Electronic control	■
Digital temperature display with proposal	■
Heating up indicator/ Residual heat indicator	■ / ■
Control panel lock / Automatic safety switch off	■ / ■
Door lock	■
KEY FEATURES	
Home Connect	■
roastingSensor Plus	-
bakingSensor Plus	-
roastingSensor	■
cookControl Plus	-
cookControl	30
CLEANING FUNCTIONS	
activeClean® pyrolytic oven cleaning	■
Back / roof / side ecoClean® Direct liners	- / - / -
ecoClean® setting	-
PROGRAMMES / FUNCTIONS	
hotAir cooking with hotAir gentle	3D
Microwave (number of combination options)	-
coolStart / fast preheat	■ / -
Full width surface grill / hotAir grilling / Centre surface grill	■ / ■ / -
Pizza Setting / Bottom heat / Intensive heat	■ / - / -
Conventional / Conventional gentle	■ / -
Keep warm / Plate warming	- / -
Low temperature cooking / Dehydrate	- / -
fullSteam / pulseSteam	- / -
addedSteam	■
Dough proving / Reheating / Defrost	- / ■ / -
Descaling programme / Cavity drying function	■ / -
PERFORMANCE / TECHNICAL INFORMATION	
Product dimensions H x W x D (mm)	595 x 594 x 548
Water tank capacity with empty indicator (litres)	0.2
Inverter technology	-
Maximum microwave power (W) ² / Number of power levels	-
Nominal voltage (volts)	220-240
Total connected loading (watts)	3600
Cable length (cm)	120
Minimum fuse protection	16A
Interior lights	1 x 25W halogen
Door glazing	Quadruple
ENERGY EFFICIENCY DATA¹	
Energy efficiency index	95.3
Energy efficiency class	A
Energy consumption per cycle hotAir (kWh)	0.81
Energy consumption per cycle conventional (kWh)	0.99
Oven capacity (litres)	71
Time to cook standard load (mins)	51
Largest baking sheet area (cm)	1290
STANDARD ACCESSORIES	
Full width enamelled pan / Wire shelves	1 / 2
Steam tray, perforated	-
Telescopic rails	1 x clip rail

■ Yes, model has this feature. – Feature not available for this model.
¹ According to Regulation (EU) No 65/2014 (models with integral microwave or steam only are exempt).
² For Inverter models, the maximum setting offers a time limited boost option for heating liquids. To ensure optimal results and to protect the appliance, the microwave power output is reduced in stages over the first few minutes down to the next power level (600W). After a cooling period, the microwave boost option will be available once more.
 Data valid in this table as of October 2023. Subject to modification without prior notice.



Single ovens specifications

APPLIANCE TYPE	PYROLYTIC OVEN	PYROLYTIC OVEN	OVEN WITH ECOCLEAN®
Design family	iQ500	iQ500	iQ500
Model number	HB578G5S6B	HB578A0S6B	HB535A0S0B
DESIGN CHARACTERISTICS			
TFT Touchdisplay Pro	-	-	-
TFT Touchdisplay Plus	-	-	-
TFT Touchdisplay	-	-	-
lightControl illuminated dials	■	■	■
softMove door opening and closing	■	-	-
SAFETY FEATURES			
Electronic control	■	■	-
Digital temperature display with proposal	■	■	-
Heating up indicator/ Residual heat indicator	■ / ■	■ / ■	■ / -
Control panel lock / Automatic safety switch off	■ / ■	■ / ■	■ / -
Door lock	■	■	-
KEY FEATURES			
Home Connect	■	■	-
roastingSensor Plus	-	-	-
bakingSensor Plus	-	-	-
roastingSensor	■	-	-
cookControl Plus	-	-	-
cookControl	30	30	10
CLEANING FUNCTIONS			
activeClean® pyrolytic oven cleaning	■	■	-
Back / roof / side ecoClean® Direct liners	- / - / -	- / - / -	■ / - / -
ecoClean® setting	-	-	-
PROGRAMMES / FUNCTIONS			
hotAir cooking with hotAir gentle	3D	3D	3D
Microwave (number of combination options)	-	-	-
coolStart / fast preheat	■ / -	■ / -	■ / -
Full width surface grill / hotAir grilling / Centre surface grill	■ / ■ / -	■ / ■ / -	■ / ■ / -
Pizza Setting / Bottom heat / Intensive heat	■ / - / -	■ / - / -	- / - / -
Conventional / Conventional gentle	■ / -	■ / -	■ / -
Keep warm / Plate warming	- / -	- / -	- / -
Low temperature cooking / Dehydrate	■ / -	■ / -	- / -
fullSteam / pulseSteam	- / -	- / -	- / -
addedSteam	-	-	-
Dough proving / Reheating / Defrost	- / - / -	- / - / -	- / - / -
Descaling programme / Cavity drying function	- / -	- / -	- / -
PERFORMANCE / TECHNICAL INFORMATION			
Product dimensions H x W x D (mm)	595 x 594 x 548	595 x 594 x 548	595 x 594 x 548
Water tank capacity with empty indicator (litres)	-	-	-
Inverter technology	-	-	-
Maximum microwave power (W) ² / Number of power levels	-	-	-
Nominal voltage (volts)	220-240	220-240	220-240
Total connected loading (watts)	3600	3600	3600
Cable length (cm)	120	120	120
Minimum fuse protection	16A	16A	16A
Interior lights	1 x 25W halogen	1 x 25W halogen	1 x 25W halogen
Door glazing	Quadruple	Quadruple	Double
ENERGY EFFICIENCY DATA¹			
Energy efficiency index	95.3	95.3	95.3
Energy efficiency class	A	A	A
Energy consumption per cycle hotAir (kWh)	0.81	0.81	0.81
Energy consumption per cycle conventional (kWh)	0.99	0.99	0.97
Oven capacity (litres)	71	71	71
Time to cook standard load (mins)	50	50	44
Largest baking sheet area (cm)	1290	1290	1290
STANDARD ACCESSORIES			
Full width enamelled pan / Wire shelves	1 / 2	1 / 2	1 / 2
Steam tray, perforated	-	-	-
Telescopic rails	1 x clip rail	1 x clip rail	1 x clip rail

■ Yes, model has this feature. – Feature not available for this model.
¹ According to Regulation (EU) No 65/2014 (models with integral microwave or steam only are exempt).
² For Inverter models, the maximum setting offers a time limited boost option for heating liquids. To ensure optimal results and to protect the appliance, the microwave power output is reduced in stages over the first few minutes down to the next power level (600W). After a cooling period, the microwave boost option will be available once more.
 Data valid in this table as of October 2023. Subject to modification without prior notice.



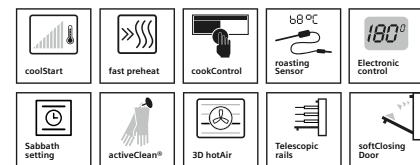
Double ovens

HomeConnect



iQ500 MB578G5S6B

Double oven with activeClean®
Black, stainless steel



2 Year Warranty

Double ovens specifications

APPLIANCE TYPE	BUILT-IN	
	iQ500	
Display family	iQ500	
Model number	MB578G5S6B	
DESIGN CHARACTERISTICS	MAIN	2ND
Black glass with steel trim	■	■
Glass and metal fascia	■	■
lightControl illuminated dials	■	■
Standard bar handle	■	■
Telescopic shelf rail	1 x varioClip	–
SAFETY FEATURES	MAIN	2ND
Electronic control	■	■
Digital temperature display with proposal	■	–
Actual temperature display	–	–
Heating up indicator	■	■
Residual heat indicator	■	■
Control panel lock	■	■
Automatic safety switch off	■	–
Automatic on/off programmer	■	–
FEATURES	MAIN	2ND
Home Connect	■	■
cookControl	30	–
roastingSensor	■	–
CLEANING SYSTEM	MAIN	2ND
Pyrolytic cleaning	■	■
Back / roof / side ecoClean® liners	–	–
ecoClean® setting	–	–
PROGRAMMES / FUNCTIONS	MAIN	2ND
hotairGentle	■	–
3D hotAir cooking	–	–
Defrosting	–	–
Full width surface grill	■	■
Centre surface grill	–	–
Hot air grilling	■	–
coolStart	■	–
Pizza setting	■	–
Conventional top & bottom heating	■	■
Bottom heat	■	■
Low temperature cooking	■	–
Rapid pre-heating	■	–
FEATURES	MAIN	2ND
Electronic clock timer	■	–
Internal light	1 x 25W halogen	1 x 25W halogen
Smooth enamelled oven interior	■	■
Full glass inner door	■	■
Door glazing	4	4
Number of shelf positions	5	3
softClose door	■	–
PERFORMANCE / TECHNICAL INFORMATION	MAIN	2ND
Cavity dimensions H x W x D (mm)	357 x 480 x 415	166 x 480 x 426
Product dimensions H x W x D (mm)	888 x 594 x 550	
Nominal voltage (V) / Total connected loading (W)	220-240 / 6300	
Cable length (cm) / Minimum Fuse Protection	– / 32A	
ENERGY EFFICIENCY CLASS ¹	MAIN	2ND
Energy efficiency Index	95.3	120.3
Energy efficiency class	A	B
Energy consumption per cycle hot air (kWh)	0.81	–
Energy consumption per cycle conventional (kWh)	0.97	0.83
Oven capacity (litres)	71	34
Time to cook standard load (mins)	44	45
Largest baking sheet area (cm)	1290	1290
STANDARD ACCESSORIES	MAIN	2ND
Full width enamelled pan / wire shelves	1 / 3	

■ Yes, model has this feature. – Feature not available for this model.

¹ According to Regulation (EU) No 65/2014 (models with integral microwave or steam only are exempt)

Data valid in this table as of October 2023. Subject to modification without prior notice.



Double ovens specifications

APPLIANCE TYPE	BUILT-IN		BUILT-IN		BUILT-UNDER	
	iQ500		iQ500		iQ500	
Display family	iQ500		iQ500		iQ500	
Model number	MB557G5S0B		MB535A0S0B		NB535A8S0B	
DESIGN CHARACTERISTICS	MAIN	2ND	MAIN	2ND	MAIN	2ND
Black glass with steel trim	■	■	■	■	■	■
Glass and metal fascia	■	■	■	■	■	■
lightControl illuminated dials	■	■	■	■	■	■
Standard bar handle	■	■	■	■	■	■
Telescopic shelf rail	1 x varioClip	–	1 x varioClip	–	–	–
SAFETY FEATURES	MAIN	2ND	MAIN	2ND	MAIN	2ND
Electronic control	–	–	–	–	–	–
Digital temperature display with proposal	–	–	–	–	–	–
Actual temperature display	–	–	–	–	–	–
Heating up indicator	■	–	■	–	■	–
Residual heat indicator	–	–	–	–	–	–
Control panel lock	■	■	■	■	■	■
Automatic safety switch off	–	–	–	–	–	–
Automatic on/off programmer	■	–	■	–	■	–
FEATURES	MAIN	2ND	MAIN	2ND	MAIN	2ND
Home Connect	–	–	–	–	–	–
cookControl	10	–	10	–	–	–
roastingSensor	■	–	–	–	–	–
CLEANING SYSTEM	MAIN	2ND	MAIN	2ND	MAIN	2ND
Pyrolytic cleaning	–	–	–	–	–	–
Back / roof / side ecoClean® liners	■ / ■ / ■	■ / ■ / ■	■ / – / –	■ / ■ / ■	■ / – / –	■ / ■ / ■
ecoClean® setting	–	–	–	–	–	–
PROGRAMMES / FUNCTIONS	MAIN	2ND	MAIN	2ND	MAIN	2ND
hotairGentle	■	–	■	–	■	–
3D hotAir cooking	■	–	■	–	■	–
Defrosting	–	–	–	–	–	–
Full width surface grill	■	■	■	■	■	■
Centre surface grill	–	–	–	–	–	–
Hot air grilling	■	–	■	–	■	–
coolStart	–	–	–	–	–	–
Pizza setting	■	–	–	–	–	–
Conventional top & bottom heating	■	■	■	■	■	■
Bottom heat	■	■	–	■	–	■
Low temperature cooking	–	–	–	–	–	–
Rapid pre-heating	■	–	■	–	■	–
FEATURES	MAIN	2ND	MAIN	2ND	MAIN	2ND
Electronic clock timer	■	■	■	■	■	■
Internal light	1 x 25W halogen	1 x 25W halogen	1 x 25W halogen	1 x 25W halogen	1 x 25W halogen	1 x 25W halogen
Smooth enamelled oven interior	■	■	■	■	■	■
Full glass inner door	■	■	■	■	■	■
Door glazing	3	3	2	3	2	3
Number of shelf positions	5	3	5	3	3	3
softClose door	■	–	–	–	–	–
PERFORMANCE / TECHNICAL INFORMATION	MAIN	2ND	MAIN	2ND	MAIN	2ND
Cavity dimensions H x W x D (mm)	357 x 480 x 415	166 x 480 x 426	357 x 480 x 415	166 x 480 x 426	237 x 480 x 415	166 x 480 x 426
Product dimensions H x W x D (mm)	–		–		–	
Nominal voltage (V) / Total connected loading (W)	220-240 / 6200		220-240 / 6200		220-240 / 5600	
Cable length (cm) / Minimum Fuse Protection	– / –		– / –		– / –	
ENERGY EFFICIENCY CLASS ¹	MAIN	2ND	MAIN	2ND	MAIN	2ND
Energy efficiency Index	95.3	120.3	95.3	120.3	94.7	120.3
Energy efficiency class	A	B	A	B	A	B
Energy consumption per cycle hot air (kWh)	0.81	–	0.81	–	0.71	–
Energy consumption per cycle conventional (kWh)	0.97	0.83	0.97	0.83	0.80	0.83
Oven capacity (litres)	71	34	71	34	47	34
Time to cook standard load (mins)	44	45	44	45	45	45
Largest baking sheet area (cm)	1290	1290	1290	1290	1290	1290
STANDARD ACCESSORIES	MAIN	2ND	MAIN	2ND	MAIN	2ND
Full width enamelled pan / wire shelves	1 / 3		1 / 3		1 / 2	

■ Yes, model has this feature. – Feature not available for this model.

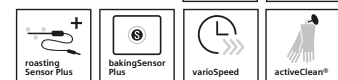
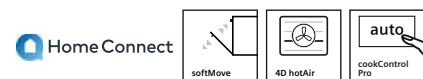
¹ According to Regulation (EU) No 65/2014 (models with integral microwave or steam only are exempt)

Data valid in this table as of October 2023. Subject to modification without prior notice.

Compact ovens

iQ700 CM778GNB1B

Compact pyrolytic oven with integral microwave
Black with steel trim



Compact ovens specifications

APPLIANCE TYPE	COMPACT OVEN WITH MICROWAVE FUNCTION
Design family	iQ700
Model number	CM778GNB1B
DESIGN CHARACTERISTICS	
TFT Touchdisplay Pro	■
TFT Touchdisplay Plus	-
TFT Touchdisplay	-
softMove door opening and closing	■
SAFETY FEATURES	
Electronic control	■
Digital temperature display with proposal	■
Heating up indicator / Residual heat indicator	- / ■
Control panel lock / Automatic safety switch off	■ / ■
Door lock	■
KEY FEATURES	
Home Connect	■
Oven assistant with Voice control	■
varioSpeed	■
cookControl / cookControl Plus / cookControl Pro	- / - / ■
roastingSensor / roastingSensor Plus	- / ■
bakingSensor Plus	■
Oven shelf positions	3
CLEANING SYSTEM	
activeClean® pyrolytic oven cleaning	■
humidClean Plus	-
Back / roof / side ecoClean® Direct liners	- / - / -
Drying programme	■
Cleaning and descaling programme	-
COOKING PROGRAMMES	
Number of heating methods	21
hotAir cooking (3D or 4D)	4D
Microwave (combination)	■
coolStart / fast preheat	■ / ■
Full width grill / Half width grill / hotAir grilling	■ / ■ / ■
Pizza Setting / Bottom heat / Intensive heat	■ / ■ / ■
Conventional / Conventional gentle	■ / ■
Keep warm / Plate warming	■ / ■
Low temperature cooking / Dehydrate	■ / ■
pulseSteam / fullSteam Plus	- / -
steamBoost	-
Dough proving / reheating / defrost	- / - / -
PERFORMANCE / TECHNICAL INFORMATION	
Product dimensions H x W x D (mm)	455 x 594 x 548
Cavity capacity (litres)	45
Water tank volume (litres)	-
Nominal voltage (volts)	220-240
Total connected loading (watts)	3600
Maximum microwave power (W) ¹ / Number of power levels	900 / 5
Cable length (cm)	150
Minimum fuse protection	16A
Interior lights	■
Door glazing	■
STANDARD ACCESSORIES	
Full width enamelled pan / Wire shelves	1 / 2
Steam trays	-
Telescopic rails	1 level

■ Yes, model has this feature. - Feature not available for this model.

¹ For Inverter models, the maximum setting offers a time limited boost option for heating liquids. To ensure optimal results and to protect the appliance, the microwave power output is reduced in stages over the first few minutes down to the next power level (600W). After a cooling period, the microwave boost option will be available once more.

Data valid in this table as of October 2023. Subject to modification without prior notice.

Home Connect



Compact ovens specifications

APPLIANCE TYPE	COMPACT OVEN WITH MICROWAVE FUNCTION	COMPACT OVEN WITH MICROWAVE FUNCTION	COMPACT OVEN WITH STEAM FUNCTION	COMPACT OVEN WITH MICROWAVE FUNCTION
Design family	iQ700	iQ700	iQ700	iQ700
Model number	CM776G1B1B	CM736G1B1B	CS736G1B1	CM724G1B1B
DESIGN CHARACTERISTICS				
TFT Touchdisplay Pro	-	-	-	-
TFT Touchdisplay Plus	■	■	■	-
TFT Touchdisplay	-	-	-	■
softMove door opening and closing	■	■	■	■
SAFETY FEATURES				
Electronic control	■	■	■	■
Digital temperature display with proposal	■	■	■	■
Heating up indicator / Residual heat indicator	■ / ■	■ / ■	■ / ■	- / ■
Control panel lock / Automatic safety switch off	■ / ■	- / ■	■ / ■	- / ■
Door lock	■	-	■	-
KEY FEATURES				
Home Connect	■	■	■	■
Oven assistant with Voice control	■	■	■	■
varioSpeed	■	■	-	■
cookControl / cookControl Plus / cookControl Pro	- / - / ■	- / - / ■	- / - / ■	- / - / ■
roastingSensor / roastingSensor Plus	- / -	- / -	- / -	- / -
bakingSensor Plus	-	-	-	-
Oven shelf positions	3	3	3	3
CLEANING SYSTEM				
activeClean® pyrolytic oven cleaning	■	-	-	-
humidClean Plus	-	-	■	-
Back / roof / side ecoClean® Direct liners	- / - / -	ecoClean®	ecoClean®	-
Drying programme	■	■	■	■
Cleaning and descaling programme	-	-	■	-
COOKING PROGRAMMES				
Number of heating methods	19	19	21	15
hotAir cooking (3D or 4D)	4D	4D	4D	2D
Microwave (combination)	■	■	-	■
coolStart / fast preheat	■ / ■	■ / ■	■ / ■	- / -
Full width grill / Half width grill / hotAir grilling	■ / ■ / ■	■ / ■ / ■	■ / ■ / ■	■ / ■ / ■
Pizza Setting / Bottom heat / Intensive heat	■ / ■ / -	■ / ■ / -	■ / ■ / -	- / ■ / -
Conventional / Conventional gentle	■ / ■	■ / ■	■ / ■	■ / ■
Keep warm / Plate warming	■ / ■	■ / ■	■ / ■	- / ■
Low temperature cooking / Dehydrate	■ / -	■ / -	■ / -	- / -
pulseSteam / fullSteam Plus	- / -	- / -	- / ■	- / -
steamBoost	-	-	■	-
Dough proving / reheating / defrost	- / - / -	- / - / -	■ / ■ / ■	- / - / -
PERFORMANCE / TECHNICAL INFORMATION				
Product dimensions H x W x D (mm)	455 x 594 x 548	455 x 594 x 548	455 x 594 x 548	455 x 594 x 548
Cavity capacity (litres)	45	45	47	45
Water tank volume (litres)	-	-	1	-
Nominal voltage (volts)	220-240	220-240	220-240	220-240
Total connected loading (watts)	3600	3600	3300	3600
Maximum microwave power (W) ¹ / Number of power levels	900 / 5	900 / 5	- / -	900 / 5
Cable length (cm)	150	150	150	150
Minimum fuse protection	16A	16A	16A	16A
Interior lights	■	■	■	■
Door glazing	■	■	■	■
STANDARD ACCESSORIES				
Full width enamelled pan / Wire shelves	1 / 1	1 / 1	1 / 1	1 / 1
Steam trays	-	-	3	-
Telescopic rails	-	-	■	-

■ Yes, model has this feature. - Feature not available for this model.

¹ For Inverter models, the maximum setting offers a time limited boost option for heating liquids. To ensure optimal results and to protect the appliance, the microwave power output is reduced in stages over the first few minutes down to the next power level (600W). After a cooling period, the microwave boost option will be available once more.

Data valid in this table as of October 2023. Subject to modification without prior notice.

Home Connect



Home Connect



Home Connect

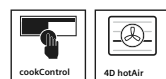


Home Connect



iQ500 CM575AGS0B

Compact oven with microwave function
Black with steel trim



Compact ovens specifications

APPLIANCE TYPE	COMPACT OVEN WITH MICROWAVE FUNCTION
Design family	iQ500
Model number	CM585AGS0B
DESIGN CHARACTERISTICS	
TFT Touchdisplay Pro	-
TFT Touchdisplay Plus	-
TFT Touchdisplay	-
LCD display with lightControl illuminated dials	■
softMove door opening and closing	-
SAFETY FEATURES	
Electronic control	■
Digital temperature display with proposal	-
Heating up indicator / Residual heat indicator	- / -
Control panel lock / Automatic safety switch off	■ / ■
Door lock	-
KEY FEATURES	
Home Connect	-
roastingSensor Plus	-
bakingSensor Plus	-
cookControl	15
cookControl Plus	-
CLEANING FUNCTIONS	
activeClean® pyrolytic oven cleaning	-
Back / roof / side ecoClean® Direct liners	- / - / -
ecoClean® setting	-
PROGRAMMES / FUNCTIONS	
hotAir cooking with hotAir gentle	Standard
Microwave (number of combination options)	2
coolStart / Pre-heating	- / -
Full width surface grill / Hot air grilling / Centre surface grill	■ / - / -
Pizza setting / Bottom heat / Intensive heat	- / - / -
Conventional / Conventional eco	- / -
Low temperature cooking / Keep warm	■ / -
fullSteam / pulseSteam	- / -
addedSteam	-
Dough proving / Reheating / Defrost	- / - / -
Cleaning & Descaling programme / Drying	- / -
PERFORMANCE / TECHNICAL INFORMATION	
Product dimensions H x W x D (mm)	455 x 594 x 570
Water tank capacity with empty indicator (litres)	-
Inverter technology	-
Maximum microwave power (W) ² / Number of power levels	900 / 5
Nominal voltage (volts)	220-240
Total connected loading (watts)	3350
Cable length (cm)	180
Minimum fuse protection	16A
Interior lights	■
Door glazing	Double
ENERGY EFFICIENCY DATA¹	
Energy efficiency index	-
Energy efficiency class	-
Energy consumption per cycle hotAir (kWh)	-
Energy consumption per cycle conventional (kWh)	-
Oven capacity (litres)	44
Time to cook standard load (mins)	-
Largest baking sheet area (cm)	-
STANDARD ACCESSORIES	
Full width enamelled pan / Wire shelves	- / -
Steam tray, perforated (S,L,XL) / unperforated (S,L,XL)	-
Telescopic rails	-

■ Yes, model has this feature. - Feature not available for this model.

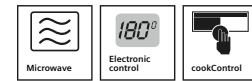
¹ According to Regulation (EU) No 65/2014 (models with integral microwave or steam only are exempt).
² For Inverter models, the maximum setting offers a time limited boost option for heating liquids. To ensure optimal results and to protect the appliance, the microwave power output is reduced in stages over the first few minutes down to the next power level (600W). After a cooling period, the microwave boost option will be available once more.

Data valid in this table as of October 2023. Subject to modification without prior notice.

Microwaves

iQ700 CE732GXB1B

Microwave oven with grill
Black with steel trim



Microwave specifications

APPLIANCE TYPE	MICROWAVE OVEN WITH GRILL
Design family	iQ700
Model number	CE732GXB1B
DESIGN CHARACTERISTICS	
TFT Touchdisplay Pro	–
TFT Touchdisplay Plus	–
TFT Touchdisplay	■
Side opening door (left hinged)	–
Control panel position	Top, horizontal
CONTROLS	
Electronic control	■
Automatic programmes	■
Safety switch off	–
KEY FEATURES	
Home Connect	–
Oven assistant with Voice control	–
Installation in wall unit / tall housing	■ / ■
Electronic clock	–
ClearText Display	–
Full glass inner door	–
Glazed door (Quadruple/Triple/Double)	Double
Maximum cooking time duration (mins)	90
Stainless steel interior	■
Microwave	■
Quartz grill	■
Microwave / grill combination	■
cookControl / cookControl Plus / cookControl Pro	■ / – / –
PERFORMANCE / TECHNICAL INFORMATION	
Product dimensions H x W x D (mm)	455 x 594 x 564
Oven capacity (litres)	36
Maximum microwave power (W) ¹	1000
Number of microwave power levels	5
Nominal voltage (volts)	220-240
Total connected load (kWh)	3100
Cable length cm	150
Minimum fuse protection	16A
GB plug	■
STANDARD ACCESSORIES	
Glass pan / Insert grid	– / –

■ Yes, model has this feature. – Feature not available for this model.

¹ For Inverter models, the maximum setting offers a time limited boost option for heating liquids. To ensure optimal results and to protect the appliance, the microwave power output is reduced in stages over the first few minutes down to the next power level (600W). After a cooling period, the microwave boost option will be available once more.

Data valid in this table as of October 2023. Subject to modification without prior notice.



Microwave specifications

APPLIANCE TYPE	MICROWAVE
Design family	iQ700
Model number	BF722L1B1B
DESIGN CHARACTERISTICS	
TFT touchdisplay Pro	–
TFT touchdisplay Plus	–
TFT touchdisplay	■
Side opening door (left hinged)	■
Control panel position	Bottom, horizontal
CONTROLS	
Electronic control	■
Automatic programmes	■
Safety switch off	–
KEY FEATURES	
Home Connect	–
Oven assistant with Voice control	–
Installation in wall unit / tall housing	■ / ■
Electronic clock	–
ClearText Display	–
Full glass inner door	–
Glazed door (Quadruple/Triple/Double)	Double
Maximum cooking time duration (mins)	90
Stainless steel interior	■
Microwave	■
Quartz grill	–
Microwave / grill combination	–
cookControl / cookControl Plus / cookControl Pro	■ / – / –
PERFORMANCE / TECHNICAL INFORMATION	
Product dimensions H x W x D (mm)	382 x 594 x 318
Oven capacity (litres)	21
Maximum microwave power (W) ¹	900
Number of microwave power levels	5
Nominal voltage (volts)	220-240
Total connected load (kWh)	1220
Cable length cm	175
Minimum fuse protection	16A
GB plug	■
STANDARD ACCESSORIES	
Glass pan / Insert grid	– / –

■ Yes, model has this feature. – Feature not available for this model.

¹ For Inverter models, the maximum setting offers a time limited boost option for heating liquids. To ensure optimal results and to protect the appliance, the microwave power output is reduced in stages over the first few minutes down to the next power level (600W). After a cooling period, the microwave boost option will be available once more.

Data valid in this table as of October 2023. Subject to modification without prior notice.



iQ500 BF555LMS0B

Microwave
Black with steel trim



Microwave specifications

APPLIANCE TYPE	MICROWAVE
Design family	iQ500
Model number	BF555LMS0B
Black glass with steel trim	■
DESIGN CHARACTERISTICS	
Stainless steel navigation control dial	-
TFT Display	-
touchControl	touchSlider
Side opening door	■
Control panel position	Right, vertical
CONTROLS	
Electronic control	■
Automatic programmes	7
Safety switch off	■
PROGRAMMES / FUNCTIONS	
Microwave	■
Quartz Grill	-
Microwave / grill combination	-
FEATURES	
Installation in wall unit / tall housing	- / ■
Full width frameless design	■
Electronic clock	■
ClearText Display	LED
Full glass inner door	-
Glazed door (Quadruple/Triple/Double)	-
Memory settings	1
Maximum cooking time duration (mins)	99
Electronic door opening	■
Hinge	Left
Internal light	1 x 3W LED
Stainless steel interior	■
PERFORMANCE / TECHNICAL INFORMATION	
Cavity H x W x D (mm)	208 x 328 x 369
Appliance dimensions H x W x D (mm)	382 x 594 x 388
Oven capacity (litres)	25
Inverter technology	-
Maximum Microwave power (W) ¹	900
Number of Microwave power levels	5
Microwave distribution	Turntable
Turntable diameter (mm)	315
Total connected load (kWh)	1.45
Cable length (cm)	130
GB plug	■
Minimum fuse protection	10A
STANDARD ACCESSORIES	
Glass pan / Insert grid	- / -

■ Yes, model has this feature. - Feature not available for this model.

¹ For Inverter models, the maximum setting offers a time limited boost option for heating liquids. To ensure optimal results and to protect the appliance, the microwave power output is reduced in stages over the first few minutes down to the next power level (600W). After a cooling period, the microwave boost option will be available once more.

Data valid in this table as of October 2023. Subject to modification without prior notice.



Microwave specifications

APPLIANCE TYPE	MICROWAVE
Design family	iQ500
Model number	BF525LMS0B
Black glass with steel trim	■
DESIGN CHARACTERISTICS	
Stainless steel navigation control dial	-
TFT Display	-
touchControl	touchSlider
Side opening door	■
Control panel position	Right, vertical
CONTROLS	
Electronic control	■
Automatic programmes	7
Safety switch off	■
PROGRAMMES / FUNCTIONS	
Microwave	■
Quartz Grill	-
Microwave / grill combination	-
FEATURES	
Installation in wall unit / tall housing	201 x 308 x 282
Full width frameless design	382 x 594 x 317
Electronic clock	20
ClearText Display	-
Full glass inner door	800
Glazed door (Quadruple/Triple/Double)	5
Memory settings	Turntable
Maximum cooking time duration (mins)	255
Electronic door opening	1.27
Hinge	130
Internal light	■
Stainless steel interior	10A
PERFORMANCE / TECHNICAL INFORMATION	
Cavity H x W x D (mm)	201 x 308 x 282
Appliance dimensions H x W x D (mm)	382 x 594 x 317
Oven capacity (litres)	20
Inverter technology	-
Maximum Microwave power (W) ¹	800
Number of Microwave power levels	5
Microwave distribution	Turntable
Turntable diameter (mm)	255
Total connected load (kWh)	1.27
Cable length (cm)	130
GB plug	■
Minimum fuse protection	10A
STANDARD ACCESSORIES	
Glass pan / Insert grid	- / -

■ Yes, model has this feature. - Feature not available for this model.

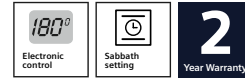
¹ For Inverter models, the maximum setting offers a time limited boost option for heating liquids. To ensure optimal results and to protect the appliance, the microwave power output is reduced in stages over the first few minutes down to the next power level (600W). After a cooling period, the microwave boost option will be available once more.

Data valid in this table as of October 2023. Subject to modification without prior notice.

Warming drawers

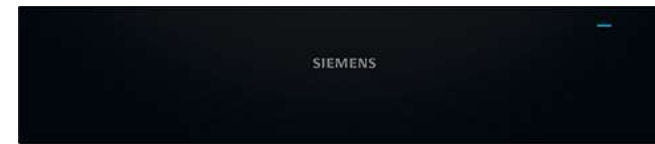
iQ700 BI710D1B1B

Warming drawer
Black



iQ500 BI510CNROB

Warming drawer
Black



	Home Connect		
	WARMING DRAWER	WARMING DRAWER	ACCESSORY DRAWER
Model number	BI710D1B1B	BI710C1B1B	BI710E1B1
Design family	iQ700	iQ700	iQ700
KEY FEATURES & FUNCTIONS			
Home Connect	■	■	-
Operating indicator light	■	■	-
Electronic control	■	■	-
Rotary temperature dial	-	-	-
Touch control illuminated	■	■	-
Maximum temperature (C°)	80	80	-
Minimum temperature (C°)	30	30	-
Maximum capacity - plates	40	12	14
Maximum capacity - espresso cups	192	64	64
Toughened glass base	■	■	Anti-slip mat
Plate and cup warming	■	■	-
Keep warm	■	■	-
Defrost	■	■	-
Low temperature cooking	■	■	-
TECHNICAL INFORMATION			
Appliance Dimensions (H x W x D mm)	290 x 594 x 518	140 x 594 x 518	140 x 594 x 518
Install independently	■	■	■
Install with compact appliance	iQ700	iQ700	iQ700
Install with a single oven	iQ700	iQ700	iQ700
Push-Pull opening mechanism	■	■	■
Drawer interior volume (L)	54	20	20
Installation in a tall housing	■	■	■
Installation under work surface	■	■	■
Maximum weight capacity (kg)	25	25	15
Total connected loading (kW)	0.82	0.82	-
Cable length (in cm)	175	175	-
Minimum fuse protection	10A	10A	-
GB plug	■	■	-

■ Yes, model has this feature. - Feature not available for this model.

Data valid in this table as of October 2023. Subject to modification without prior notice.

	WARMING DRAWER
Model number	BI510CNROB
Design family	All iQ500 models
KEY FEATURES & FUNCTIONS	
Operating indicator light	■
Electronic control	-
Rotary temperature control dial	■
Number of temperature settings	3
Number of vacuum seal time settings	-
Number of vacuum sealing levels – bags / containers	-
Glass safety lid	-
Maximum temperature (C°)	80
Minimum temperature (C°)	40
Maximum capacity – plates	14
Maximum capacity – espresso cups	64
Toughened glass base	Anti-slip mat
Vacuum Drawer	-
Plate warming	■
Hold Warm	■
Defrost	■
Low temperature cooking	-
TECHNICAL INFORMATION	
Install independently	■
Install with compact appliance	iQ500
Install with a single oven	iQ500
Push-Pull opening mechanism	■
Drawer interior volume (litres)	23
Installation in a tall housing	■
Installation under work surface	■
Maximum weight capacity (kg)	15
Total connected loading (kW)	0.40
Cable length (in cm)	150
Appliance Dimensions (H x W x D mm)	100 x 475 x 490
Minimum Fuse Protection	6A
GB plug	■

■ Yes, model has this feature. - Feature not available for this model.

Data valid in this table as of October 2023. Subject to modification without prior notice.

Smart kitchen dock

XSDS10B

Smart kitchen dock
Slate black



Smart kitchen dock specifications

APPLIANCE TYPE	SMART KITCHEN DOCK
Model number	XSDS10B
DESIGN CHARACTERISTICS	
Colour	Slate black
KEY FEATURES	
Home Connect	■
Dock your own device	■**
Gesture control	■
Alexa built-in	■
Privacy setting	-
PERFORMANCE / TECHNICAL INFORMATION	
Product dimensions H x W x D (mm)	124 x 200 x 139
Speaker output	2 x 6 W
Number of microphones	4
Connectivity type	Bluetooth
Interfaces	USB
Supported smart devices	Smart phone, tablet*
Power consumption standby/network	2.0 W
Voltage maximum (V)	12
Music player format	AAC, Apple, MP3, MPEG 4, Opus, SBC, Vorbis

■ Yes, model has this feature. – Feature not available for this model.
*Selected apps only
**The Smart Kitchen Dock is compatible with smartphones and tablets with iOS 15 or higher and Android 11 or higher.

Data valid in this table as of October 2023. Subject to modification without prior notice.



Download and install Home Connect App

Partners brought to you by Home Connect

Home Connect amazon alexa



Accessories



HZ86S000 Glass serving dish



HZ629070 Air fryer and grill tray in anthracite



HZ530000 Two-piece half depth enamelled pan set



HZ638000 1 level telescopic shelf rails with stop, fully extendible



HZ6BMA00 Metal platform and brackets



HZ538000 Level independent varioClip telescopic rails

Optional accessories

		IQ700		IQ500		
		Single Ovens	45cm Compact Ovens	Single Ovens	Compact Ovens	Double Ovens*
AIR FRYING, ROASTING & BAKING ACCESSORIES						
HZ86S000	Glass serving dish - approx 40 x 25cm - for iQ700 ovens and compact ovens and iQ500 ovens	■	■	■	-	■
HZ629070	Air fryer and grill tray in anthracite. Required for Air Fry Function, required for Air Fry Function (function not available as standard, requires download via Home Connect), for iQ700 ovens	■	■	-	-	-
HZ530000	2 piece half depth enamelled pan set	■	-	-	-	-
TELESCOPIC RAILS						
HZ638000	1 level telescopic shelf rails with stop, fully extendible, for non pyrolytic*, non-full steam iQ700 ovens*	■*	■*	-	-	-
HZ638070	Level independent telescopic shelf rails with stop, fully extendible, for iQ700 pyrolytic ovens*	■*	■*	-	-	-
HZ638D00	Level independent telescopic shelf rails with stop, fully extendible, for iQ700 steam ovens*	■*	■*	-	-	-
HZ538000	1 pair of level independent varioClip telescopic rails for iQ500 single and double ovens	-	-	■	-	■
INSTALLATION ACCESSORIES						
HZ6BMA00	Metal platform and brackets suited to combinations of iQ700 60cm Single ovens and 45cm Compact ovens in column (special single aperture required)	■	■	-	-	-
HZ66X600	Cosmetic decor strip for use between 60cm single and 45cm compact ovens	■	■	■	■	-

■ Yes, compatible. - No, not compatible.

*Main cavity only
Optional accessories not suited for use during pyrolytic cleaning unless stated
Data valid in this table as of October 2023. Subject to modification without prior notice.



Model shown:
CT718L1B0 built-in coffee centre with TFT touchDisplay Pro

Pure precision for perfect coffee indulgence

Immerse yourself in the world of Siemens coffee.

Kick-start your day or finish it in a relaxed mood in the evening. No matter how or when you prefer to enjoy your coffee Siemens has the right model. Such pleasure is made possible by the interaction of all components – a result of our years of experience and strong commitment to research and development.

Pure precision for perfect coffee indulgence with our built-in coffee machine.

Stunningly, uniquely Siemens, our iQ700 built-in coffee centre conveys an elegant impression of absolute quality and intelligent innovation for those passionate about coffee.

The design of the iQ700 coffee centre is perfectly aligned with the entire iQ700 series. To keep the sleek lines looking clean, all milk, water and bean containers are conveniently hidden behind the coffee centre's door, while the TFT touchDisplay and LED lights put each coffee in the spotlight.

Designed with easy access to the water tank, bean holder and insulated milk jug, the coffee centre has front access thanks to a hinged front panel – so you can quickly replace the water or beans. The milk tubes are also cleaned with steam after every coffee with milk and as most of the components are removable and dishwasher safe, they are also easy to clean. Easy to install, the machine requires no extra plumbing.



oneTouch function

No matter what coffee speciality you desire, whether it is a latte macchiato, creamy cappuccino or extra-strong espresso, thanks to the oneTouch Function your fully automatic coffee machine can serve you up pure coffee indulgence at just the touch of a button – it is as easy as that. The system prepares coffee and milk specialities automatically – just how you like them. The perfect technology for a thoroughly indulgent coffee experience.



sensoFlow system

Different coffees require the espresso shot to be heated at a different temperature in order to achieve the perfect results. sensoFlow does this automatically, providing you with a delicious beverage again and again.

Enjoy the wide world of coffee.

With Siemens bean-to-cup coffee machines and Built-in model with Home Connect, you can discover the world of great coffee in just one app: access exclusive coffee drinks and intuitive remote functions directly with a smartphone or tablet.

Home Connect

Explore new coffee beverages, by selecting drinks through the app, design coffee playlists so you and your guests can personalise your own drink preferences and remotely send the order to the machine so they are automatically prepared one after the other.

You can select your coffee with coffeeWorld on your smart device, or ask your voice assistant to make it for you. You will even receive push notifications from your machine, for example, when the beans are running low or when the machine needs cleaning.

Connected partners including Amazon Alexa, allow you to ask your coffee machine to make you a drink just by voice control whilst IFTTT allows you to create bespoke applets so that you can connect your coffee machine to other smart home appliances and create your own personalised routine.



iQ700 CT718L1B0

Built-in coffee centre
Black



Built-in coffee centre specifications

APPLIANCE TYPE	COFFEE CENTRES – BUILT-IN
Design family	iQ700
Model number	CT718L1B0
TFT touchDisplay Pro	■
TFT touchDisplay	–
KEY FEATURES	
Home Connect	■
Electronic control	■
sensoFlow System	■
AromaDoubleShot	■
Automatic steam blast milk cleaning function	■
oneTouch preparation	■
Ceramic coffee grinders	■
Multilevel grinding setting	■
Cup illumination	■
Height adjustable coffee & milk outlets (mm)	■
Integrated water filter	Optional
PROGRAMMES / FUNCTIONS	
Type of beverages	21
my Coffee - personalised beverage settings	1 or 2 cup
Milk foam	1 or 2 cup
Hot water	1 or 2 cup
Warm milk	1 or 2 cup
Ristretto	1 or 2 cup
Coffee	1 or 2 cup
Espresso	1 or 2 cup
Cappuccino	1 or 2 cup
Latte Macchiato	1 or 2 cup
Caffe latte	1 or 2 cup
Espresso Macchiato	1 or 2 cup
One touch function for milk drinks	■
Coffee / Hot water temperature options	3 / 4
Milk foam / frothing function	■ / ■
Warm Milk function	■
Cleaning / descaling / programmes	■ / ■
Automatic rinse when switched on/off	■ / ■
PERFORMANCE / TECHNICAL INFORMATION	
Installation in a tall housing	■
Side opening door (left hinged)	■
Bean container capacity (g)	500
Ground coffee container	■
Water tank capacity (litres)	2.4
Total connected loading (W)	1500
Nominal voltage (volts)	220-240
Fuse protection	10A
Cable length (in cm)	170
STANDARD ACCESSORIES	
Insulated Milk container capacity (litres)	0.5
Milk pipe	■

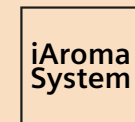
■ Yes, model has this feature. – Feature not available for this model.
Data valid in this table as of October 2023. Subject to modification without prior notice.



UnEQualled coffee shop experiences

Model shown: TQ907GB3 EQ900 S700 fully automatic espresso machine

The Siemens iAroma System



Experience the unique iAroma System available with Siemens fully automatic espresso machines: Innovative features seamlessly work together to guarantee the perfect taste and long-lasting product.



The long-lasting ceramic grinder creates the ideal ground coffee for perfect aroma.



The intelligent flow heater guarantees the perfect temperature every time.



The smart water pump – for the right water pressure every time.



The high-tech brewing unit creates great aroma thanks to its fine-tuned and precision controlled brewing operation.

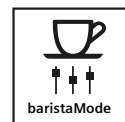
At home. In style

Open your personal coffee bar and enjoy delicious barista-style drinks at home with our EQ freestanding bean-to-cup coffee machines.

Discover the world of cafe culture with the exciting range of EQ fully automatic bean-to-cup coffee machines designed for those that settle for nothing less than exceptional coffee.

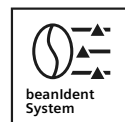
With intelligent iAroma technology, 3 key innovations are combined together in a high quality brewing unit to deliver truly sensational tasting beverages. These intuitive appliances stand out on any premium kitchen surface with their stunning design, elegant display panels and optimal usability. From the entry-level compact EQ300 models to the fine-tuned Wi-Fi-connected EQ900 models, rediscover your love for outstanding coffee with the Siemens EQ range.

Our top of the range machine: EQ900 S700



baristaMode: individualise your coffee creation

There are five essential parameters of baristaMode that contribute to the quality of coffee and espresso: coffee strength, amount, temperature, coffee-to-milk ratio and brewing speed. By switching to baristaMode, you can make even finer, fully customised adjustments to please any coffee taste. This optimised setting lets you celebrate the fine art of coffee preparation.



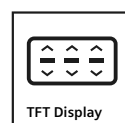
beanIdent System: Get the most out of every roast

Many factors influence the flavour profile of a coffee bean. The region where it is cultivated, with its specific climate and soil, as well as the type of roasting, all play a part. The beanIdent System optimally adjusts all brewing settings to ensure the full aromas are extracted. Simply enter the variety and roasting level and let the EQ900 work its magic.



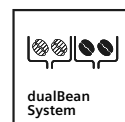
oneTouch DoubleCup

Impress your guests with the simultaneous preparation of two coffee-milk specialities at once. Most of our range has an integrated coffee and milk outlet with double spouts, giving you a little more time to share your delicious coffee with friends.



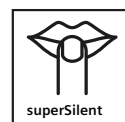
TFT display

With a large, clear and colourful TFT display and disc control manage your drink preference easily and simply with our EQ900 S700 machine.



dualBean System: separate bean containers for a pure taste

Two separate coffee bean containers, each with its own grinder, ensure that your beans never get mixed up and guarantee that the desired flavour will always be achieved.



superSilent

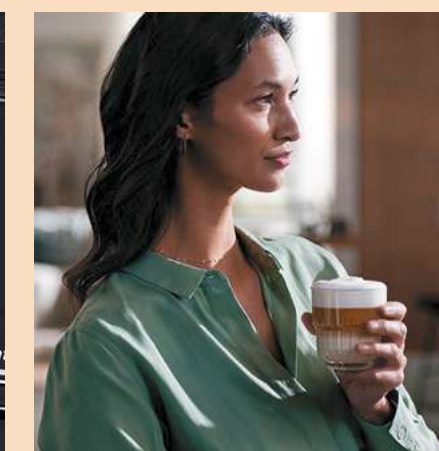
Optimised soundproofing enables the most remarkable noise reduction.



Perfect pleasure at the touch of a button: oneTouch function.



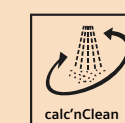
For longer-lasting coffee indulgence: calc'nClean.



For busy mornings and tired evenings: Drinks on demand.



No matter what coffee speciality you desire, whether it is latte macchiato, creamy cappuccino or extra-strong espresso, thanks to the oneTouch Function your fully automatic coffee machine can serve you up pure coffee indulgence at the touch of a button.



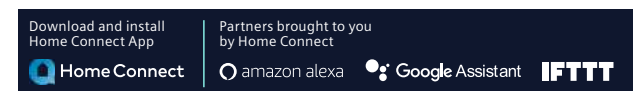
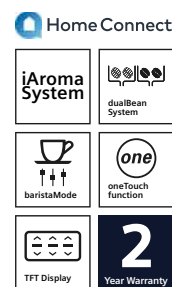
Maximise beverage quality, product lifetime and overall hygiene of your EQ coffee machine with the combined cleaning and descaling program. Easy to use, calc'nClean provides a thorough clean and rinse, keeping your machine perfectly clean inside.

All our coffee machines have a minimum of 4 pre-set drinks available to select from the display. From the EQ300 models that have the option of Americano, Cappuccino, Espresso and Latte Macchiato all the way through to the top EQ700 model that offers all of these plus 7 more drink options. Through the Home Connect App, you are able to pick from an even wider ever-growing range of beverage options.

Freestanding coffee machines

TQ907GB3

EQ900 S700 Fully Automatic Espresso Machine
Stainless steel



Model shown: TQ907GB3 EQ900 S700 fully automatic espresso machine

Freestanding bean-to-cup coffee machine specifications



	EQ900 S700	EQ900 S500	EQ900 S300	EQ700	
				EQ700 Int. Fully Automatic Espresso Machine	EQ700 Classic+ Fully Automatic Espresso Machine
Model name	EQ900 S700	EQ900 S500	EQ900 S300	EQ700 Int. Fully Automatic Espresso Machine	EQ700 Classic+ Fully Automatic Espresso Machine
Model number	TQ907GB3	TQ905GB3	TQ903GB9	TQ703GB7	TP705GB1
FEATURES					
Material / finish	Stainless steel front and body	Stainless steel front and body	Piano black front, stainless steel	Inox silver & black	Morning haze & black
SensioFlow Heater	■	■	■	■	■
Ceramic grinder	Ceramdrive	Ceramdrive	Ceramdrive	Ceramdrive	Ceramdrive
Milk solution	Integrated	Integrated	Integrated	Integrated	Milk Pipe
beardent System	■	-	-	-	-
Bean container capacity (g)	270g and 250g	375g	375g	350g	350g
Water tank capacity (litres)	2.3	2.3	2.3	2.4	2.4
One touch drinks	■	■	■	■	■
Removable brewing unit	■	■	■	■	■
Beverage choice	21	21	21	18	18
Display	TFT	TFT	TFT	iSelect Display	iSelect Display
Pump Pressure	19 bar	19 bar	19 bar	19 bar	19 bar
oneTouch DoubleCup	incl. milky drinks	incl. milky drinks	incl. milky drinks	incl. milky drinks	incl. milky drinks
Strength settings	Barista Mode	Barista Mode	Barista Mode	4	4
Temperature settings	Barista Mode	Barista Mode	Barista Mode	0	0
Cup size settings	Barista Mode	Barista Mode	Barista Mode	4	4
Coffee-milk ratio adjusts	■	■	■	■	■
Noise level	Super silent	Super silent	Super silent	Quiet	Quiet
Number of bean grinders	2	1	1	1	1
Connectivity	Home Connect	Home Connect	Home Connect	Home Connect	Home Connect
User Profiles	10	10	3	10	10
Cup warmer	■	■	-	-	-
Bean lid rubber seal	■	■	■	-	-
Brewing unit type	Spindle	Spindle	Spindle	Spindle	Spindle
Service door access	Side	Side	Side	Side	Side
Barista mode	■	■	■	Aroma Select	Aroma Select
Cup illumination	■	■	■	■	■

■ Yes, model has this feature. - Feature not available for this model.

Data valid in this table as of October 2023. Subject to modification without prior notice.

Freestanding bean-to-cup coffee machine specifications



	EQ500+	EQ500	EQ300	
	Home Connect Fully Automatic Espresso Machine	Fully Automatic Espresso Machine	Fully Automatic Espresso Machine	Fully Automatic Espresso Machine
Model name	EQ500+ Home Connect Fully Automatic Espresso Machine	EQ500 Fully Automatic Espresso Machine	EQ300+ Fully Automatic Espresso Machine	EQ300 Fully Automatic Espresso Machine
Model number	TQ518GB3	TQ513GB1	TF303G07	TF301G19
FEATURES				
Material / finish	Black steel front	Silver lacquer front	Lacquer front	Piano black
SensioFlow Heater	■	■	■	■
Ceramic grinder	Ceramdrive	Ceramdrive	1 x ceramic	1 x ceramic
Milk solution	Integrated	Integrated	Milkperfect	Milkperfect
Bean container capacity (g)	270g	270g	250g	250g
Water tank capacity (litres)	1.7	1.7	1.4	1.4
One touch drinks	■	■	■	■
Removable brewing unit	■	■	■	■
Beverage choice	10	10	4 + Milk Foam	4 + Milk Foam
Display	TFT / touch	TFT / touch	Text & symbol	Text & symbol
Pump Pressure	15 bar	15 bar	15 bar	15 bar
oneTouch DoubleCup	■	Black only	Black only	-
Strength settings	5	5	5	3
Temperature settings	3	3	1	1
Cup size settings	5	5	-	-
Coffee-milk ratio adjusts	-	-	-	-
Noise level	Quiet	Quiet	Standard	Standard
Number of bean grinders	1	1	1	1
Connectivity	-	-	-	-
User Profiles	0	-	-	-
Cup warmer	-	-	-	-
Bean lid rubber seal	-	-	-	-
Brewing unit type	-	Spindle	Spindle	Spindle
Service door access	-	Front	Front	Front
Barista mode	-	-	-	-
Cup illumination	-	-	-	-

■ Yes, model has this feature. - Feature not available for this model.

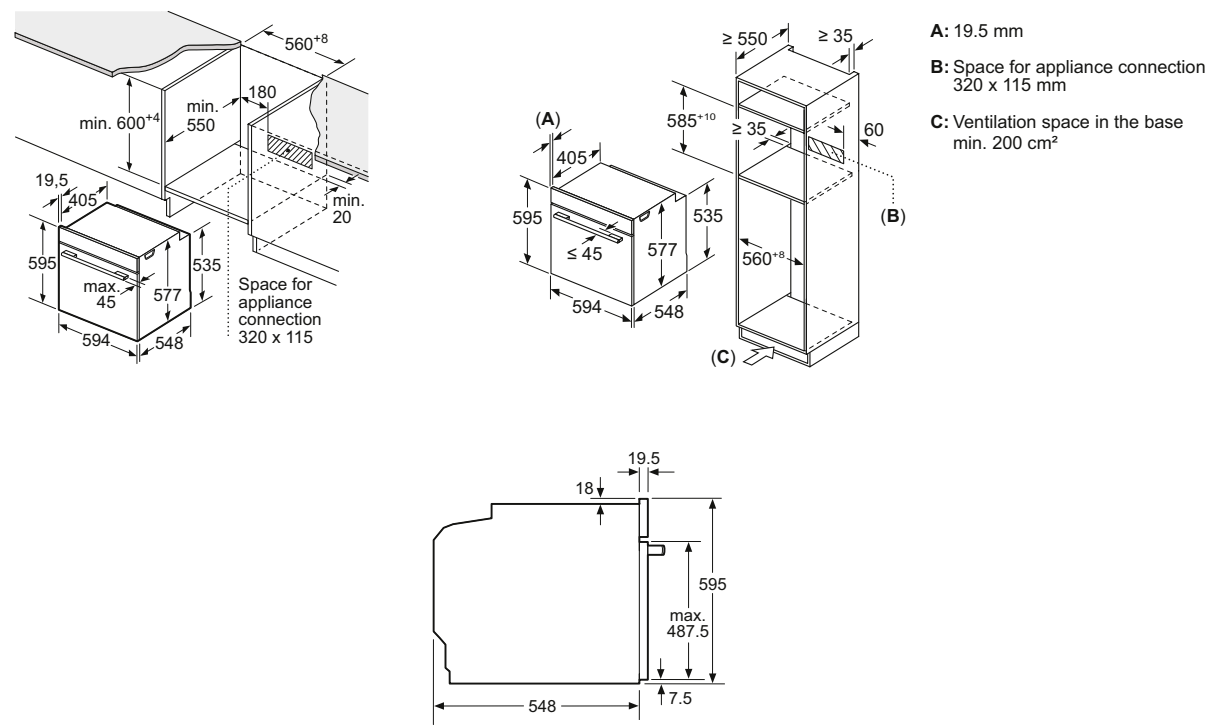
Data valid in this table as of October 2023. Subject to modification without prior notice.

For specification details, please visit siemens-home.bsh-group.com/uk and download a full specification sheet.

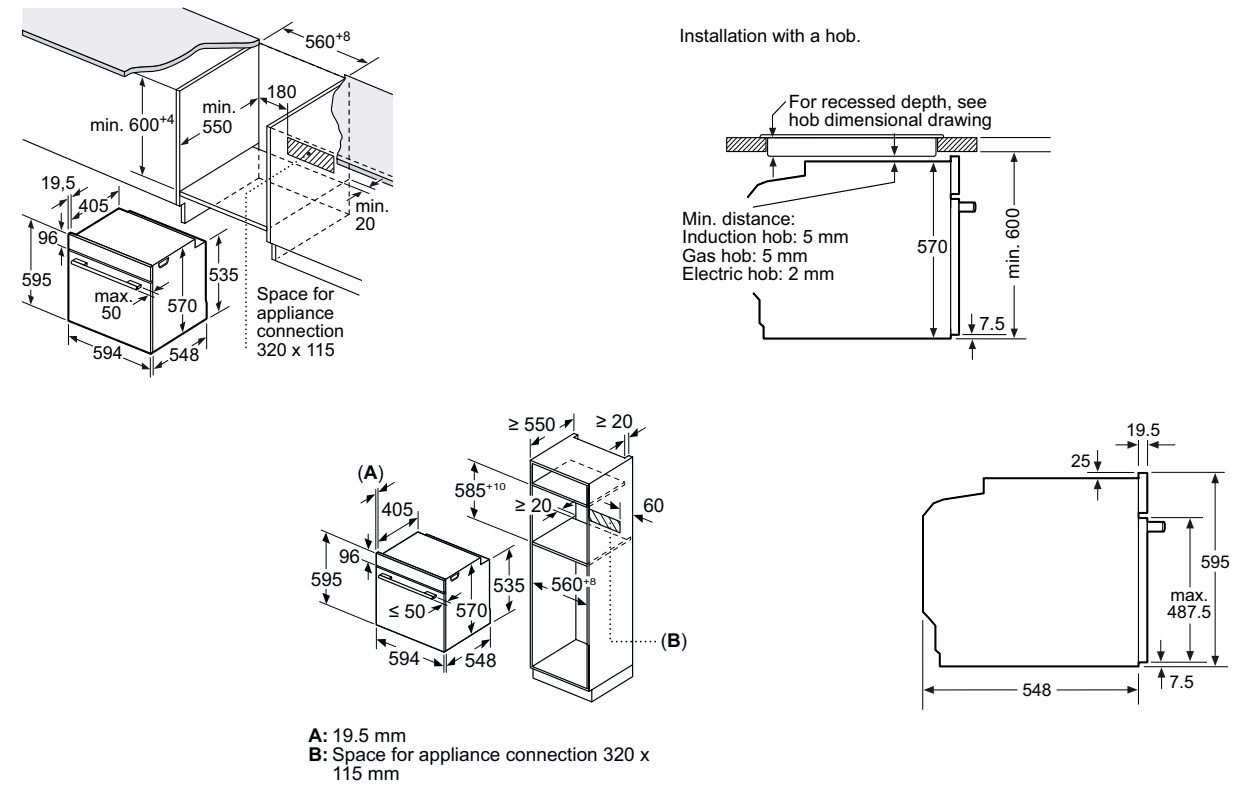
For the full range of accessories, please visit our online accessory shop at siemens-home.bsh-group.com/uk/shop or call our Spares Department on 0344 892 8999.

Oven technical diagrams

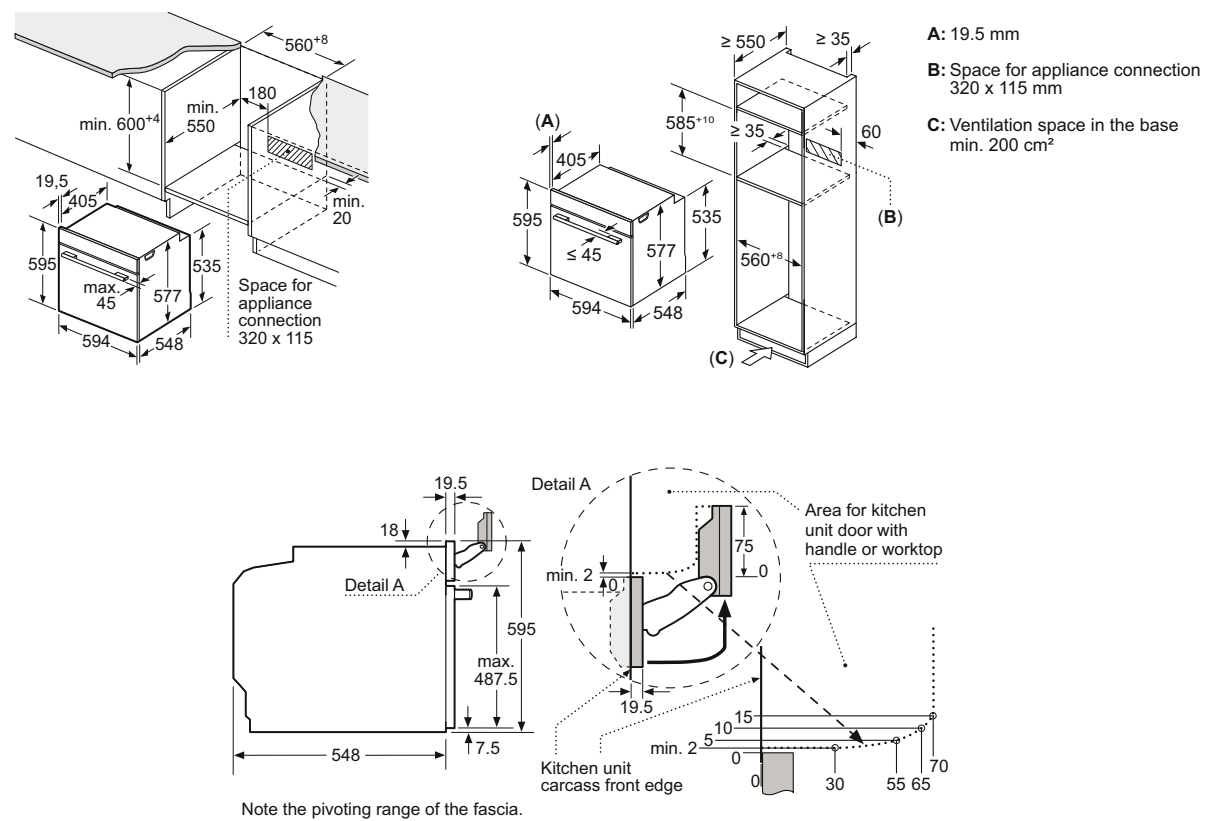
Single ovens HM778GMB1B, HB778G3B1B, HM776G1B1B, HB776G1B1B, HB736G1B1B, HB772G1B1B and HB732G1B1B



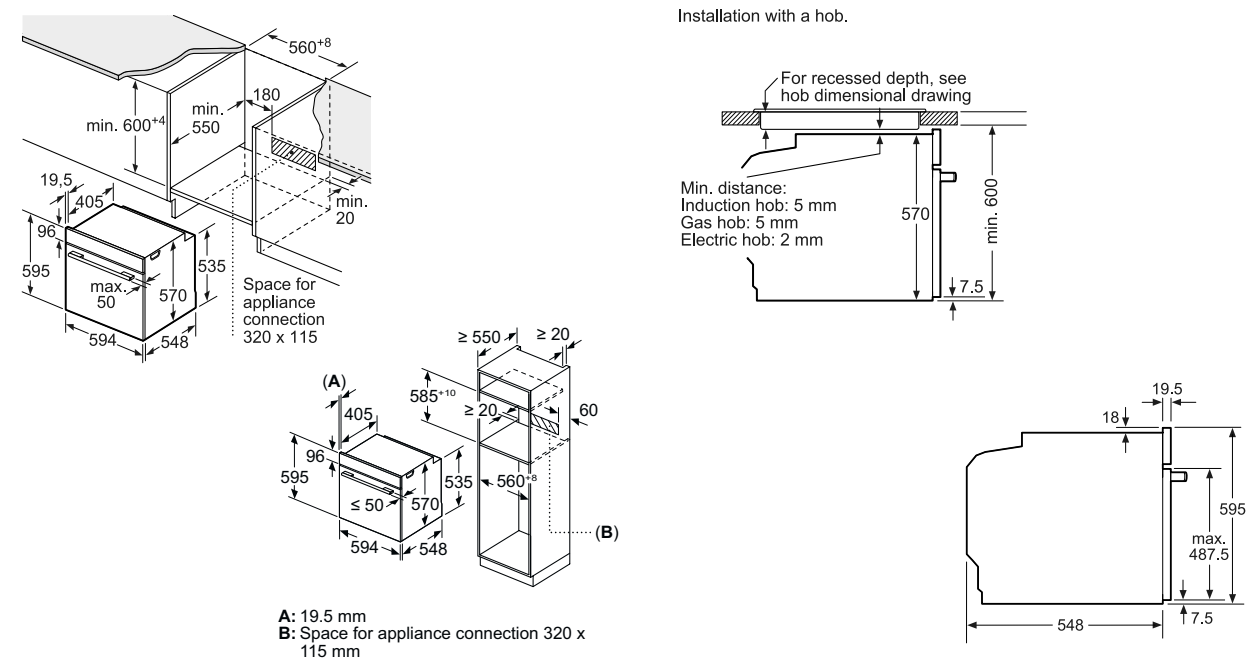
Single ovens HR578G5S6B and HB578G5S6B



Single ovens HS758G3B1B, HR776G1B1B and HS736G1B1B

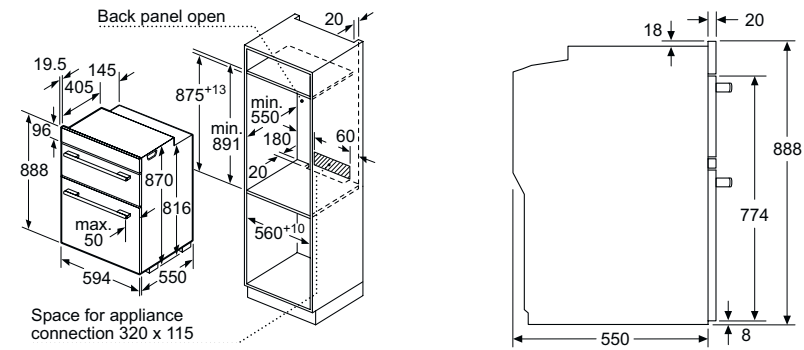


Single ovens HB578A0S6B and HB535A0S0B

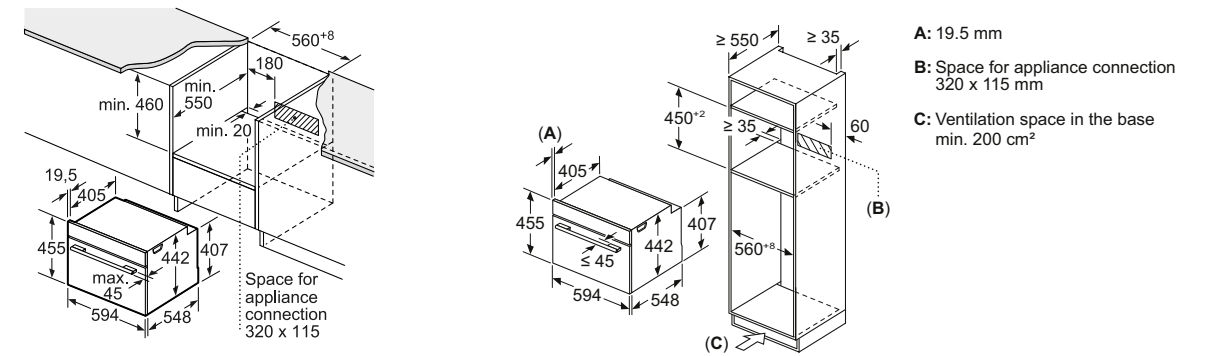


Oven technical diagrams

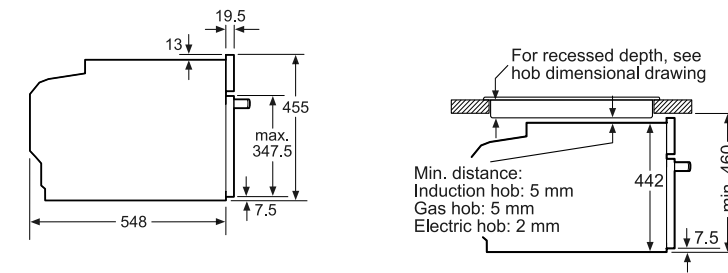
Double ovens MB578G5S6B, MB557G5S0B and MB535A0S0B



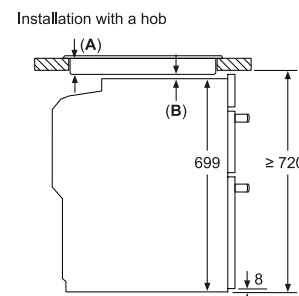
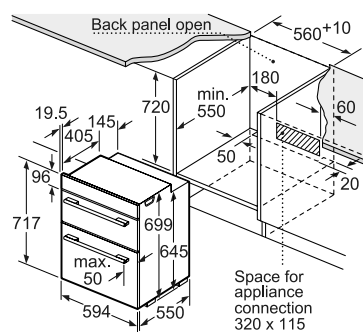
Compact ovens CM778GNB1B, CM776G1B1B, CM736G1B1B and CM724G1B1B



Installation with a hob.



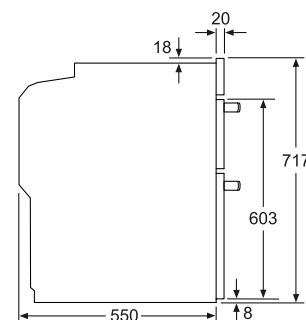
Built-under double oven NB535ABS0B



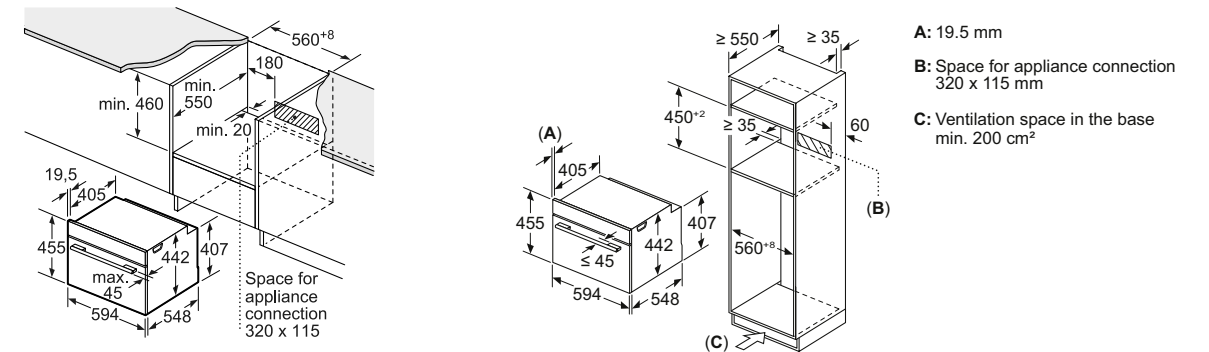
A: Recessed depth 29-50 mm. See hob dimensional drawing.
B: Min. distance:
Induction hob: 5 mm
Gas hob: 5 mm
Electric hob: 2 mm

If the appliance will be installed underneath a hob, the following worktop thicknesses (including substructure if necessary) must be taken into account.

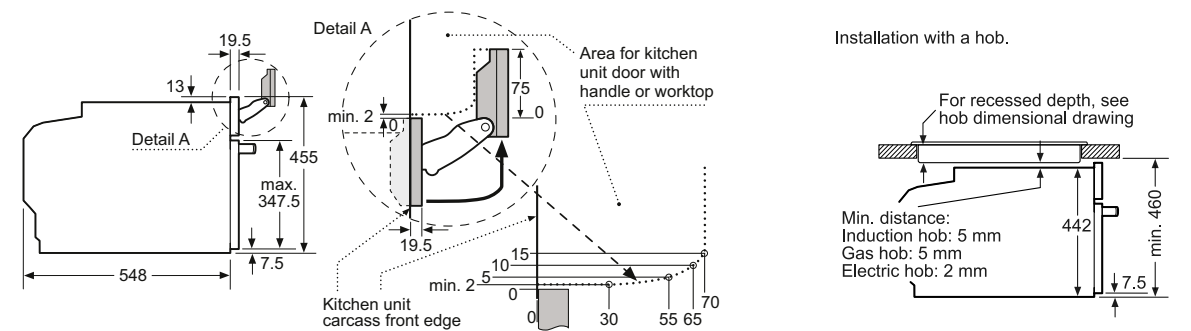
Hob type	min. worktop thickness	
	fitted	flush
Induction hob	39 mm	40 mm
Full surface induction hob	49 mm	50 mm
Gas hob	29 mm	36 mm
Electric hob	29 mm	32 mm



Compact oven CS736G1B1



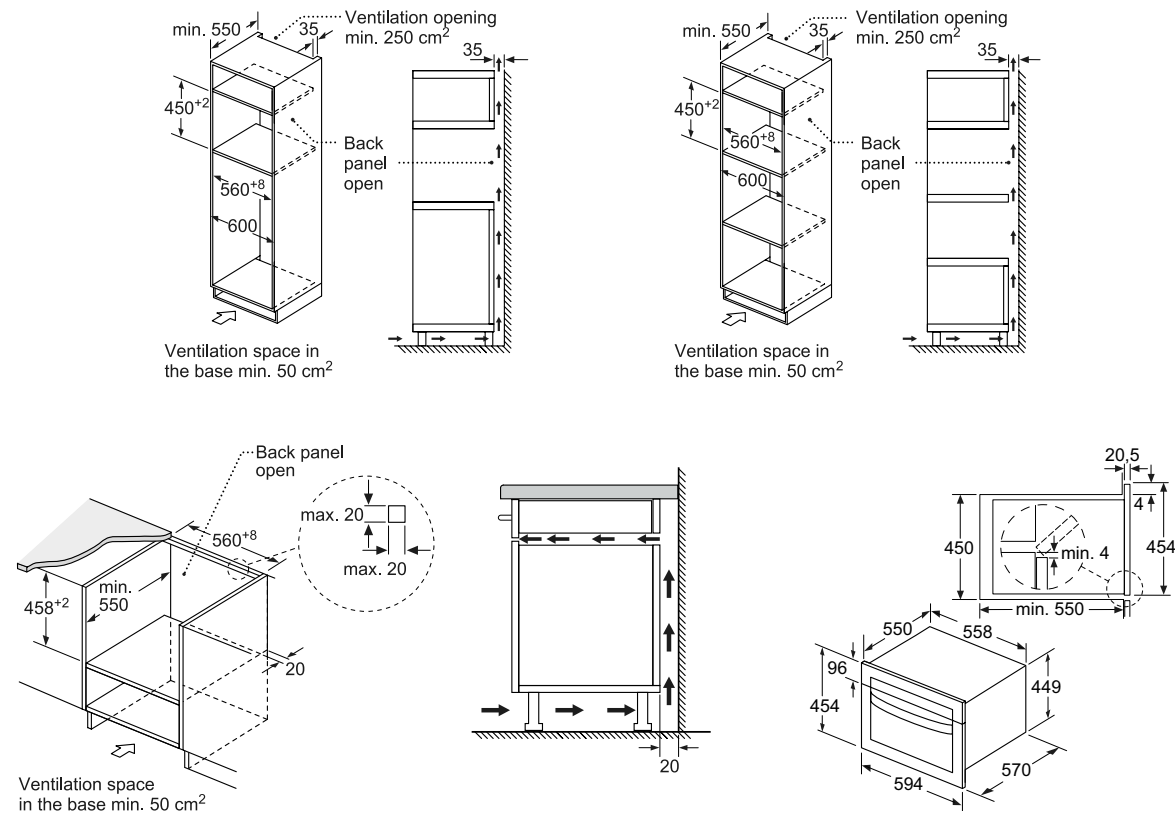
Installation with a hob.



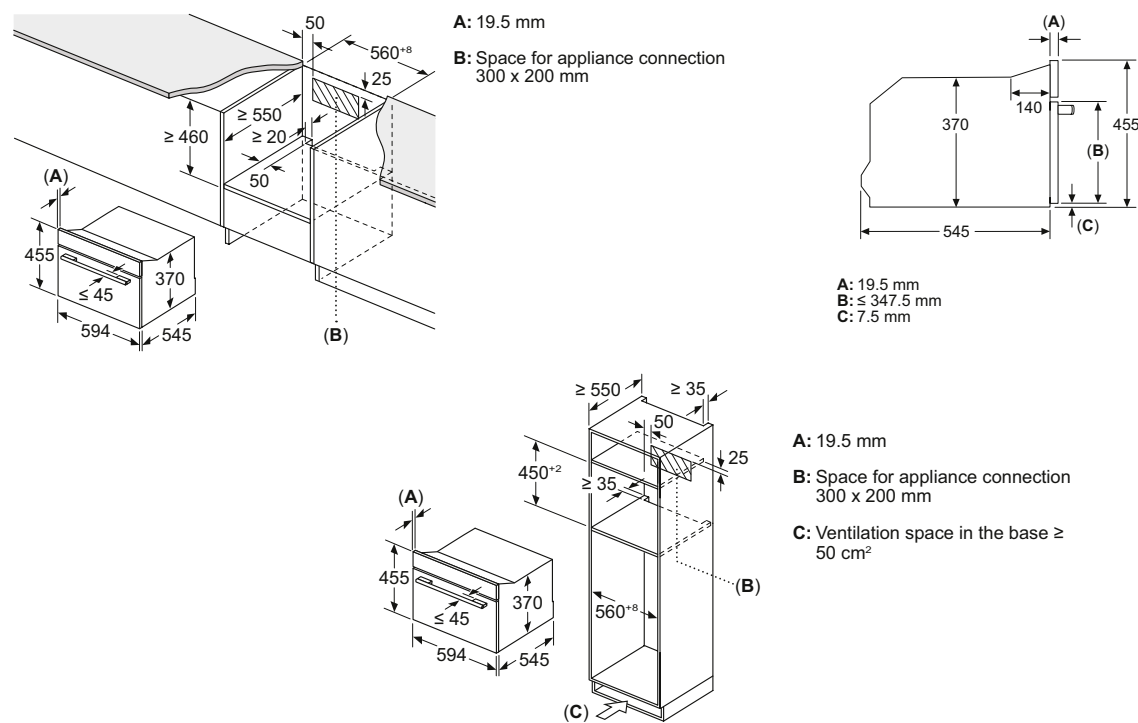
Note the pivoting range of the fascia.

Oven technical diagrams

Compact microwave combination CM585AGS0B

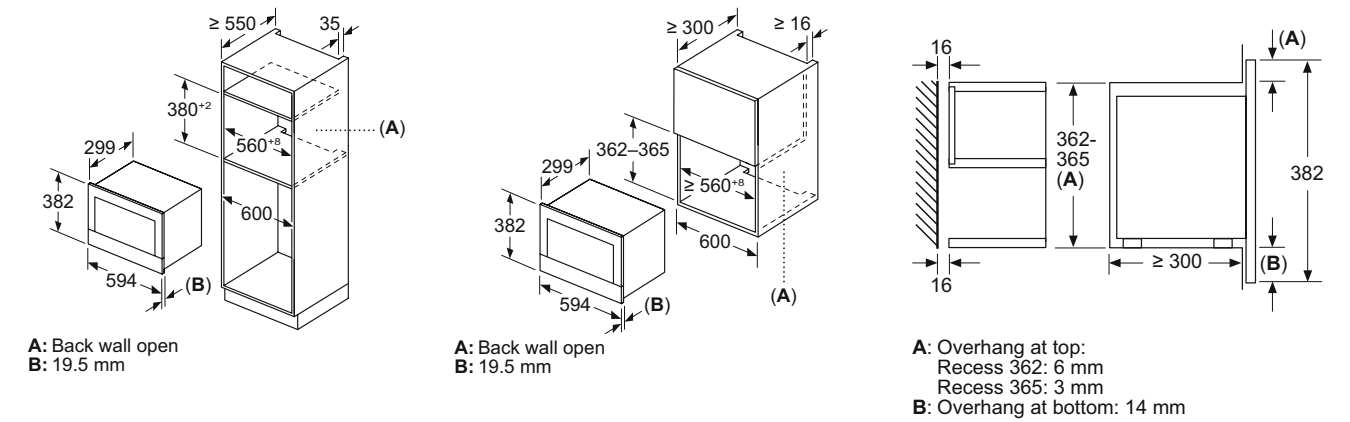


Compact microwave oven CE732GXB1B

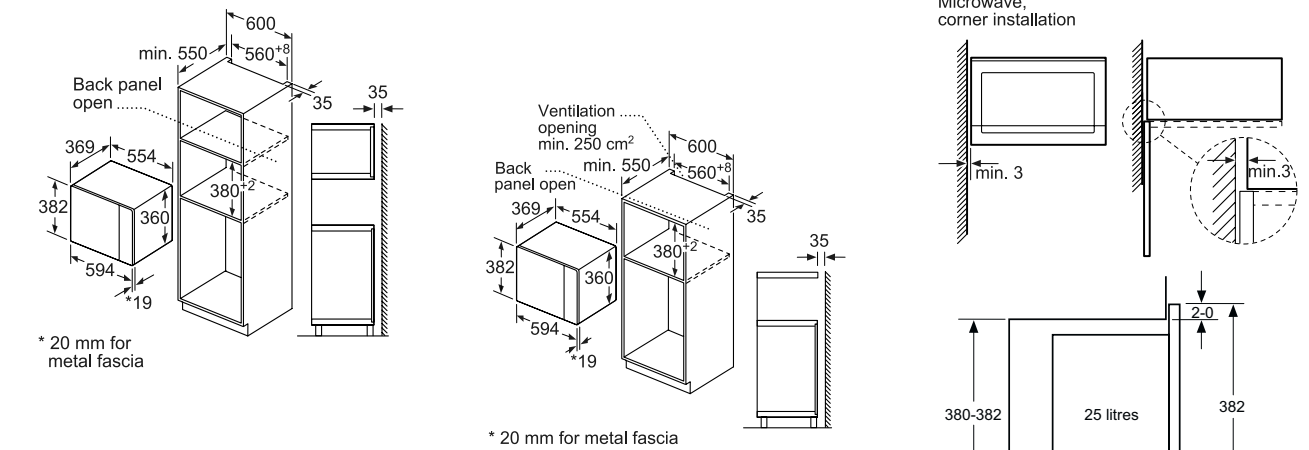


Microwave oven technical diagrams

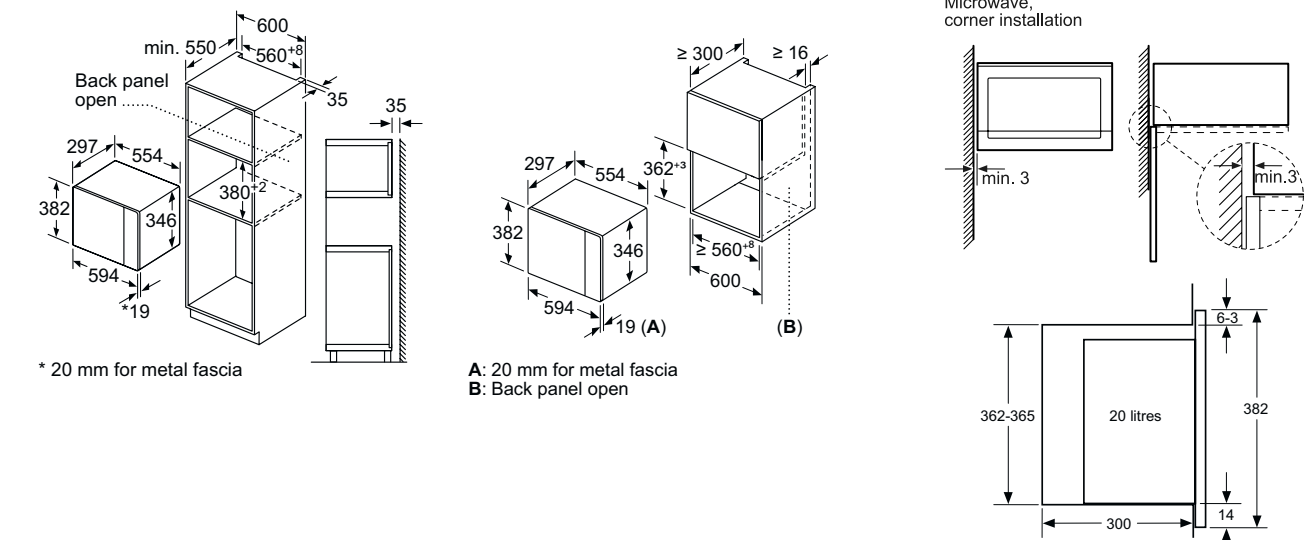
Microwave BF722L1B1B



Microwave BF555LMS0B

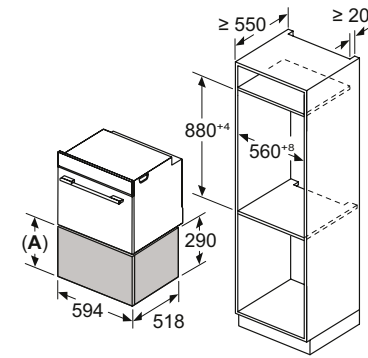


Microwave BF525LMS0B

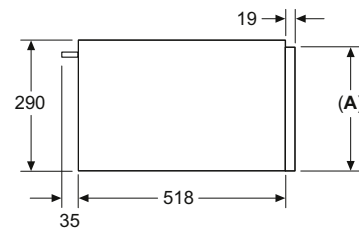


Warming drawer technical diagrams

Warming drawer BI710D1B1B

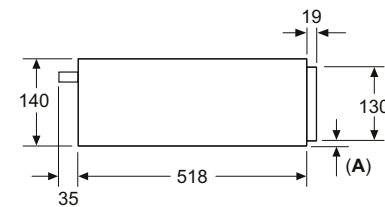
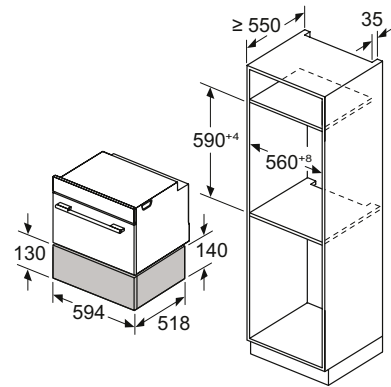


A: 287.5 mm



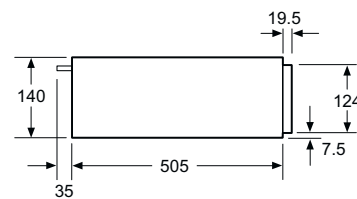
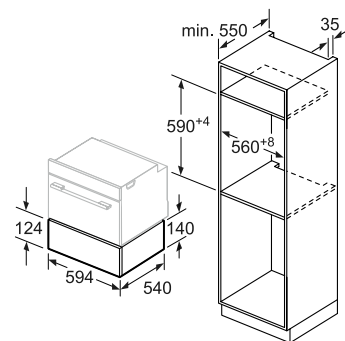
A: 287.5 mm
Ovens with appliance height of 595 mm can be installed above the warming drawer without an intermediate floor

Warming drawers BI710C1B1B and BI710E1B1



A: 7.5 mm
Compact ovens with appliance height of 455 mm can be installed above the warming drawer without an intermediate floor

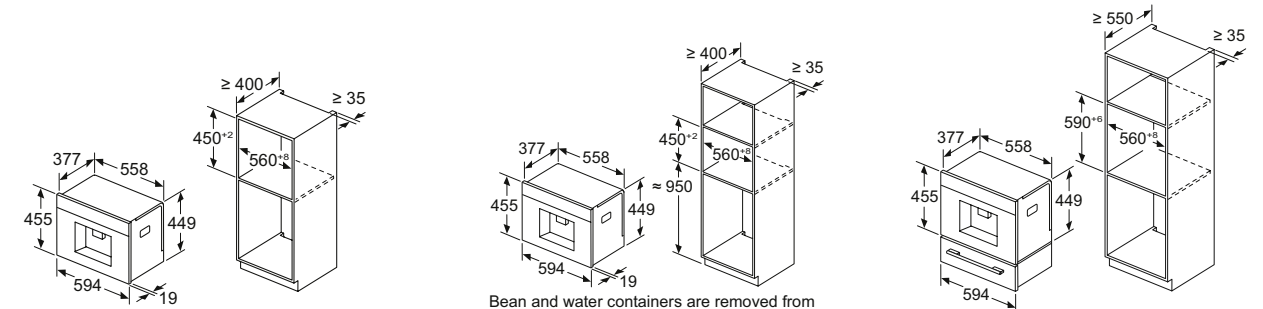
Warming drawer BI510CNR0B



Compact ovens with an appliance height of 455 mm can be installed above a warming drawer. An intermediate floor is not required.

Coffee centre technical diagrams

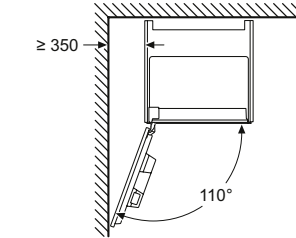
Coffee centre CT718L1B0



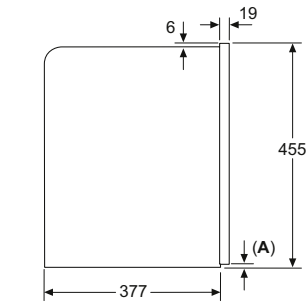
Bean and water containers are removed from the front
Recommended installation height 950-1450 mm

Bean and water containers are removed from the front
Recommended installation height 950-1450 mm

Left corner installation



If using the 92° hinge limiter, the min. distance to the wall is only 100 mm



A: 7.5 mm

Induction, ceramic and gas hobs. Designed to impress

The Siemens hob range combines stunning design with innovative technology and ergonomic design.

Create a design statement in your kitchen to work in harmony with other Siemens Home appliances. With hob options including distinctive black glass, cooking sensors and Wi-Fi, there are a range of collections including induction, ceramic and gas to choose from.

The advanced technology available in our hobs ensures your cooking experience is as enjoyable as possible, with time-saving features that help you to quickly and effortlessly prepare dishes. With a wide range of styles, sizes and cooking types to suit your needs and kitchen design, we have a hob solution for you.



Model shown: ED851FQ15E
80cm inductionAir glass hob

Siemens
HOB

Siemens hob warranties:

2
Year Warranty

2 Year Warranty

A Two Year Warranty is available on all Siemens hobs listed in this brochure to protect against manufacturing and material faults during this warranty period.

To find out more about your warranty and for registration, please visit:
siemens-home.bsh-group.com/uk/customer-service/siemens-warranties

Introducing the Siemens hob collection

With intelligent technology, elegant design aesthetic and practical yet impressive functionality, Siemens hobs bring excitement and ease when creating dishes.

Induction cooking



inductionAir Plus venting hobs

The inductionAir Plus venting hobs give you the freedom to design your kitchen how you want to, with the added benefit of hassle-free cleaning. The innovative design means that the grease filters fit into an entirely detachable liquid tray unit which is designed to completely protect against spillages and over-boiled liquids.

Model shown: **ED851FQ15E** (page 82)



flexInduction hobs

Siemens flexInduction hobs are a must for diverse cooking. The cooking area can be tailored to your needs, enabling you to use a small area as traditional induction hobs with four or five separate zones, for boiling rice, for example, or you can choose to link the zones together to form one zone for larger cooking pans.

With flexInduction Plus, your hob automatically knows how large your cookware is. This provides even heat with the use of an additional central zone if the hob detects that the pan is too large.

Model shown: **EX975KXW1E** (page 84)



Induction hobs

Induction cooking is recognised as being one of the quickest, safest and most efficient methods of cooking available. When a pan with a ferrous or magnetic metal base is placed on the hob, the coil situated below the ceramic surface uses an electromagnetic field to create heat, almost instantly heating the pan. With only the base of the pan heated the cooking zone stays cooler.

Model shown: **ED851FWB5E** (page 87)

Ceramic cooking



quickLite hobs

The surface of a glass ceramic hob heats up quickly and conveniently, while also being easy to clean due to the smooth and even surface. The cooking zones glow red when they are on and you can adjust the temperature of the cooking zones precisely, ensured by up to 17 power levels. Siemens highSpeed cooking zones are also optimised for fast cooking and heat up almost instantly.

Model shown: **ET81RBHA1D** (page 90)

Gas cooking



Gas hobs

Tradition meets innovation – with their modern functions, Siemens gas hobs provide enjoyment in cooking like a pro. Low profile, single piece burners on the glass complete the sleek appearance.

Model shown: **ER9A6SB70** (page 92)

Domino cooking



Domino hobs

Domino hobs can be installed alone or side by side with other types of compatible hobs. Domino cooking gives you more cooking options, for example the 40cm wide Teppan Yaki is ideal for combining with other Domino or faceted design cooktops to create a bespoke cooking area.

Models shown: **ET475FYB1E, EX375FXB1E, ER3A6AB70, ER3A6BB70** (pages 96-97)

Choose the perfect hob for your kitchen

A perfect finish suitable for any modern kitchen.

Siemens aim to provide a wide selection of quality hob choices to ensure there is enough variety and colour-ways to choose from to match your kitchen style.



Black glass



Black ceramic glass



Black tempered glass



Stainless steel



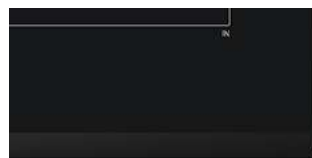
Steel/black glass

Perfectly framed.

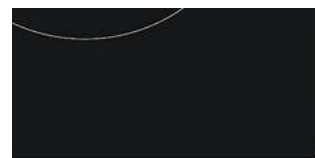
When considering an electric hob, you may also be thinking about the look you want to create as well as matching your appliance to other Siemens products. Siemens offers a variety of finishes to the hob frame; from stand out premium steel trims to sleek flushline trims that fit neatly in line with your worktop surface.



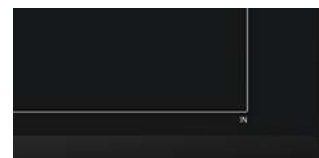
Premium steel trim



Three sided bevel edge



Flush fit



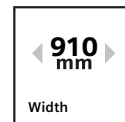
Front bevel



Frameless



The perfect width.

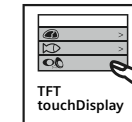


Our hob range is available in a range of widths to suit your kitchen design and needs. Our choice of induction hobs come in 60, 80 and 90cm options, gas is available in 60, 75 and 90cm options and venting hobs come in 60, 70 and 80cm options.

Putting your finger on innovation.

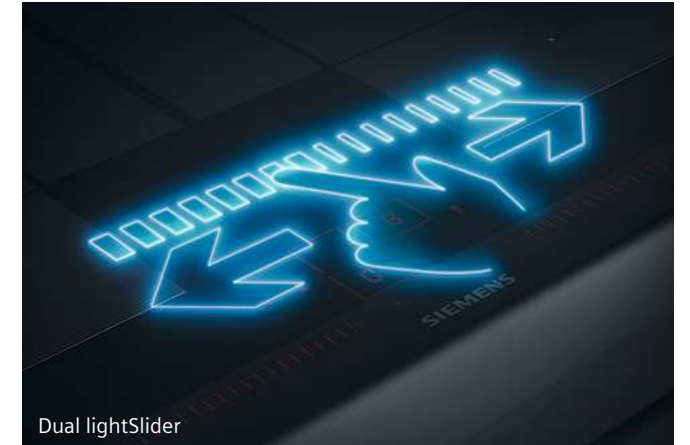


TFT touchDisplay

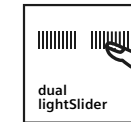


TFT touchDisplay

With the innovative TFT touchDisplay, you can now get the most out of your Siemens induction hob. The full colour touch screen is intuitive and easy to use with clear information about your hob's status at all times as well as additional settings that open up new possibilities. Choose the settings for each individual cooking zone and combine the zones as you like – for example, for different sizes of cookware and various accessories. Access a new world of recipes available through the display screen which can help you cook the perfect dish in just a few simple steps, complete with images and clear text. Take control of your Siemens induction hob and enjoy the advanced design with perfectly prepared meals.



Dual lightSlider

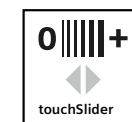


Dual lightSlider

Operate with intuition. The dual lightSlider lets you easily select and join the cooking zones of the iQ700 induction hobs via one neatly arranged interface that illuminates when the hob is turned on. To adjust the power level of the cooking zones simply slide your finger along the lit scale or select the desired power level directly with precise control. When the hob is switched off, the controls are completely invisible for a sleek finish to your kitchen. As there are no protruding parts, cleaning is made even easier.



touchSlider



touchSlider

The ergonomic touchSlider sits flush to the appliance and allows you to slide your finger across the power level scale to the desired setting, with control advances in half-levels from 1 to 9. You can also touch the desired level directly for faster adjustments to the cooking zone temperature.



touchControl

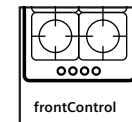


touchControl

Thanks to advanced touchControl technology, Siemens hobs can be operated by simply touching the surface. This means the controls are seamlessly integrated into the surface and make cleaning even easier.



frontControl dials



frontControl

Gas hobs with frontControl feature all controls at the front of the appliance for ease of use.

Induction key features

Home Connect Hobs.
Designed to make life easier.



Model shown:
EX875KYW1E flexInduction hob with
new HZ9FF040 flexInduction 4-piece pan set

Get more from your Siemens smart hob by controlling it via the Home Connect app. Connect together your intelligent kitchen and unlock additional features and functions. It is also possible to use the services of different partners – turning your house into a connected home.

For example use Home Connect to turn your hob on, or change the cooking power level. Use IFTTT to connect our Wi-Fi enabled hobs to a wider variety of partners including home lighting and music systems.

Use the Home Connect app on your smartphone or smartwatch to check the status of your appliance from anywhere. Have you ever left the house and had to go back and check if you turned off the hob? Peace of mind is just a click away with Siemens smart hobs and the intuitive Home Connect app. You can monitor your appliance's settings including on/off status, active cooking zones, implement child lock and get the cooking time status from wherever you are.

Explore a wide range of recipes via the app and send the cooking and temperature settings straight to your hob. Perfect for busy evenings, find seasonal recipes and extra cooking support through the App.



cookConnect system

Automate the functions of your extractor hob using the Home Connect app. Once you have set up the cookConnect system, your hood will automatically adjust its extractor level depending on the power level of your hob. You can even adjust your hoods lighting directly from your hob. Get more with Home Connect.

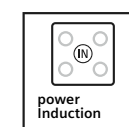
For more information see pages 112 and 113.



Download and install Home Connect App | Partners brought to you by Home Connect | HomeConnect | amazon alexa | works with Google Home | IFTTT

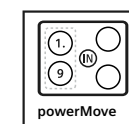
Discover more exciting possibilities for a seamless life with Siemens and Home Connect. For more information visit siemens-home.bsh-group.com/uk/homeconnect

Discover the powerful responsiveness of Siemens induction cooking.



Fast, safe, and easy to clean: powerInduction from Siemens

Instantly hot. Instantly cooler. Experience the benefits of Siemens powerInduction. Heat is conducted directly to the pans and their contents via induction coils, without heating the hob, heat-up times are short, safety is increased and the hob is much easier to clean.



powerMove

Enables intuitive control by splitting the hob into various zones with different set temperatures (low to high). Depending on the hob it has 2, 3 or 5 different zones.



fryingSensor Plus

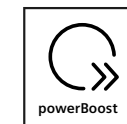
Makes frying easier by automatically maintaining the ideal temperature to ensure your food is cooked just right. Just select the programme you want depending on the type of food, wait for the signal, add oil to the pan and the food – then fryingSensor Plus takes control.

The integrated fryingSensor Plus gives you full precision when frying by keeping the dish at the defined temperature level as soon as this has been reached.



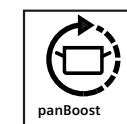
cookingSensor Plus

No more overboiling. Just attach the sensor to the pot and it will interact with the cooktop, giving a signal when a certain temperature has been reached and keeping it exactly at that level.



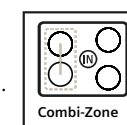
The turbocharger for powerInduction: The powerBoost function

Increases power by up to 50%. This can save up to 35% of the time it takes to heat up pots or cook large quantities depending on the chosen dish.



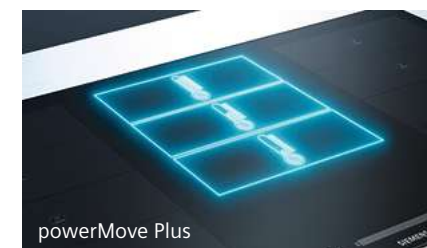
panBoost

Enables you to heat cookware faster than when using heat setting 9. After 30 seconds, this function automatically switches itself off and reverts back to power level 9.



Combi-Zone

Allows you to connect two induction zones together, suitable for larger pots and pans.



powerMove Plus



fryingSensor Plus



cookingSensor Plus

Please note: these features are on selected models. For information on model specification, please check pages 87-89.

Explore the science

of inductionAir Plus cooking

Model shown:
ED851FQ15E inductionAir Plus hob

Our best induction hob, evolved:
inductionAir Plus



Model shown:
ED851FQ15E inductionAir Plus hob

Evolving the way you cook, the Siemens inductionAir Plus system combines cutting-edge induction technology, such as combi zones and powerMove Plus, with sleek, integrated ventilation. Favoured in open plan and compact kitchens, inductionAir Plus hobs give a sense of free-flowing space and light for a more social experience within the kitchen.

inductionAir Plus hob

The inductionAir Plus hob gives you the freedom to style your kitchen how you want to, with the added benefit of hassle-free cleaning. The innovative design means that the grease filters fit into an entirely detachable liquid tray unit which is made to completely protect against spillages and over-boiled liquids.

How does it work?

All parts of the inductionAir Plus hob are neatly arranged in a liquid tray unit, accessed from the top of the hob. Each part is dishwasher-proof, including the black glass air inlet grid, the 2-in-1 grease filter and the liquid tray. Each part is also separate to save space in your dishwasher.

Protects from spills

As a first layer of protection, the black glass air inlet grid is designed to limit the flow of liquids into the ventilation module. As a second layer of protection, the liquid tray captures up to 200ml from day-to-day cooking and can be easily discarded. In addition, up to 700ml of additional liquid can be held in the liquid safety tank accessed from beneath the appliance, and safe-guarding it from damage. This means you can focus on your cooking with complete peace of mind.



Find the perfect fit for your kitchen.

Size flexibility

The inductionAir Plus hob comes in 3 variants of size: 60cm, 70cm and 80cm. This means that, with whatever space you have, there is an inductionAir Plus hob that will fit perfectly into your kitchen.

Installation options

There are 4 different ways to install the inductionAir Plus hob, giving you plenty of options as to how and where to install it.

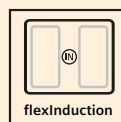
See page 98 for an outline of installation options and accessory requirements.

flexInduction and induction hobs

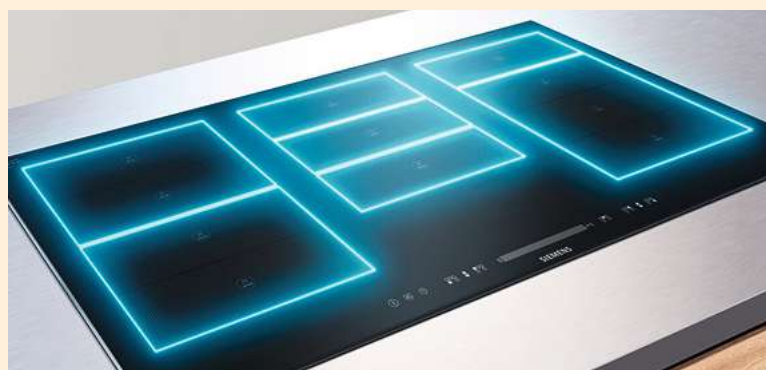


Model shown:
EX975KXW1E flexInduction hob

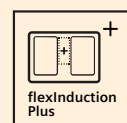
A hob that fits in with your lifestyle, flexInduction is no-compromise cooking at its best.



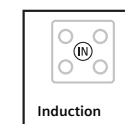
Siemens flexInduction hobs are a must for diverse cooking. The cooking area can be tailored to your needs, enabling you to use as a traditional induction hob with separate zones, or link the zones together for larger cooking pans. The extended cooking surface can accommodate multiple pans of any size, placed anywhere on the surface at the same time. flexInduction also includes boost settings, automatic pan recognition and touchSlider controls.



Each flexInduction zone houses four innovative elongated inductors beneath the glass, which act independently to detect the presence of cookware on the hob. The individual inductors only work when cookware is detected, whether that is a 10cm milk pan placed in one corner, or a large griddle plate covering the whole zone. With only specific areas active at any particular time, no energy is wasted. And for an even more versatile cooking, the newly designed triple flexInduction hob provides the ultimate in flexible cooking with three flexInduction zones. flexInduction is no-compromise cooking at its best.



With flexInduction Plus, the cooking zones automatically adapt to the sizes of your pots and pans of up to 30cm in diameter. If one cooking zone is not sufficient, additional inductors are automatically added to ensure the heat is evenly applied at all times. flexInduction Plus offers additional flex zones for even larger pans. In 90cm variants an additional flex zone is possible with additional inductors below the hob surface situated in the centre of the hob. For 80cm flexInduction Plus hobs, the left and right zones can be extended further to allow for a larger cooking space. For 60cm flexInduction Plus hobs, no matter which side of the pan goes over, a central zone is automatically added.



Induction cooking – the cool heat

Induction cooking is recognised as being one of the quickest, safest and most efficient methods of cooking available.

When a pan with a ferrous or magnetic metal base is placed on the hob, the coil situated below the ceramic surface uses an electromagnetic field to create heat, almost instantly heating the pan. With only the base of the pan heated the cooking zone stays cooler.

Easier to clean and safer to use, because the ceramic cooking top is warmed only by the heat transferred back from the cookware and its contents, spillages are less likely to burn on, and there is normally no need to wait for the glass to cool down before simply wiping it over with a cloth, there is some residual heat from the cooking process but there is a reduced risk of burning on high temperatures from the hob surface. And if the induction hob is turned on without a pot or pan being placed on it, the hob itself will not heat up which reduces the risk of burning yourself.

Black glass finish

Our stunning induction hobs feature a black glass finish and bold displays. Our stylish collection mimicks the aesthetics of our built-in ovens and microwaves so your kitchen appliances can truly complement one another.

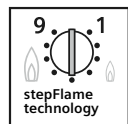
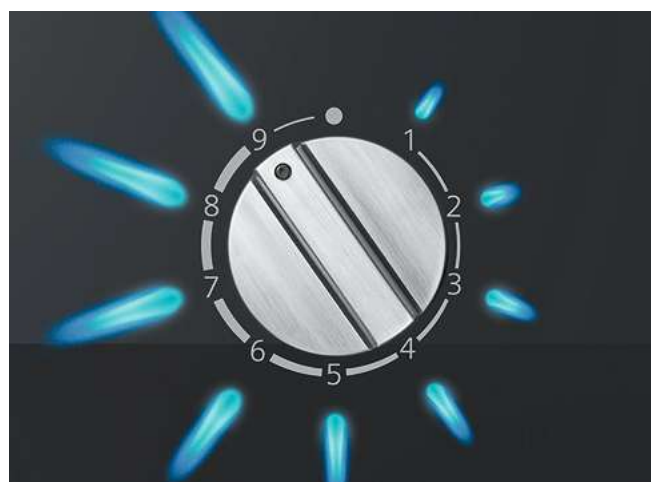


Model shown:
EX875KYW1E
flexInduction hob

Gas hobs key features

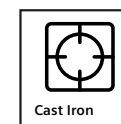
High performance, high speed.

Tradition meets innovation – with their modern functions, Siemens gas hobs provide enjoyment in cooking like a pro. Our top-of-the-range models feature beautiful and durable black ceramic glass hob bases, with cast iron pan supports for a contemporary look. They are designed to coordinate with other appliances in the iQ700 range, and can be combined seamlessly with iQ700 domino and electric hobs. Low profile, single piece burners on the glass complete the sleek appearance.



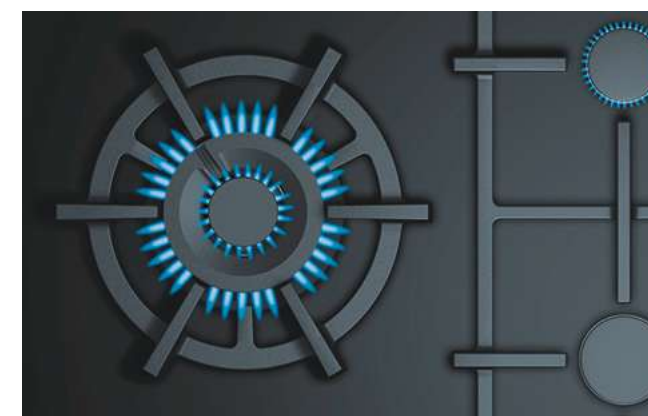
stepFlame technology

Introducing the ground-breaking innovation in gas hobs: stepFlame. Offering 9 precise power levels to give you the control of an electric hob, with gas. No more leaning over to check the flame size, no more hoping that it is at the right heat level. All this guesswork has been removed from cooking with gas. Whatever the level selected, the exact heat and the flame size needed is provided. It is just as easy to operate as it sounds, so conjuring up delicious meals is now easier than ever. It enables you to achieve the precise results you have always dreamt of. Your meals will be delicious, and your guests will be delighted.



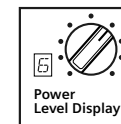
Cast Iron

Cast iron pan supports are designed to withstand even the heaviest of pots and pans and provide a sleek finish to each hob. All can be removed for easier cleaning and iQ700 models have dishwasher safe pan supports.



Wok burner

Siemens gas hobs feature wok burners that deliver 3.3kW, 4.0kW, 4.2kW, 5.0kW or 6.0kW of power depending on the model, meeting the increasing demand for high speed cooking. But it is not just about power; they can be turned down to just 0.3kW – perfect for simmering. For the ultimate in flexibility, our 6.0kW and 5.0kW burners are dual control – the inner and outer flame rings can be adjusted independently via a single control.



Power Level Display with residual heat indicator

Together with the new stepFlame technology, selected gas hobs feature an LED display which clearly shows the power level you have selected at a glance. For added safety, the LED display also shows whether there is any residual heat from the hob indicated by a capital 'H' for hot and a lower case 'h' for warm.



dishwasher proof

All gas on ceramic glass models feature pan supports that are treated with a special coating which resists discolouration and the damaging effects of a dishwasher.

Hob accessories

For additional cooking flexibility Siemens provide a range of accessories for our flexInduction, gas and domino hobs.

flexInduction hob Accessories

Pan sets

This new range of induction pans are designed to work perfectly with induction and flexInduction hobs. The rectangular shape fits perfectly to the induction zones and the pans are all oven-proof up to 220°C with a non-stick coating so that your food cooks perfectly while also being easy to clean. They are also easy to stack so you can maximise your storage space.



4-piece set
HZ9FF040

(Consists of 1 x Flex Pan large, 1 x Flex Pan medium and 2 x Flex Pan small with lids)



3-piece set
HZ9FF030

(Consists of 1 x Flex Pan large, 1 x Flex Pan medium and 1 x Flex Pan small with lid)



Model shown:
EX875KYW1E flexInduction hob
with new HZ390011 flexInduction
4-piece pan set



Griddle pan

Converts your induction cooktop into a grill, specially designed for use across four flexInductors. The griddle pan maintains an even heat, perfect for frying steak or for roasting meat, fish and vegetables.



Griddle pan
HZ390522



Teppan Yaki

Heating extremely quickly the Teppan Yaki is great for fast Japanese cooking. Perfect for a cooked breakfast or a healthy stir-fry, the pan will fit across either three or four flexInductors.



34x20cm
HZ9TY010



40x20cm
HZ9TY012



Roasting dish with steamer

Perfect for use with flexInduction hobs this multipurpose dish is a must when cooking for a crowd. A removable steamer insert is available to compliment this dish and perfect for steaming vegetables.



Roasting dish
HZ390011



Steamer insert
HZ390012

Gas Accessories



Wok ring
17003262

Wok ring

Cooking oriental meals in a wok, requires a high temperature. This wok ring helps to regulate heat and concentrate the open flame to one area, giving you the perfect environment for your dish.

Cross support
00184200



Cross support

Perfect for supporting smaller pots and pans on your hob. Whether you are using an espresso pot, or small saucepan, the cross support will give you maximum stability.



Models shown above:
ER3A6AB70 wok domino hob,
ET475FYB1E Teppan Yaki domino hob
and EX375FXB1E flexInduction domino hob

Domino Hob Accessories



CookingSensor Plus Wireless
temperature sensor
HZ39050



Cast iron non-stick
frying pan
HZ9FE280



Six piece pan set
HZ9SE060

OPTIONAL ACCESSORIES FOR DOMINO HOB	
CookingSensor Plus Wireless temperature sensor for cookingSensor Plus ready models	HZ39050
Connecting strip for use with side trim hobs	HZ394301
Flex Pan Set 4 pcs. Perfect universal pans for the FlexZone. Consists of 1 x Flex Pan large, 1 x Flex Pan medium and 2 x Flex Pan small with lids	HZ9FF040
Flex Pan Set 3 pcs. Perfect universal pans for the FlexZone. Consists of 1 x Flex Pan large, 1 x Flex Pan medium and 1 x Flex Pan small with lid	HZ9FF030
Flex Pan large approx. 35 x 22cm. Perfect universal pan for the FlexZone	HZ9FF010
Teppan Yaki approx. 34 x 20cm. Perfect for the FlexZone	HZ9TY010
Four piece pan set, suited for induction, radiant ceramic and gas. Consists of 1 x sauté pan, 2 x pots with lids and 1 x milk pan	HZ9SE040
Six piece pan set, suited for induction, radiant ceramic and gas. Consists of 2 x sauté pan, 3 x pots with lids and 1 x milk pan	HZ9SE060
Cast iron non-stick frying pan, suited for induction, base diameter 185mm	HZ9FE280
BergHOFF three piece induction pan set	HZ9SE030
Griddle plate, approx. 40x20 cm for use with flexInduction	HZ390522
Teppan Yaki, approx. 40x20 cm for use with flexInduction	HZ390512
Oval roasting dish with lid for use with induction hobs	HZ390011
Steamer insert for use with HZ390011 roasting dish	HZ390012

For more details on the range of accessories available please ask your retailer or visit siemens-home.bsh-group.com/uk/shop

inductionAir Plus hobs



inductionAir Plus hob specifications

APPLIANCE TYPE		INDUCTIONAIR PLUS HOB	
Design family		iQ 500	
Model number		ED851FQ15E	
DESIGN			
Width (mm)		802	
Control type		touchSlider	
Style		front bevel	
KEY FEATURES			
Home Connect		-	
Integrated extractor		■	
Automatic extraction		Auto-On	
cookingSensor Plus ready ¹		-	
fryingSensor Plus		-	
flexInduction zones		-	
powerMove		2 stages	
flexMotion automatic setting transfer		-	
combiZone Induction		2: Left & Right + ventilation	
Digital display		■	
HOB FEATURES			
Number of individual zones		4	
Power levels		17	
powerBoost		■	
Energy consumption display		■	
Quick start		■	
Re-start function		■	
HOOD FEATURES			
Power levels		9 + 2 Intensive	
Automatic intensive revert setting		6 minutes	
Automatic after running: Extraction / Recirculation		12 / 30 minutes	
Dishwasher safe grease filter cassette with spillage collection		Yes – 200ml capacity	
Dishwasher safe spillage overflow collector		700ml capacity	
Electronic grease filter & cleanAir filter saturation indicators		■	
SAFETY FEATURES			
Main on/off switch		■	
Two stage residual heat indicators		■	
Safety lock		■	
Automatic pan recognition		■	
Timed safety switch off		■	
PERFORMANCE / TECHNICAL INFORMATION – HOB			
Nominal voltage (V)		220-240	
Maximum power output (W)		7400	
Electrical cable length (cm)		110	
Rear left zone - power (kW) / dimensions (mm)		2.20	190 x 210
Rear right zone - power (kW) / dimensions (mm)		2.20	190 x 210
Front left zone - power (kW) / dimensions (mm)		2.20	190 x 210
Front right zone - power (kW) / dimensions (mm)		2.20	190 x 210
Flexible Zone left - power (kW) / dimensions (mm)		3.60	380 x 210
Flexible Zone right - power (kW) / dimensions (mm)		3.60	380 x 210
Rear left zone - with powerBoost (max. kW)		3.70	
Rear right zone - with powerBoost (max. kW)		3.70	
Front left zone - with powerBoost (max. kW)		3.70	
Front right zone - with powerBoost (max. kW)		3.70	
PERFORMANCE / TECHNICAL INFORMATION – EXTRACTOR			
Extractor energy efficiency rating		B	
Extraction rate in m ³ /h ^(2,3)			
- ducted / recirculating power level minimum		154 / 150	
- ducted / recirculating power level maximum		500 / 500	
- ducted / recirculating power level intensive		622 / 615	
Noise level (sound power) based on dB[A] re 1pW ^(2,4)			
- ducted / recirculating power level minimum		42 / 41	
- ducted / recirculating power level maximum		69 / 68	
- ducted / recirculating power level intensive		74 / 72	
Motor power (W)		170	
INSTALLATION ACCESSORIES			
Ducted operation using accessory kit		HZ9VEDU0	

■ Yes, model has this feature. – Feature not available for this model.
All models comply with COMMISSION (EC) No. 1275/2008 with regard to ecodesign requirements for standby and off mode electric power consumption.

¹ Max 3 sensors at any time; one WSP provided. ² Air flow and noise declarations made in line with CECEC Code Of Conduct. ³ Measured according to EN61591 on largest pipe diameter. ⁴ Sound power measured according to EN60704-3 on largest pipe diameter.

Data valid in this table as of October 2023. Subject to modification without prior notice.



inductionAir Plus hob specifications

APPLIANCE TYPE		INDUCTIONAIR PLUS HOB				
Design family		iQ 500	iQ 300	iQ 300	iQ 300	iQ 300
Model number		ED711FQ15E	ED811B516E	EH811BE15E	ED611B516E	EH611BE15E
Availability			From December 2023	Discontinues December 2023	From December 2023	Discontinues December 2023
DESIGN						
Width (mm)		710	802	802	592	592
Control type		touchSlider	touchControl	touchControl	touchControl	touchControl
Style		Frameless	Frameless	Frameless	Frameless	Frameless
KEY FEATURES						
Home Connect		-	-	-	-	-
Integrated extractor		■	■	■	■	■
Automatic extraction		Auto-On	Auto-On	Auto-On	Auto-On	Auto-On
cookingSensor Plus ready ¹		-	-	-	-	-
fryingSensor Plus		-	-	-	-	-
flexInduction zones		-	-	-	-	-
powerMove		2 stages	-	-	-	-
flexMotion automatic setting transfer		-	-	-	-	-
combiZone Induction		2: Left & Right + ventilation	1	-	1	-
Digital display		■	■	■	■	■
HOB FEATURES						
Number of individual zones		4	4	4	4	4
Power levels		17	17	17	17	17
powerBoost		■	■	■	■	■
Energy consumption display		■	-	-	-	-
Quick start		■	■	■	■	■
Re-start function		■	■	■	■	■
HOOD FEATURES						
Power levels		9 + 2 Intensive	3 + 1 Intensive	3 + 1 Intensive	3 + 1 Intensive	3 + 1 Intensive
Automatic intensive revert setting		6 minutes	6 minutes	6 minutes	6 minutes	6 minutes
Automatic after running: Extraction / Recirculation		12 / 30 minutes	12 / 30 minutes	12 / 30 minutes	12 / 30 minutes	12 / 30 minutes
Dishwasher safe grease filter cassette with spillage collection		Yes – 200ml capacity	Yes – 200ml capacity	Yes – 200ml capacity	Yes – 200ml capacity	Yes – 200ml capacity
Dishwasher safe spillage overflow collector		700ml capacity	700ml capacity	700ml capacity	700ml capacity	700ml capacity
Electronic grease filter & cleanAir filter saturation indicators		■	■	■	■	■
SAFETY FEATURES						
Main on/off switch		■	■	■	■	■
Two stage residual heat indicators		■	■	■	■	■
Safety lock		■	■	■	■	■
Automatic pan recognition		■	■	■	■	■
Timed safety switch off		■	■	■	■	■
PERFORMANCE / TECHNICAL INFORMATION – HOB						
Nominal voltage (V)		220-240	220-240	220-240	220-240	220-240
Maximum power output (W)		7,400	7,400	7,400	7,400	7,400
Electrical cable length (cm)		110	110	110	110	110
Rear left zone - power (kW) / dimensions (mm)		2.20 / 190 x 210	1.80 / 180	1.80 / 180	1.40 / 150	1.40 / 150
Rear right zone - power (kW) / dimensions (mm)		2.20 / 190 x 210	1.80 / 180	1.80 / 180	1.40 / 150	1.40 / 150
Front left zone - power (kW) / dimensions (mm)		2.20 / 190 x 210	2.20 / 210	2.20 / 210	2.20 / 210	2.20 / 210
Front right zone - power (kW) / dimensions (mm)		2.20 / 190 x 210	2.20 / 210	2.20 / 210	2.20 / 210	2.20 / 210
Flexible Zone left - power (kW) / dimensions (mm)		3.60 / 380 x 210				
Flexible Zone right - power (kW) / dimensions (mm)		3.60 / 380 x 210				
Rear left zone - with powerBoost (max. kW)		3.70	3.10	3.10	2.20	2.20
Rear right zone - with powerBoost (max. kW)		3.70	3.10	3.10	2.20	2.20
Front left zone - with powerBoost (max. kW)		3.70	3.70	3.70	3.70	3.70
Front right zone - with powerBoost (max. kW)		3.70	3.70	3.70	3.70	3.70
PERFORMANCE / TECHNICAL INFORMATION – EXTRACTOR						
Extractor energy efficiency rating		B	B	B	B	B
Extraction rate in m ³ /h ^(2,3)						
- ducted / recirculating power level minimum		154 / 150	352 / 332	352 / 332	332 / 327	332 / 327
- ducted / recirculating power level maximum		500 / 500	500 / 500	500 / 500	500 / 500	500 / 500
- ducted / recirculating power level intensive		622 / 615	575 / 565	575 / 565	575 / 565	575 / 565
Noise level (sound power) based on dB[A] re 1pW ^(2,4)						
- ducted / recirculating power level minimum		42 / 41	60 / 58	60 / 58	60 / 58	60 / 58
- ducted / recirculating power level maximum		69 / 68	60 / 60	60 / 60	68 / 68	68 / 68
- ducted / recirculating power level intensive		74 / 72	72 / 70	72 / 70	72 / 70	72 / 70
Motor power (W)		170				
INSTALLATION ACCESSORIES						
Diffuser required for ducted recirculation		HZ9VRPD1	HZ9VRPD1	HZ9VRPD1	HZ9VRPD1	HZ9VRPD1
Ducted recirculation starter kit for min. 70cm deep worktops.		HZ9VDKR0	HZ9VDKR0	HZ9VDKR0	HZ9VDKR0	HZ9VDKR0
Ducted recirculation starter kit for min. 60cm deep worktops.		HZ9VDKR1	HZ9VDKR1	HZ9VDKR1	HZ9VDKR1	HZ9VDKR1
Ducted exhaust starter kit for min. 60cm deep worktops.		HZ9VDKE1	HZ9VDKE1	HZ9VDKE1	HZ9VDKE1	HZ9VDKE1

■ Yes, model has this feature. – Feature not available for this model.
All models comply with COMMISSION (EC) No. 1275/2008 with regard to ecodesign requirements for standby and off mode electric power consumption.

¹ Max 3 sensors at any time; one WSP provided. ² Air flow and noise declarations made in line with CECEC Code Of Conduct.

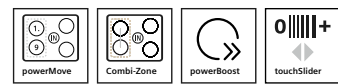
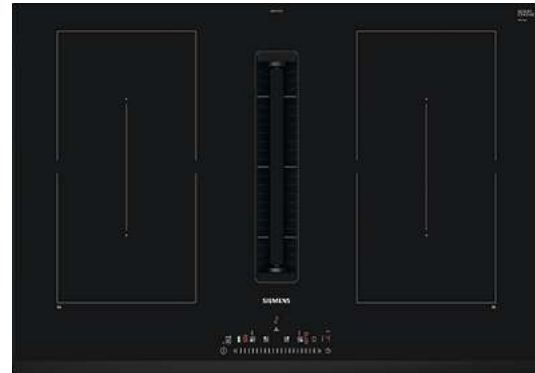
³ Measured according to EN61591 on largest pipe diameter. ⁴ Sound power measured according to EN60704-3 on largest pipe diameter.

Data valid in this table as of October 2023. Subject to modification without prior notice.

iQ 500 ED851FQ15E

inductionAir Plus hob
Black glass

80cm



2
Year Warranty

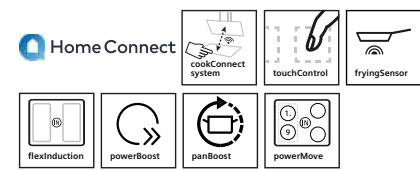
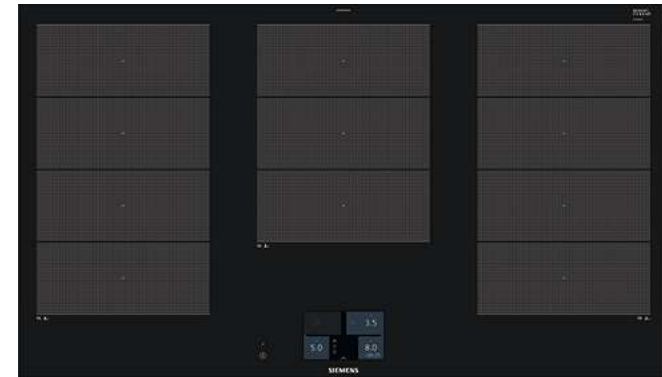


flexInduction hobs

iQ700 EX975KXW1E

flexInduction hob
Black glass

90cm



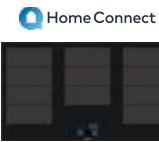
2 Year Warranty



■ Yes, model has this feature. – Feature not available for this model.
All models comply with COMMISSION (EC) No. 1275/2008 with regard to ecodesign requirements for standby and off mode electric power consumption.
¹Max 3 sensors at any time. "Ready" identifies products with feature enabled, sensor available as additional purchase. If sensor is supplied, number supplied is detailed.
²On 60cm model, the single centre aux inductor can work only with either the left or right zones. On the 80cm models, there are two aux inductors, one allocated each to the left and right zones. No bridge is possible to use 2 aux zones together.
Data valid in this table as of October 2023. Subject to modification without prior notice.

flexInduction hob specifications

APPLIANCE TYPE	FLEXINDUCTION HOB	
Design family	iQ700	
Model number	EX975KXW1E	
DESIGN		
Width (mm)	912	
Control position	Front	
Control type	TFT Control	
Style	Stainless steel side trim	
KEY FEATURES		
Home Connect	■	
cookConnect	■	
Full Touch colour display with dish categories	■	
cookingSensor Plus ready¹	–	
fryingSensor	5 settings	
Number of flexInduction zones	3	
Extended flexInduction zone²	–	
Number of combiZones	–	
powerBoost	■	
panBoost	■	
powerMove	3 stages	
FEATURES		
Number of individual zones	5	
Power levels	17	
Digital display	■	
QuickStart	■	
Restart function	■	
quickStop	–	
flexMotion automatic setting transfer	■	
Wipe protection function	■	
Keep warm function	■	
Energy consumption display	■	
Demo mode	■	
SAFETY FEATURES		
Main on/off switch	■	
Residual heat Indicator	■	
Safety lock	■	
Timer with automatic switch off for each zone	■	
Count up timer / Automatic pan recognition	■ / ■	
PERFORMANCE / TECHNICAL INFORMATION		
Nominal voltage (V)	220-240	
Maximum power output (W) / Electrical cable length (cm)	11,100 / 110	
GB plug	–	
One continuous cooking zone – power (kW) / dimensions (mm)	–	
One continuous cooking zone – with powerBoost (max. kW)	–	
Rear left flexInduction zone – power (kW) / dimensions (mm)	2.20	200 x 240
Rear left zone – power (kW) / diameter (mm)	–	–
Rear right flexInduction zone – power (kW) / dimensions (mm)	2.20	200 x 240
Rear right zone – power (kW) / diameter (mm)	–	–
Rear centre zone – power (kW) / diameter (mm)	2.60	300 x 240
Front centre zone – power (kW) / diameter (mm)	–	–
Front left flexInduction zone – power (kW) / dimensions (mm)	2.20	200 x 240
Front left zone – power (kW) / diameter (mm)	–	–
Front right flexInduction zone – power (kW) / dimensions (mm)	2.20	200 x 240
Front right zone – power (kW) / diameter (mm)	–	–
flexInduction Zone left – power (kW) / dimensions (mm)	3.30	400 x 240
flexInduction Zone right – power (kW) / dimensions (mm)	3.30	400 x 240
Extended flexInduction rear left – power (kW) / dimensions (mm)	–	–
Extended flexInduction rear right – power (kW) / dimensions (mm)	–	–
CombiZone left – power (kW) / dimensions (mm)	–	–
CombiZone right – power (kW) / dimensions (mm)	–	–
Rear left zone – with powerBoost (max. kW)	3.70	–
Rear right zone – with powerBoost (max. kW)	3.70	–
Rear centre zone – with powerBoost (max. kW)	3.70	–
Front centre zone – with powerBoost (max. kW)	–	–
Front left zone – with powerBoost (max. kW)	3.70	–
Front right zone – with powerBoost (max. kW)	3.70	–



flexInduction hob specifications

APPLIANCE TYPE	FLEXINDUCTION HOB			
Design family	iQ700	iQ700	iQ700	iQ700
Model number	EX875KYW1E	EX675JYW1E	EX975LVV1E	EX675LXV1E
DESIGN				
Width (mm)	812	602	912	602
Control position	Front	Front	Front	Front
Control type	TFT Control	Dual lightSlider	Dual lightSlider	Dual lightSlider
Style	Stainless steel side trim	Stainless steel side trim	Stainless steel side trim	Stainless steel side trim
KEY FEATURES				
Home Connect	■	■	■	■
cookConnect	■	■	■	■
Full Touch colour display with dish categories	■	■	–	–
cookingSensor Plus ready¹	HZ39050 required	HZ39050 required	–	–
fryingSensor	5 settings	5 settings	4 settings	4 settings
Number of flexInduction zones	2	2	2	2
Extended flexInduction zone²	2	1	–	–
Number of combiZones	–	–	–	–
powerBoost	■	■	■	■
panBoost	■	■	■	■
powerMove	3 stages	3 stages	3 stages	3 stages
FEATURES				
Number of individual zones	4	4	5	4
Power levels	17	17	17	17
Digital display	■	■	■	■
QuickStart	–	–	■	■
Restart function	■	■	■	■
quickStop	–	–	–	–
flexMotion automatic setting transfer	–	■	–	–
Wipe protection function	■	■	■	■
Keep warm function	■	■	■	■
Energy consumption display	■	■	■	■
Demo mode	■	■	■	■
SAFETY FEATURES				
Main on/off switch	■	■	■	■
Residual heat Indicator	■	■	■	■
Safety lock	■	■	■	■
Timer with automatic switch off for each zone	■	■	■	■
Count up timer / Automatic pan recognition	■ / ■	■ / ■	■ / ■	■ / ■
PERFORMANCE / TECHNICAL INFORMATION				
Nominal voltage (V)	220-240	220-240	220-240	220-240
Maximum power output (W) / Electrical cable length (cm)	7,400 / 110	7,400 / 110	11,100 / 110	7,400 / 110
GB plug	–	–	–	–
One continuous cooking zone – power (kW) / dimensions (mm)	–	–	–	–
One continuous cooking zone – with powerBoost (max. kW)	–	–	–	–
Rear left flexInduction zone – power (kW) / dimensions (mm)	2.20	200 x 230	2.20	200 x 240
Rear left zone – power (kW) / diameter (mm)	–	–	–	–
Rear right flexInduction zone – power (kW) / dimensions (mm)	2.20	200 x 230	2.20	200 x 240
Rear right zone – power (kW) / diameter (mm)	–	–	–	–
Rear centre zone – power (kW) / diameter (mm)	–	–	3.30	300 x 240
Front centre zone – power (kW) / diameter (mm)	–	–	–	–
Front left flexInduction zone – power (kW) / dimensions (mm)	2.20	200 x 230	2.20	200 x 240
Front left zone – power (kW) / diameter (mm)	–	–	–	–
Front right flexInduction zone – power (kW) / dimensions (mm)	2.20	200 x 230	2.20	200 x 240
Front right zone – power (kW) / diameter (mm)	–	–	–	–
flexInduction Zone left – power (kW) / dimensions (mm)	3.30	400 x 230	3.30	400 x 240
flexInduction Zone right – power (kW) / dimensions (mm)	3.30	400 x 230	3.30	400 x 240
Extended flexInduction rear left – power (kW) / dimensions (mm)	3.30	300 x 300	3.30	300 x 300
Extended flexInduction rear right – power (kW) / dimensions (mm)	3.30	300 x 300	3.30	300 x 300
CombiZone left – power (kW) / dimensions (mm)	–	–	–	–
CombiZone right – power (kW) / dimensions (mm)	–	–	–	–
Rear left zone – with powerBoost (max. kW)	3.70	3.70	3.70	3.70
Rear right zone – with powerBoost (max. kW)	3.70	3.70	3.70	3.70
Rear centre zone – with powerBoost (max. kW)	–	–	3.70	–
Front centre zone – with powerBoost (max. kW)	–	–	–	–
Front left zone – with powerBoost (max. kW)	3.70	3.70	3.70	3.70
Front right zone – with powerBoost (max. kW)	3.70	3.70	3.70	3.70

■ Yes, model has this feature. – Feature not available for this model.
All models comply with COMMISSION (EC) No. 1275/2008 with regard to ecodesign requirements for standby and off mode electric power consumption.
¹Max 3 sensors at any time. "Ready" identifies products with feature enabled, sensor available as additional purchase. If sensor is supplied, number supplied is detailed.
²On 60cm model, the single centre aux inductor can work only with either the left or right zones. On the 80cm models, there are two aux inductors, one allocated each to the left and right zones. No bridge is possible to use 2 aux zones together.
Data valid in this table as of October 2023. Subject to modification without prior notice.

flexInduction hob specifications



APPLIANCE TYPE	FLEXINDUCTION HOBS			
Design family	iQ700	iQ700	iQ700	iQ700
Model number	EX275FXB1E	EX879FVC1E	EX851FVC1E	EX651FEC1E
DESIGN				
Width (mm)	912	812	812	592
Control position	Front	Front	Front	Front
Control type	touchSlider	touchSlider	touchSlider	touchSlider
Style	Stainless steel side trim	Stainless steel side trim	Three sided bevel	Three sided bevel
KEY FEATURES				
Home Connect	-	-	-	-
cookConnect	-	-	-	-
Full Touch colour display with dish categories	-	-	-	-
cookingSensor Plus ready ¹	-	-	-	-
fryingSensor	-	4 settings	4 settings	5 settings
Number of flexInduction zones	2	1	1	1
Extended flexInduction zone ²	-	-	-	-
Number of combiZones	-	-	-	-
powerBoost	■	■	■	■
panBoost	-	-	-	-
powerMove	3 stages	3 stages	3 stages	3 stages
FEATURES				
Number of individual zones	4	5	5	4
Power levels	17	17	17	17
Digital display	■	■	■	■
QuickStart	■	■	■	■
Restart function	■	■	■	■
quickStop	-	-	-	-
flexMotion automatic setting transfer	■	-	-	-
Wipe protection function	■	■	■	■
Keep warm function	-	-	-	-
Energy consumption display	■	■	■	■
Demo mode	-	-	-	-
SAFETY FEATURES				
Main on/off switch	■	■	■	■
Residual heat Indicator	■	■	■	■
Safety lock	■	■	■	■
Timer with automatic switch off for each zone	■	■	■	■
Count up timer / Automatic pan recognition	■ / ■	■ / -	■ / -	■ / ■
PERFORMANCE / TECHNICAL INFORMATION				
Nominal voltage (V)	220-240		220-240	
Maximum power output (W) / Electrical cable length (cm)	7,400 / 110		7,400 / 110	
GB plug	-	-	-	-
One continuous cooking zone – power (kW) / dimensions (mm)	-	-	-	-
One continuous cooking zone – with powerBoost (max. kW)	-	-	-	-
Rear left flexInduction zone – power (kW) / dimensions (mm)	2.20	210 x 200	-	-
Rear left zone – power (kW) / diameter (mm)	-	-	1.40	145
Rear right flexInduction zone – power (kW) / dimensions (mm)	2.20	210 x 200	2.20	200 x 210
Rear right zone – power (kW) / diameter (mm)	-	-	-	-
Rear centre zone – power (kW) / diameter (mm)	-	-	2.20	240
Front centre zone – power (kW) / diameter (mm)	-	-	-	-
Front left flexInduction zone – power (kW) / dimensions (mm)	2.20	210 x 200	-	-
Front left zone – power (kW) / diameter (mm)	-	-	1.80	180
Front right flexInduction zone – power (kW) / dimensions (mm)	2.20	210 x 200	2.20	200 x 210
Front right zone – power (kW) / diameter (mm)	-	-	-	-
flexInduction Zone left – power (kW) / dimensions (mm)	3.30	210 x 400	-	-
flexInduction Zone right – power (kW) / dimensions (mm)	3.30	210 x 400	3.30	400 x 210
Extended flexInduction rear left – power (kW) / dimensions (mm)	-	-	-	-
Extended flexInduction rear right – power (kW) / dimensions (mm)	-	-	-	-
CombiZone left – power (kW) / dimensions (mm)	-	-	-	-
CombiZone right – power (kW) / dimensions (mm)	-	-	-	-
Rear left zone – with powerBoost (max. kW)	3.70	-	2.20	-
Rear right zone – with powerBoost (max. kW)	3.70	-	3.70	-
Rear centre zone – with powerBoost (max. kW)	-	-	3.70	-
Front centre zone – with powerBoost (max. kW)	-	-	-	-
Front left zone – with powerBoost (max. kW)	3.70	-	3.10	-
Front right zone – with powerBoost (max. kW)	3.70	-	3.70	-

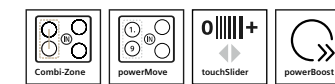
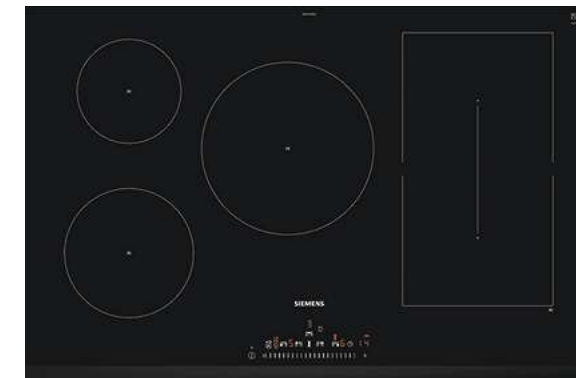
■ Yes, model has this feature. – Feature not available for this model.
 All models comply with COMMISSION (EC) No. 1275/2008 with regard to ecodesign requirements for standby and off mode electric power consumption.
¹Max 3 sensors at any time. "Ready" identifies products with feature enabled, sensor available as additional purchase. If sensor is supplied, number supplied is detailed.
²On 60cm model, the single centre aux inductor can work only with either the left or right zones. On the 80cm models, there are two aux inductors, one allocated each to the left and right zones. No bridge is possible to use 2 aux zones together.
 Data valid in this table as of October 2023. Subject to modification without prior notice.

Induction hobs

iQ500 ED851FWB5E

Induction hob
Black glass

80cm



Induction hob specifications

APPLIANCE TYPE	INDUCTION HOB	
Design family	iQ500	
Model number	ED851FWB5E	
DESIGN		
Width (mm)	802	
Control position	Front	
Control type	touchSlider	
Style	Three sided bevel	
KEY FEATURES		
Home Connect	-	
cookConnect	-	
Full Touch colour display with dish categories	-	
cookingSensor Plus ready ¹	-	
fryingSensor	-	
Number of flexInduction zones	-	
Extended flexInduction Zone ²	-	
Number of combiZones	1	
powerBoost	■	
panBoost	-	
powerMove	2 stages	
FEATURES		
Number of individual zones	5	
Power levels	17	
Digital display	■	
QuickStart	■	
Restart function	■	
quickStop	-	
flexMotion automatic setting transfer	-	
Wipe protection function	■	
Keep warm function	-	
Energy consumption display	■	
Demo mode	-	
SAFETY FEATURES		
Main on/off switch	■	
Residual heat Indicator	■	
Safety lock	■	
Timer with automatic switch off for each zone	■	
Count up timer / Automatic pan recognition	- / ■	
PERFORMANCE / TECHNICAL INFORMATION		
Nominal voltage (V)	220-240	
Maximum power output (W) / Electrical cable length (cm)	7,400 / 110	
GB plug	-	
One continuous cooking zone – power (kW) / dimensions (mm)	-	
One continuous cooking zone – with powerBoost (max. kW)	-	
Rear left flexInduction zone – power (kW) / dimensions (mm)	1.40	145
Rear left zone – power (kW) / diameter (mm)	2.20	190 x 210
Rear right flexInduction zone – power (kW) / dimensions (mm)	-	-
Rear right zone – power (kW) / diameter (mm)	2.20	240
Rear centre zone – power (kW) / diameter (mm)	-	-
Front centre zone – power (kW) / diameter (mm)	-	-
Front left flexInduction zone – power (kW) / dimensions (mm)	1.80	180
Front left zone – power (kW) / diameter (mm)	2.20	190 x 210
Front right flexInduction zone – power (kW) / dimensions (mm)	-	-
Front right zone – power (kW) / diameter (mm)	-	-
flexInduction Zone left – power (kW) / dimensions (mm)	3.60	380 x 210
flexInduction Zone right – power (kW) / dimensions (mm)	-	-
Extended flexInduction rear left – power (kW) / dimensions (mm)	-	-
Extended flexInduction rear right – power (kW) / dimensions (mm)	-	-
CombiZone left – power (kW) / dimensions (mm)	-	-
CombiZone right – power (kW) / dimensions (mm)	-	-
Rear left zone – with powerBoost (max. kW)	2.20	-
Rear right zone – with powerBoost (max. kW)	3.70	-
Rear centre zone – with powerBoost (max. kW)	3.70	-
Front centre zone – with powerBoost (max. kW)	-	-
Front left zone – with powerBoost (max. kW)	3.10	-
Front right zone – with powerBoost (max. kW)	3.70	-

■ Yes, model has this feature. – Feature not available for this model.
 All models comply with COMMISSION (EC) No. 1275/2008 with regard to ecodesign requirements for standby and off mode electric power consumption.
¹Max 3 sensors at any time. "Ready" identifies products with feature enabled, sensor available as additional purchase. If sensor is supplied, number supplied is detailed.
²On 60cm model, the single centre aux inductor can work only with either the left or right zones. On the 80cm models, there are two aux inductors, one allocated each to the left and right zones. No bridge is possible to use 2 aux zones together.
 Data valid in this table as of October 2023. Subject to modification without prior notice.

Induction hob specifications



APPLIANCE TYPE	INDUCTION HOBS					
Design family	iQ500	iQ100	iQ100	iQ100	iQ100	
Model number	ED651FSB5E	EH801FVB1E	EH601FEB1E	EH845FVB1E	EH645FEB1E	
DESIGN						
Width (mm)	592	792	572	795	583	
Control position	Front	Front	Front	Front	Front	
Control type	touchSlider	touchSlider	touchSlider	touchSlider	touchSlider	
Style	Three sided bevel	Flush fit	Flush fit	Steel frame	Steel frame	
KEY FEATURES						
Home Connect	-	-	-	-	-	
cookConnect	-	-	-	-	-	
Full Touch colour display with dish categories	-	-	-	-	-	
cookingSensor Plus ready ¹	-	-	-	-	-	
fryingSensor	-	-	-	-	-	
Number of flexInduction zones	-	-	-	-	-	
Extended flexInduction Zone ²	-	-	-	-	-	
Number of combiZones	1	-	-	-	-	
powerBoost	■	■	■	■	■	
panBoost	-	-	-	-	-	
powerMove	2 stages	-	-	-	-	
FEATURES						
Number of individual zones	4	5	4	5	4	
Power levels	17	17	17	17	17	
Digital display	■	■	■	■	■	
QuickStart	■	■	■	■	■	
Restart function	■	■	■	■	■	
quickStop	■	-	-	-	-	
flexMotion automatic setting transfer	-	-	-	-	-	
Wipe protection function	■	■	■	■	■	
Keep warm function	-	-	-	-	-	
Energy consumption display	■	■	■	■	■	
Demo mode	-	-	-	-	-	
SAFETY FEATURES						
Main on/off switch	■	■	■	■	■	
Residual heat Indicator	■	■	■	■	■	
Safety lock	■	■	■	■	■	
Timer with automatic switch off for each zone	■	■	■	■	■	
Count up timer / Automatic pan recognition	- / ■	- / ■	- / ■	- / ■	- / ■	
PERFORMANCE / TECHNICAL INFORMATION						
Nominal voltage (V)	220-240	220-240	220-240	220-240	220-240	
Maximum power output (W) / Electrical cable length (cm)	6,900 / 110	7,400 / 110	7,400 / 110	7,400 / 110	7,400 / 110	
GB plug	-	-	-	-	-	
One continuous cooking zone – power (kW) / dimensions (mm)	-	-	-	-	-	
One continuous cooking zone – with powerBoost (max. kW)	-	-	-	-	-	
Rear left flexInduction zone – power (kW) / dimensions (mm)	2.20	190 x 210	-	-	-	
Rear left zone – power (kW) / diameter (mm)	-	-	1.40	145	1.80	180
Rear right flexInduction zone – power (kW) / dimensions (mm)	-	-	-	-	-	-
Rear right zone – power (kW) / diameter (mm)	1.40	145	1.40	145	1.40	145
Rear centre zone – power (kW) / diameter (mm)	-	-	2.20	240	-	-
Front centre zone – power (kW) / diameter (mm)	-	-	-	-	-	-
Front left flexInduction zone – power (kW) / dimensions (mm)	2.20	190 x 210	-	-	-	-
Front left zone – power (kW) / diameter (mm)	-	-	1.80	180	1.80	180
Front right flexInduction zone – power (kW) / dimensions (mm)	-	-	-	-	-	-
Front right zone – power (kW) / diameter (mm)	1.80	180	2.20	210	2.20	210
flexInduction Zone left – power (kW) / dimensions (mm)	3.60	380 x 210	-	-	-	-
flexInduction Zone right – power (kW) / dimensions (mm)	-	-	-	-	-	-
Extended flexInduction rear left – power (kW) / dimensions (mm)	-	-	-	-	-	-
Extended flexInduction rear right – power (kW) / dimensions (mm)	-	-	-	-	-	-
CombiZone left – power (kW) / dimensions (mm)	-	-	-	-	-	-
CombiZone right – power (kW) / dimensions (mm)	-	-	-	-	-	-
Rear left zone – with powerBoost (max. kW)	3.70	2.20	3.10	2.20	3.10	
Rear right zone – with powerBoost (max. kW)	2.20	2.20	2.20	2.20	2.20	
Rear centre zone – with powerBoost (max. kW)	-	3.70	-	3.70	-	
Front centre zone – with powerBoost (max. kW)	-	-	-	-	-	
Front left zone – with powerBoost (max. kW)	3.70	3.10	3.10	3.10	3.10	
Front right zone – with powerBoost (max. kW)	3.10	3.70	3.70	3.70	3.70	

■ Yes, model has this feature. – Feature not available for this model.
 All models comply with COMMISSION (EC) No. 1275/2008 with regard to ecodesign requirements for standby and off mode electric power consumption.
¹Max 3 sensors at any time. "Ready" identifies products with feature enabled, sensor available as additional purchase. If sensor is supplied, number supplied is detailed.
²On 60cm model, the single centre aux inductor can work only with either the left or right zones. On the 80cm models, there are two aux inductors, one allocated each to the left and right zones.
 No bridge is possible to use 2 aux zones together.
 Data valid in this table as of October 2023. Subject to modification without prior notice.

Induction hob specifications



APPLIANCE TYPE	INDUCTION HOBS			
Design family	iQ100	iQ100	iQ100	iQ100
Model number	EU631FEB1E	EU611BEB5E	EU611BEB5B	EU61RAGA5B
DESIGN				
Width (mm)	592	592	592	592
Control position	Front	Front	Front	Front
Control type	touchSlider	touchControl	touchControl	touchControl
Style	Front bevel	Frameless	Front bevel	Frameless
KEY FEATURES				
Home Connect	-	-	-	-
cookConnect	-	-	-	-
Full Touch colour display with dish categories	-	-	-	-
cookingSensor Plus ready ¹	-	-	-	-
fryingSensor	-	-	-	-
Number of flexInduction zones	-	-	-	-
Extended flexInduction Zone ²	-	-	-	-
Number of combiZones	-	-	-	-
powerBoost	■	■	■	Rear left only
panBoost	-	-	-	-
powerMove	-	-	-	-
FEATURES				
Number of individual zones	4	4	4	4
Power levels	17	17	17	9
Digital display	■	■	■	■
QuickStart	■	■	■	■
Restart function	■	■	■	-
quickStop	-	■	■	■
flexMotion automatic setting transfer	■	-	-	-
Wipe protection function	■	-	-	-
Keep warm function	-	-	-	-
Energy consumption display	■	-	-	-
Demo mode	-	-	-	-
SAFETY FEATURES				
Main on/off switch	■	■	■	■
Residual heat Indicator	■	■	■	■
Safety lock	■	■	■	■
Timer with automatic switch off for each zone	■	■	■	■
Count up timer / Automatic pan recognition	- / ■	- / ■	- / ■	- / ■
PERFORMANCE / TECHNICAL INFORMATION				
Nominal voltage (V)	220-240	220-240	220-240	220-240
Maximum power output (W) / Electrical cable length (cm)	4,600 / 110	4,600 / 110	3,700 / 110	3,700 / 110
GB plug	-	-	■	■
One continuous cooking zone – power (kW) / dimensions (mm)	-	-	-	-
One continuous cooking zone – with powerBoost (max. kW)	-	-	-	-
Rear left flexInduction zone – power (kW) / dimensions (mm)	-	-	-	-
Rear left zone – power (kW) / diameter (mm)	1.80	180	1.80	180
Rear right flexInduction zone – power (kW) / dimensions (mm)	-	-	-	-
Rear right zone – power (kW) / diameter (mm)	1.40	145	1.40	145
Rear centre zone – power (kW) / diameter (mm)	-	-	-	-
Front centre zone – power (kW) / diameter (mm)	-	-	-	-
Front left flexInduction zone – power (kW) / dimensions (mm)	-	-	-	-
Front left zone – power (kW) / diameter (mm)	1.80	180	1.80	180
Front right flexInduction zone – power (kW) / dimensions (mm)	-	-	-	-
Front right zone – power (kW) / diameter (mm)	2.20	210	2.20	210
flexInduction Zone left – power (kW) / dimensions (mm)	-	-	-	-
flexInduction Zone right – power (kW) / dimensions (mm)	-	-	-	-
Extended flexInduction rear left – power (kW) / dimensions (mm)	-	-	-	-
Extended flexInduction rear right – power (kW) / dimensions (mm)	-	-	-	-
CombiZone left – power (kW) / dimensions (mm)	-	-	-	-
CombiZone right – power (kW) / dimensions (mm)	-	-	-	-
Rear left zone – with powerBoost (max. kW)	3.10	3.10	3.00	3.10
Rear right zone – with powerBoost (max. kW)	2.20	2.20	2.20	-
Rear centre zone – with powerBoost (max. kW)	-	-	-	-
Front centre zone – with powerBoost (max. kW)	-	-	-	-
Front left zone – with powerBoost (max. kW)	3.10	3.10	3.00	-
Front right zone – with powerBoost (max. kW)	3.70	3.70	3.00	-

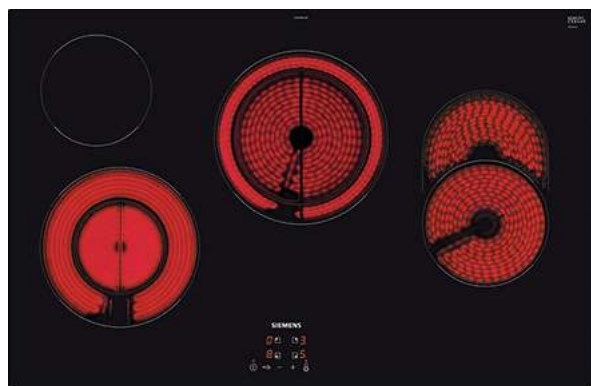
■ Yes, model has this feature. – Feature not available for this model.
 All models comply with COMMISSION (EC) No. 1275/2008 with regard to ecodesign requirements for standby and off mode electric power consumption.
¹Max 3 sensors at any time. "Ready" identifies products with feature enabled, sensor available as additional purchase. If sensor is supplied, number supplied is detailed.
²On 60cm model, the single centre aux inductor can work only with either the left or right zones. On the 80cm models, there are two aux inductors, one allocated each to the left and right zones.
 No bridge is possible to use 2 aux zones together.
 Data valid in this table as of October 2023. Subject to modification without prior notice.

quickLite ceramic hobs

iQ300 ET81RBHA1D

Ceramic hob
Black glass

80cm



quickLite ceramic hob specifications

APPLIANCE TYPE		QUICKLITE CERAMIC HOB	
Design family		iQ300	
Model number		ET81RBHA1D	
DESIGN			
Width (mm)		802	
Control position		Front	
Control type		touchControl	
Style		Frameless	
FEATURES			
Number of individual zones		4	
Number of dual zones		1	
Number of extendable zones		2	
powerBoost		-	
Power levels		17	
Digital display		■	
Restart function		■	
Energy consumption display		-	
Main on/off switch		■	
SAFETY FEATURES			
Residual heat indicator		■	
Timer with automatic switch off for each zone		■	
Safety lock		-	
Safety time switch off		■	
Wipe protection function		-	
PERFORMANCE / TECHNICAL INFORMATION			
Nominal voltage (V)		220-240	
Maximum power output (W)		7,400	
Electrical cable length (cm)		-	
GB plug		-	
Rear left zone – power (kW) / diameter (mm)		1.2	145
Rear right zone – power (kW) / diameter (mm)		-	-
Rear centre zone – power (kW) / diameter (mm)		1.5 (2.4)	180 (230)
Front centre zone – power (kW) / diameter (mm)		-	-
Front left zone – power (kW) / diameter (mm)		0.75 (2.2)	120 (210)
Front right zone – power (kW) / diameter (mm)		1.8 (2.6)	170 (265)
Rear left zone – with powerBoost (max. kW)		-	-
Rear right zone – with powerBoost (max. kW)		-	-
Rear centre zone – with powerBoost (max. kW)		-	-
Front centre zone – with powerBoost (max. kW)		-	-
Front left zone – with powerBoost (max. kW)		-	-
Front right zone – with powerBoost (max. kW)		-	-

■ Yes, model has this feature. – Feature not available for this model.
All models comply with COMMISSION (EC) No. 1275/2008 with regard to ecodesign requirements for standby and off mode electric power consumption.
Data valid in this table as of October 2023. Subject to modification without prior notice.

quickLite ceramic hob specifications



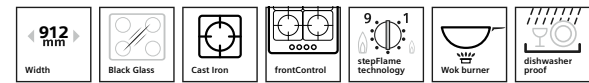
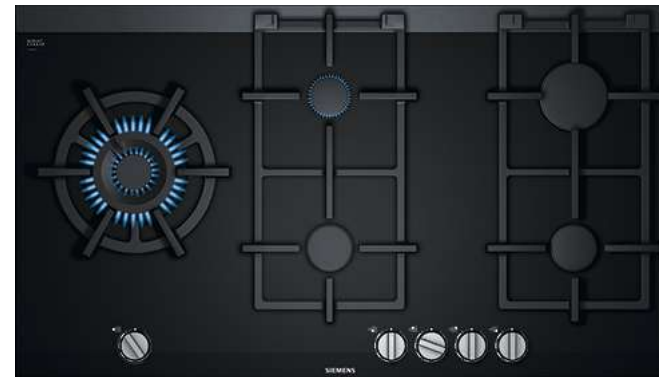
APPLIANCE TYPE		iQ100		iQ100	
Design family		ET61RBEA1E		ET61RCEA1E	
Model number		ET61RBEA1E		ET61RCEA1E	
DESIGN					
Width (mm)		592		592	
Control position		Front		Right hand-side	
Control type		touchControl		Dials	
Style		Frameless		Frameless	
FEATURES					
Number of individual zones		4		4	
Number of dual zones		-		-	
Number of extendable zones		-		-	
powerBoost		-		-	
Power levels		17		9	
Digital display		■		-	
Restart function		■		-	
Energy consumption display		-		-	
Main on/off switch		■		-	
SAFETY FEATURES					
Residual heat indicator		■		■	
Timer with automatic switch off for each zone		-		-	
Safety lock		■		-	
Safety time switch off		■		-	
Wipe protection function		-		-	
PERFORMANCE / TECHNICAL INFORMATION					
Nominal voltage (V)		220-240		220-240	
Maximum power output (W)		6600		6600	
Electrical cable length (cm)		-		-	
GB plug		-		-	
Rear left zone – power (kW) / diameter (mm)		2	180	2.2	210
Rear right zone – power (kW) / diameter (mm)		1.2	145	1.2	145
Rear centre zone – power (kW) / diameter (mm)		-	-	-	-
Front centre zone – power (kW) / diameter (mm)		-	-	-	-
Front left zone – power (kW) / diameter (mm)		1.2	145	1.2	145
Front right zone – power (kW) / diameter (mm)		2.2	210	2	180
Rear left zone – with powerBoost (max. kW)		-	-	-	-
Rear right zone – with powerBoost (max. kW)		-	-	-	-
Rear centre zone – with powerBoost (max. kW)		-	-	-	-
Front centre zone – with powerBoost (max. kW)		-	-	-	-
Front left zone – with powerBoost (max. kW)		-	-	-	-
Front right zone – with powerBoost (max. kW)		-	-	-	-

■ Yes, model has this feature. – Feature not available for this model.
All models comply with COMMISSION (EC) No. 1275/2008 with regard to ecodesign requirements for standby and off mode electric power consumption.
Data valid in this table as of October 2023. Subject to modification without prior notice.

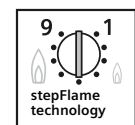
Gas hobs

iQ700 ER9A6SB70

Gas hob
Black ceramic glass **90cm**



2
Year Warranty



stepFlame technology
Introducing the ground-breaking innovation in gas hobs: stepFlame. Offering 9 precise power levels to give you the control of an electric hob, with gas.

Gas hob specifications

APPLIANCE TYPE		GAS HOB	
Design family		iQ700	
Model number		ER9A6SB70	
Stainless steel / stainless steel trim		■	
Black / premium black		-	
DESIGN			
Hob surface type		Ceramic glass	
Width (mm)		912	
Control position		Front	
Comfort Profile		■	
Can be combined with other models with Comfort Profile		■	
Installation flush with work top possible		-	
KEY FEATURES			
stepFlame Technology		■	
Digital power level display		-	
Number of dual circuit wok style burners ¹		1	
High power (5.0kW+) wok burner ²		■	
Dual control wok burner ³		■	
FEATURES			
Number of cooking zones		5	
Individual power levels		9	
Variable power levels		-	
Cast iron pan supports		3	
Cast iron finish pan supports		-	
Dishwasher safe pan supports ⁴		■	
Low profile single piece burners		■	
Two piece burners		-	
SAFETY FEATURES			
Ignition via control dials		■	
Flame failure safety device		■	
PERFORMANCE / TECHNICAL INFORMATION			
Nominal voltage (V)		220-240	
Maximum gas power output load (A)		13,700	
Total connected electrical load (max. W)		2.0	
Cable length (cm)		150	
GB plug		-	
Left burner power (kW)		6.00	
Front left burner power (kW)		-	
Back left burner power (kW)		-	
Centre/Centre front burner power (kW)		1.90	
Centre back burner power (kW)		1.10	
Front right burner power (kW)		1.90	
Back right burner power (kW)		2.80	
Right burner power (kW)		-	
Pre-set for natural gas		■	
CE Marked		■	
STANDARD ACCESSORIES			
Wok stand ⁵		■	
LPG jets		28-30 / 37mbar	
OPTIONAL ACCESSORIES			
Connecting Strip to link to other Comfort Profile models		HZ394301	

■ Yes, model has this feature. - Feature not available for this model.
All models comply with COMMISSION (EC) No. 1275/2008 with regard to ecodesign requirements for standby and off mode electric power consumption.

¹Dual circuit means standard outer flame ring plus 2nd inner flame ring.
²High power output for rapid heating – especially valuable for flash and wok frying.
³Dual control means the inner and outer rings of a dual circuit burner can be controlled independently.
⁴Pan supports can be cleaned in the dishwasher. Supports have special additional coating and hand finishing of enamel.
⁵For round based pans.

Data valid in this table as of October 2023. Subject to modification without prior notice.

Gas hob specifications

APPLIANCE TYPE		GAS HOB		
Design family		iQ500	iQ500	iQ500
Model number		EP9A6SB90	EP7A6QB90	EP6A6HB20
Stainless steel / stainless steel trim		-	-	-
Black / premium black		■	■	■
DESIGN				
Hob surface type		Tempered glass	Tempered glass	Tempered glass
Width (mm)		915	752	600
Control position		Front	Front	Front
Comfort Profile		-	-	-
Can be combined with other models with Comfort Profile		-	-	-
Installation flush with work top possible		■	■	■
KEY FEATURES				
stepFlame Technology		■	■	■
Digital power level display		-	-	-
Number of dual circuit wok style burners ¹		1	1	1
High power (5.0kW+) wok burner ²		-	-	-
Dual control wok burner ³		■	■	-
FEATURES				
Number of cooking zones		5	5	4
Individual power levels		9	9	9
Variable power levels		-	-	-
Cast iron pan supports		5	5	4
Cast iron finish pan supports		-	-	-
Dishwasher safe pan supports ⁴		-	-	-
Low profile single piece burners		-	-	-
Two piece burners		■	■	■
SAFETY FEATURES				
Ignition via control dials		■	■	■
Flame failure safety device		■	■	■
PERFORMANCE / TECHNICAL INFORMATION				
Nominal voltage (V)		220-240	220-240	220-240
Maximum gas power output load (A)		11,500	11,500	8,000
Total connected electrical load (max. W)		1.1	1.1	1.1
Cable length (cm)		150	100	100
GB plug		-	-	-
Left burner power (kW)		4.00	-	-
Front left burner power (kW)		-	1.00	1.75
Back left burner power (kW)		-	1.75	1.75
Centre/Centre front burner power (kW)		1.00	4.00	-
Centre back burner power (kW)		1.75	-	-
Front right burner power (kW)		1.75	1.75	1.00
Back right burner power (kW)		3.00	3.00	3.50
Right burner power (kW)		-	-	-
Pre-set for natural gas		■	■	■
CE Marked		■	■	■
STANDARD ACCESSORIES				
Wok stand ⁵		-	-	-
LPG jets		28-30 / 37mbar	28-30 / 37mbar	28-30 / 37mbar
OPTIONAL ACCESSORIES				
Connecting Strip to link to other Comfort Profile models		-	-	-

■ Yes, model has this feature. - Feature not available for this model.
All models comply with COMMISSION (EC) No. 1275/2008 with regard to ecodesign requirements for standby and off mode electric power consumption.

¹Dual circuit means standard outer flame ring plus 2nd inner flame ring.
²High power output for rapid heating – especially valuable for flash and wok frying.
³Dual control means the inner and outer rings of a dual circuit burner can be controlled independently.
⁴Pan supports can be cleaned in the dishwasher. Supports have special additional coating and hand finishing of enamel.
⁵For round based pans.

Data valid in this table as of October 2023. Subject to modification without prior notice.

Gas hob specifications



APPLIANCE TYPE	GAS HOBS		
Design family	IQ500	IQ500	IQ500
Model number	EC9A5S890	EC7A5R890	EC6A5HC90
Stainless steel / stainless steel trim	■	■	■
Black / premium black	-	-	-
DESIGN			
Hob surface type	Metal	Metal	Metal
Width (mm)	915	750	582
Control position	Front	Front	Front
Comfort Profile	-	-	-
Can be combined with other models with Comfort Profile	-	-	-
Installation flush with work top possible	-	-	-
KEY FEATURES			
stepFlame Technology	■	■	■
Digital power level display	-	-	-
Number of dual circuit wok style burners ¹	1	1	1
High power (5.0kW+) wok burner ²	■	■	-
Dual control wok burner ³	■	■	■
FEATURES			
Number of cooking zones	5	5	4
Individual power levels	9	9	9
Variable power levels	-	-	-
Cast iron pan supports	3	3	2
Cast iron finish pan supports	-	-	-
Dishwasher safe pan supports ⁴	-	-	-
Low profile single piece burners	-	-	-
Two piece burners	■	■	■
SAFETY FEATURES			
Ignition via control dials	■	■	■
Flame failure safety device	■	■	■
PERFORMANCE / TECHNICAL INFORMATION			
Nominal voltage (V)	220-240	220-240	220-240
Maximum gas power output load (A)	12,500	12,500	8,000
Total connected electrical load (max. W)	1.1	1.1	1.1
Cable length (cm)	150	100	100
GB plug	-	-	-
Left burner power (kW)	5.00	-	-
Front left burner power (kW)	-	1.00	1.75
Back left burner power (kW)	-	1.75	1.75
Centre/Centre front burner power (kW)	1.00	5.00	-
Centre back burner power (kW)	1.75	-	-
Front right burner power (kW)	1.75	1.75	1.00
Back right burner power (kW)	3.00	3.00	3.50
Right burner power (kW)	-	-	-
Pre-set for natural gas	■	■	■
CE Marked	■	■	■
STANDARD ACCESSORIES			
Wok stand ⁵	-	-	-
LPG jets	28-30 / 37mbar	28-30 / 37mbar	28-30 / 37mbar
OPTIONAL ACCESSORIES			
Connecting Strip to link to other Comfort Profile models	-	-	-

■ Yes, model has this feature. – Feature not available for this model.
All models comply with COMMISSION (EC) No. 1275/2008 with regard to ecodesign requirements for standby and off mode electric power consumption.

¹Dual circuit means standard outer flame ring plus 2nd inner flame ring.
²High power output for rapid heating – especially valuable for flash and wok frying.
³Dual control means the inner and outer rings of a dual circuit burner can be controlled independently.
⁴Pan supports can be cleaned in the dishwasher. Supports have special additional coating and hand finishing of enamel.
⁵For round based pans.

Data valid in this table as of October 2023. Subject to modification without prior notice.

Gas hob specifications



APPLIANCE TYPE	GAS HOBS		
Design family	IQ500	IQ300	IQ100
Model number	EC6A5PB90	EG785Q890	EB685PB60
Stainless steel / stainless steel trim	■	■	■
Black / premium black	-	-	-
DESIGN			
Hob surface type	Metal	Metal	Metal
Width (mm)	582	750	580
Control position	Front	Front	Right side
Comfort Profile	-	-	-
Can be combined with other models with Comfort Profile	-	-	-
Installation flush with work top possible	-	-	-
KEY FEATURES			
stepFlame Technology	■	-	-
Digital power level display	-	-	-
Number of dual circuit wok style burners ¹	-	1	-
High power (5.0kW+) wok burner ²	-	-	-
Dual control wok burner ³	-	-	-
FEATURES			
Number of cooking zones	4	5	4
Individual power levels	9	9	-
Variable power levels	-	-	■
Cast iron pan supports	2	3	-
Cast iron finish pan supports	-	-	2
Dishwasher safe pan supports ⁴	-	-	-
Low profile single piece burners	-	-	-
Two piece burners	■	■	■
SAFETY FEATURES			
Ignition via control dials	■	■	■
Flame failure safety device	■	■	■
PERFORMANCE / TECHNICAL INFORMATION			
Nominal voltage (V)	220-240	220-240	220-240
Maximum gas power output load (A)	7,500	10,800	7,400
Total connected electrical load (max. W)	1.0	1.0	0.8
Cable length (cm)	100	150	100
GB plug	-	-	-
Left burner power (kW)	-	-	-
Front left burner power (kW)	1.75	1.00	3.00
Back left burner power (kW)	1.75	1.75	1.70
Centre/Centre front burner power (kW)	-	3.3	-
Centre back burner power (kW)	-	-	-
Front right burner power (kW)	1.00	1.75	1.00
Back right burner power (kW)	3.00	3.00	1.70
Right burner power (kW)	-	-	-
Pre-set for natural gas	■	■	■
CE Marked	■	■	■
STANDARD ACCESSORIES			
Wok stand ⁵	-	-	-
LPG jets	28-30 / 37mbar	28-30 / 37mbar	28-30 / 37mbar
OPTIONAL ACCESSORIES			
Connecting Strip to link to other Comfort Profile models	-	-	-

■ Yes, model has this feature. – Feature not available for this model.
All models comply with COMMISSION (EC) No. 1275/2008 with regard to ecodesign requirements for standby and off mode electric power consumption.

¹Dual circuit means standard outer flame ring plus 2nd inner flame ring.
²High power output for rapid heating – especially valuable for flash and wok frying.
³Dual control means the inner and outer rings of a dual circuit burner can be controlled independently.
⁴Pan supports can be cleaned in the dishwasher. Supports have special additional coating and hand finishing of enamel.
⁵For round based pans.

Data valid in this table as of October 2023. Subject to modification without prior notice.

Domino hobs

iQ500 ET475FYB1E

Teppan Yaki domino hob
Steel/black glass

40cm



Flexible cooking to your exact tastes:

Flexible cooking to your exact tastes: Create your own bespoke cooking area with a modular domino hob mix. If one hob is not enough or if you prefer a mix of fuel types, take a look through our selection of domino cooktops. The Siemens range offers specialist models such as a Teppan Yaki or single wok burner, which are perfect as an add-on to your current hob. The sleek black designs with steel dials or touchSlider controls perfectly bring the range together, meaning a combination can be installed to create your ideal cooking station.



Domino hob specifications

APPLIANCE TYPE	TEPPAN YAKI DOMINO HOB
Design family	iQ500
Model number	ET475FYB1E
DESIGN	
Stainless steel / Stainless steel trim	-
Domino Hob Type	Teppan Yaki
Black/Premium black	-
Hob surface type	Stainless Steel
Width (mm)	392
Control position	Front
Controls	touchSlider
KEY FEATURES	
powerMove Plus	-
Quick start function	-
restart function	-
Time for individual zones	-
power boost setting	-
stepFlame Technology	-
Digital power level display	■
Number of dual circuit wok style burners ¹	-
High power (5.0kW+) wok burner ²	-
Dual control wok burner ³	-
Dishwasher safe pan supports ⁴	-
Safety time switch off	■
Childproof Lock	■
FEATURES	
Number of cooking zones	1
Individual power levels	17
Variable power levels	■
Ignition via control dials	-
Flame failure safety device	-
Cast iron pan supports (number)	-
Cast iron finish pan supports (number)	-
Enamelled steel pan supports (number)	-
Low profile single piece burners	-
Two piece burners	-
Comfort Profile	-
Can be combined with other models with Comfort Profile	-
Installation flush with work top possible	-
PERFORMANCE / TECHNICAL INFORMATION	
Nominal voltage (V)	220-240
Maximum gas power output load (W)	-
Total connected electrical load (max. W)	1900.0
Minimum Fuse Protection (A)	13A
Cable length (cm)	100
GB plug	-
Temperature range (°C)	160-240
Centre/Centre front burner power (kW)	-
Centre back burner power (kW)	-
Power induction front centre	-
Power induction rear centre	-
Max power centre flexInduction zone	-
Pre-set for natural gas	-
CE Marked	■
STANDARD ACCESSORY	
Wok stand ⁵	-
LPG jets	-
OPTIONAL ACCESSORY	
Connecting Strip to link to other Comfort Profile models	-

■ Yes, model has this feature. – Feature not available for this model.
 All models comply with COMMISSION (EC) No. 1275/2008 with regard to ecodesign requirements for standby and off mode electric power consumption.
¹Dual circuit means standard outer flame ring plus 2nd inner flame ring.
²High power output for rapid heating – especially valuable for flash and wok frying.
³Dual control means the inner and outer rings of a dual circuit burner can be controlled independently.
⁴Pan supports can be cleaned in the dishwasher. Supports have special additional coating and hand finishing of enamel.
⁵For round based pans.
Data valid in this table as of October 2023. Subject to modification without prior notice.

Domino hob specifications

APPLIANCE TYPE	FLEXINDUCTION DOMINO HOB	WOK DOMINO GAS HOB	DOMINO GAS HOB
Design family	iQ700	iQ700	iQ700
Model number	Stainless steel / stainless steel trim EX375FXB1E	ER3A6A870	ER3A6B870
DESIGN			
Stainless steel / Stainless steel trim	-	■	■
Domino Hob Type	Flex Induction	Gas Hob	Gas Hob
Black/Premium black	■	-	-
Hob surface type	Ceramic Glass	Ceramic glass	Ceramic glass
Width (mm)	302	302	302
Control position	Front	Front	Front
Controls	touchSlider	Dials	Dials
KEY FEATURES			
powerMove Plus	■	-	-
Quick start function	■	-	-
restart function	■	-	-
Time for individual zones	■	-	-
power boost setting	■	-	-
stepFlame Technology	-	■	■
Digital power level display	■	-	-
Number of dual circuit wok style burners ¹	-	1	-
High power (5.0kW+) wok burner ²	-	■	-
Dual control wok burner ³	-	■	-
Dishwasher safe pan supports ⁴	■	■	■
Safety time switch off	■	-	-
Childproof Lock	■	-	-
FEATURES			
Number of cooking zones	2	1	2
Individual power levels	17	9	9
Variable power levels	-	-	-
Ignition via control dials	-	■	■
Flame failure safety device	-	■	■
Cast iron pan supports (number)	-	1 x dishwasher safe	1 x dishwasher safe
Cast iron finish pan supports (number)	-	-	-
Enamelled steel pan supports (number)	-	-	-
Low profile single piece burners	-	■	■
Two piece burners	-	-	-
Comfort Profile	-	■	■
Can be combined with other models with Comfort Profile	-	■	■
Installation flush with work top possible	-	-	-
PERFORMANCE / TECHNICAL INFORMATION			
Nominal voltage (V)	220-240	220-240	220-240
Maximum gas power output load (W)	-	6,000	4,700
Total connected electrical load (max. W)	3700.0	2.0	2.0
Minimum Fuse Protection (A)	-	3A	3A
Cable length (cm)	110	100	100
GB plug	-	-	-
Temperature Range (°C)	-	-	-
Centre/Centre front burner power (kW)	-	6.00	1.90
Centre back burner power (kW)	-	-	2.80
Power induction front centre	2.2kW	-	-
Power induction rear centre	2.2kW	-	-
Max power centre flexInduction zone	3.7kW	-	-
Pre-set for natural gas	-	■	■
CE Marked	■	■	■
STANDARD ACCESSORIES			
Wok stand ⁵	-	■	-
LPG jets	-	28-30 / 37mbar	28-30 / 37mbar
OPTIONAL ACCESSORIES			
Connecting strip to link to other Comfort Profile models	-	HEZ394301	HEZ394301

■ Yes, model has this feature. – Feature not available for this model.
 All models comply with COMMISSION (EC) No. 1275/2008 with regard to ecodesign requirements for standby and off mode electric power consumption.
¹Dual circuit means standard outer flame ring plus 2nd inner flame ring.
²High power output for rapid heating – especially valuable for flash and wok frying.
³Dual control means the inner and outer rings of a dual circuit burner can be controlled independently.
⁴Pan supports can be cleaned in the dishwasher. Supports have special additional coating and hand finishing of enamel.
⁵For round based pans.
Data valid in this table as of October 2023. Subject to modification without prior notice.

Hob technical diagrams

inductionAir Plus venting hobs ED851FQ15E, ED811BS16E and EH811BE15E

A: Minimum distance from the hob cut-out to the wall.
B: Recessing depth.
C: The worktop into which the hob is installed must withstand loads of approx. 60kg; suitable substructures must be used if required.
D: Cut-out in back panel required for pipework. Exact size and position can be taken from specific drawing.

Ducted and unducted ventilation technical diagrams can be found online

inductionAir Plus venting hob ED711FQ15E

A: Minimum distance from the hob cut-out to the wall.
B: Recessing depth.
C: The worktop into which the hob is installed must withstand loads of approx. 60kg; suitable substructures must be used if required.
D: Cut-out in back panel required for pipework. Exact size and position can be taken from specific drawing.

Ducted and unducted ventilation technical diagrams can be found online

Venting hob ED611BS16E and EH611BE15E

A: Minimum distance from the hob cut-out to the wall.
B: Recessing depth.
C: The worktop into which the hob is installed must withstand loads of approx. 60kg; suitable substructures must be used if required.
D: Cut-out in back panel required for pipework. Exact size and position can be taken from specific drawing.

Ducted and unducted ventilation technical diagrams can be found online

flexInduction hobs EX975KXW1E and EX975LVV1E

A: Minimum distance from the hob cut-out to the wall.
B: Recessing depth.
C: The clearance between the surface of the worktop and the top of the front of the oven must be 30 mm. See space requirements for the oven.

The worktop into which the hob is installed must withstand loads of approx. 60 kg; suitable substructures must be used if required.

D	E	F
585-600	50	≥ 35
> 600	≥ 50	≥ 50

flexInduction hobs EX875KYW1E and EX879FVC1E

A: Minimum distance from the hob cut-out to the wall.
B: Recessing depth.
C: The clearance between the surface of the worktop and the top of the front of the oven must be 30 mm. See space requirements for the oven.

The worktop into which the hob is installed must withstand loads of approx. 60 kg; suitable substructures must be used if required.

D	E	F
585-600	50	≥ 35
> 600	≥ 50	≥ 50

flexInduction hobs EX675JYW1E and EX675LXV1E

A: Minimum distance from the hob cut-out to the wall.
B: Recessing depth.
C: The clearance between the surface of the worktop and the top of the front of the oven must be 30 mm. See space requirements for the oven.

The worktop into which the hob is installed must withstand loads of approx. 60 kg; suitable substructures must be used if required.

D	E	F
585-600	50	≥ 35
> 600	≥ 50	≥ 50

flexInduction hob EX275FXB1E

A: Minimum distance from the hob cut-out to the wall.
B: Recessing depth.
C: The clearance between the surface of the worktop and the top of the front of the oven must be 30 mm. See space requirements for the oven.

The worktop into which the hob is installed must withstand loads of approx. 60 kg; suitable substructures must be used if required.

flexInduction and induction hobs EX851FVC1E and ED851FWB5E

A: Minimum distance from the hob cut-out to the wall.
B: Recessing depth.
C: The clearance between the surface of the worktop and the top of the front of the oven must be 30 mm. See space requirements for the oven.

The worktop into which the hob is installed must withstand loads of approx. 60 kg; suitable substructures must be used if required.

D	E	F
585-600	50	≥ 35
> 600	≥ 50	≥ 50

flexInduction and induction hobs EX651FEC1E, ED651FSB5E, EU631FEB1E, EU611BEB5E and EU611BEB5B

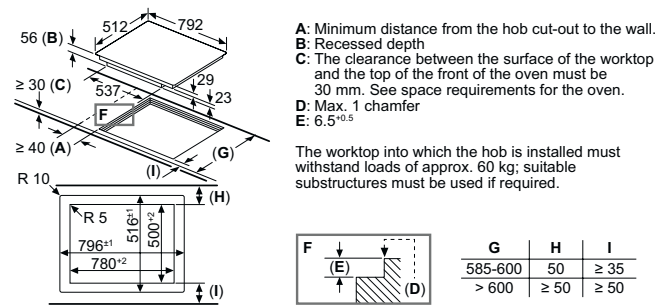
A: Minimum distance from the hob cut-out to the wall.
B: Recessing depth.
C: The clearance between the surface of the worktop and the top of the front of the oven must be 30 mm. See space requirements for the oven.

The worktop into which the hob is installed must withstand loads of approx. 60 kg; suitable substructures must be used if required.

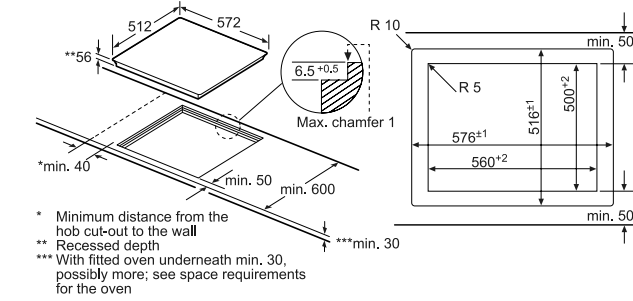
D	E	F
585-600	50	≥ 35
> 600	≥ 50	≥ 50

Hob technical diagrams

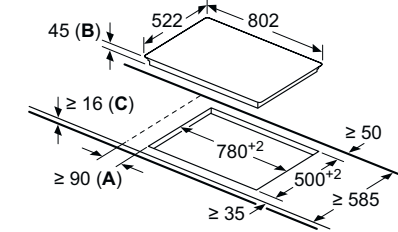
Induction hob EH801FVB1E



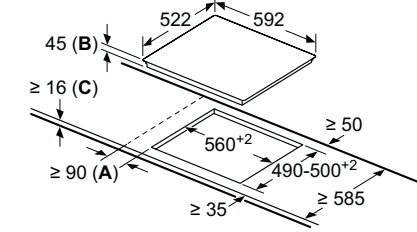
Induction hob EH601FEB1E



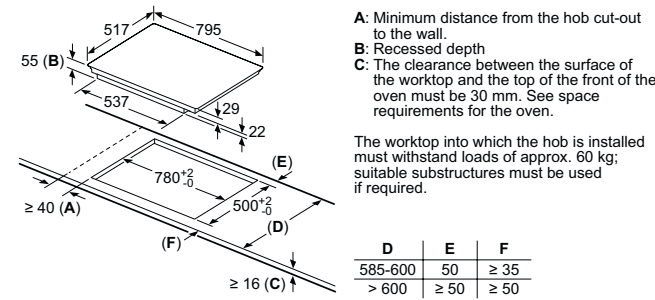
quickLite ceramic hob ET81RBHA1D



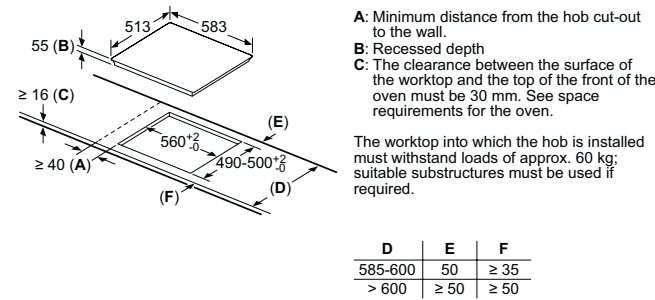
quickLite hob ET61RBEA1E



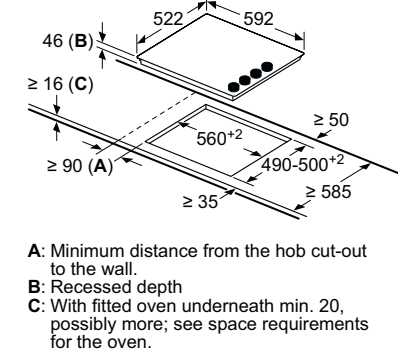
Induction hob EH845FVB1E



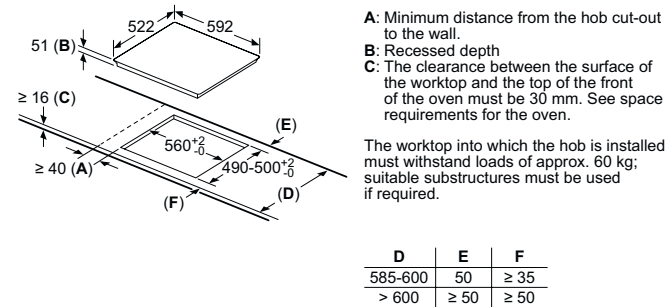
Induction hob EH645FEB1E



quickLite ceramic hob ET61RCEA1E

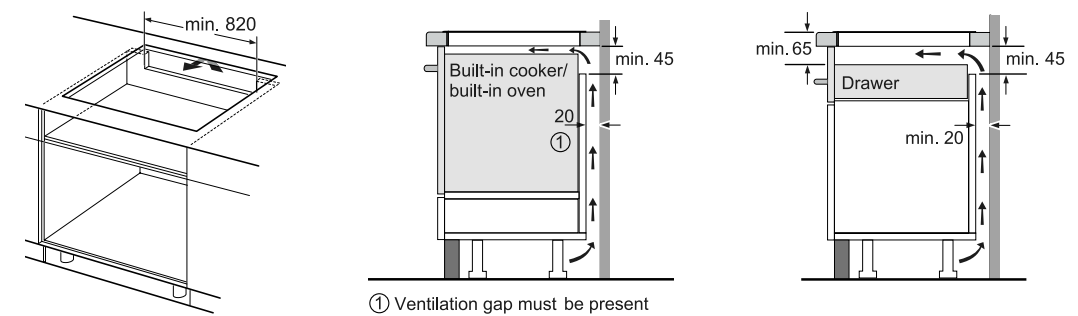


Induction hob EU61RAGA5B



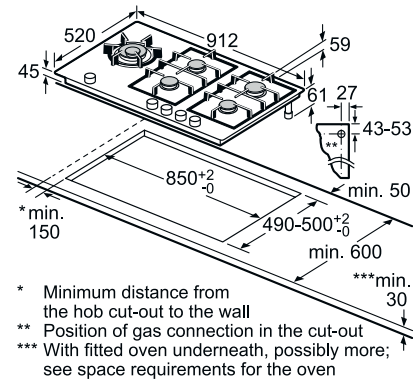
For all flexInduction, induction and quickLite ceramic hobs

Below are diagrams for installation applicable to all flexInduction, induction and quickLite ceramic hobs

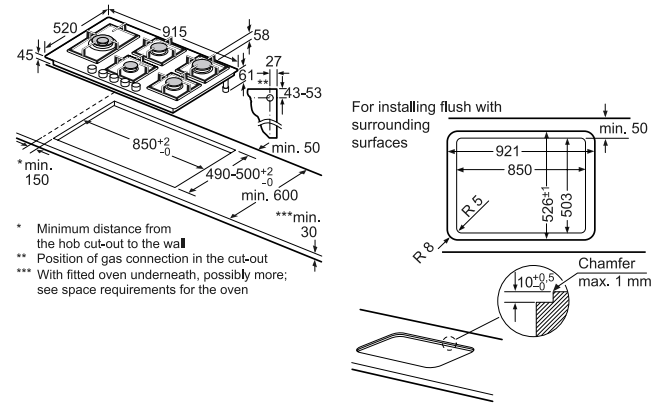


Hob technical diagrams

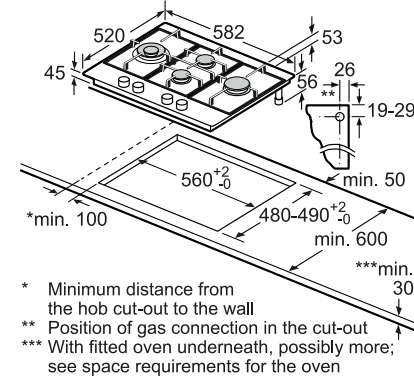
Gas hob ER9A6SB70



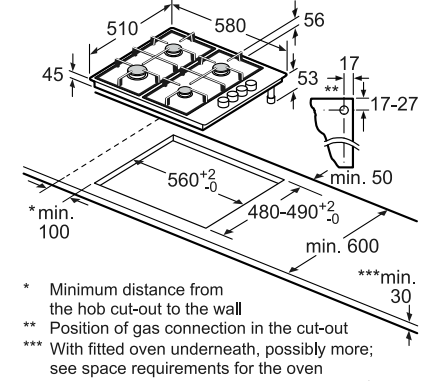
Gas hob EP9A6SB90



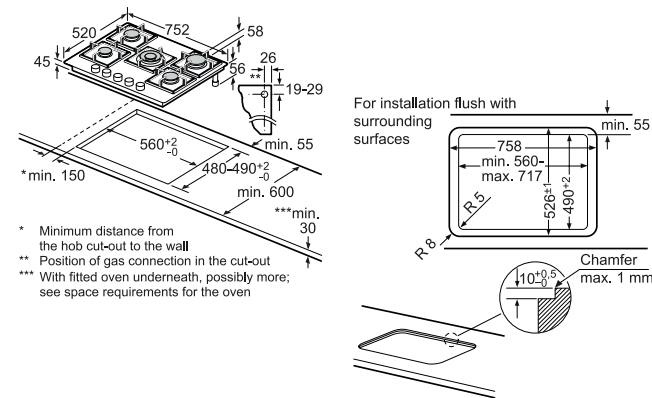
Gas hobs EC6A5HC90 and EC6A5PB90



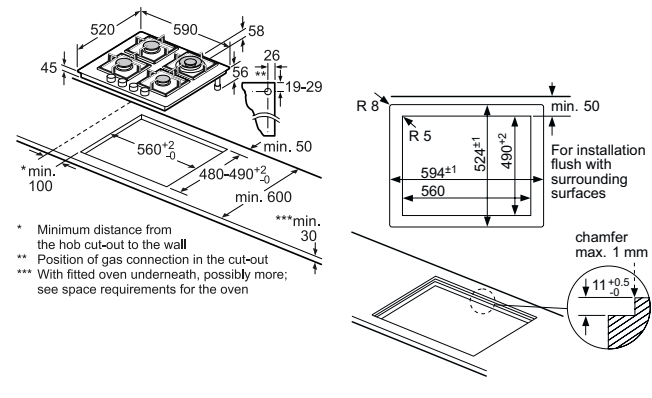
Gas hob EB6B5PB60



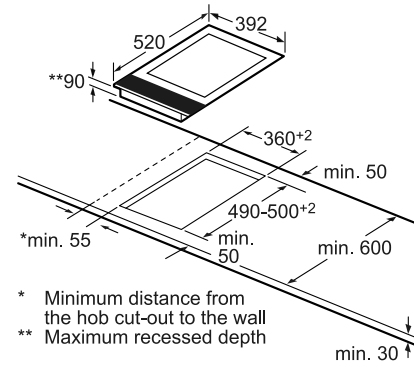
Gas hob EP7A6QB90



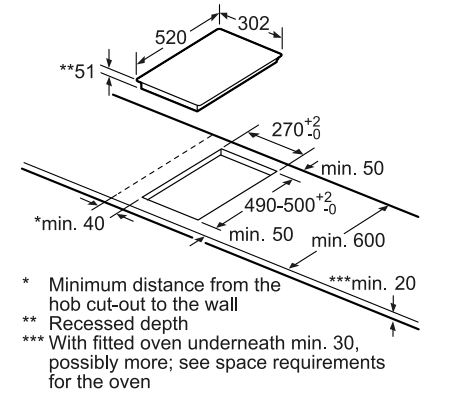
Gas hob EP6A6HB20



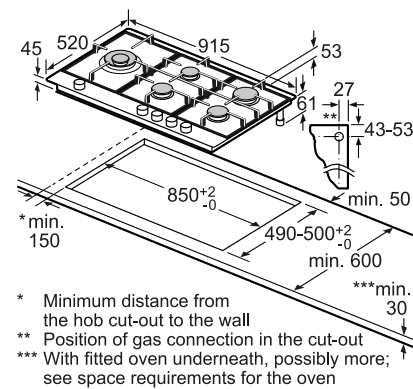
Teppan yaki domino hob ET475FYB1E



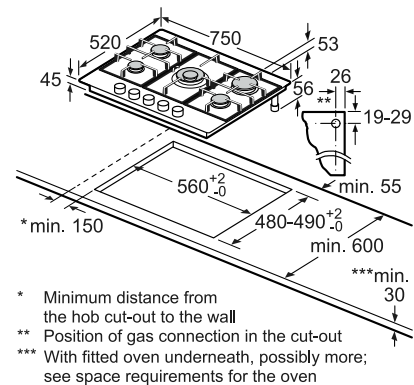
flexInduction domino hob EX375FXB1E



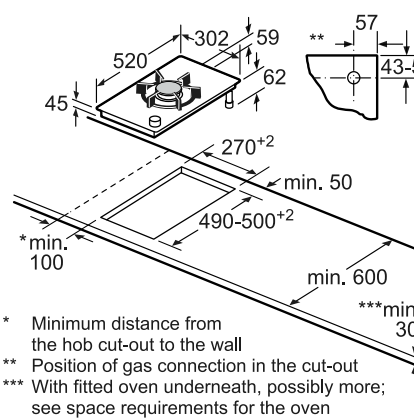
Gas hob EC9A5SB90



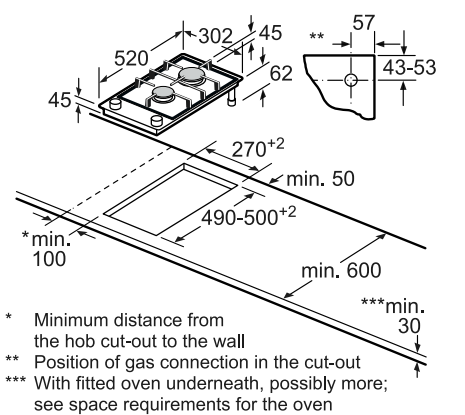
Gas hobs EC7A5RB90 and EG7B5QB90



Wok domino gas hob ER3A6AB70



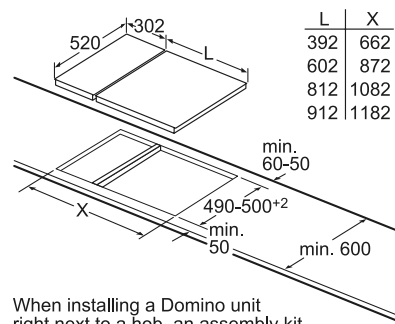
Domino gas hob ER3A6BB70



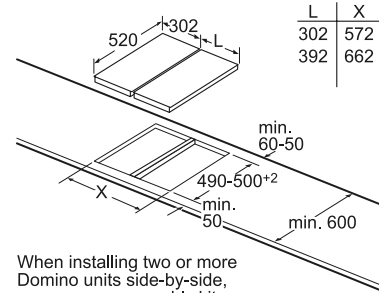
Hob technical diagrams

Domino hob combination installation

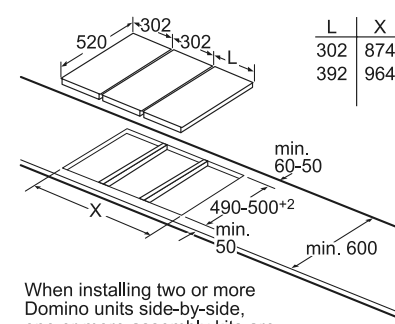
Below are diagrams showing the possible combinations for installing your Domino hob



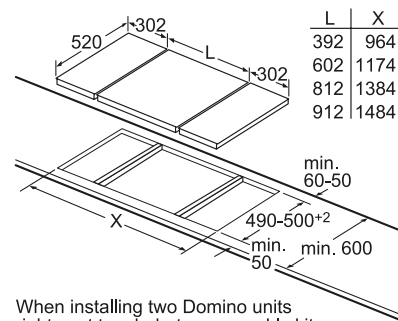
When installing a Domino unit right next to a hob, an assembly kit (HZ394301) is required.



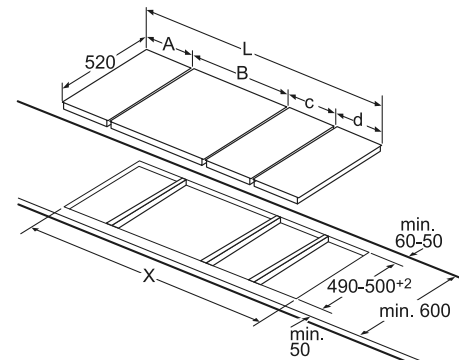
When installing two or more Domino units side-by-side, one or more assembly kits are required (2 units = 1 assembly kit, 3 units = 2 assembly kits, etc.).



When installing two or more Domino units side-by-side, one or more assembly kits are required (2 units = 1 assembly kit, 3 units = 2 assembly kits, etc.).



When installing two Domino units right next to a hob, two assembly kits (HZ394301) are required.



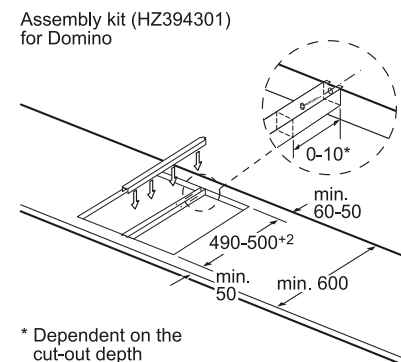
If two or more elements are installed right next to one another, one or several installation kits are required (2 elements 1 installation kit, 3 elements 2 installation kits, etc.).

Cutout dimension (X) depending on the combination see table:

Domino combination possibilities with corresponding device and cutout dimensions

Width type: 30 40 60 70 80 90
Device width: 302 392 602 710 812 912

	A	B	C	D	L	X
2x30	302	302	-	-	604	572
1x30, 1x40	302	392	-	-	694	662
1x30, 1x60	302	602	-	-	904	872
1x30, 1x70	302	710	-	-	1012	980
1x30, 1x80	302	812	-	-	1114	1082
1x30, 1x90	302	912	-	-	1214	1182
2x40	392	392	-	-	784	752
1x40, 1x60	392	602	-	-	994	962
1x40, 1x70	392	710	-	-	1102	1070
1x40, 1x80	392	812	-	-	1204	1172
1x40, 1x90	392	912	-	-	1304	1272
3x30	302	302	302	-	906	874
2x30, 1x40	302	302	392	-	996	964
2x30, 1x60	302	302	602	-	1206	1174
2x30, 1x70	302	302	710	-	1314	1282
2x30, 1x80	302	302	812	-	1416	1384
2x30, 1x90	302	302	912	-	1516	1484
1x30, 2x40	302	392	392	-	1086	1054
1x30, 1x40, 1x60	302	392	602	-	1296	1264
1x30, 1x40, 1x70	302	392	710	-	1404	1372
1x30, 1x40, 1x80	302	392	812	-	1506	1474
1x30, 1x40, 1x90	302	392	912	-	1606	1574
3x40	392	392	392	-	1176	1144
2x40, 1x60	392	392	602	-	1386	1354
4x30	302	302	302	302	1208	1176
3x30, 1x40	302	302	302	392	1298	1266
2x30, 2x40	302	302	392	392	1388	1356
1x30, 3x40	302	392	392	392	1478	1446



* Dependent on the cut-out depth

Hoods. Outstanding performance, intelligently designed

The kitchen is the heart of the home. Not only is it a place to cook, it is a place to entertain, relax after a hard day's work, or spend time with friends and family.

Whether you choose a sleek ceiling hood, state-of-the-art glassdraftAir hood, a stylish chimney hood or integrated style hood our solutions will provide innovative design and a stylish finish to your kitchen. Selected Siemens hoods come with a quiet and energy efficient motor so you can cook in a more comfortable surrounding.

Siemens hoods work hard to keep your kitchen space fresh, and air cleaner whilst also providing ambient lighting. There is a hood for all kitchen designs, including the inductionAir Plus which combines an advanced induction hob with a high-performance extractor for even clearer views in your kitchen. See the hobs section for details on the inductionAir Plus (pages 74, 75, 82 and 83).



Model shown: LD98WMM60B
glassdraftAir hood

SPHOOTH

Siemens hood warranties:



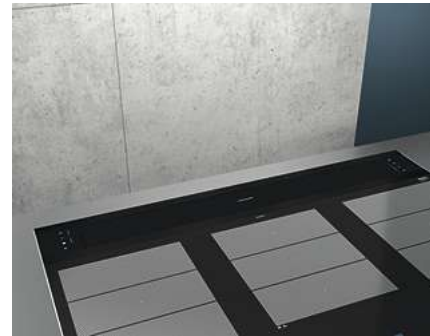
2 Year Warranty

A Two Year Warranty is available on all Siemens hoods listed in this brochure to protect against manufacturing and material faults during this warranty period.

To find out more about your warranty and for registration, please visit:
siemens-home.bsh-group.com/uk/customer-service/siemens-warranties

Installation solutions for every kitchen

Worktop installation.
glassdraftAir ventilation.



The perfect solution for keeping your kitchen design clear and with unhindered sightlines, the glassdraftAir stylish premium glass panel retracts fully into the unit when not in use. When in operation, its unique transparent design adds a subtle highlight to your kitchen, while its innovative Guided Air technology guarantees excellent performance from all cooking zones.

LD98WMM60B glassdraftAir ventilation

Ceiling installation.
Island and ceiling hoods.



Ideal if your hob is in the centre of your room. Our ceiling hoods can either be bold design statements installed over island units, or blend as unobtrusively into the ceiling itself as standard kitchen lighting.



LR97CAQ50B ceiling hood - flat motor design

Wall installation.
Decorative hoods, glass, box and pyramid chimney hoods.



LC91KWW60B angled hood



LC97AFM50B curved glass chimney hood



LC94PBC50B pyramid hood



LC97BHM50B box chimney hood

Our stylish wall-mounted ventilation can be as beautiful and design led as they are effective. Our stunning angled hoods feature emotionLight Pro lighting that allows you to choose from 256 colours using the Home Connect app so you can create ambience in your living space. Our more traditional pyramid chimney and curved glass chimney hoods provide a classic but contemporary ventilation solution.

Integrated furniture installation.
Canopy, telescopic and integrated hoods.



LB78574GB canopy hood



LI97SA561B telescopic hood



LE63MAC00B integrated hood

If you need to blend the hood into existing wall-mounted kitchen units, you can choose from a number of options perfect for mounting inside a cupboard space. These concealed hoods are ideal for a sleek modern kitchen.



Model shown: LF91 BUV50B island hood

The power to perform.

A chosen hood must be powerful enough to effectively remove moisture and cooking odours from a kitchen. We recommend the hood should be able to change the air in the kitchen 6-12 times per hour. Using this quick calculation, you can check whether a hood is sufficiently powerful. Firstly, calculate the volume of the kitchen (HxWxD metres). Next multiply that figure by 12. The resulting figure is the ideal extraction rate required in intensive mode. Match this to a lower power level on the hood to avoid having to run at full power for increased efficiency.

FOR EXAMPLE

Room: 4m x 4m x 2.5m = 40m³

12 changes per hour in intensive operation: 12 x 40m³ = 480m³/h

So the hood must achieve >480m³/h in intensive mode.



Recirculation filters.

	STANDARD ODOUR FILTER	CLEANAIR FILTER*	CLEANAIR PLUS FILTER*	LONG LIFE REGENERATIVE FILTER*
standard high performance or regenerative				
Lifetime	6-12 months	6-12 months	12 months	10 years
Benefits	Simple installation, Anti-fish treatment	Increased surface area, Up to 3dB (A) sound reduction, improved extraction and performance, Anti-fish treatment	Anti-pollen functionality: the filter retains 99% of airborne pollen and deactivates allergens which are retained by the filter. Increased surface area, Up to 3dB (A) sound reduction, improved extraction and performance, Anti-fish treatment	High odour reduction, Up to 3dB (A) sound reduction in the oven every 4 months recommended (2 hours, 200°C), Improved extraction performance

*CleanAir and Regenerative filters not available for all styles of hood. Additional module may be required to house the filter. Images for example only, different filters may come in a different size and style.

Hood installation options

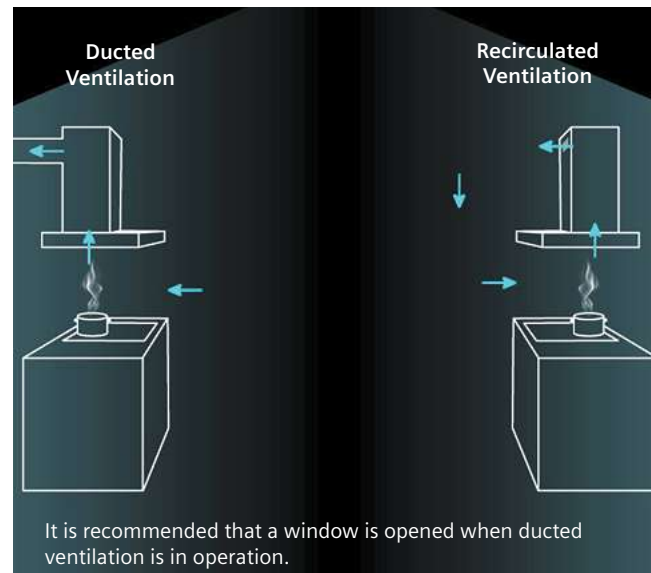
Ducted or recirculated?

For optimum performance, your extractor hood should be ducted to the outside of the house, so that the extracted air is vented outside. But sometimes this is not practical, so most Siemens hoods can also operate in recirculating mode; where the air is passed through a metal filter to remove grease, and then through a carbon filter to remove odours before being directed back into the kitchen.

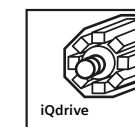
Although the extraction rate is slightly lower when using this method than ducted extraction and the carbon odour filter will need to be replaced, recirculating the air offers an energy efficient benefit; cool air is retained in the home in the summer and warm air does not vent out during winter months.

- Ducted Ventilation**
- Extracts steam and odours
 - Effective planning of ducting system required

- Recirculated Ventilation**
- Removes over 90% of odours with cleanAir filters
 - Easy to install – no ducting required
 - Separate recirculation kit required



State-of-the-art efficiency with our iQ700 hoods with iQ drive.



Siemens iQ700 hoods feature innovative technology that saves energy. This is thanks to the highly efficient, durable brushless iQdrive motor which is powerful, but requires very little energy to run. Capable of handling odours and grease in the most challenging cooking situations, and specially designed to last longer. The brushless iQdrive motor at the heart of our selected iQ700 hoods is capable of extracting a measured value of up to 991m³/h in our most powerful hood*.

*LC91KWW60B



Completely automatic ventilation

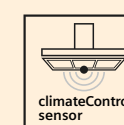
Control two appliances with one: cookConnect.

Explore more seamless cooking experiences by using the cookConnect system to connect your hob and hood, so they work together effortlessly.



cookConnect system

Let your hob and hood work together with cookConnect by connecting the two appliances through the Home Connect App. Once connected just switch on the hob and the hood will start automatically. Smart sensors in the hood detect steam and odours to adjust and optimise the extraction rate to keep your kitchen fresh and the steam under control. In addition to automatic extraction the lights will also illuminate your cooking space as soon as you turn the hob on. When you are finished, you no longer need to worry about turning the hood off as the hood will turn itself off automatically once the climateControl sensor detects no further changes in the air quality.



climateControl sensor

The climateControl sensor automatically adjusts the power level of the hood depending on the level of steam and odours keeping the kitchen fresher without having to manually adjust the power yourself. The climateControl Sensor is activated by selecting the "auto" button.



Hood key features



Smart hoods make cooking a breeze.

Home Connect

Explore more versatile ways of cooking with Siemens smart hoods. Control the lighting, select a power level, or even the fan run-on option, directly using your smartphone, tablet or smartwatch.

Take connected cooking a step further by using our voice control partner, Amazon Alexa, to also control these settings. Ask Alexa how to clean the filter, set ambient lights and start extraction, to name a few. All of these features also work with Google Home, making it

Through the app you can even activate the automatic mode climateControl sensor, where the hood extractor will adjust its extraction rate depending on the amount of steam and odours so you have less to worry about when cooking.

With the cookConnect system you can even utilise the Home Connect App to connect your hood and hob together. This feature allows you to change your hood settings from the hob, so you have complete control from just one appliance.

Lighting to match your mood. Your extractor hood, your style, your light.



emotionLight Pro

Your extractor hood now adapts to your taste. Simply choose between many different background light colours – for an extractor hood that matches your preferences. The colour range is extendable via the Home Connect App, choose from 256 colours.

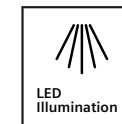
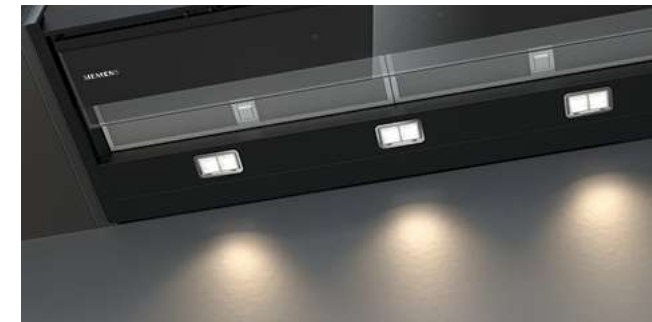
Using our partner, IFTTT, you can now set up Applets to change the colour of your hood depending on a variety of factors. For example if you purchased a Siemens oven with Home Connect, you could programme the hood colour to change to red when the oven finishes cooking. Simple ways to create new possibilities in your household.



Models shown below: **LC91KWW60B**
black glass angled chimney hood showing
emotionLight colour examples



Other lighting options.



LED Illumination

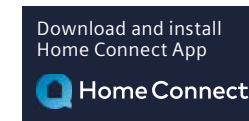
All Siemens hoods are equipped with state-of-the-art LED lighting, ensuring the hob is illuminated evenly and clearly.



softLight with Dimmer

Allows you to dim the lights of the hood, perfect for when you are finished cooking and want to create a subtle glow in your kitchen.

Controlling your hood.



Home Connect and voice control

Activate and control your Wi-Fi enabled hood by using the Home Connect app or by speaking to Amazon Alexa or Google Home to take your connected cooking experience to the next level.

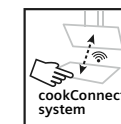


touchControl

The design of touchControl is integrated into the black glass panel for easy control at the touch of a finger, not to mention sleek design and easy cleaning.

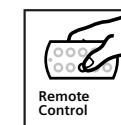


Model shown: **LC97GHM50B** touchControl



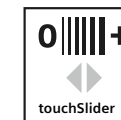
cookConnect system

Hobs featuring cookConnect technology talk to cookConnect hoods via Wi-Fi and automatically adjust by themselves.



Remote control

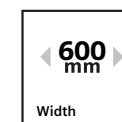
With a hood installed in the ceiling it is important to have complete control. Siemens ceiling hoods come with a remote control to change and manage each setting with ease.



touchSlider

Control your Siemens hood with ease by simply sliding your finger along the touchSlider to select the power level. Stunning design meets sleek control with touchSlider.

Other product features.



Width

Indicates the width of the hood. Siemens offer a wide range of hoods to fit different sized niches with our range of hobs. For optimal results, the cooker hood should be at least as wide as the hob. Our hood widths range from 370-900mm.



Energy efficient hoods*

Siemens hoods feature innovations that make them incredibly energy efficient to run, from our durable and quiet brushless iQdrive motor to LED lighting.

*For individual product energy efficiency ratings please check individual product specifications.

Intensive setting

The intensive setting creates a powerful boost of extraction, perfect for tackling demanding food such as stir fry or steamed vegetables. This ensures moisture is properly eradicated, without misting windows and keeping the kitchen air fresher.

Boost Position

For our Angled and Flat hoods, the Boost Position is enabled by slightly pulling the front panel out to capture more steam and draw more air through the hood, which is particularly effective when frying meat or fish.

Interval Operation

With interval ventilation, the hood switches on automatically at the lowest level for 10 minutes every hour, to keep the air in the kitchen refreshed. The interval ventilation switches off after 24 hours.

Automatic after running time

This convenient feature reduces cooking odours by allowing the extractor to carry on running automatically after cooking has finished at a low speed for 3-30 minutes - the duration the extractor carries on for depends on the model.

Filter indication indicator system

The filter saturation indicators let you know when your hood's grease filters need to be cleaned with an illuminated symbol on the hood. For hoods installed with a recirculation filter, the saturation indicator will also notify you when the recirculation filter should be replaced or regenerated (depending on type of filter installed).

Worktop ventilation



Model shown: LD98WMM60B glassdraftAir hood

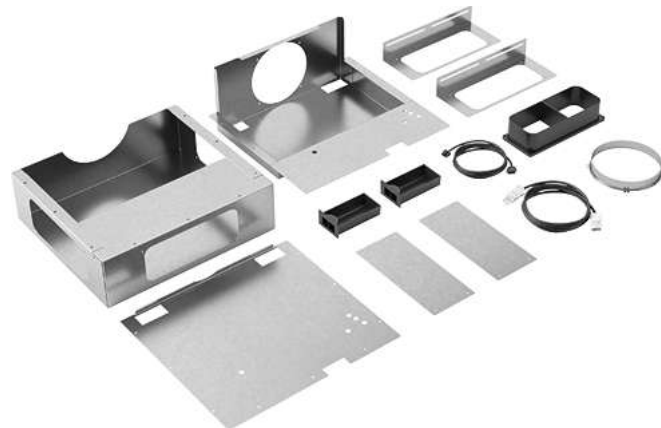
The finishing touch for your kitchen. Now with flexible installation.

Extract cooking smells at source with the iQ700 glassdraftAir hood, ideal for keeping the sightlines of open plan kitchens. Conveniently placed within the worktop, this elegant hood can be automatically raised when needed, then disappears at the touch of a button. There is no need to worry about losing all your storage space beneath as you can place the motor somewhere more convenient with the remote installation kit.

The Siemens Remote Motor Installation Mounting Kit (LZ21WWM11) frees up space under the worktop and provides the option to mount the motor up to 3 metres away from the appliance. Image for illustrative purposes only. Ducting not supplied.



Model shown: LD98WMM60B glassdraftAir hood



iQ700 LD98WMM60B

glassdraftAir Hood
Black with clear glass



Home Connect

glassdraftAir Hoods specifications

APPLIANCE TYPE	GLASSDRAFTAIR HOODS
Design family	iQ700
Model number	LD98WMM60B
Colour	Black glass
KEY FEATURES	
emotionLight Pro	–
Home Connect	–
cookConnect hob based hood control	■
climateControl sensor	■
Adjustable LED white colour temperature	–
iQdrive®	■
Intensive setting / Automatic intensive revert ¹	■ / ■
Grease / charcoal filter saturation indicators	■ / ■
FEATURES	
Suitable for ducted / recirculating operation	■ / ■
Type of control	Touch control
Power levels	3 + 2 intensive
Electronic power level display	–
Interval operation	–
Automatic after running (minutes)	10
Lighting	LED
softLight with dimmer function	–
Number of metal grease filter cassettes	2
PERFORMANCE / TECHNICAL INFORMATION	
Appliance width (mm)	912
Extraction Rate in m³/h ^{2,3}	
- ducted / recirculating at power level 1	229 / 172
- ducted / recirculating at power level 2	389 / 367
- ducted / recirculating at power level 3	519 / 472
- ducted / recirculating at power level 4 or intensive setting 1	630 / 482
- ducted / recirculating, intensive setting or intensive setting 2	833 / 596
Noise level (sound power) based on dB [A] re 1pW ^{3,4}	
- ducted / recirculating at power level 1	41 / 43
- ducted / recirculating at power level 2	56 / 59
- ducted / recirculating at power level 3	62 / 65
- ducted / recirculating at power level 4 or intensive setting 1	– / –
- ducted / recirculating, intensive setting or intensive setting 2	71 / 71
Pipe outlet diameter (mm)	150
Minimum distance above an electric / gas hob ⁵ (mm)	–
GB plug	■
Energy rating	A
OPTIONAL ACCESSORIES ⁶	
Long Life (10 year Regenerative) Recirculation Kit 90cm	LZ21WWJ12
CleanAir Plus Anti-Pollen Recirculation Kit 90cm	LZ21WWI17
Seamless Installation Kit 90cm	LZ29WWY12 M
Remote Motor Installation Kit	LZ21WWM11

■ Yes, model has this feature. – Feature not available for this model.
¹Power automatically reverts back to normal setting after intensive.
²Air Flow and noise declarations made in line with CECEC Code of Conduct.
³Measured according to EN61591 on largest pipe diameter.
⁴Sound power measured according to EN60704-3 on largest pipe diameter.
⁵From top of pan supports.
⁶A type of recirculating kit is required if recirculating. Depending on the model, a 'Recirculating odour filter kit' will consist of the following items: Charcoal filter, flexible hose, air duct, fixing components, installation instructions.
Data valid in this table as of October 2023. Subject to modification without prior notice.

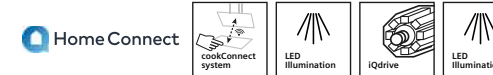
Ceiling hoods



iQ500 LR96CAQ50B

Ceiling hood – Flat Motor Design
Stainless steel

90cm



Ceiling hood specifications

APPLIANCE TYPE	CEILING FLAT MOTOR	CEILING	CEILING COMPACT MOTOR
Design family	iQ500	iQ500	iQ500
Model number	LR96CAQ50B	LR97CAQ50B	LR97CAP21B
Colour	Stainless steel	Stainless steel	Stainless steel
KEY FEATURES			
emotionLight Pro	–	–	–
Home Connect	■	■	–
cookConnect hob based hood control	■	■	–
climateControl sensor	–	–	–
Adjustable LED white colour temperature	–	–	–
Reduced size motor	Flat	–	Compact
iQdrive®	■	■	■
Intensive setting / Automatic intensive revert ¹	■ / ■	■ / ■	■ / ■
Grease / charcoal filter saturation indicators	■ / ■	■ / ■	■ / ■
FEATURES			
Suitable for ducted / recirculating operation	■ / ■	■ / ■	■ / ■
Type of control	Remote control	Remote control	Remote control
Power levels	3 + 2 intensive	3 + 2 intensive	3 + 1 intensive
Electronic power level display	–	–	–
Interval operation	■	■	■
Automatic after running (minutes)	10	10	10
Lighting	4 x LED lights	4 x LED lights	4 x LED lights
softLight with dimmer function	■	■	■
Number of metal grease filter cassettes	2	2	2
PERFORMANCE / TECHNICAL INFORMATION			
Appliance width (mm)	900	900	900
Extraction Rate in m³/h ^{2,4}			
– ducted / recirculating at power level 1	252 / 198	265 / 200	190 / 167
– ducted / recirculating at power level 2	336 / 257	335 / 316	265 / 221
– ducted / recirculating at power level 3	434 / 336	458 / 422	400 / 423
– ducted / recirculating at power level 4 or intensive setting 1	581 / 466	594 / 513	–
– ducted / recirculating, intensive setting or intensive setting 2	734 / 574	798 / 565	690 / 588
Noise level (sound power) based on dB [A] re 1pW ^{3,5}			
– ducted / recirculating at power level 1	47 / 48	41 / 46	48 / 50
– ducted / recirculating at power level 2	55 / 55	47 / 57	55 / 58
– ducted / recirculating at power level 3	61 / 61	56 / 63	65 / 69
– ducted / recirculating at power level 4 or intensive setting 1	68 / 71	62 / 67	–
– ducted / recirculating, intensive setting or intensive setting 2	72 / 74	68 / 69	73 / 74
Pipe outlet diameter (mm)	150	150	150
Minimum distance above an electric / gas hob ⁶ (mm)	650/650	650/650	650/900
GB plug	■	■	■
Energy rating	A	A	B
OPTIONAL ACCESSORIES ⁴			
Recirculation Filter Kit	–	–	–
CleanAir Recirculating Flat Module (Stainless Steel)	LZ21JXC51	–	LZ21JXC51
CleanAir Recirculating Flat Module (White)	LZ21JXC21	–	LZ21JXC21
CleanAir Plus Recirculating Module (Stainless Steel)	–	LZ21JCC56	–
CleanAir Plus Recirculating Module (White)	–	LZ21JCC26	–
Long Life Regenerative Recirculation Module (Stainless Steel)	–	LZ20JCD50	–
Long Life Regenerative Recirculation Module (White)	–	LZ20JCD20	–
Replacement cleanAir Plus Anti-Pollen Filter (12 month lifespan) for: LR97CAQ50B	–	LZ31XX816	–



Flat or compact motor?

Flat motor

The flat motor ceiling hoods benefit from a lower profile and flush fit, allowing a lower 200mm built-in height compared to a standard motor, which helps it to seamlessly fit into your ceiling. They are the perfect choice for those who want a sleek and discreet design.

Compact motor

The compact design of these hoods allow for easy installation between existing ceiling joists. Their motor rotates in 4 directions for added fitting flexibility.

¹ Yes, model has this feature. – Feature not available for this model.

²Power automatically reverts back to normal setting after intensive.

³Air Flow and noise declarations made in line with CECEC Code of Conduct.

⁴Measured according to EN61591 on largest pipe diameter.

⁵Sound power measured according to EN60704-3 on largest pipe diameter.

⁶From top of pan supports.

^AA type of recirculating kit is required if recirculating. Depending on the model, a 'Recirculating odour filter kit' will consist of the following items: Charcoal filter, flexible hose, air duct, fixing components, installation instructions.

Data valid in this table as of October 2023. Subject to modification without prior notice.

Island hoods



Model shown: LF91BUV50B island hood

iQ700 LF91BUV50B

Island hood
Stainless steel



Home Connect



Island hood specifications

APPLIANCE TYPE	ISLAND	
	iQ700	iQ800
Design family	LF91BUV50B	LF97GBM50B
Model number	LF91BUV50B	LF97GBM50B
Colour	Stainless steel	Stainless steel & glass
KEY FEATURES		
emotionLight Pro	-	-
Home Connect	■	-
cookConnect hob based hood control	■	-
climateControl sensor	■	-
Adjustable LED white colour temperature	-	-
iQdrive®	■	-
Intensive setting / Automatic intensive revert ¹	■ / ■	■ / ■
Grease / charcoal filter saturation indicators	■ / ■	- / -
FEATURES		
Suitable for ducted / recirculating operation	■ / ■	■ / ■
Type of control	Touch control	Touch control
Power levels	3 + 2 intensive	3 + 1 intensive
Electronic power level display	■	-
Interval operation	-	-
Automatic after running (minutes)	10	-
Lighting	4 x LED lights	4 x LED lights
softLight with dimmer function	■	■
Number of metal grease filter cassettes	3	2
PERFORMANCE / TECHNICAL INFORMATION		
Appliance width (mm)	898	898
Extraction Rate in m³/h ^{2,3}		
- ducted / recirculating at power level 1	283 / 171	243 / 173
- ducted / recirculating at power level 2	443 / 315	328 / 253
- ducted / recirculating at power level 3	597 / 359	429 / 315
- ducted / recirculating at power level 4 or intensive setting 1	815 / 392	- / -
- ducted / recirculating, intensive setting or intensive setting 2	980 / 427	732 / 384
Noise level (sound power) based on dB [A] re 1pW ^{4,4}		
- ducted / recirculating at power level 1	43 / 59	47 / 62
- ducted / recirculating at power level 2	55 / 69	54 / 69
- ducted / recirculating at power level 3	62 / 72	60 / 73
- ducted / recirculating at power level 4 or intensive setting 1	69 / 74	- / -
- ducted / recirculating, intensive setting or intensive setting 2	73 / 76	71 / 77
Pipe outlet diameter (mm)	150 / 120	150 / 120
Minimum distance above an electric / gas hob ⁵ (mm)	550 / 650	550 / 650
GB plug	■	■
Energy rating	A+	B
OPTIONAL ACCESSORIES ⁶		
CleanAir Standard Recirculation Kit	LZ22CB114	LZ21CG114
1600mm chimney extension for Island Extractors	LZ12385	-
1100mm chimney extension for Island Extractors	-	LZ12285
1000mm mounting kit extension for Island Extractors	LZ12530	-
500mm mounting kit extension for Island Extractors	LZ12510	-
CleanAir Plus External Recirculation Module (Stainless Steel)	LZ22CX56	LZ21CX56
Long Life External Recirculation Module (Stainless Steel)	LZ22FXD51	-

■ Yes, model has this feature. - Feature not available for this model.

¹Power automatically reverts back to normal setting after intensive.

²Air Flow and noise declarations made in line with CECEC Code of Conduct.

³Measured according to EN61591 on largest pipe diameter.

⁴Sound power measured according to EN60704-3 on largest pipe diameter.

⁵From top of pan supports.

⁶A type of recirculating kit is required if recirculating. Depending on the model, a 'Recirculating odour filter kit' will consist of the following items: Charcoal filter, flexible hose, air duct, fixing components, installation instructions.

Data valid in this table as of October 2023. Subject to modification without prior notice.

For specification details, please visit siemens-home.bsh-group.com/uk and download a full specification sheet.

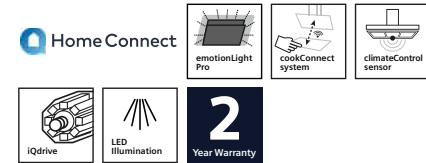
For the full range of accessories, please visit our online accessory shop at siemens-home.bsh-group.com/uk/shop or call our Spares Department on 0344 892 8999.

Decorative hoods

iQ 700 LC91KWW60B

Angled glass chimney hood
Black glass

90cm



Home Connect



Angled hood specifications

APPLIANCE TYPE	ANGLED GLASS CHIMNEY HOOD
Design family	iQ 700
Model number	LC91KWW60B
Colour	Black glass
KEY FEATURES	
emotionLight Pro	■
Home Connect	■
cookConnect hob based hood control	■
climateControl sensor	■
Adjustable LED white colour temperature	-
iQdrive®	■
Intensive setting / Automatic intensive revert ¹	■ / ■
Grease / charcoal filter saturation indicators	■ / ■
FEATURES	
Suitable for ducted / recirculating operation	■ / ■
Type of control	Touch Control
Power levels	3 + 2 intensive
Electronic power level display	■
Interval operation	-
Automatic after running (minutes)	10
Lighting	2 x LED lights
softLight with dimmer function	■
Number of metal grease filter cassettes	2
PERFORMANCE / TECHNICAL INFORMATION	
Appliance width (mm)	890
Extraction Rate in m³/h ^{2,3}	
- ducted / recirculating at power level 1	293 / 199
- ducted / recirculating at power level 2	393 / 347
- ducted / recirculating at power level 3	525 / 447
- ducted / recirculating at power level 4 or intensive setting 1	712 / 539
- ducted / recirculating, intensive setting or intensive setting 2	991 / 624
Noise level (sound power) based on dB [A] re 1pW ^{2,4}	
- ducted / recirculating at power level 1	45 / 51
- ducted / recirculating at power level 2	50 / 63
- ducted / recirculating at power level 3	58 / 69
- ducted / recirculating at power level 4 or intensive setting 1	65 / 74
- ducted / recirculating, intensive setting or intensive setting 2	71 / 78
Pipe outlet diameter (mm)	150 / 120
Minimum distance above an electric / gas hob ⁵ (mm)	450 / 600
GB plug	■
Energy rating	A+
OPTIONAL ACCESSORIES ⁴	
Standard Recirculation Kit	LZ10AKU00
Standard Recirculation Kit (Chimless Installation)	LZ10AKT00
cleanAir Plus Anti-Pollen Recirculation Kit	LZ11AKI16
cleanAir Plus Anti-Pollen Recirculation Kit (Chimless Installation)	LZ11AKV16
Long Life Regenerative Recirculation Kit	LZ10AKS00
Long Life Regenerative Recirculation Kit (Chimless Installation)	LZ10AKR00
Black Chimney	LZ11AXE61

■ Yes, model has this feature. – Feature not available for this model.

¹Power automatically reverts back to normal setting after intensive.

²Air Flow and noise declarations made in line with CECED Code of Conduct.

³Measured according to EN61591 on largest pipe diameter.

⁴Sound power measured according to EN60704-3 on largest pipe diameter.

⁵From top of pan supports.

⁴A type of recirculating kit is required if recirculating. Depending on the model, a 'Recirculating odour filter kit' will consist of the following items: Charcoal filter, flexible hose, air duct, fixing components, installation instructions.

Data valid in this table as of October 2023. Subject to modification without prior notice.

Angled hood specifications



APPLIANCE TYPE	ANGLED GLASS CHIMNEY HOODS	
Design family	iQ 300	iQ 300
Model number	LC87KHM60B	LC67KHM60B
Colour	Black glass	Black glass
KEY FEATURES		
emotionLight Pro	-	-
Home Connect	-	-
cookConnect hob based hood control	-	-
climateControl sensor	-	-
Adjustable LED white colour temperature	-	-
iQdrive	-	-
Intensive setting / Automatic intensive revert ¹	■ / ■	■ / ■
Grease / charcoal filter saturation indicators	- / -	- / -
FEATURES		
Suitable for ducted / recirculating operation	■ / ■	■ / ■
Type of control	Touch Control	Touch Control
Power levels	3 + 1 intensive	3 + 1 intensive
Electronic power level display	-	-
Interval operation	-	-
Automatic after running (minutes)	-	-
Lighting	2 x LED lights	2 x LED lights
softLight with dimmer function	-	-
Number of metal grease filter cassettes	2	2
PERFORMANCE / TECHNICAL INFORMATION		
Appliance width (mm)	790	590
Extraction Rate in m³/h ^{2,3}		
- ducted / recirculating at power level 1	253 / 218	253 / 218
- ducted / recirculating at power level 2	332 / 293	332 / 293
- ducted / recirculating at power level 3	416 / 388	416 / 388
- ducted / recirculating at power level 4 or intensive setting 1	- / -	- / -
- ducted / recirculating, intensive setting or intensive setting 2	700 / 557	700 / 557
Noise level (sound power) based on dB [A] re 1pW ^{2,4}		
- ducted / recirculating at power level 1	48 / 55	48 / 55
- ducted / recirculating at power level 2	53 / 60	53 / 60
- ducted / recirculating at power level 3	58 / 66	58 / 66
- ducted / recirculating at power level 4 or intensive setting 1	- / -	- / -
- ducted / recirculating, intensive setting or intensive setting 2	67 / 75	67 / 75
Pipe outlet diameter (mm)	150 / 120	150 / 120
Minimum distance above an electric / gas hob ⁵ (mm)	450 / 600	450 / 600
GB plug	■	■
Energy rating	B	B
OPTIONAL ACCESSORIES ⁴		
cleanAir Plus Anti-Pollen Recirculation Kit	LZ11AKI16	LZ11AKI16
cleanAir Plus Anti-Pollen Recirculation Kit (Chimless Installation)	LZ11AKV16	LZ11AKV16
Long Life Regenerative Recirculation Kit	LZ10AKS00	LZ10AKS00
Long Life Regenerative Recirculation Kit (Chimless Installation)	LZ10AKR00	LZ10AKR00
Black Chimney	LZ11AXE61	LZ11AXE61

■ Yes, model has this feature. – Feature not available for this model.

¹Power automatically reverts back to normal setting after intensive.

²Air Flow and noise declarations made in line with CECED Code of Conduct.

³Measured according to EN61591 on largest pipe diameter.

⁴Sound power measured according to EN60704-3 on largest pipe diameter.

⁵From top of pan supports.

⁴A type of recirculating kit is required if recirculating. Depending on the model, a 'Recirculating odour filter kit' will consist of the following items: Charcoal filter, flexible hose, air duct, fixing components, installation instructions.

Data valid in this table as of October 2023. Subject to modification without prior notice.

Box chimney hoods

iQ 700 LC91BUV50B

Box chimney hood
Stainless steel

90cm



2
Year Warranty



Home Connect



APPLIANCE TYPE	BOX CHIMNEY HOOD
Design family	iQ700
Model number	LC91BUV50B
Colour	Stainless steel
KEY FEATURES	
emotionLight Pro	-
Home Connect	■
cookConnect hob based hood control	■
climateControl sensor	■
Adjustable LED white colour temperature	-
iQdrive®	■
Intensive setting / Automatic intensive revert ¹	■ / ■
Grease / charcoal filter saturation indicators	■ / ■
FEATURES	
Suitable for ducted / recirculating operation	■ / ■
Type of control	Touch control
Power levels	3 + 2 intensive
Electronic power level display	■
Interval operation	-
Automatic after running (minutes)	10
Lighting	3 x LED lights
softLight with dimmer function	■
Number of metal grease filter cassettes	3
PERFORMANCE / TECHNICAL INFORMATION	
Appliance width (mm)	898
Extraction Rate in m³/h^{2,3}	
- ducted / recirculating at power level 1	276 / 175
- ducted / recirculating at power level 2	436 / 320
- ducted / recirculating at power level 3	601 / 362
- ducted / recirculating at power level 4 or intensive setting 1	800 / 395
- ducted / recirculating, intensive setting or intensive setting 2	964 / 428
Noise level (sound power) based on dB [A] re 1pW^{2,4}	
- ducted / recirculating at power level 1	45 / 58
- ducted / recirculating at power level 2	56 / 70
- ducted / recirculating at power level 3	64 / 73
- ducted / recirculating at power level 4 or intensive setting 1	70 / 74
- ducted / recirculating, intensive setting or intensive setting 2	73 / 76
Pipe outlet diameter (mm)	150 / 120
Minimum distance above an electric / gas hob ⁵ (mm)	550 / 650
GB plug	■
Energy rating	A+
OPTIONAL ACCESSORIES⁶	
Standard Recirculation Kit	LZ53450
CleanAir Plus External Recirculation Module (Stainless Steel)	LZ12CX56
CleanAir Plus Integrated Recirculation Kit	LZ11CX16
Long Life Regenerative Integrated Recirculation Kit	LZ10FXJ05

■ Yes, model has this feature. - Feature not available for this model.

¹Power automatically reverts back to normal setting after intensive.

²Air Flow and noise declarations made in line with CECEC Code of Conduct.

³Measured according to EN61591 on largest pipe diameter.

⁴Sound power measured according to EN60704-3 on largest pipe diameter.

⁵From top of pan supports.

⁶A type of recirculating kit is required if recirculating. Depending on the model, a 'Recirculating odour filter kit' will consist of the following items: Charcoal filter, flexible hose, air duct, fixing components, installation instructions.

Data valid in this table as of October 2023. Subject to modification without prior notice.

Box hood specifications



APPLIANCE TYPE	BOX CHIMNEY HOODS				
Design family	iQ300	iQ300	iQ300	iQ100	iQ100
Model number	LC97BHM50B	LC77BHM50B	LC67BHM50B	LC94BHC50B	LC64BHC50B
Colour	Stainless steel	Stainless steel	Stainless steel	Stainless steel	Stainless steel
KEY FEATURES					
emotionLight Pro	-	-	-	-	-
Home Connect	-	-	-	-	-
cookConnect hob based hood control	-	-	-	-	-
climateControl sensor	-	-	-	-	-
Adjustable LED white colour temperature	-	-	-	-	-
iQdrive®	-	-	-	-	-
Intensive setting / Automatic intensive revert ¹	■ / ■	■ / ■	■ / ■	- / -	- / -
Grease / charcoal filter saturation indicators	- / -	- / -	- / -	- / -	- / -
FEATURES					
Suitable for ducted / recirculating operation	■ / ■	■ / ■	■ / ■	■ / ■	■ / ■
Type of control	Touch control	Touch control	Touch control	Push button control	Push button control
Power levels	3 + 1 intensive	3 + 1 intensive	3 + 1 intensive	3	3
Electronic power level display	-	-	-	-	-
Interval operation	-	-	-	-	-
Automatic after running (minutes)	-	-	-	-	-
Lighting	2 x LED lights	2 x LED lights	2 x LED lights	2 x LED lights	2 x LED lights
softLight with dimmer function	-	-	-	-	-
Number of metal grease filter cassettes	3	2	2	3	2
PERFORMANCE / TECHNICAL INFORMATION					
Appliance width (mm)	900	750	600	900	600
Extraction Rate in m³/h^{2,3}					
- ducted / recirculating at power level 1	266 / 187	266 / 187	269 / 183	198 / 120	198 / 122
- ducted / recirculating at power level 2	345 / 270	345 / 270	342 / 262	263 / 162	263 / 165
- ducted / recirculating at power level 3	453 / 324	453 / 324	458 / 321	365 / 195	365 / 197
- ducted / recirculating at power level 4 or intensive setting 1	- / -	- / -	- / -	- / -	- / -
- ducted / recirculating, intensive setting or intensive setting 2	739 / 379	739 / 379	752 / 379	- / -	- / -
Noise level (sound power) based on dB [A] re 1pW^{2,4}					
- ducted / recirculating at power level 1	52 / 63	52 / 63	52 / 63	49 / 55	49 / 56
- ducted / recirculating at power level 2	58 / 70	58 / 70	57 / 70	57 / 61	57 / 61
- ducted / recirculating at power level 3	65 / 74	65 / 74	64 / 73	64 / 66	63 / 66
- ducted / recirculating at power level 4 or intensive setting 1	- / -	- / -	- / -	- / -	- / -
- ducted / recirculating, intensive setting or intensive setting 2	74 / 77	74 / 77	73 / 76	- / -	- / -
Pipe outlet diameter (mm)	150 / 120	150 / 120	150 / 120	150 / 120	150 / 120
Minimum distance above an electric / gas hob ⁵ (mm)	550 / 650	550 / 650	550 / 650	550 / 650	550 / 650
GB plug	■	■	■	■	■
Energy rating	B	B	B	D	D
OPTIONAL ACCESSORIES⁶					
Standard Recirculation Kit	LZ10DXU00	LZ10DXU00	LZ10DXU00	LZ10DXU00	LZ10DXU00
CleanAir Plus External Recirculation Module (Stainless Steel)	LZ11FXC56	LZ11FXC56	LZ11FXC56	LZ11FXC56	LZ11FXC56
CleanAir Plus Integrated Recirculation Kit	LZ11DXI16	LZ11DXI16	LZ11DXI16	LZ11DXI16	LZ11DXI16
Long Life Regenerative Integrated Recirculation Kit	LZ10FXJ00	LZ10FXJ00	LZ10FXJ00	LZ10FXJ00	LZ10FXJ00

■ Yes, model has this feature. - Feature not available for this model.

¹Power automatically reverts back to normal setting after intensive.

²Air Flow and noise declarations made in line with CECEC Code of Conduct.

³Measured according to EN61591 on largest pipe diameter.

⁴Sound power measured according to EN60704-3 on largest pipe diameter.

⁵From top of pan supports.

⁶A type of recirculating kit is required if recirculating. Depending on the model, a 'Recirculating odour filter kit' will consist of the following items: Charcoal filter, flexible hose, air duct, fixing components, installation instructions.

Data valid in this table as of October 2023. Subject to modification without prior notice.

Glass chimney hoods

iQ300 LC97AFM50B

Curved glass chimney hood
Stainless steel

90cm



Glass hood specifications

APPLIANCE TYPE	CURVED GLASS HOODS	
	iQ300	iQ300
Design family	LC97AFM50B	LC67AFM50B
Model number	LC97AFM50B	LC67AFM50B
Colour	Stainless steel & glass	Stainless steel & glass
KEY FEATURES		
emotionLight Pro	–	–
Home Connect	–	–
cookConnect hob based hood control	–	–
climateControl sensor	–	–
Adjustable LED white colour temperature	–	–
iQdrive®	–	–
Intensive setting / Automatic intensive revert ¹	■ / ■	■ / ■
Grease / charcoal filter saturation indicators	– / –	– / –
FEATURES		
Suitable for ducted / recirculating operation	■ / ■	■ / ■
Type of control	Touch control	Touch control
Power levels	3 + 1 intensive	3 + 1 intensive
Electronic power level display	–	–
Interval operation	–	–
Automatic after running (minutes)	–	–
Lighting	2 x LED lights	2 x LED lights
softLight with dimmer function	–	–
Number of metal grease filter cassettes	1	1
PERFORMANCE / TECHNICAL INFORMATION		
Appliance width (mm)	900	600
Extraction Rate in m³/h^{2,3}		
- ducted / recirculating at power level 1	260 / 202	266 / 213
- ducted / recirculating at power level 2	343 / 276	349 / 285
- ducted / recirculating at power level 3	463 / 327	474 / 331
- ducted / recirculating at power level 4 or intensive setting 1	– / –	– / –
- ducted / recirculating, intensive setting or intensive setting 2	702 / 380	715 / 379
Noise level (sound power) based on dB [A] re 1pW^{4,5}		
- ducted / recirculating at power level 1	54 / 63	54 / 65
- ducted / recirculating at power level 2	60 / 70	61 / 70
- ducted / recirculating at power level 3	67 / 74	67 / 73
- ducted / recirculating at power level 4 or intensive setting 1	– / –	– / –
- ducted / recirculating, intensive setting or intensive setting 2	74 / 77	74 / 76
Pipe outlet diameter (mm)	150 / 120	150 / 120
Minimum distance above an electric / gas hob ⁶ (mm)	550 / 650	550 / 650
GB plug	■	■
Energy rating	B	B
OPTIONAL ACCESSORIES⁶		
CleanAir Plus External Recirculation Module (Stainless Steel)	LZ11FXC56	LZ11FXC56
CleanAir Plus Integrated Recirculation Kit	LZ11DXI16	LZ11DXI16
Long Life Regenerative Integrated Recirculation Kit	LZ10FXJ00	LZ10FXJ00

■ Yes, model has this feature. – Feature not available for this model.

¹Power automatically reverts back to normal setting after intensive.

²Air Flow and noise declarations made in line with CECEC Code of Conduct.

³Measured according to EN61591 on largest pipe diameter.

⁴Sound power measured according to EN60704-3 on largest pipe diameter.

⁵From top of pan supports.

⁶A type of recirculating kit is required if recirculating. Depending on the model, a 'Recirculating odour filter kit' will consist of the following items: Charcoal filter, flexible hose, air duct, fixing components, installation instructions.

Data valid in this table as of October 2023. Subject to modification without prior notice.

Model shown:
LC97AFM50B curved glass chimney hood

Pyramid hoods

iQ300 LC97QFM50B

Slim pyramid chimney hood
Stainless steel

90cm



Pyramid hoods

A contemporary take on a classic design the Siemens slim pyramid hood with a gentle pyramid slope is the perfect addition to your kitchen.

Pyramid hood specifications

APPLIANCE TYPE	SLIM PYRAMID HOOD
Design family	iQ300
Model number	LC97QFM50B
Colour	Stainless steel
KEY FEATURES	
emotionLight Pro	-
Home Connect	-
cookConnect hob based hood control	-
climateControl sensor	-
Adjustable LED white colour temperature	-
iQdrive®	-
Intensive setting / Automatic intensive revert ¹	■ / ■
Grease / charcoal filter saturation indicators	- / -
FEATURES	
Suitable for ducted / recirculating operation	■ / ■
Type of control	Touch control
Power levels	3 + 1 intensive
Electronic power level display	-
Interval operation	-
Automatic after running (minutes)	-
Lighting	2 x LED lights
softLight with dimmer function	-
Number of metal grease filter cassettes	3
PERFORMANCE / TECHNICAL INFORMATION	
Appliance width (mm)	900
Extraction Rate in m³/h^{2,3}	
- ducted / recirculating at power level 1	279 / 198
- ducted / recirculating at power level 2	353 / 283
- ducted / recirculating at power level 3	462 / 346
- ducted / recirculating at power level 4 or intensive setting 1	- / -
- ducted / recirculating, intensive setting or intensive setting 2	779 / 397
Noise level (sound power) based on dB [A] re 1pW^{4,4}	
- ducted / recirculating at power level 1	50 / 64
- ducted / recirculating at power level 2	57 / 71
- ducted / recirculating at power level 3	64 / 74
- ducted / recirculating at power level 4 or intensive setting 1	- / -
- ducted / recirculating, intensive setting or intensive setting 2	73 / 77
Pipe outlet diameter (mm)	150 / 120
Minimum distance above an electric / gas hob ⁵ (mm)	550 / 650
GB plug	■
Energy rating	B
OPTIONAL ACCESSORIES⁶	
Standard Recirculation Kit	LZ12CB114, LZ11DX114
CleanAir Plus External Recirculation Module (Stainless Steel)	LZ11FXC56
CleanAir Plus Integrated Recirculation Kit	LZ11DXI16
Long Life Regenerative Integrated Recirculation Kit	LZ10FXJ00
Long Life Regenerative Chimless Recirculation Kit	
CleanAir Plus Anti-Pollen Recirculation Kit	
CleanAir Plus Anti-Pollen Internal Recirculation Kit	LZ11DXI16
Black Chimney (for Angled and Flat Glass Chimney Hoods)	
Stainless steel splash back panel: 900 x 720mm	
Stainless steel splash back panel: 700 x 720mm	
Stainless steel splash back panel: 600 x 720mm	

■ Yes, model has this feature. - Feature not available for this model.
¹Power automatically reverts back to normal setting after intensive.
²Air flow and noise declarations made in line with CECEC Code of Conduct.
³Measured according to EN61591 on largest pipe diameter.
⁴Sound power measured according to EN60704-3 on largest pipe diameter.
⁵From top of pan supports.
⁶A type of recirculating kit is required if recirculating. Depending on the model, a 'Recirculating odour filter kit' will consist of the following items: Charcoal filter, flexible hose, air duct, fixing components, installation instructions.

Data valid in this table as of October 2023. Subject to modification without prior notice.

Pyramid hood specifications

APPLIANCE TYPE	SLIM PYRAMID HOOD	PYRAMID HOOD	PYRAMID HOOD
Design family	iQ300	iQ100	iQ100
Model number	LC67QFM50B	LC94PBC50B	LC64PBC50B
Colour	Stainless steel	Stainless steel	Stainless steel
KEY FEATURES			
emotionLight Pro	-	-	-
Home Connect	-	-	-
cookConnect hob based hood control	-	-	-
climateControl sensor	-	-	-
Adjustable LED white colour temperature	-	-	-
iQdrive®	-	-	-
Intensive setting / Automatic intensive revert ¹	■ / ■	- / -	- / -
Grease / charcoal filter saturation indicators	- / -	- / -	- / -
FEATURES			
Suitable for ducted / recirculating operation	■ / ■	■ / ■	■ / ■
Type of control	Touch control	Push button control	Push button control
Power levels	3 + 1 intensive	3	3
Electronic power level display	-	-	-
Interval operation	-	-	-
Automatic after running (minutes)	-	-	-
Lighting	2 x LED lights	2 x LED lights	2 x LED lights
softLight with dimmer function	-	-	-
Number of metal grease filter cassettes	2	3	2
PERFORMANCE / TECHNICAL INFORMATION			
Appliance width (mm)	600	900	600
Extraction Rate in m³/h^{2,3}			
- ducted / recirculating at power level 1	262 / 192	198 / 129	198 / 127
- ducted / recirculating at power level 2	339 / 275	263 / 174	263 / 171
- ducted / recirculating at power level 3	445 / 332	365 / 213	365 / 211
- ducted / recirculating at power level 4 or intensive setting 1	- / -	- / -	- / -
- ducted / recirculating, intensive setting or intensive setting 2	747 / 389	- / -	- / -
Noise level (sound power) based on dB [A] re 1pW^{4,4}			
- ducted / recirculating at power level 1	53 / 58	50 / 56	50 / 55
- ducted / recirculating at power level 2	59 / 68	57 / 62	58 / 62
- ducted / recirculating at power level 3	65 / 72	65 / 67	66 / 67
- ducted / recirculating at power level 4 or intensive setting 1	- / -	- / -	- / -
- ducted / recirculating, intensive setting or intensive setting 2	73 / 76	- / -	- / -
Pipe outlet diameter (mm)	150 / 120	150 / 120	150 / 120
Minimum distance above an electric / gas hob ⁵ (mm)	550 / 650	550 / 650	550 / 650
GB plug	■	■	■
Energy rating	B	D	D
OPTIONAL ACCESSORIES⁶			
Standard Recirculation Kit	LZ12CB114, LZ11DX114	LZ52750	LZ52750
CleanAir Plus External Recirculation Module (Stainless Steel)	LZ11FXC56	-	-
CleanAir Plus Integrated Recirculation Kit	LZ11DXI16	-	-
Long Life Regenerative Integrated Recirculation Kit	LZ10FXJ00	-	-
Long Life Regenerative Chimless Recirculation Kit	LZ10AKR00	-	-
CleanAir Plus Anti-Pollen Recirculation Kit for			
CleanAir Plus Anti-Pollen Internal Recirculation Kit	LZ11DXI16	LZ11DXI16	
Black Chimney (for Angled and Flat Glass Chimney Hoods)			
Stainless steel splash back panel: 900 x 720mm			
Stainless steel splash back panel: 700 x 720mm			
Stainless steel splash back panel: 600 x 720mm			

■ Yes, model has this feature. - Feature not available for this model.
¹Power automatically reverts back to normal setting after intensive.
²Air flow and noise declarations made in line with CECEC Code of Conduct.
³Measured according to EN61591 on largest pipe diameter.
⁴Sound power measured according to EN60704-3 on largest pipe diameter.
⁵From top of pan supports.
⁶A type of recirculating kit is required if recirculating. Depending on the model, a 'Recirculating odour filter kit' will consist of the following items: Charcoal filter, flexible hose, air duct, fixing components, installation instructions.

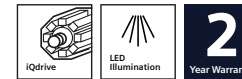
Data valid in this table as of October 2023. Subject to modification without prior notice.

Integrated design hoods

iQ500 LJ97BAM60B

Integrated extractor hood
Black body & fold out glass

90cm



Integrated design hood specifications



APPLIANCE TYPE	INTEGRATED DESIGN HOODS	
	iQ500	iQ500
Design family	LJ97BAM60B	LJ67BAM60B
Model number	LJ97BAM60B	LJ67BAM60B
Colour	Black body & fold out glass	Black body & fold out glass
KEY FEATURES		
emotionLight Pro	–	–
Home Connect	–	–
cookConnect hob based hood control	–	–
climateControl sensor	–	–
Adjustable LED white colour temperature	–	–
iQdrive®	■	–
Intensive setting / Automatic intensive revert ¹	■ / ■	■ / ■
Grease / charcoal filter saturation indicators	■ / ■	■ / ■
FEATURES		
Suitable for ducted / recirculating operation	■ / ■	■ / ■
Type of control	Touch control	Touch control
Power levels	3 + 1 intensive	3 + 1 intensive
Electronic power level display	–	–
Interval operation	–	–
Automatic after running (minutes)	10	10
Lighting	3 x 2 W LED lights	2 x LED lights
softLight with dimmer function	■	■
Number of metal grease filter cassettes	2	2
PERFORMANCE / TECHNICAL INFORMATION		
Appliance width (mm)	860	560
Extraction Rate in m³/h ^{2,3}		
– ducted / recirculating at power level 1	265 / 227	265 / 227
– ducted / recirculating at power level 2	355 / 319	355 / 319
– ducted / recirculating at power level 3	460 / 396	460 / 396
– ducted / recirculating at power level 4 or intensive setting 1	– / –	– / –
– ducted / recirculating, intensive setting or intensive setting 2	749 / 652	749 / 652
Noise level (sound power) based on dB [A] re 1pW ^{2,4}		
– ducted / recirculating at power level 1	50 / 59	50 / 59
– ducted / recirculating at power level 2	57 / 67	57 / 67
– ducted / recirculating at power level 3	63 / 72	63 / 72
– ducted / recirculating at power level 4 or intensive setting 1	– / –	– / –
– ducted / recirculating, intensive setting or intensive setting 2	73 / 77	73 / 77
Pipe outlet diameter (mm)	150 / 120	150 / 120
Minimum distance above an electric / gas hob ⁵ (mm)	430 / 650	430 / 650
GB plug	■	■
Energy rating	B	B
OPTIONAL ACCESSORIES ⁴		
Standard Recirculation Filter / Kit	LZ10IMA00	LZ10IMA00
Long Life Regenerative Recirculation Kit	LZ11ITD11	LZ11ITD11
cleanAir Plus Anti-Pollen Recirculation Kit (filter with 12 month lifespan)	LZ11XC16	LZ11XC16
CleanAir Standard Recirculation Kit	LZ16IB14	LZ16IB14
Chimney Extension 450-854mm (Used inside cabinet to cover ducting)	LZ11BK61	LZ11BK61
Chimney Extension 187-360mm (Used inside cabinet to cover ducting)	LZ11BN61	LZ11BN61

■ Yes, model has this feature. – Feature not available for this model.

¹Power automatically reverts back to normal setting after intensive.

²Air Flow and noise declarations made in line with CECEC Code of Conduct.

³Measured according to EN61591 on largest pipe diameter.

⁴Sound power measured according to EN60704-3 on largest pipe diameter.

⁵From top of pan supports.

⁶A type of recirculating kit is required if recirculating. Depending on the model, a 'Recirculating odour filter kit' will consist of the following items: Charcoal filter, flexible hose, air duct, fixing components, installation instructions.

Data valid in this table as of October 2023. Subject to modification without prior notice.

Model shown:
LJ97BAM60B integrated extractor hood

Telescopic hoods

iQ 500 LI97SA561B

Telescopic extractor hood
Stainless steel

90cm



2
Year Warranty



Telescopic hood specifications



APPLIANCE TYPE	TELESCOPIC HOOD
Design family	iQ 500
Model number	LI97SA561B
Colour	Stainless steel
KEY FEATURES	
emotionLight Pro	-
Home Connect	-
cookConnect hob based hood control	-
climateControl sensor	-
Adjustable LED white colour temperature	-
iQdrive®	■
Intensive setting / Automatic intensive revert ¹	■ / ■
Grease / charcoal filter saturation indicators	■ / ■
FEATURES	
Suitable for ducted / recirculating operation	■ / ■
Type of control	Soft touch button control
Power levels	3 + 2 intensive
Electronic power level display	-
Interval operation	-
Automatic after running (minutes)	10
Lighting	3 x LED lights
softLight with dimmer function	■
Number of metal grease filter cassettes	3
PERFORMANCE / TECHNICAL INFORMATION	
Appliance width (mm)	898
Extraction Rate in m³/h ^{2,3}	
- ducted / recirculating at power level 1	198 / 155
- ducted / recirculating at power level 2	301 / 242
- ducted / recirculating at power level 3	395 / 321
- ducted / recirculating at power level 4 or intensive setting 1	534 / 442
- ducted / recirculating, intensive setting or intensive setting 2	700 / 543
Noise level (sound power) based on dB [A] re 1pW ^{4,4}	
- ducted / recirculating at power level 1	41 / 44
- ducted / recirculating at power level 2	49 / 56
- ducted / recirculating at power level 3	53 / 63
- ducted / recirculating at power level 4 or intensive setting 1	62 / 71
- ducted / recirculating, intensive setting or intensive setting 2	69 / 73
Pipe outlet diameter (mm)	150 / 120
Minimum distance above an electric / gas hob ⁵ (mm)	430 / 650
GB plug	■
Energy rating	B
OPTIONAL ACCESSORIES ⁴	
CleanAir Plus Anti-Pollen Recirculation Kit	LZ11IXC16
Long Life Regenerative Recirculation Kit	LZ11ITD11
Handle Strip - Black	LZ49561
Handle Strip - White	LZ49521
Lowering frame	LZ49601
Bracket for installation in 90cm wide units	LZ49200
Replacement cleanAir Plus Anti-Pollen Replacement Filter (12 month lifespan)	LZ11IXB16
CleanAir Standard Recirculation Kit	LZ12IT114
CleanAir Standard Recirculation Kit	LZ11IT114

■ Yes, model has this feature. - Feature not available for this model.

¹Power automatically reverts back to normal setting after intensive.

²Air Flow and noise declarations made in line with CECED Code of Conduct.

³Measured according to EN61591 on largest pipe diameter.

⁴Sound power measured according to EN60704-3 on largest pipe diameter.

⁵From top of pan supports.

⁶A type of recirculating kit is required if recirculating. Depending on the model, a 'Recirculating odour filter kit' will consist of the following items: Charcoal filter, flexible hose, air duct, fixing components, installation instructions.

Data valid in this table as of October 2023. Subject to modification without prior notice.

Telescopic hood specifications



APPLIANCE TYPE	TELESCOPIC HOODS	
Design family	iQ 300	iQ 300
Model number	LI94MA531B	LI64MA531B
Colour	Stainless steel	Stainless steel
KEY FEATURES		
emotionLight Pro	-	-
Home Connect	-	-
cookConnect hob based hood control	-	-
climateControl sensor	-	-
Adjustable LED white colour temperature	-	-
iQdrive®	■	■
Intensive setting / Automatic intensive revert ¹	■ / ■	■ / ■
Grease / charcoal filter saturation indicators	- / -	- / -
FEATURES		
Suitable for ducted / recirculating operation	■ / ■	■ / ■
Type of control	Soft touch button control	Soft touch button control
Power levels	3 + 1 intensive	3 + 1 intensive
Electronic power level display	-	-
Interval operation	-	-
Automatic after running (minutes)	10	10
Lighting	3 x LED lights	2 x LED lights
softLight with dimmer function	-	-
Number of metal grease filter cassettes	3	2
PERFORMANCE / TECHNICAL INFORMATION		
Appliance width (mm)	898	598
Extraction Rate in m³/h ^{2,3}		
- ducted / recirculating at power level 1	164 / 106	174 / 103
- ducted / recirculating at power level 2	223 / 140	226 / 139
- ducted / recirculating at power level 3	266 / 166	271 / 174
- ducted / recirculating at power level 4 or intensive setting 1	- / -	- / -
- ducted / recirculating, intensive setting or intensive setting 2	412 / 178	405 / 189
Noise level (sound power) based on dB [A] re 1pW ^{2,4}		
- ducted / recirculating at power level 1	50 / 57	49 / 58
- ducted / recirculating at power level 2	56 / 65	56 / 65
- ducted / recirculating at power level 3	63 / 70	62 / 70
- ducted / recirculating at power level 4 or intensive setting 1	- / -	- / -
- ducted / recirculating, intensive setting or intensive setting 2	70 / 71	69 / 72
Pipe outlet diameter (mm)	150 / 120	150 / 120
Minimum distance above an electric / gas hob ⁵ (mm)	430 / 650	430 / 650
GB plug	■	■
Energy rating	A	A
OPTIONAL ACCESSORIES ⁴		
CleanAir Plus Anti-Pollen Recirculation Kit	-	-
Long Life Regenerative Recirculation Kit	-	-
Handle Strip - Black	LZ49561	LZ46561
Handle Strip - White	LZ49521	LZ46521
Lowering frame	-	-
Bracket for installation in 90cm wide units	-	-
Replacement cleanAir Plus Anti-Pollen Replacement Filter (12 month lifespan)	-	-
CleanAir Standard Recirculation Kit	-	-
CleanAir Standard Recirculation Kit	-	-

■ Yes, model has this feature. - Feature not available for this model.

¹Power automatically reverts back to normal setting after intensive.

²Air Flow and noise declarations made in line with CECED Code of Conduct.

³Measured according to EN61591 on largest pipe diameter.

⁴Sound power measured according to EN60704-3 on largest pipe diameter.

⁵From top of pan supports.

⁶A type of recirculating kit is required if recirculating. Depending on the model, a 'Recirculating odour filter kit' will consist of the following items: Charcoal filter, flexible hose, air duct, fixing components, installation instructions.

Data valid in this table as of October 2023. Subject to modification without prior notice.

Integrated hoods

iQ 100 LE66MAC00B

Integrated extractor hood
Metallic silver

60cm



2
Year Warranty

Model shown:
LE66MAC00B integrated extractor hood

Integrated hood specifications



APPLIANCE TYPE	INTEGRATED HOODS	
	iQ 100	iQ 100
Design family	LE66MAC00B	LE63MAC00B
Model number	LE66MAC00B	LE63MAC00B
Colour	Silver metallic lacquer	Silver metallic lacquer
KEY FEATURES		
emotionLight Pro	-	-
Home Connect	-	-
cookConnect hob based hood control	-	-
climateControl sensor	-	-
Adjustable LED white colour temperature	-	-
iQdrive®	-	-
Intensive setting / Automatic intensive revert ¹	- / -	- / -
Grease / charcoal filter saturation indicators	- / -	- / -
FEATURES		
Suitable for ducted / recirculating operation	■ / ■	■ / ■
Type of control	Push button control	Push button control
Power levels	3	3
Electronic power level display	-	-
Interval operation	-	-
Automatic after running (minutes)	-	-
Lighting	2 x LED lights	2 x LED lights
softLight with dimmer function	-	-
Number of metal grease filter cassettes	2	2
PERFORMANCE / TECHNICAL INFORMATION		
Appliance width (mm)	599	599
Extraction Rate in m³/h^{2,3}		
- ducted / recirculating at power level 1	256 / 208	240 / 224
- ducted / recirculating at power level 2	352 / 320	288 / 256
- ducted / recirculating at power level 3	625 / 416	368 / 272
- ducted / recirculating at power level 4 or intensive setting 1	- / -	- / -
- ducted / recirculating, intensive setting or intensive setting 2	- / -	- / -
Noise level (sound power) based on dB [A] re 1pW^{2,4}		
- ducted / recirculating at power level 1	49 / 57	52 / 64
- ducted / recirculating at power level 2	56 / 68	56 / 67
- ducted / recirculating at power level 3	70 / 75	62 / 68
- ducted / recirculating at power level 4 or intensive setting 1	- / -	- / -
- ducted / recirculating, intensive setting or intensive setting 2	- / -	- / -
Pipe outlet diameter (mm)	150 / 120	150 / 120
Minimum distance above an electric / gas hob ⁵ (mm)	500 / 650	500 / 650
GB plug	■	■
Energy rating	B	D
OPTIONAL ACCESSORIES⁶		
Standard Recirculation Filter / Kit	LZ101MA00	LZ101MA00

■ Yes, model has this feature. - Feature not available for this model.

¹Power automatically reverts back to normal setting after intensive.

²Air Flow and noise declarations made in line with CECEC Code of Conduct.

³Measured according to EN61591 on largest pipe diameter.

⁴Sound power measured according to EN60704-3 on largest pipe diameter.

⁵From top of pan supports.

⁶A type of recirculating kit is required if recirculating. Depending on the model, a 'Recirculating odour filter kit' will consist of the following items: Charcoal filter, flexible hose, air duct, fixing components, installation instructions.

Data valid in this table as of October 2023. Subject to modification without prior notice.

Canopy hoods

iQ700 LB79585MGB

Canopy hood
Stainless steel & black glass

70cm



Canopy hood specifications

APPLIANCE TYPE	CANOPY HOOD
Design family	iQ700
Model number	LB79585MGB
Colour	Stainless steel
KEY FEATURES	
emotionLight Pro	-
Home Connect	-
cookConnect hob based hood control	-
climateControl sensor	-
Adjustable LED white colour temperature	-
iQdrive®	■
Intensive setting / Automatic intensive revert ¹	■ / ■
Grease / charcoal filter saturation indicators	■ / -
FEATURES	
Suitable for ducted / recirculating operation	■ / ■
Type of control	Soft touch button control
Power levels	3 + 1 intensive
Electronic power level display	-
Interval operation	■
Automatic after running (minutes)	30
Lighting	2 x LED lights
softLight with dimmer function	■
Number of metal grease filter cassettes	2
PERFORMANCE / TECHNICAL INFORMATION	
Appliance width (mm)	700
Extraction Rate in m³/h ^{2,3}	
- ducted / recirculating at power level 1	210 / 170
- ducted / recirculating at power level 2	380 / 250
- ducted / recirculating at power level 3	575 / 310
- ducted / recirculating at power level 4 or intensive setting 1	- / -
- ducted / recirculating, intensive setting or intensive setting 2	775 / 380
Noise level (sound power) based on dB [A] re 1pW ^{4,4}	
- ducted / recirculating at power level 1	46 / 57
- ducted / recirculating at power level 2	55 / 66
- ducted / recirculating at power level 3	64 / 71
- ducted / recirculating at power level 4 or intensive setting 1	- / -
- ducted / recirculating, intensive setting or intensive setting 2	70 / 75
Pipe outlet diameter (mm)	150 / 120
Minimum distance above an electric / gas hob ⁵ (mm)	500 / 650
GB plug	■
Energy rating	A++
OPTIONAL ACCESSORIES ⁶	
Standard Recirculation Filter / Kit	LZ55750
CleanAir Plus Anti-Pollen Recirculation Kit	LZ111XC16
Long Life Regenerative Recirculation Kit	LZ111TD11

■ Yes, model has this feature. - Feature not available for this model.
¹Power automatically reverts back to normal setting after intensive.
²Air Flow and noise declarations made in line with CECEC Code of Conduct.
³Measured according to EN61591 on largest pipe diameter.
⁴Sound power measured according to EN60704-3 on largest pipe diameter.
⁵From top of pan supports.
⁶A type of recirculating kit is required if recirculating. Depending on the model, a 'Recirculating odour filter kit' will consist of the following items: Charcoal filter, flexible hose, air duct, fixing components, installation instructions.
Data valid in this table as of October 2023. Subject to modification without prior notice.

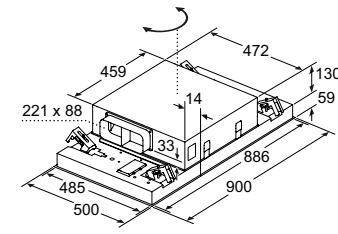
Canopy hood specifications

APPLIANCE TYPE	CANOPY HOODS				
Design family	iQ500	iQ500	iQ300	iQ300	iQ100
Model number	LB78574GB	LB57574GB	LB75565GB	LB55565GB	LB53NAA30B
Colour	Stainless steel	Stainless steel	Silver metallic lacquer	Silver metallic lacquer	Silver metallic lacquer
KEY FEATURES					
emotionLight Pro	-	-	-	-	-
Home Connect	-	-	-	-	-
cookConnect hob based hood control	-	-	-	-	-
climateControl sensor	-	-	-	-	-
Adjustable LED white colour temperature	-	-	-	-	-
iQdrive®	-	-	-	-	-
Intensive setting / Automatic intensive revert ¹	■ / ■	■ / ■	■ / -	■ / -	- / -
Grease / charcoal filter saturation indicators	- / -	- / -	- / -	- / -	- / -
FEATURES					
Suitable for ducted / recirculating operation	■ / ■	■ / ■	■ / ■	■ / ■	■ / ■
Type of control	Soft touch button control	Soft touch button control	Slider switch	Slider switch	Push button control
Power levels	3 + 1 intensive	3 + 1 intensive	3 + 1 intensive	3 + 1 intensive	3
Electronic power level display	-	-	-	-	-
Interval operation	-	-	-	-	-
Automatic after running (minutes)	-	-	-	-	-
Lighting	2 x LED lights	2 x LED lights	2 x LED lights	2 x LED lights	2 x LED lights
softLight with dimmer function	-	-	-	-	-
Number of metal grease filter cassettes	2	1	2	2	1
PERFORMANCE / TECHNICAL INFORMATION					
Appliance width (mm)	700	520	730	530	534
Extraction Rate in m³/h ^{2,3}					
- ducted / recirculating at power level 1	345 / 210	295 / 210	198 / 139	196 / 134	120 / 110
- ducted / recirculating at power level 2	540 / 270	450 / 260	287 / 206	280 / 198	160 / 160
- ducted / recirculating at power level 3	630 / 300	560 / 290	379 / 278	362 / 268	300 / 300
- ducted / recirculating at power level 4 or intensive setting 1	- / -	- / -	- / -	- / -	- / -
- ducted / recirculating, intensive setting or intensive setting 2	730 / 310	615 / 300	638 / 408	618 / 395	- / -
Noise level (sound power) based on dB [A] re 1pW ^{4,4}					
- ducted / recirculating at power level 1	53 / 67	50 / 66	38 / 49	38 / 49	46 / 49
- ducted / recirculating at power level 2	63 / 71	63 / 71	49 / 58	49 / 58	50 / 53
- ducted / recirculating at power level 3	66 / 73	67 / 74	56 / 65	56 / 64	61 / 65
- ducted / recirculating at power level 4 or intensive setting 1	- / -	- / -	- / -	- / -	- / -
- ducted / recirculating, intensive setting or intensive setting 2	69 / 74	70 / 75	68 / 72	68 / 72	- / -
Pipe outlet diameter (mm)	150 / 120	150 / 120	150 / 120	150 / 120	120
Minimum distance above an electric / gas hob ⁵ (mm)	500 / 650	500 / 650	650 / 650	650 / 650	650 / 650
GB plug	■	■	■	■	■
Energy rating	C	C	C	C	D
OPTIONAL ACCESSORIES ⁶					
Standard Recirculation Filter / Kit	LZ55750	LZ55750	LZ73050	LZ73050	LZ10INT00
CleanAir Plus Anti-Pollen Recirculation Kit	LZ111XC16	LZ111XC16	-	-	-
Long Life Regenerative Recirculation Kit	LZ111TD11	LZ111TD11	-	-	-

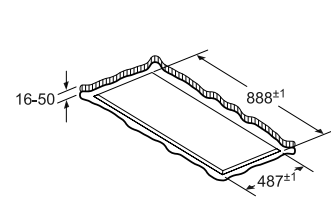
■ Yes, model has this feature. - Feature not available for this model.
¹Power automatically reverts back to normal setting after intensive.
²Air Flow and noise declarations made in line with CECEC Code of Conduct.
³Measured according to EN61591 on largest pipe diameter.
⁴Sound power measured according to EN60704-3 on largest pipe diameter.
⁵From top of pan supports.
⁶A type of recirculating kit is required if recirculating. Depending on the model, a 'Recirculating odour filter kit' will consist of the following items: Charcoal filter, flexible hose, air duct, fixing components, installation instructions.
Data valid in this table as of October 2023. Subject to modification without prior notice.

Hood technical diagrams

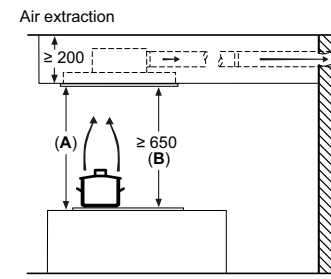
Ceiling hood LR96CAQ50B



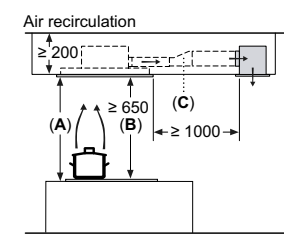
The fan outlet can be turned in all four directions



Never fit directly onto plasterboard or similar lightweight construction materials of the suspended ceiling. A suitable substructure is required that is securely fixed to the concrete ceiling.



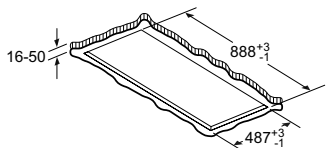
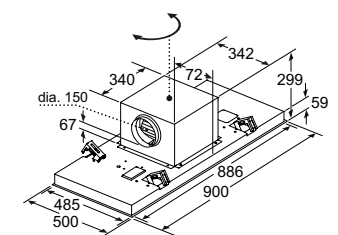
A: Optimum performance 700-1500
B: From upper edge of pan support



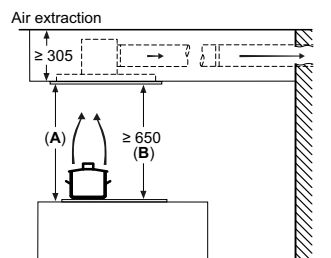
A: Optimum performance 700-1500
B: From upper edge of pan support
C: Connector (from a flat duct to a circular duct). Not included in the scope of delivery.

Ceiling hood LR97CAQ50B

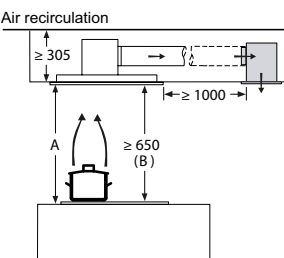
The fan outlet can be turned in all four directions



Never fit directly onto plasterboard or similar lightweight construction materials of the suspended ceiling. A suitable substructure is required that is securely fixed to the concrete ceiling.

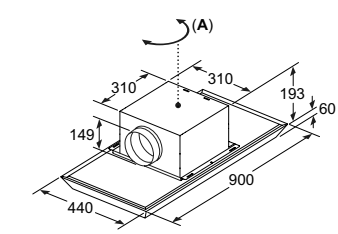


A: Optimum performance 700-1500
B: From upper edge of pan support

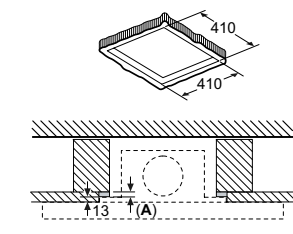


A: Optimum performance 700-1500
B: From upper edge of pan support

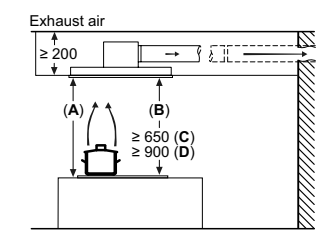
Ceiling hood LR97CAP21B



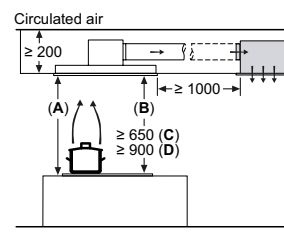
A: The fan outlet can be turned in all four directions



A: If required, even out the ceiling thickness to 13 mm using wooden spacers.



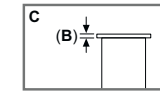
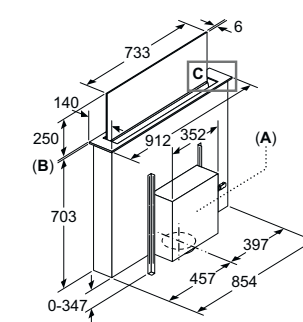
A: Optimum performance 700-1500
B: From upper edge of pan support
C: Electric
D: Gas



A: Optimum performance 700-1500
B: From upper edge of pan support
C: Electric
D: Gas

glassdraftAir hood LD98WMM60B

Technical diagrams for seamless installation can be found online at siemens-home.bsh-group.com/uk

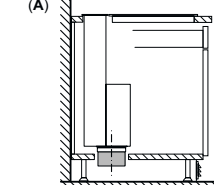


A: Installation of motor unit on front/rear or offset laterally with max. 3 m clearance (special accessory required)

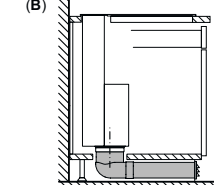
Motor unit must always be accessible

B: 5.5 mm

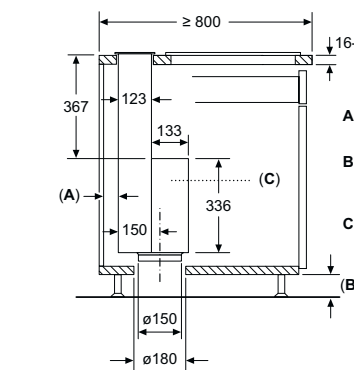
Planning recommendation, air recirculation



A: Exterior wall – U-value ≤ 0.5 W/(m²K)
Standard installation: Partially laid around the toe kick



B: Exterior wall – U-value > 0.5 W/(m²K)
Installation with fully laid pipework to the toe kick for poorly insulated exterior walls or above cold floors



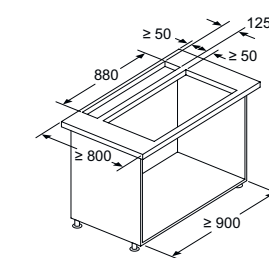
A: ≥ 20 mm between the Guided Air suction area and a cabinet wall

B: ≥ 60 mm for air recirculation

≥ 100 mm for air extraction with ducting in the plinth

C: Motor unit must always be accessible

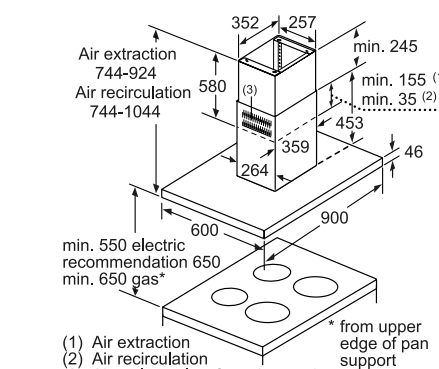
Combination with electric hob



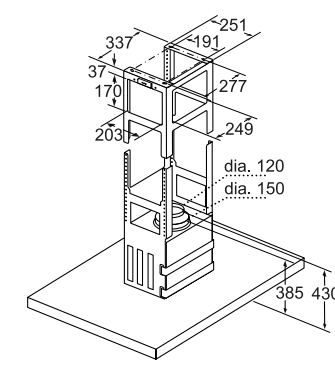
Combination with gas hob is not possible
To prevent power loss, observe the following:

- Do not install upper cabinets above the appliance
- Clearance of open shelf elements above the appliance min. 650 mm (recommended)
- Left/right clearance between appliance and wall/adjacent upper cabinet min. 500 mm
- Clearance between appliance frame and wall min. 50 mm

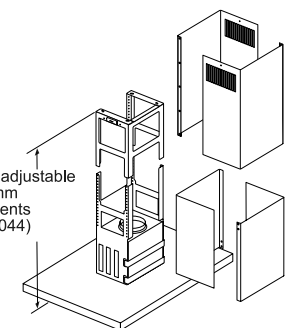
Island chimney hood LF91BUV50B



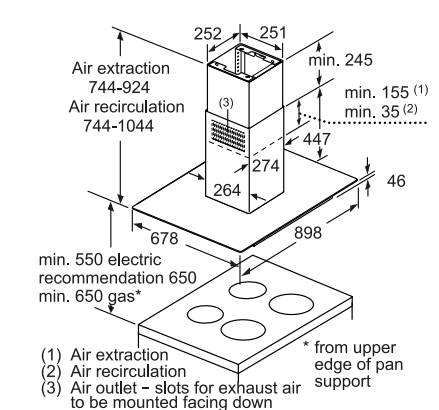
- (1) Air extraction
(2) Air recirculation
(3) Air outlet – slots for exhaust air to be mounted facing down



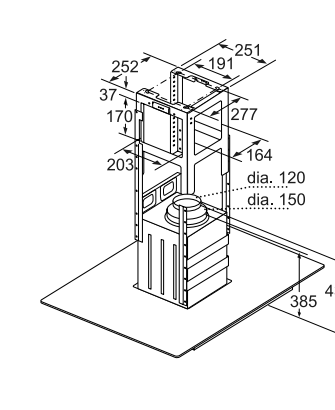
height-adjustable in 20 mm increments (744-1044)



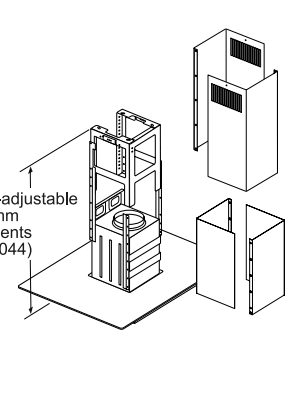
Island chimney hood LF97GBM50B



- (1) Air extraction
(2) Air recirculation
(3) Air outlet – slots for exhaust air to be mounted facing down

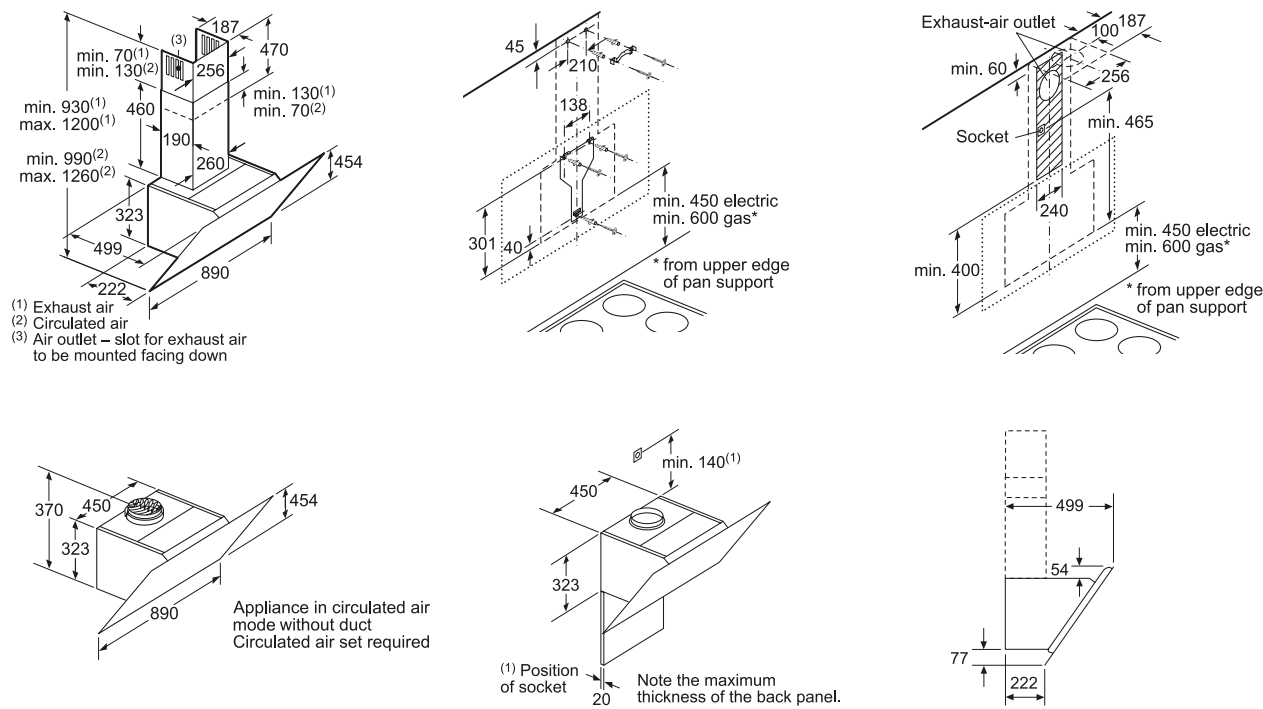


height-adjustable in 20 mm increments (744-1044)

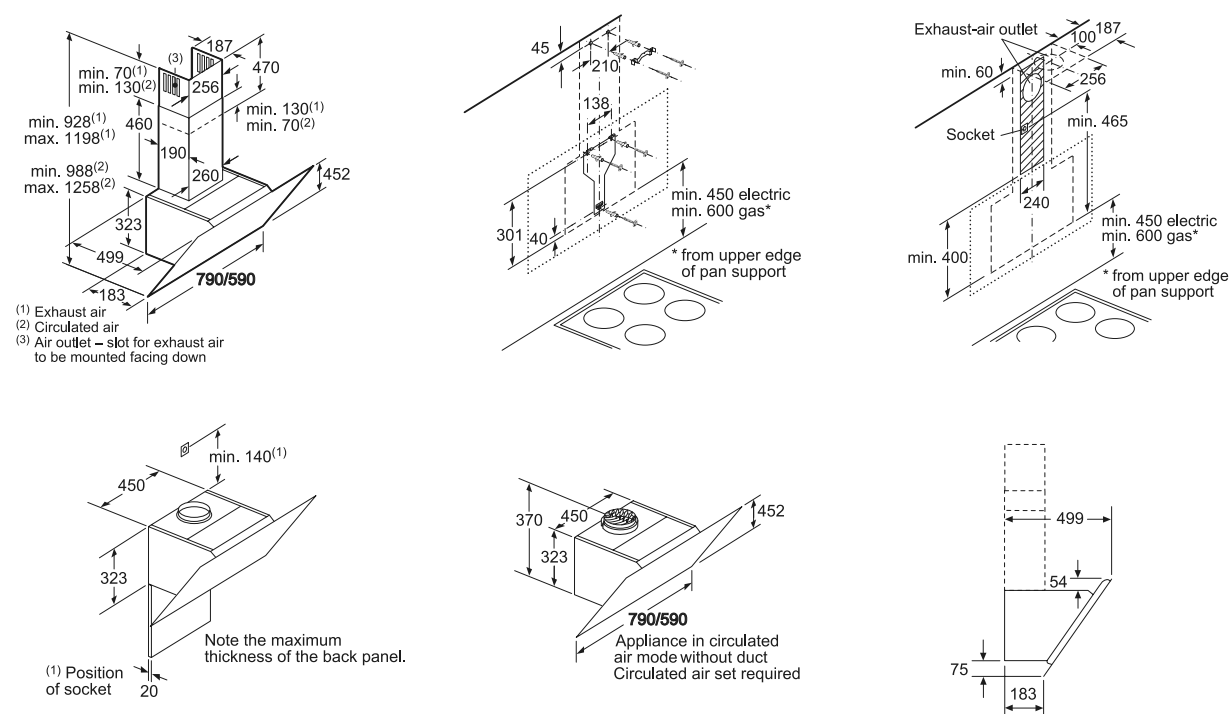


Hood technical diagrams

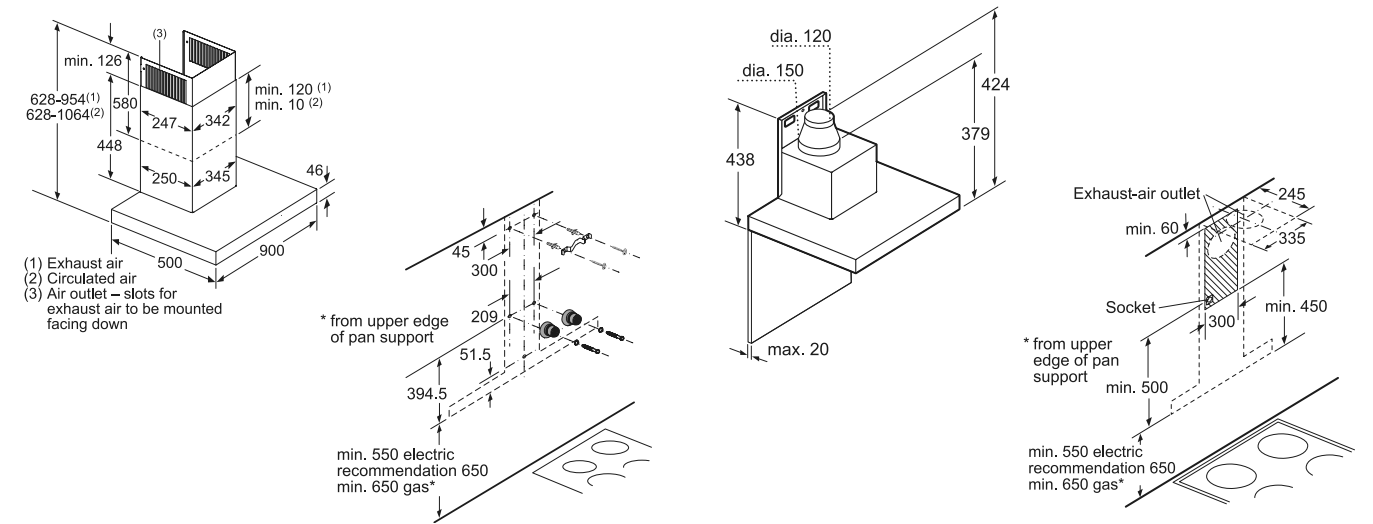
Angled chimney hood LC91KWW60B



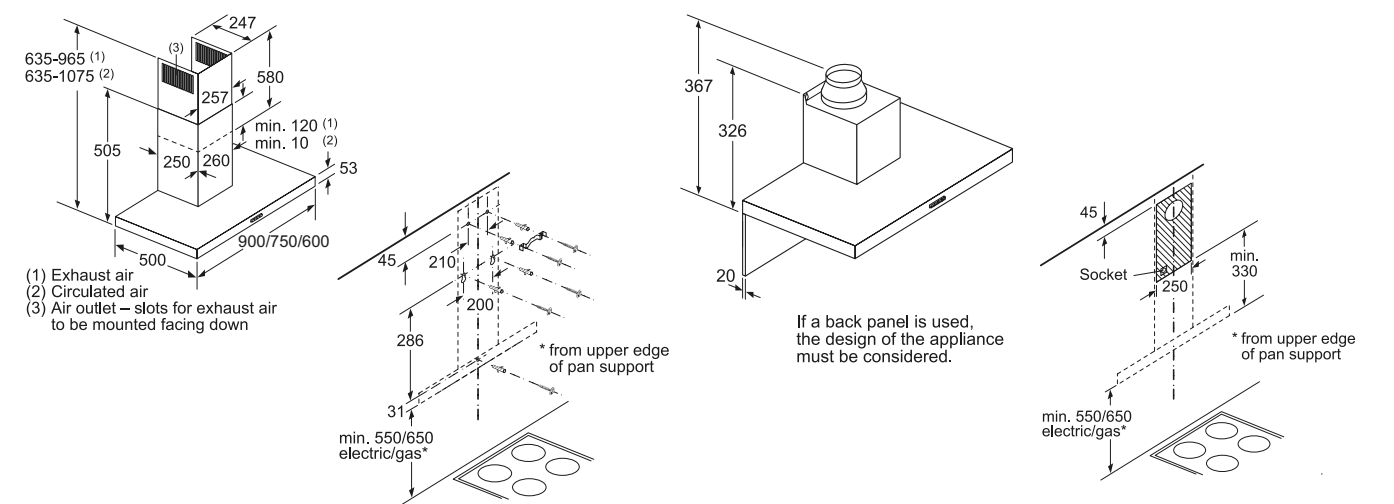
Angled chimney hoods LC87KHM60B and LC67KHM60B



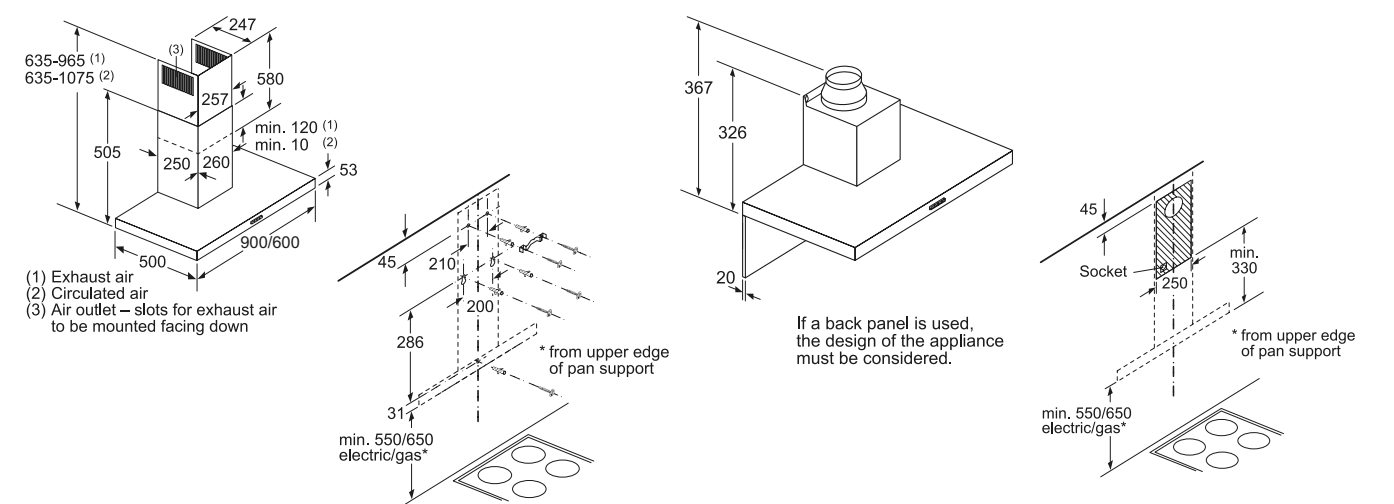
Box chimney hood LC91BUV50B



Box chimney hoods LC97BHM50B, LC77BHM50B and LC67BHM50B

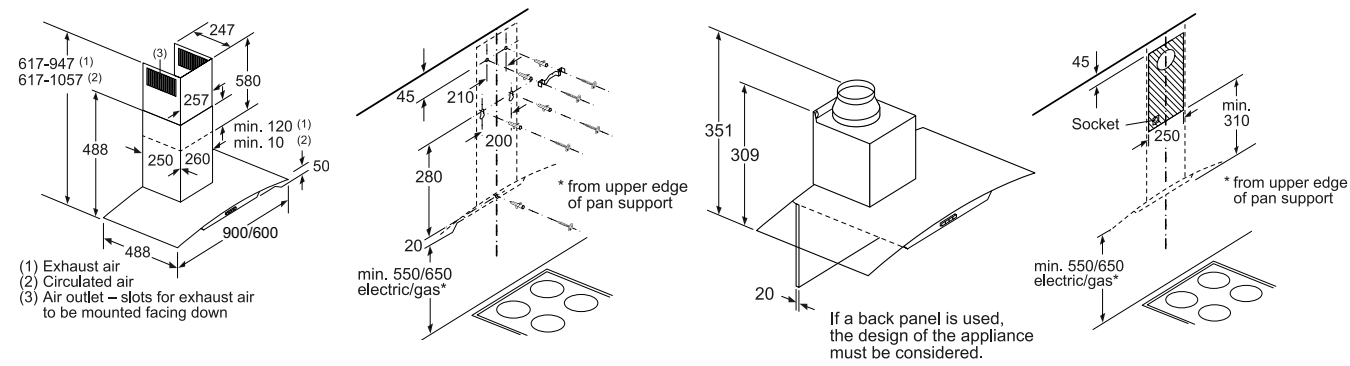


Box chimney hoods LC94BBC50B and LC64BBC50B

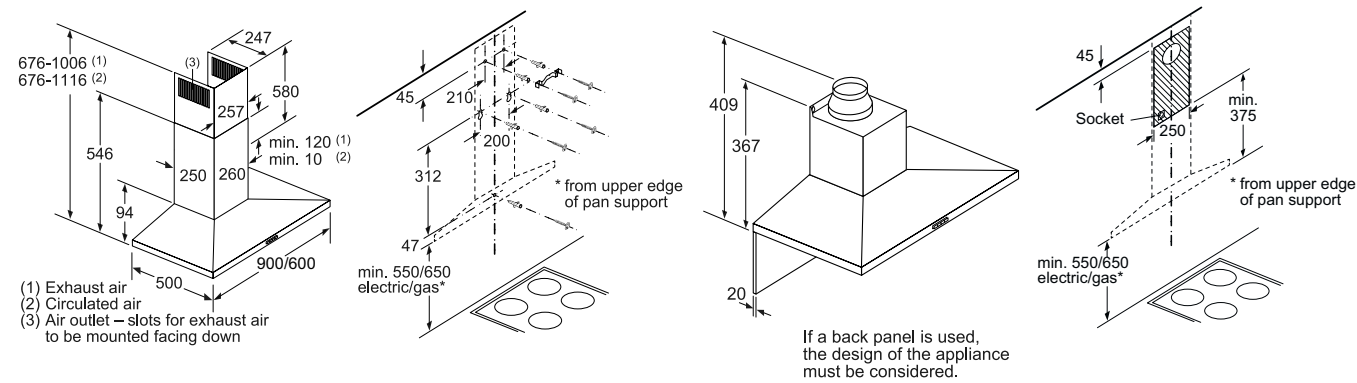


Hood technical diagrams

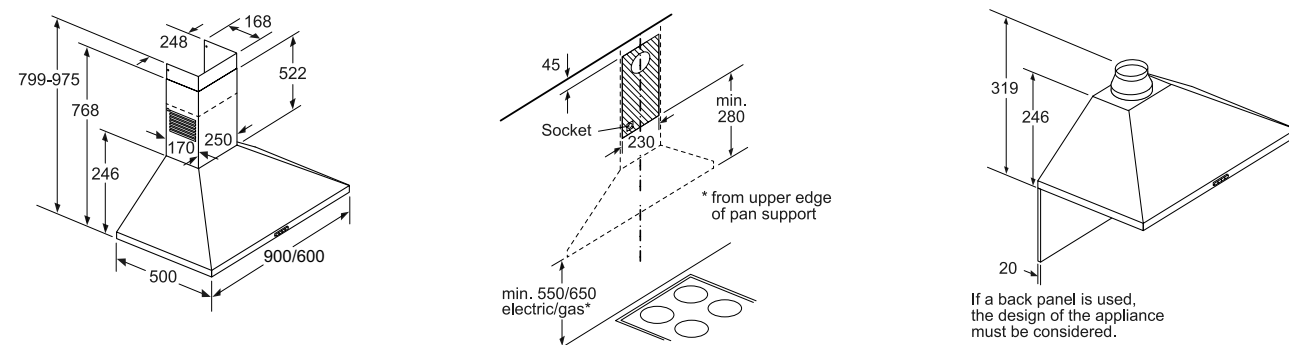
Curved glass chimney hoods LC97AFM50B and LC67AFM50B



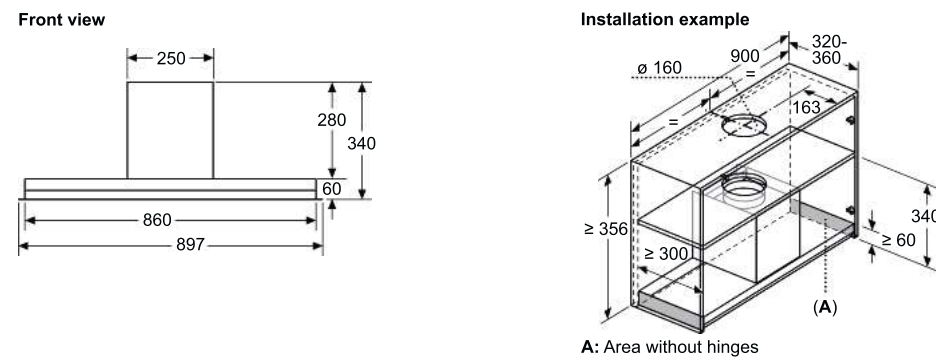
Slim pyramid chimney hoods LC97QFM50B and LC67QFM50B



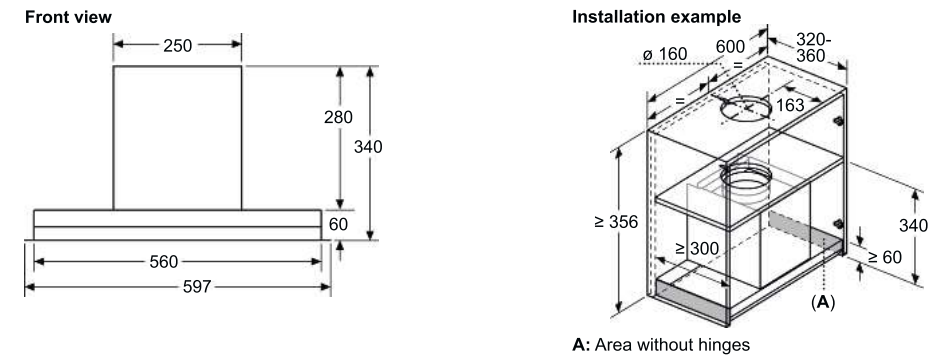
Pyramid chimney hoods LC94PBC50B and LC64PBC50B



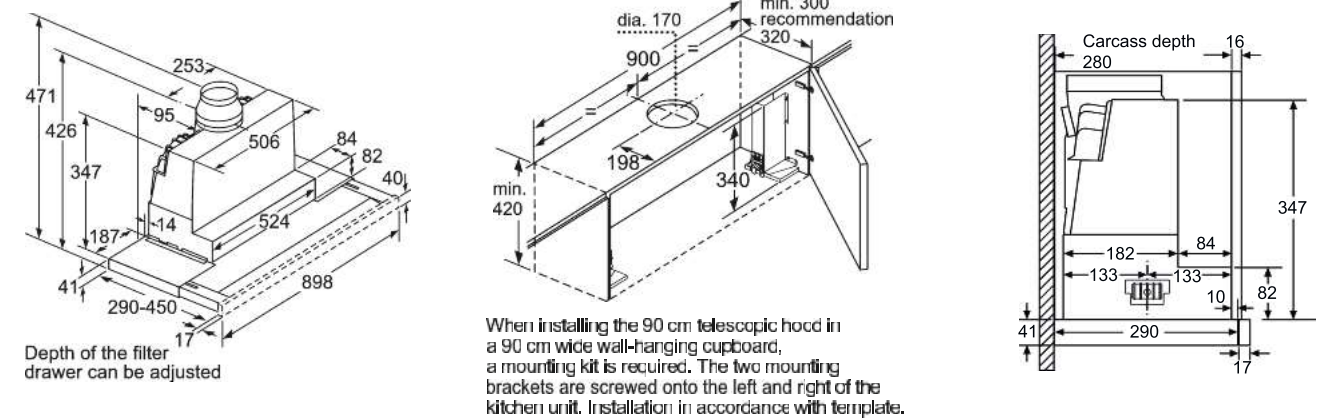
Integrated design hood LJ97BAM60B



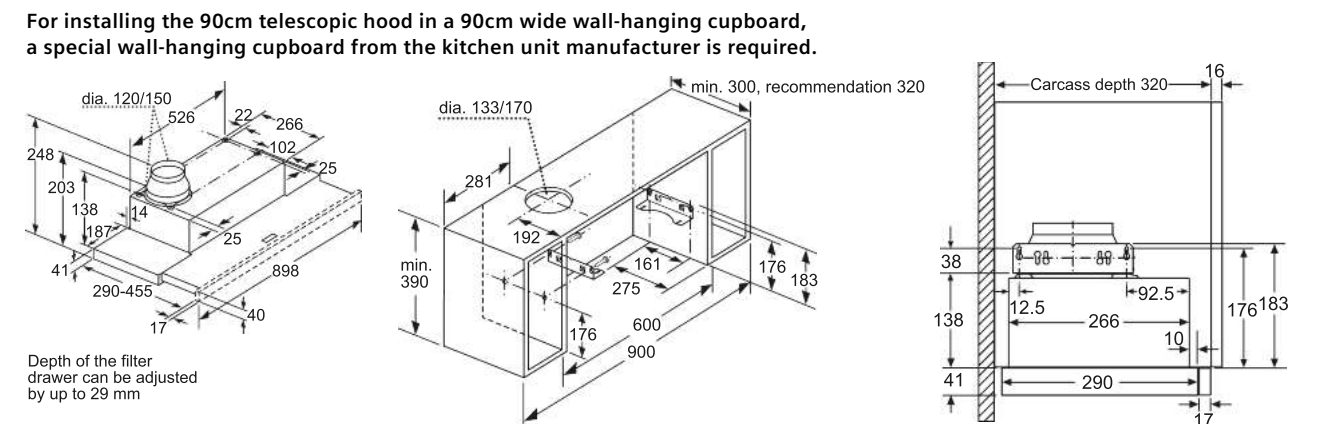
Integrated design hood LJ67BAM60B



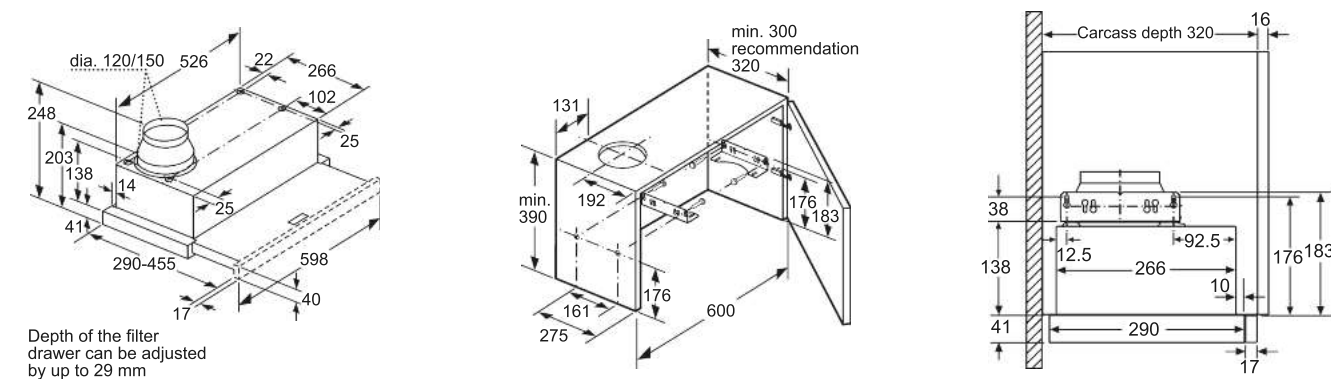
Telescopic hood LI97SA561B



Telescopic hood LI94MA531B

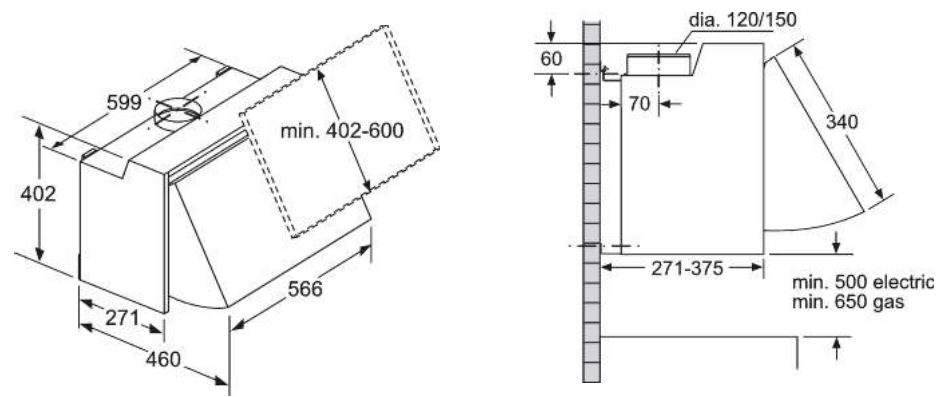


Telescopic hood LI64MA531B

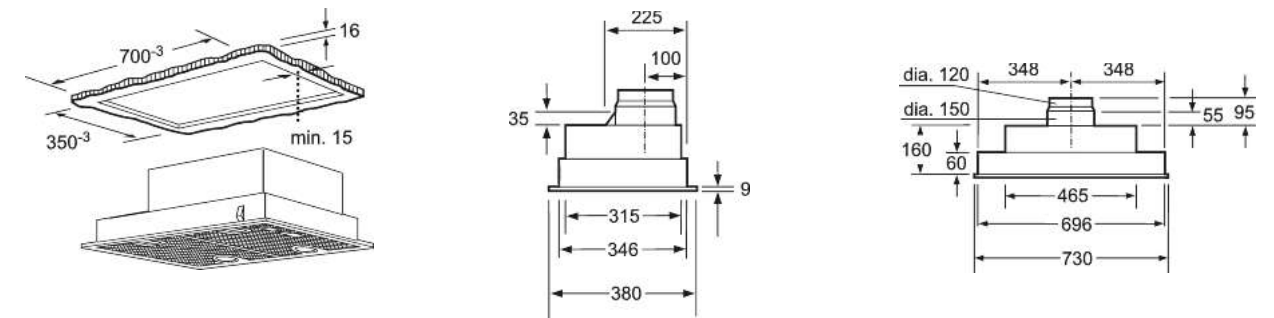


Hood technical diagrams

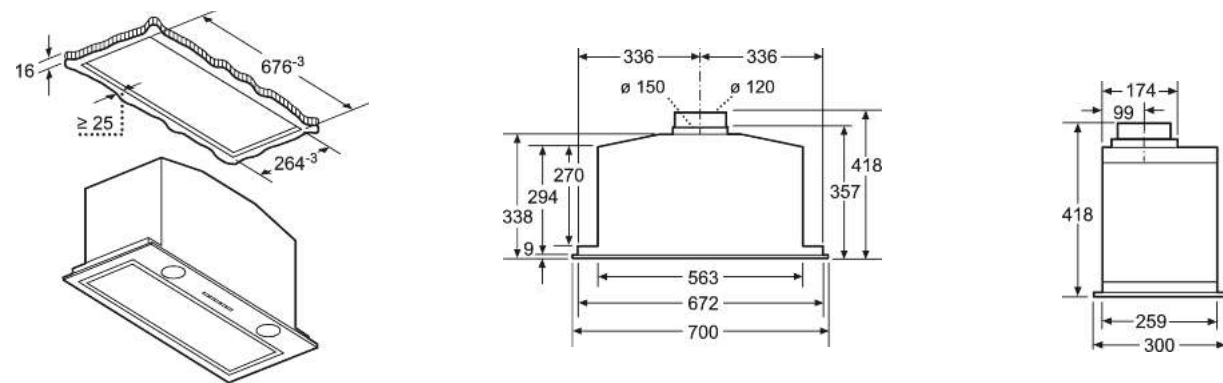
Integrated hoods LE66MAC00B and LE63MAC00B



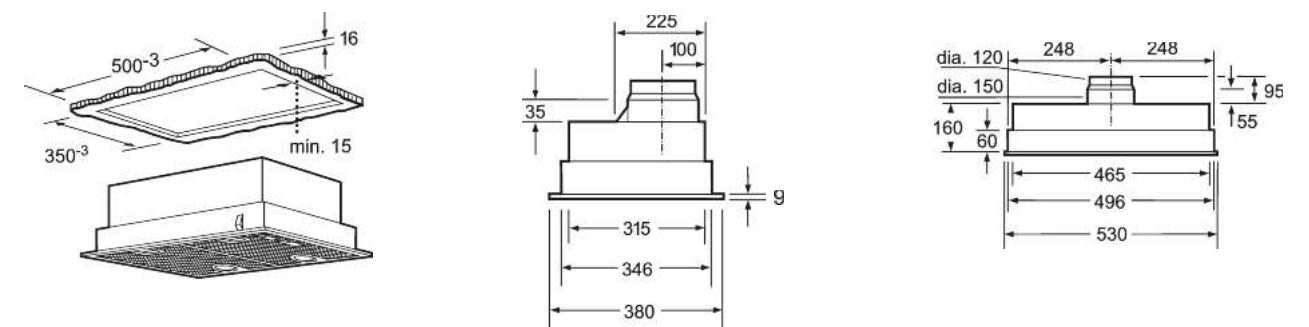
Canopy hood LB75565GB



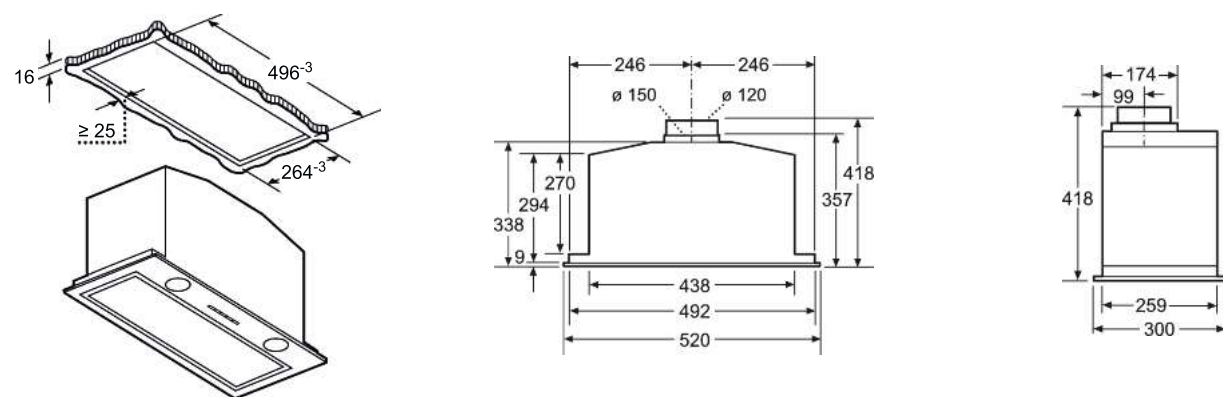
Canopy hoods LB79585MGB and LB78574GB



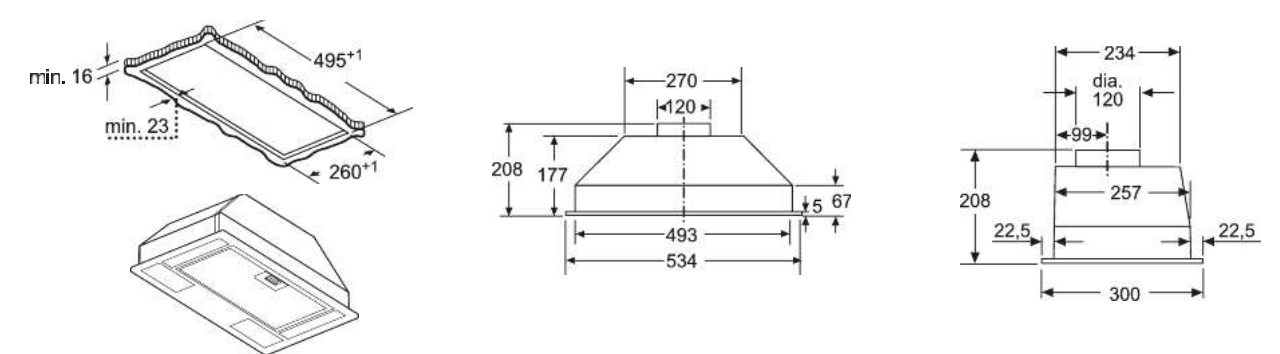
Canopy hood LB55565GB



Canopy hood LB57574GB



Canopy hood LB53NAA30B



Intelligent cooling appliances for long lasting freshness

Siemens built-in cooling appliances provide the ultimate way to store food flexibly and correctly for optimum freshness.

From our smallest built-in fridge to our most impressive, each appliance brings you more freshness and convenience. Now you are finally able to combine Siemens cooling appliances exactly the way you want – with the right combinations for every individual requirement, taste and kitchen design. Siemens built-in fridges, freezers and wine coolers come in a wide range of models so that you have full flexibility when planning your kitchen.



Model shown: KI86NHFE0 fridge freezer

Built-in
Cooling

Siemens built-in cooling warranties:

2
Year Warranty

2 Year Warranty
All Siemens built-in cooling appliances listed in this brochure have a two year manufacturer's warranty as standard to protect against manufacturing or material faults.

Compressor Drive
10
Year Warranty

Compressor Drive 10 Year Warranty
Available on selected Siemens built-in fridges and fridge freezers, this warranty covers defects in the compressor motor.

To find out more about your warranty and for registration, please visit:
siemens-home.bsh-group.com/uk/customer-service/siemens-warranties

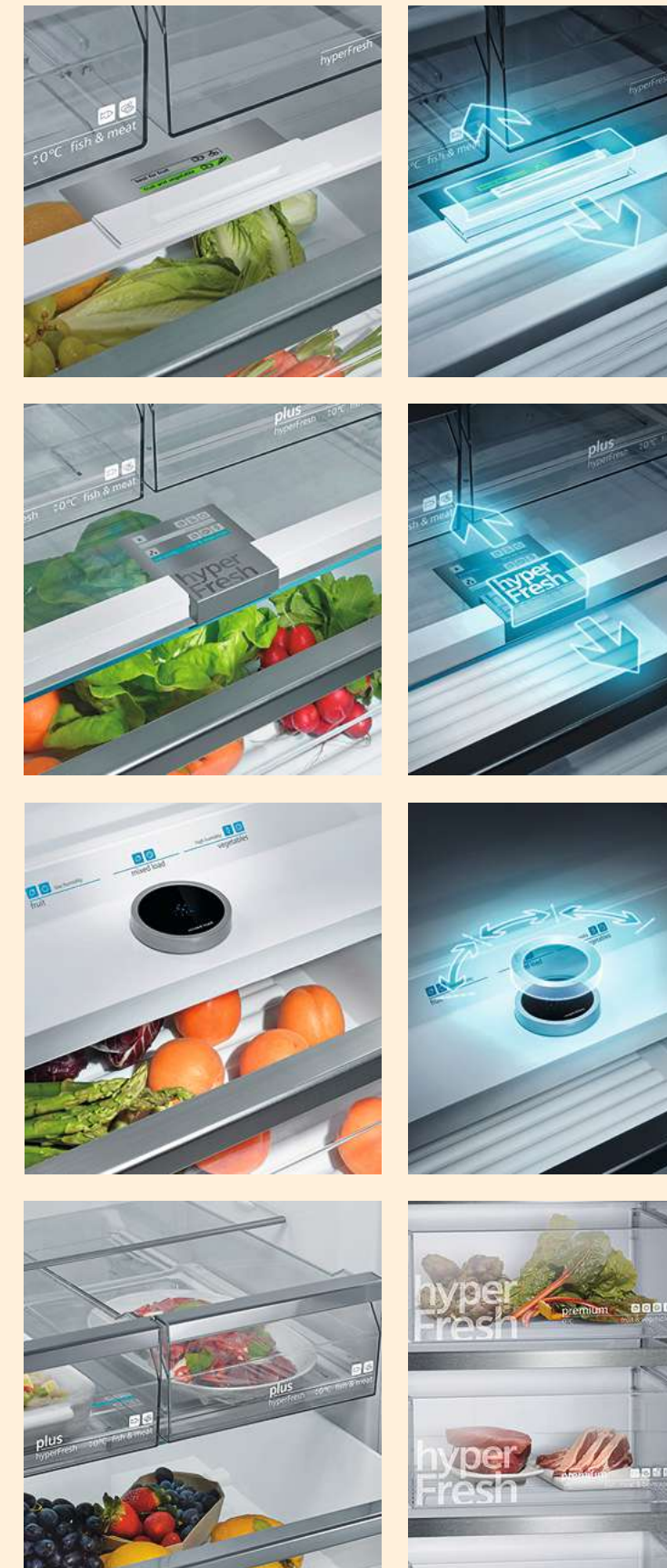
Keep your food fresher for longer



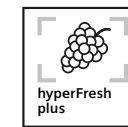
Model shown: KI81FHOD0 hyperFresh premium

hyperFresh technology:

Set the right conditions to ensure your food stays fresher for longer: hyperFresh humidity drawers and near 0°C chiller drawers.



Freshness controlled: hyperFresh
Simply use the stylish control panel to adjust the humidity in the fridge. The hyperFresh drawer with rippled base allows cool air to circulate around your fruits and vegetables easily. As a result, the quality and freshness of your food will be retained.



Shelf life maximised: hyperFresh plus
The hyperFresh plus drawer does not just store food, it provides the right conditions to keep them fresher for longer. Whether you are storing fruits or vegetables, increase shelf life and reduce food wastage. Simply switch between the 2 control settings, and the humidity will be adjusted for optimum storage of your food.



Food stays fresh for longer: hyperFresh premium
Enjoy fresher food with hyperFresh premium. With a choice of 3 humidity controls, simply select whether you are storing fruits, vegetables, or both. The hyperFresh premium drawer will regulate how much humidity your food receives. Be in control; these innovative drawers help to keep in nutrients and minerals to create delicious meals and fewer trips to the supermarkets, saving you time, effort and money. hyperFresh premium is available in selected Siemens single door fridges only.

hyperFresh near 0°C chiller drawers. Perfectly fresh for fish and meat:
The two hyperFresh and hyperFresh plus models: The two hyperFresh near 0°C chiller drawers are especially designed for the storage needs of fish and meat. Keep them fresher in ideal conditions near 0°C to retain the vitamins and minerals for longer. With two separate compartments the transfer of unpleasant smells will be avoided.

hyperFresh premium models: These variants come complete with a larger full-length near 0°C chiller drawer, where fish and meat are stored at the perfect temperature.

Create a combination to fit your lifestyle





Our built-in cooling appliances come in a wide range of heights and widths to allow you to create the perfect combination for your kitchen.

177.2 cm
Height

Height and width
Our built-in cooling appliances are available in a range of heights and widths to fit your kitchen design and available space.

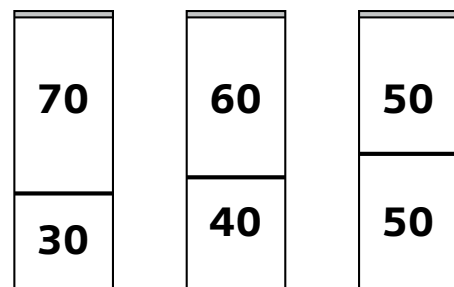
Height and width:

All dimensions are shown as Height x Width.

American Style	Fridge Freezers	Single Door Fridges	Single Door Freezers
Model shown: KA93DVIFPG A F	Model shown: K186NADD0 A D	Model shown: K181RADD0G A D	Model shown: G181NHCE0G A E
			
178.6 x 90.8cm 177 x 91cm 175.6 x 91.2cm	177.2 x 55.8cm 177.2 x 54.1cm	177.2 x 59.8cm 177.2 x 54cm 139.7 x 55.8cm 122.1 x 54.1cm 82 x 59.8cm	177.2 x 55.8cm 82 x 59.8cm

Fridge Freezer split options:

Fridge Freezer split %
Our range of fridge freezers are available in a variety of sizes with different splits of fridge areas and freezer areas. Alternatively, you can create a bespoke split using separate fridge and freezer units stacked or paired side-by-side.



Flexible shelves and door racks.

Expect nothing but convenience with easyLift shelves. Even when full, you can raise or lower the shelf by 6cm to make room for taller items – ideal for serving jugs. Our easyLift door trays are also great for large bottles in the fridge door, the shelf can be adjusted to meet the flexible requirements of your lifestyle.



Flexible modularFit cooling integrated appliances.

Siemens modularFit appliances are freely combinable.

You need a kitchen that matches your lifestyle. That is why our single door cooling and freezing appliances can be combined exactly the way you want – with the right combinations for every individual requirement and taste. But the flexibility does not stop with the way you can arrange your kitchen. With unique and innovative cooling technologies the appliances even enrich your everyday life. Siemens modularFit appliances come with a feeling of flexibility and exciting innovations like hyperFresh and noFrost technology. The simple installation as well as an energy efficiency category offers maximum flexibility and freshness.


Combine your cooling and freezing appliances the way you want: modularFit.

Whether it is on top or next to each other: thanks to the anti-condensation technology you are able to match cooling and freezing appliances however you like. The innovative technology prevents build-up of moisture between the appliances.



Choosing the right hinge: fixed and sliding.

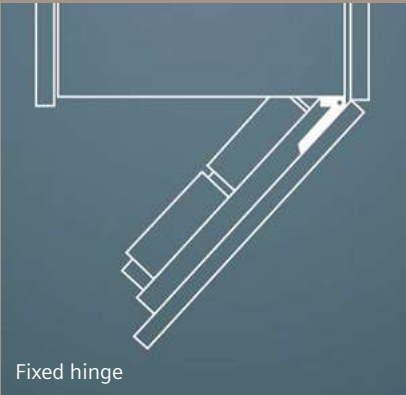
Siemens built-in cooling appliances are available with specific types of hinges that either aid the installation and design of your kitchen or can be matched for replacement appliances.




Fixed hinge
A fixed hinge means that the furniture door is mounted to the appliance door. Advantages of a fixed hinge mean that Siemens can offer softClosing doors that automatically close at an angle of approx 15°-20° preventing the door from accidentally being left open. The installation also offers better access to the appliance interior and due to the optimised width, higher energy efficiency with competitive volume.

They are thoroughly tested to withstand constant opening and closing, the softClose door retracts effortlessly and creates minimal noise. In addition to aesthetics, a softClose door ensures that items within the fridge are not disturbed from a heavy impact, meaning no spills to clean.

Sliding hinge
A sliding hinge means that the furniture door is mounted at the kitchen cabinet body as well as a sliding rail to connect the fridge and furniture door.



Fixed hinge



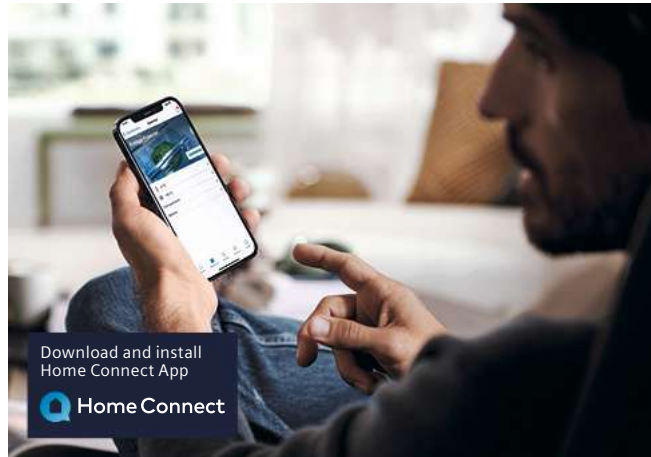
Sliding hinge

Explore more cooling features

Experience intelligent cool with Home Connect.

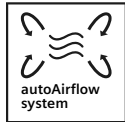
Smart fridges

Flexibly control your appliances using your smartphone or smartwatch. Using the Home Connect app, you can adjust the temperature of your fridge or turn on superCool on the way home from your food shop. You can even turn on Holiday Mode from the beach to save energy while you are away. We will send you useful push notifications so you know if there has been a significant temperature change in your fridge, or if the door has been left open, minimising the risk of food waste.



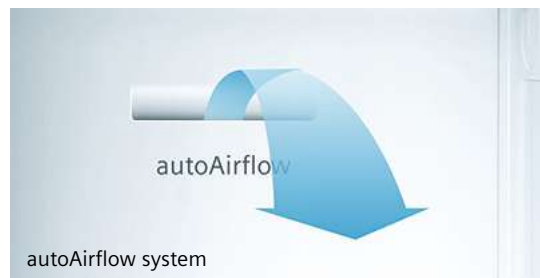
Download and install Home Connect App
Home Connect

Optimised cooling.



autoAirflow system

This system works with the electronics to optimise the air circulation within the fridge and freezer compartments to ensure even cooling throughout the appliance. This means however you organise your groceries it will cool them quickly no matter where they are placed. The back wall of the appliance has open vents which work with the cooling circuit to draw cold air into each compartment.



autoAirflow system



Model shown: K186NADD0 fridge freezer

Type of control.



Interior LCD display

Type of control.



At the touch of a button, the in-door LCD display offers precision control to allow the optimum temperature for food to be maintained easily. This in turn helps to keep your food fresher for longer.

LED Light.



LED light

LED Light.

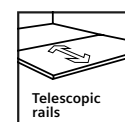


The new integrated long-lasting LED lights available on most of our range fit flush in the side walls or ceiling and illuminate the interior uniformly and perfectly without blinding you.

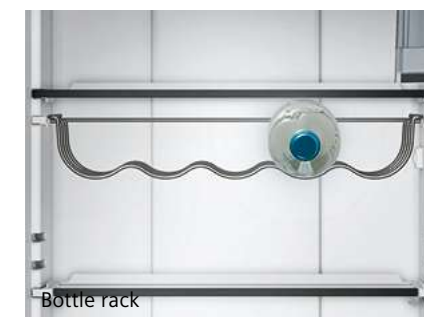
Storage solutions for all of your needs.



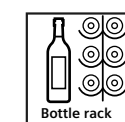
Telescopic rails



Ergonomically ideal access
Fully-retractable drawers on telescopic rails create an easy access shelving zone. This allows you to easily pull the drawers out further, giving you a better overview of all food items and making them easier to remove.



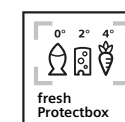
Bottle rack



Bottle rack
Available on some models, the perfect place to store wine of all varieties and make the best use of space in your fridge. The wave-shaped bottle rack can be positioned in a variety of places and safely stores bottles without them rolling back and forth.



freshProtectbox



freshProtectbox
Provides the optimum temperature for individual foods, allowing them to stay fresher for longer. This in turn helps you reduce waste and take fewer trips to the supermarket – saving you time and money.

Freezer features

With noFrost technology you will never have the job of defrosting the freezer again.



noFrost

Defrosting the freezer is now done automatically. Siemens freezers are equipped with intelligent sensor-controlled technology to save the chore of defrosting the freezer. An air-circulation system guides the humidity to the outside of the refrigerator into an external evaporation tray, and sensors measure the degree of humidity and any frost production – ensuring the appliance is periodically defrosted without the need to turn off the appliance or empty it out. Also, ice no longer forms on the inside of the refrigerator, and the appliance's energy consumption remains consistently low.



lowFrost

For those models that come with lowFrost, life is still made easier. lowFrost reduces the build-up of frost by up to 50%, so there is no need to defrost the freezer as often, only once every 3 to 4 years. Designed to save you time and provide added convenience, you can spend your time on the things you enjoy, not defrosting your freezer.

Storage made easy with bigBox.



Big enough for your lifestyle, the bigBox has the capacity for storing whole frozen turkeys, as well as the height to hold dessert glasses upright. Ideal for the holidays and entertaining.

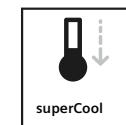


Other useful freezer features.



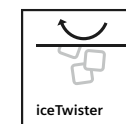
superFreeze function

superFreeze makes sure that warmer food added to the freezer does not raise the freezer temperature, stopping food partially defrosting.



superCool

You can use the superCool button to quickly reduce the temperature in the refrigerator to +2 °C. This prevents an undesirable rise in the temperature of your already chilled food whenever you add food that is not as cold.



Easy to refill for continuous ice: the iceTwister.

Enjoy your own personal ice cube service. Simply activate the iceTwister and receive up to 20 ice cubes at once right away. The water tank is very easy to remove for reliable refilling.



iceDispenser

Models with this feature are able to dispense ice when needed thanks to a plumbed water connection. Depending on model, ice is available as cubes or crushed.



Model shown: GI81NHCE0G freezer



Wine cabinets

Premium design with optimal temperature control.

Your favourite wines deserve to be carefully stored and beautifully presented.

Our wine cabinets will ensure your bottles are displayed effortlessly in a kitchen appliance which makes an impressive visual statement. Thanks to Siemens state-of-the-art technology, your wine will be maintained at the optimal temperature for their type too. So each individual bottle – whether it is red, white or sparkling, is conditioned perfectly for you to enjoy when you need it.

Siemens wine cabinets are designed to provide great first-rate storage for any wine. Wine bottles are presented elegantly on beautifully crafted oak wooden shelves, reducing the risk of scratches or tears to the bottles and labels. Wood is also the perfect surface to display wine, minimising vibrations which can cause wines to age.

Light, especially sunlight, can adversely affect wine. The sun's ultra violet rays in particular can degrade and prematurely age wine. Siemens wine cabinets are equipped with LED lights to minimise heat emitted and, as a result, temperature fluctuations. So the cabinet remains at the optimal temperature at which it is set. Settings can be specified from 5-20°C, allowing you to store your Champagne from 5-8°C, as well as your red wine from 12-20°C.

The glass panelled doors are also protected with a UV filter offering further protection to your bottles from any unnecessary light that can lead them to spoil or fade wine labels.

The soft LED feature provides added drama phasing in gently to reveals your wine. If you plan to make your cabinet the focal point of your kitchen, our Presentation Mode feature will allow you to permanently keep the light on, allowing your bottles to shine in their glory.



Depending on the cabinet you choose, there is space to fit up to 21 bottles in our 30cm wide cabinet, or up to 44 bottles in our 60cm wide unit. The grey interior gives a premium modern seamless finish throughout your kitchen. Each cabinet is also designed with a reversible hinge allowing you to change the direction the door opens depending on how your kitchen units flow.

Acoustic warning light indicators will notify you if the door is opened for a long period, or if the wine storage compartment is too warm or too cold for an extended period so you can be sure your wine is in safe hands.



2 Year Warranty
A Two year warranty is offered on our wine cabinets to cover manufacturing or material faults.

For more information please see page 263.

iQ500 KU20WVHF0G

Built-under wine cabinet
Black



Model shown: KU20WVHF0G built-under wine cabinet



Built-under wine cabinet
specifications

APPLIANCE TYPE	BUILT-UNDER WINE CABINETS	
	iQ500	iQ500
Design family	KU20WVHF0G	KU21WAHG0G
Model number	KU20WVHF0G	KU21WAHG0G
Colour	Black	Black
DESIGN FEATURES		
Colour of side panels	Black	Black
Type of glass door	3 glass panels, UV-filtered	3 glass panels, UV-filtered
Door handle type	vertical bar handle	vertical bar handle
Temperature display	Interior / Digital LED	Interior / Digital LED
Reversible door, hinged on right	■	■
Home Connect / Built-in cameras	-	-
KEY FEATURES – WINE CABINET SECTION		
Range of temperature (0°C)	5 - 20	5 - 20
Temperature zones	1	2
LED light	■	■
Number of shelves	4	5
Number of oak shelves	3	3
Number of adjustable shelves	-	-
Presenter shelf and lighting	-	-
Capacity in 0.75L (Bordeaux bottles)	21	44
FUNCTIONS		
Door open warning signal/malfunction	■	■
Child lock	■	■
PERFORMANCE & CONSUMPTION		
Energy efficiency class	A+ F	A+ G
Annual energy consumption ¹ (kWh)	100	130
Refrigerator net capacity (litres)	56	108
Climate Class ²	SN-ST	SN-ST
Noise level (dB [A] re 1pW)	38	38
Noise emission class	C	C
Height of product (mm)	818	818
Width of product (mm)	298	598
Depth of product (mm)	567	581

■ Yes, model has this feature. – Feature not available for this model.

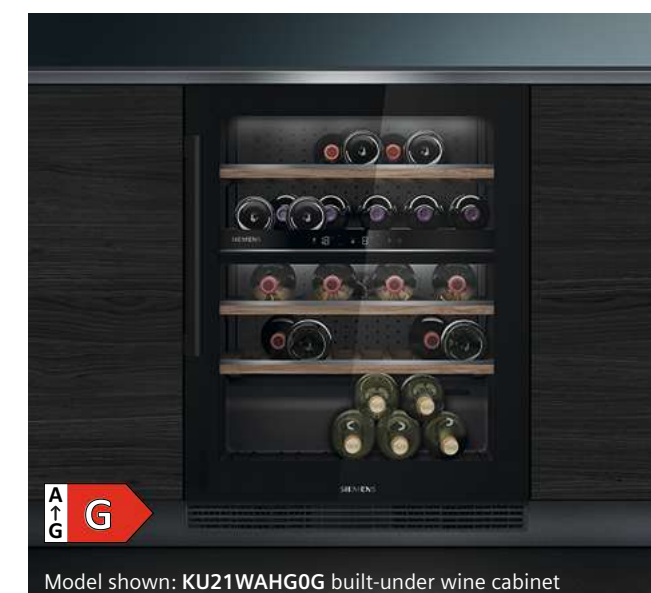
¹ Actual energy consumption will depend on how the appliance is used and where it is located.

² Climate zone SN – designed to operate in ambient temperature of +10°C to 32°C.

Climate zone T – designed to operate in ambient temperature of +18°C to 43°C.

Please note: ventilation grill not supplied.

Data valid in this table as of October 2023. Subject to modification without prior notice.



Model shown: KU21WAHG0G built-under wine cabinet

For specification details, please visit siemens-home.bsh-group.com/uk and download a full specification sheet.

For the full range of accessories, please visit our online accessory shop at siemens-home.bsh-group.com/uk/shop or call our Spares Department on 0344 892 8999.

Fridge freezers

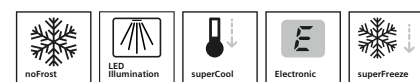
NoFrost

HomeConnect



iQ500 KB96NADD0G

noFrost bottom fridge freezer
193.5cm high



Built-in fridge freezer specifications

APPLIANCE TYPE	XXL NOFROST BOTTOM FRIDGE FREEZER
Design family	iQ500
Model number	KB96NADD0G
DESIGN FEATURES	
Fridge / Freezer split	60 / 40
noFrost	■
lowFrost	-
softClose hinge	■
Type of hinge (reversible)	Flat hinge
Home Connect	■
FOOD FRESHNESS SYSTEM	
hyperFresh	1 x hyperFresh box 1 x hyperFresh 0°C box
KEY FEATURES – FRIDGE SECTION	
Compressor drive motor	■
Light	LED
superCool function	■
Type of control	Electronic
Number of shelves	5
Number of adjustable shelves	4
Number of door bins / shelves	3
Type of shelves	Safety glass
Temperature display	Digital LED
Warning signal door open	■
Bottle shelves in fridge	■
KEY FEATURES – FREEZER SECTION	
Door opened indicator	■
superFreeze function	■
Temperature adjustable in freezer	-
Number of ice cube trays	1
Number of freezer drawers	3
ADDITIONAL INFORMATION	
Energy efficiency class	A+ D
Energy consumption annual ¹ (kWh)	204
Total net capacity (litres)	381
Refrigerator net capacity 4°C-8°C (litres)	284
Refrigerator net capacity 0°C (litres)	24
Freezer net capacity (litres)	98
Climate class ²	SN-T
Noise level (dB [A] re 1pW)	33
Noise emission class	B
Additional accessories included	3 x egg trays 1 x ice cube tray
Height of product (mm)	1935
Width of product (mm)	708
Depth of product (mm)	548

■ Yes, model has this feature. - Feature not available for this model.

¹ Actual energy consumption will depend on how the appliance is used and where it is located.

² Climate zone SN = designed to operate in ambient temperature of +10°C to 32°C.

Climate zone T = designed to operate in ambient temperature of +18°C to 43°C.

Data valid in this table as of October 2023. Subject to modification without prior notice.



Built-in fridge freezer specifications

APPLIANCE TYPE	XL NOFROST BOTTOM FRIDGE FREEZERS	
Design family	iQ300	iQ100
Model number	K196NVFDO	K196NNSE0
DESIGN FEATURES		
Fridge / Freezer split	60 / 40	60 / 40
noFrost	■	■
lowFrost	-	-
softClose hinge	-	-
Type of hinge (reversible)	Fixed hinge	Sliding hinge
Home Connect	-	-
FOOD FRESHNESS SYSTEM		
hyperFresh	1 x hyperFresh box	-
KEY FEATURES – FRIDGE SECTION		
Compressor drive motor	■	■
Light	LED	LED
superCool function	-	■
Type of control	Electronic	Electronic
Number of shelves	4	5
Number of adjustable shelves	3	4
Number of door bins / shelves	4	4
Type of shelves	Safety glass	Safety glass
Temperature display	Digital LED	Digital LED
Warning signal door open	■	■
Bottle shelves in fridge	■	-
KEY FEATURES – FREEZER SECTION		
Door opened indicator	■	■
superFreeze function	■	■
Temperature adjustable in freezer	-	-
Number of ice cube trays	1	1
Number of freezer drawers	3	3
ADDITIONAL INFORMATION		
Energy efficiency class	A+ D	A+ E
Energy consumption annual ¹ (kWh)	184	231
Total net capacity (litres)	290	290
Refrigerator net capacity 4°C-8°C (litres)	215	215
Refrigerator net capacity 0°C (litres)	75	75
Freezer net capacity (litres)	75	75
Climate class ²	SN-ST	SN-ST
Noise level (dB [A] re 1pW)	34	34
Noise emission class	B	B
Additional accessories included	3 x egg trays 1 x ice cube tray	1 x egg tray 1 x ice cube tray
Height of product (mm)	1935	1935
Width of product (mm)	558	541
Depth of product (mm)	548	548

■ Yes, model has this feature. - Feature not available for this model.

¹ Actual energy consumption will depend on how the appliance is used and where it is located.

² Climate zone SN = designed to operate in ambient temperature of +10°C to 32°C.

Climate zone T = designed to operate in ambient temperature of +18°C to 43°C.

Data valid in this table as of October 2023. Subject to modification without prior notice.

Built-in fridge freezer specifications



APPLIANCE TYPE	NOFROST BOTTOM FRIDGE FREEZERS		
Design family	IQ500	IQ300	IQ300
Model number	KI86NADD0	KI86NHFE0	KI86NVFE0G
DESIGN FEATURES			
Fridge / Freezer split	60 / 40	60 / 40	60 / 40
noFrost	■	■	■
lowFrost	-	-	-
softClose hinge	■	-	-
Type of hinge (reversible)	Flat hinge	Fixed hinge	Fixed hinge
Home Connect	-	■	-
FOOD FRESHNESS SYSTEM			
hyperFresh	1 x hyperFresh box	2 x hyperFresh drawers	2 x hyperFresh drawers
KEY FEATURES – FRIDGE SECTION			
Compressor drive motor	■	■	■
Light	LED	LED	LED
superCool function	■	■	-
Type of control	Electronic	Electronic	Electronic
Number of shelves	3	5	3
Number of adjustable shelves	2	3	3
Number of door bins / shelves	3	3	3
Type of shelves	Safety glass	Safety glass	Safety glass
Temperature display	Digital LED	Digital LED	Digital LED
Warning signal door open	■	■	■
Bottle shelves in fridge	■	■	■
KEY FEATURES – FREEZER SECTION			
Door opened indicator	-	■	■
superFreeze function	■	■	■
Temperature adjustable in freezer	■	-	-
Number of ice cube trays	1	1	1
Number of freezer drawers	3	3	3
ADDITIONAL INFORMATION			
Energy efficiency class			
Energy consumption annual ¹ (kWh)	186	234	234
Total net capacity (litres)	260	260	260
Refrigerator net capacity 4°C-8°C (litres)	184	184	184
Refrigerator net capacity 0°C (litres)	24	24	24
Freezer net capacity litres	76	76	76
Climate class ²	SN-ST	SN-ST	SN-ST
Noise level (dB [A] re 1pW)	35	35	35
Noise emission class	B	B	B
Additional accessories included	3 x egg trays, 1 x ice cube tray	3 x egg trays, 1 x ice cube tray	3 x egg trays, 1 x ice cube tray
Height of product (mm)	1772	1772	1772
Width of product (mm)	558	541	541
Depth of product (mm)	548	548	548

■ Yes, model has this feature. - Feature not available for this model.

¹ Actual energy consumption will depend on how the appliance is used and where it is located.

² Climate zone SN = designed to operate in ambient temperature of +10°C to 32°C.

Climate zone T = designed to operate in ambient temperature of +18°C to 43°C.

Data valid in this table as of October 2023. Subject to modification without prior notice.

Built-in fridge freezer specifications



APPLIANCE TYPE	NOFROST BOTTOM FRIDGE FREEZERS	
Design family	IQ300	IQ100
Model number	KI86NVSE0G	KI85NNFF0G
DESIGN FEATURES		
Fridge / Freezer split	60 / 40	50 / 50
noFrost	■	■
lowFrost	-	-
softClose hinge	-	-
Type of hinge (reversible)	Sliding hinge	Fixed hinge
Home Connect	-	-
FOOD FRESHNESS SYSTEM		
hyperFresh	2 x hyperFresh drawers	1 x vegetable drawer
KEY FEATURES – FRIDGE SECTION		
Compressor drive motor	■	■
Light	LED	LED
superCool function	-	-
Type of control	Electronic	Electronic
Number of shelves	3	3
Number of adjustable shelves	3	2
Number of door bins / shelves	3	2
Type of shelves	Safety glass	Safety glass
Temperature display	Digital LED	Digital display
Warning signal door open	■	■
Bottle shelves in fridge	■	-
KEY FEATURES – FREEZER SECTION		
Door opened indicator	■	■
superFreeze function	■	■
Temperature adjustable in freezer	-	-
Number of ice cube trays	1	1
Number of freezer drawers	3	4
ADDITIONAL INFORMATION		
Energy efficiency class		
Energy consumption annual ¹ (kWh)	260	298
Total net capacity (litres)	184	249
Refrigerator net capacity 4°C-8°C (litres)	76	150
Refrigerator net capacity 0°C (litres)	24	-
Freezer net capacity litres	7	99
Climate class ²	SN-ST	SN-ST
Noise level (dB [A] re 1pW)	39	39
Noise emission class	B	C
Additional accessories included	3 x egg trays, 1 x ice cube tray	3 x egg trays, 1 x ice cube tray
Height of product (mm)	1772	1772
Width of product (mm)	541	541
Depth of product (mm)	548	548

■ Yes, model has this feature. - Feature not available for this model.

¹ Actual energy consumption will depend on how the appliance is used and where it is located.

² Climate zone SN = designed to operate in ambient temperature of +10°C to 32°C.

Climate zone T = designed to operate in ambient temperature of +18°C to 43°C.

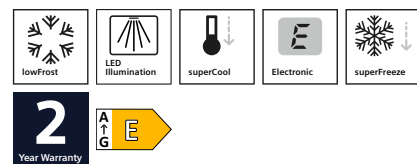
Data valid in this table as of October 2023. Subject to modification without prior notice.

Fridge freezers

LowFrost

iQ 500 K187SAFE0G

noFrost bottom fridge freezer
177cm high



Built-in fridge freezer specifications

APPLIANCE TYPE		LOWFROST BOTTOM FRIDGE FREEZER
Design family		iQ 500
Model number		K187SAFE0G
DESIGN FEATURES		
Fridge / Freezer split		70 / 30
noFrost		-
lowFrost		■
softClose hinge		-
Type of hinge (reversible)		Fixed hinge
Home Connect		-
FOOD FRESHNESS SYSTEM		
hyperFresh		1 hyperFresh Plus drawer
KEY FEATURES – FRIDGE SECTION		
Compressor drive motor		■
Light		LED
superCool function		■
Type of control		Electronic
Number of shelves		5
Number of adjustable shelves		4
Number of door bins / shelves		5
Type of shelves		Safety glass
Temperature display		Digital 7 segment
Warning signal door open		■
Bottle shelves in fridge		-
KEY FEATURES – FREEZER SECTION		
Door opened indicator		■
superFreeze function		■
Temperature adjustable in freezer		■
Number of ice cube trays		2
Number of freezer drawers		2
ADDITIONAL INFORMATION		
Energy efficiency class		A++
Energy consumption annual ¹ (kWh)		207
Total net capacity (litres)		272
Refrigerator net capacity 4°C-8°C (litres)		209
Refrigerator net capacity 0°C (litres)		-
Freezer net capacity litres		63
Climate class ²		SN-T
Noise level (dB [A] re 1pW)		36
Noise emission class		C
Additional accessories included		2 x ice packs, 3 x egg trays, 1 x ice cube tray 1 x ice cube tray with lid, 1 x bottle holder in door tray
Height of product (mm)		1772
Width of product (mm)		558
Depth of product (mm)		545

■ Yes, model has this feature. - Feature not available for this model.

¹ Actual energy consumption will depend on how the appliance is used and where it is located.
² Climate zone SN = designed to operate in ambient temperature of +10°C to 32°C.
Climate zone T = designed to operate in ambient temperature of +18°C to 43°C.

Data valid in this table as of October 2023. Subject to modification without prior notice.



Built-in fridge freezer specifications

APPLIANCE TYPE		LOWFROST BOTTOM FRIDGE FREEZERS			
Design family		iQ 300	iQ 300	iQ 300	iQ 100
Model number		K186VVFEOG	K187VVFEOG	K187VVSEOG	K187VNSEOG
DESIGN FEATURES					
Fridge / Freezer split		60 / 40	70 / 30	70 / 30	70 / 30
noFrost		-	-	-	-
lowFrost		■	■	■	■
softClose hinge		-	-	-	-
Type of hinge (reversible)		Fixed hinge	Fixed hinge	Sliding hinge	Sliding hinge
Home Connect		-	-	-	-
FOOD FRESHNESS SYSTEM					
hyperFresh		1 vegetable drawer	1 vegetable drawer	1 vegetable drawer	1 x Fresh box
KEY FEATURES – FRIDGE SECTION					
Compressor drive motor		■	■	■	■
Light		LED	LED	LED	LED
superCool function		-	-	-	-
Type of control		Electronic	Electronic	Electronic	Electronic
Number of shelves		4	5	5	5
Number of adjustable shelves		3	4	4	4
Number of door bins / shelves		3	4	5	4
Type of shelves		Safety glass	Safety glass	Safety glass	Safety glass
Temperature display		Digital LED	Digital LED	Digital LED	Digital LED
Warning signal door open		■	■	■	-
Bottle shelves in fridge		■	■	■	-
KEY FEATURES – FREEZER SECTION					
Door opened indicator		■	■	■	■
superFreeze function		■	■	■	■
Temperature adjustable in freezer		-	-	-	-
Number of ice cube trays		2	2	2	1
Number of freezer drawers		3	2	2	2
ADDITIONAL INFORMATION					
Energy efficiency class		A++	A++	A++	A++
Energy consumption annual ¹ (kWh)		229	216	216	216
Total net capacity (litres)		267	270	270	270
Refrigerator net capacity 4°C - 8°C (litres)		183	200	200	200
Refrigerator net capacity 0°C (litres)		-	-	-	-
Freezer net capacity litres		84	70	70	70
Climate class ²		SN-T	SN-T	SN-T	SN-ST
Noise level (dB [A] re 1pW)		35	35	35	35
Noise emission class		D	D	D	C
Additional accessories included		2 x ice packs, 3 x egg trays, 1 x ice cube tray, 1 x ice cube tray with lid	2 x ice packs, 3 x egg trays, 1 x ice cube tray, 1 x ice cube tray with lid	2 x ice packs, 3 x egg trays, 1 x ice cube tray, 1 x ice cube tray with lid	3 x egg trays, 1 x ice cube tray
Height of product (mm)		1772	1772	1772	1772
Width of product (mm)		541	541	541	541
Depth of product (mm)		545	545	545	548

■ Yes, model has this feature. - Feature not available for this model.

¹ Actual energy consumption will depend on how the appliance is used and where it is located.
² Climate zone SN = designed to operate in ambient temperature of +10°C to 32°C.
Climate zone T = designed to operate in ambient temperature of +18°C to 43°C.

Data valid in this table as of October 2023. Subject to modification without prior notice.



Single door fridges and freezers

iQ500 KI81RADE0G

Single door fridge
177cm high



Built-in single door fridges and freezer specifications

APPLIANCE TYPE	FRIDGE 177CM
Design family	iQ500
Model number	KI81RADE0G
DESIGN FEATURES	
Fridge / Freezer split	-
noFrost	-
lowFrost or Manual defrost	-
softClose hinge	■
Type of hinge (reversible)	Fixed hinge
Home Connect	-
FOOD FRESHNESS SYSTEM	
hyperFresh	1 hyperFresh Plus vegetable drawer with telescopic rails, 1 vegetable drawer with telescopic rails
KEY FEATURES – FRIDGE SECTION	
Compressor drive motor	-
Light	LED
superCool function	■
Type of control	Electronic
Number of shelves	7
Number of adjustable shelves	6
Number of door bins / shelves	7
Type of shelves	Safety glass
Temperature display	Digital x 7 segment
Warning signal door open	■
Defrost system in fridge	Automatic
Bottle shelves in fridge	1 bottle support grid
KEY FEATURES – FREEZER SECTION	
Light in freezer	-
Warning signal door open	-
superFreeze function	-
Temperature adjustable in freezer	-
Number of ice cube trays	-
Number of freezing flaps	-
Number of freezer drawers	-
ADDITIONAL INFORMATION	
Energy efficiency class	A+G
Energy consumption annual ¹ (kWh)	115
Total net capacity including near 0°C drawers (litres)	319
Refrigerator net capacity 0°C (litres)	319
Freezer net capacity (litres)	-
Climate class ²	SN-ST
Noise level (dB [A] re 1pW)	37
Noise emission class	C
Additional accessories included	3 x egg trays
Height of product (mm)	1772
Width of product (mm)	558
Depth of product (mm)	545

■ Yes, model has this feature. – Feature not available for this model.

¹ Actual energy consumption will depend on how the appliance is used and where it is located.

² Climate zone SN = designed to operate in ambient temperature of +10°C to 32°C.

Climate zone T = designed to operate in ambient temperature of +18°C to 43°C.

Data valid in this table as of October 2023. Subject to modification without prior notice.



Built-in single door fridges and freezer specifications

APPLIANCE TYPE	FRIDGES 177CM		FRIDGE WITH FREEZER SECTION 177CM
Design family	iQ500	iQ300	iQ500
Model number	KI81RAFE0G	KI81RVSF0G	KI82LAFF0
DESIGN FEATURES			
Fridge / Freezer split	-	-	-
noFrost	-	-	-
lowFrost or Manual defrost	-	-	-
softClose hinge	-	-	-
Type of hinge (reversible)	Fixed hinge	Sliding hinge	Fixed hinge
Home Connect	-	-	-
FOOD FRESHNESS SYSTEM			
hyperFresh	1 hyperFresh Plus vegetable drawer with telescopic rails, 1 vegetable drawer with telescopic rails	2 vegetable drawers	1 hyperFresh Plus vegetable drawer with telescopic rails, 1 vegetable drawer with telescopic rails
KEY FEATURES – FRIDGE SECTION			
Compressor drive motor	-	-	-
Light	LED	LED	LED
superCool function	■	■	■
Type of control	Electronic	Electronic	Electronic
Number of shelves	7	7	5
Number of adjustable shelves	6	6	4
Number of door bins / shelves	7	6	5
Type of shelves	Safety glass	Safety glass	Safety glass
Temperature display	Digital x 7 segment	1 x LED chain	Digital x 7 segment
Warning signal door open	■	-	■
Defrost system in fridge	Automatic	Automatic	Automatic
Bottle shelves in fridge	1 bottle support grid	-	-
KEY FEATURES – FREEZER SECTION			
Light in freezer	-	-	-
Warning signal door open	-	-	-
superFreeze function	-	-	-
Temperature adjustable in freezer	-	-	-
Number of ice cube trays	-	-	-
Number of freezing flaps	-	-	-
Number of freezer drawers	-	-	-
ADDITIONAL INFORMATION			
Energy efficiency class	A+G	A+G	A+G
Energy consumption annual ¹ (kWh)	115	144	222
Total net capacity including near 0°C drawers (litres)	319	319	286
Refrigerator net capacity 0°C (litres)	319	319	252
Freezer net capacity (litres)	-	-	-
Climate class ²	SN-T	SN-T	SN-ST
Noise level (dB [A] re 1pW)	37	37	36
Noise emission class	C	C	C
Additional accessories included	2 x egg trays	2 x egg trays	2 x egg trays, 1 x ice cube tray
Height of product (mm)	1772	1772	1772
Width of product (mm)	558	541	558
Depth of product (mm)	545	545	545

■ Yes, model has this feature. – Feature not available for this model.

¹ Actual energy consumption will depend on how the appliance is used and where it is located.

² Climate zone SN = designed to operate in ambient temperature of +10°C to 32°C.

Climate zone T = designed to operate in ambient temperature of +18°C to 43°C.

Data valid in this table as of October 2023. Subject to modification without prior notice.





Built-in single door fridges and freezer specifications

APPLIANCE TYPE	FREEZERS 177CM		
Design family	iQ700	iQ300	iQ500
Model number	GI81NHCEOG	GI81NVEEOG	GI81NAEFOG
		From December 2023	Discontinues December 2023
DESIGN FEATURES			
Fridge / Freezer split	-	-	-
noFrost	■	■	■
lowFrost or Manual defrost	-	-	-
softClose hinge	■	-	-
Type of hinge (reversible)	Fixed hinge	Fixed hinge	Fixed hinge
Home Connect	■	-	-
FOOD FRESHNESS SYSTEM			
hyperFresh	-	-	-
KEY FEATURES – FRIDGE SECTION			
Compressor drive motor	-	-	-
Light	-	-	-
superCool function	-	-	-
Type of control	-	-	-
Number of shelves	-	-	-
Number of adjustable shelves	-	-	-
Number of door bins / shelves	-	-	-
Type of shelves	-	-	-
Temperature display	-	-	-
Warning signal door open	-	-	-
Defrost system in fridge	-	-	-
Bottle shelves in fridge	-	-	-
KEY FEATURES – FREEZER SECTION			
Light in freezer	-	-	-
Warning signal door open	■	■	■
superFreeze function	■	■	■
Temperature adjustable in freezer	■	■	■
Number of ice cube trays	2	1	1
Number of freezing flaps	2	2	2
Number of freezer drawers	5	5	5
ADDITIONAL INFORMATION			
Energy efficiency class			
Energy consumption annual ¹ (kWh)	235	235	294
Total net capacity including near 0° drawers (litres)	212	212	212
Refrigerator net capacity 0°C (litres)	-	-	-
Freezer net capacity (litres)	212	212	212
Climate class ²	SN-T	SN-T	SN-T
Noise level (dB [A] re 1pW)	35	35	36
Noise emission class	B	B	C
Additional accessories included	1 x ice cube tray	1 x ice cube tray	1 x ice cube tray
Height of product (mm)	1772	1772	1772
Width of product (mm)	558	558	558
Depth of product (mm)	545	545	545

■ Yes, model has this feature. – Feature not available for this model.

¹ Actual energy consumption will depend on how the appliance is used and where it is located.

² Climate zone SN = designed to operate in ambient temperature of +10°C to 32°C.

Climate zone T = designed to operate in ambient temperature of +18°C to 43°C.

Data valid in this table as of October 2023. Subject to modification without prior notice.



Built-in single door fridges and freezer specifications

APPLIANCE TYPE	FRIDGE 122CM	FRIDGES 87CM	
Design family	iQ100	iQ300	iQ100
Model number	KI41R2FE1	KI21RVFEO	KI21RNSEO
Availability			
DESIGN FEATURES			
Fridge / Freezer split	-	-	-
noFrost	-	-	-
lowFrost or Manual defrost	-	-	-
softClose hinge	-	-	-
Type of hinge (reversible)	Fixed hinge	Flat hinge	Sliding hinge
Home Connect	-	-	-
FOOD FRESHNESS SYSTEM			
hyperFresh	1 x Fresh box	-	-
KEY FEATURES – FRIDGE SECTION			
Compressor drive motor	-	-	-
Light	LED	LED	LED
superCool function	■	■	■
Type of control	Electronic	Electronic	Electronic
Number of shelves	5	3	4
Number of adjustable shelves	4	2	3
Number of door bins / shelves	4	2	3
Type of shelves	Safety glass	Safety glass	Safety glass
Temperature display	Digital x 7 segment	Digital x 7 segment	Digital x 7 segment
Warning signal door open	■	■	■
Defrost system in fridge	Automatic	■	■
Bottle shelves in fridge	-	-	-
KEY FEATURES – FREEZER SECTION			
Light in freezer	-	-	-
Warning signal door open	-	-	-
superFreeze function	-	-	-
Temperature adjustable in freezer	-	-	-
Number of ice cube trays	-	-	-
Number of freezing flaps	-	-	-
Number of freezer drawers	-	-	-
ADDITIONAL INFORMATION			
Energy efficiency class			
Energy consumption annual ¹ (kWh)	101	92	92
Total net capacity including near 0° drawers (litres)	204	136	136
Refrigerator net capacity 0°C (litres)	204	136	136
Freezer net capacity (litres)	-	-	-
Climate class ²	SN-ST	SN-T	SN-T
Noise level (dB [A] re 1pW)	35	35	35
Noise emission class	B	B	B
Additional accessories included	3 x egg tray, 1 x bottle holder	3 x egg trays	3 x egg trays
Height of product (mm)	1221	874	874
Width of product (mm)	541	541	541
Depth of product (mm)	545	548	548

■ Yes, model has this feature. – Feature not available for this model.

¹ Actual energy consumption will depend on how the appliance is used and where it is located.

² Climate zone SN = designed to operate in ambient temperature of +10°C to 32°C.

Climate zone T = designed to operate in ambient temperature of +18°C to 43°C.

Data valid in this table as of October 2023. Subject to modification without prior notice.

Built-in single door fridges and freezer specifications



APPLIANCE TYPE	FREEZER 87CM	BUILT-UNDER FRIDGES WITH ICE BOX 82CM	
Design family	IQ500	IQ500	IQ500
Model number	GI21VAFE0	KU22LVFD0G	KU15LAFF0G
Availability		From December 2023	Discontinues December 2023
DESIGN FEATURES			
Fridge / Freezer split	-	-	-
noFrost	-	-	-
lowFrost or Manual defrost	■	-	-
softClose hinge	-	-	-
Type of hinge (reversible)	Fixed hinge	Fixed hinge	Fixed hinge
Home Connect	-	■	-
FOOD FRESHNESS SYSTEM			
hyperFresh	-	2 vegetable drawers	2 vegetable drawers
KEY FEATURES – FRIDGE SECTION			
Compressor drive motor	-	-	-
Light	-	LED	1 x 25 watt
superCool function	-	■	-
Type of control	-	Electronic	none (mechanical)
Number of shelves	-	2	2
Number of adjustable shelves	-	1	1
Number of door bins / shelves	-	3	3
Type of shelves	-	Safety glass	Safety glass
Temperature display	-	Digital x 7 segment	-
Warning signal door open	-	■	-
Defrost system in fridge	-	Automatic	Automatic
Bottle shelves in fridge	-	-	-
KEY FEATURES – FREEZER SECTION			
Light in freezer	-	-	-
Warning signal door open	■	-	-
superFreeze function	■	-	-
Temperature adjustable in freezer	■	-	-
Number of ice cube trays	1	1	1
Number of freezing flaps	-	-	-
Number of freezer drawers	3	1 x flap to freezer	1 x flap to freezer
ADDITIONAL INFORMATION			
Energy efficiency class	A G E	A G D	A G F
Energy consumption annual ¹ (kWh)	176	119	180
Total net capacity including near 0°C drawers (litres)	96	110	123
Refrigerator net capacity 0°C (litres)	-	93	108
Freezer net capacity (litres)	96	17	15
Climate class ²	SN-T	SN-T	SN-ST
Noise level (dB [A] re 1pW)	36	35	38
Noise emission class	C	B	C
Additional accessories included	1 x ice cube tray	1 x egg tray	1 x egg tray, 1 x ice cube tray
Height of product (mm)	874	820	820
Width of product (mm)	558	598	598
Depth of product (mm)	545	548	548

■ Yes, model has this feature. – Feature not available for this model.

¹ Actual energy consumption will depend on how the appliance is used and where it is located.

² Climate zone SN = designed to operate in ambient temperature of +10°C to 32°C.

Climate zone T = designed to operate in ambient temperature of +18°C to 43°C.

Data valid in this table as of October 2023. Subject to modification without prior notice.

Built-under single door fridges and freezer specifications



APPLIANCE TYPE	BUILT-UNDER FRIDGES 82CM		BUILT-UNDER FREEZERS 82CM	FREEZER 72CM
Design family	IQ500	IQ500	IQ500	IQ500
Model number	KU21RVFE0G	KU15RAFF0G	GU21NVFE0G	GI11VAFE0
Availability	From December 2023	Discontinues December 2023		
DESIGN FEATURES				
Fridge / Freezer split	-	-	-	-
noFrost	-	-	■	-
lowFrost or Manual defrost	-	-	-	■
softClose hinge	-	-	-	-
Type of hinge (reversible)	Fixed hinge	Fixed hinge	Fixed hinge	Fixed hinge
Home Connect	■	-	-	-
FOOD FRESHNESS SYSTEM				
hyperFresh	2 vegetable drawers	2 vegetable drawers	-	-
KEY FEATURES – FRIDGE SECTION				
Compressor drive motor	-	-	-	-
Light	LED	1 x 25 watt	-	-
superCool function	■	-	-	-
Type of control	Electronic	none (mechanical)	-	-
Number of shelves	3	3	-	-
Number of adjustable shelves	3	3	-	-
Number of door bins / shelves	3	3	-	-
Type of shelves	Safety glass	Safety glass	-	-
Temperature display	-	-	-	-
Warning signal door open	■	-	-	-
Defrost system in fridge	Automatic	Automatic	-	-
Bottle shelves in fridge	-	-	-	-
KEY FEATURES – FREEZER SECTION				
Light in freezer	-	-	LED	-
Warning signal door open	-	-	■	■
superFreeze function	-	-	■	■
Temperature adjustable in freezer	-	-	Dial temperature control	■
Number of ice cube trays	-	-	1	1
Number of freezing flaps	-	-	-	-
Number of freezer drawers	-	-	3	3
ADDITIONAL INFORMATION				
Energy efficiency class	A G E	A G F	A G E	A G E
Energy consumption annual ¹ (kWh)	93	114	189	167
Total net capacity including near 0°C drawers (litres)	134	137	85	72
Refrigerator net capacity 0°C (litres)	134	137	-	-
Freezer net capacity (litres)	-	-	85	72
Climate class ²	SN-T	SN-ST	SN-ST	SN-T
Noise level (dB [A] re 1pW)	35	38	35	36
Noise emission class	B	C	B	C
Additional accessories included	1 x egg tray	1 x egg tray	1 x ice cube tray	1 x ice cube tray
Height of product (mm)	820	820	820	712
Width of product (mm)	598	598	598	558
Depth of product (mm)	548	548	548	545

■ Yes, model has this feature. – Feature not available for this model.

¹ Actual energy consumption will depend on how the appliance is used and where it is located.

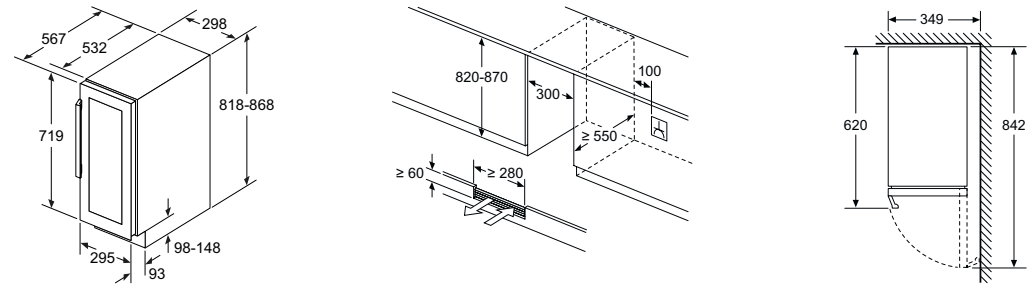
² Climate zone SN = designed to operate in ambient temperature of +10°C to 32°C.

Climate zone T = designed to operate in ambient temperature of +18°C to 43°C.

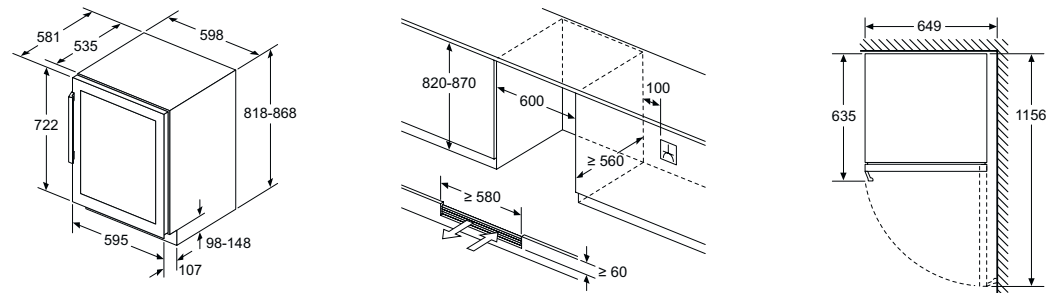
Data valid in this table as of October 2023. Subject to modification without prior notice.

Cooling technical diagrams

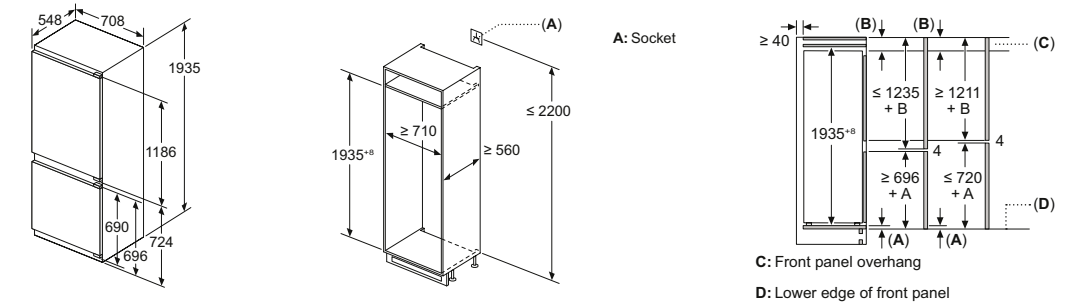
Wine cabinet KU20WVHF0G



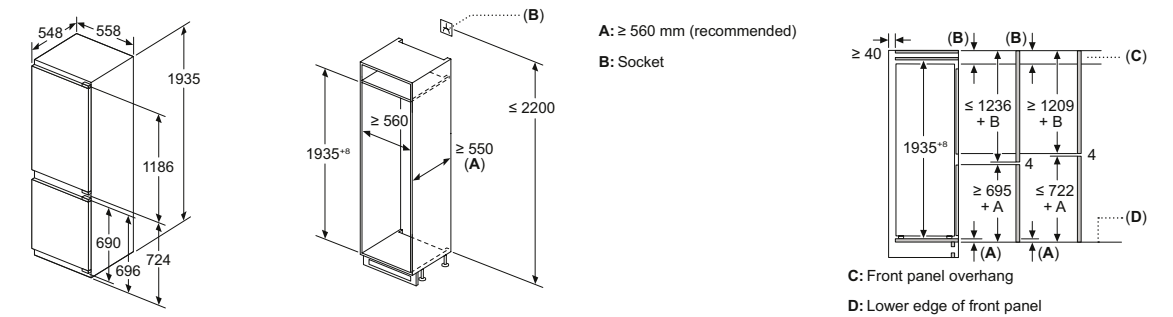
Wine cabinet KU21WAHG0G



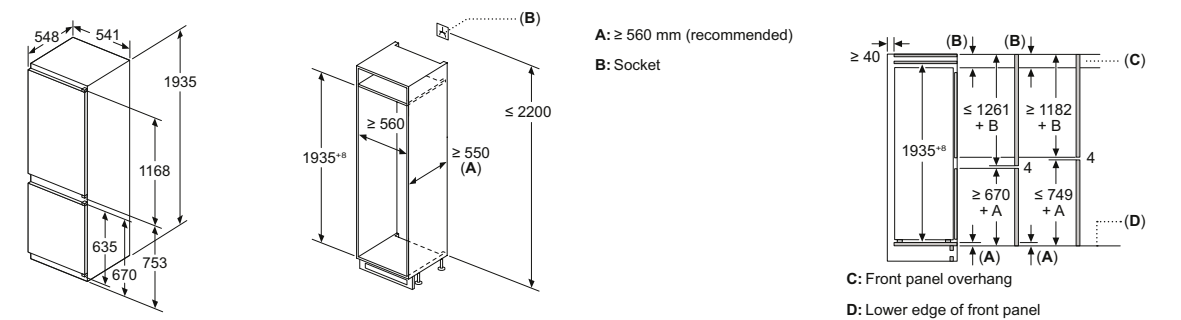
noFrost XXL bottom fridge freezer KB96NADD0G



noFrost XL bottom fridge freezer KI96NVFD0

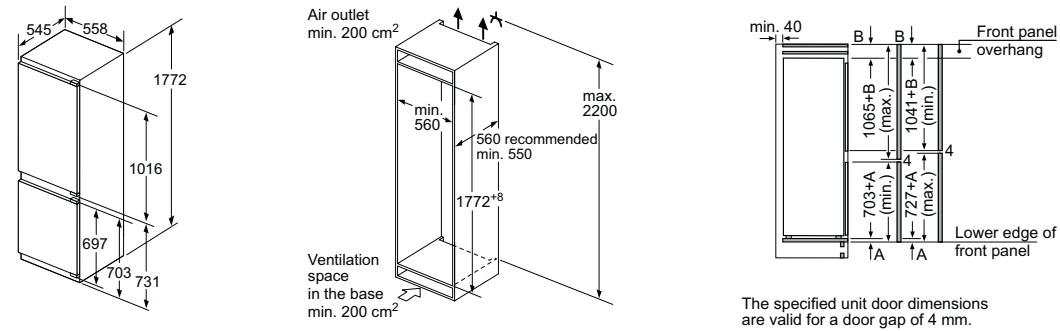


noFrost XL bottom fridge freezer KI96NNSE0

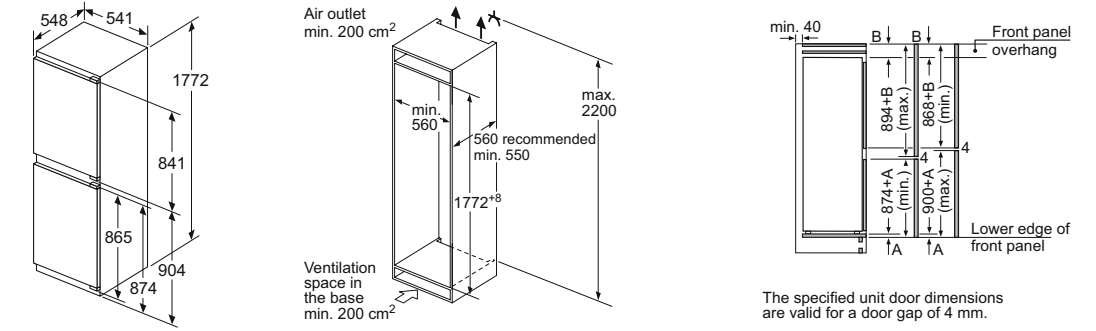


Cooling technical diagrams

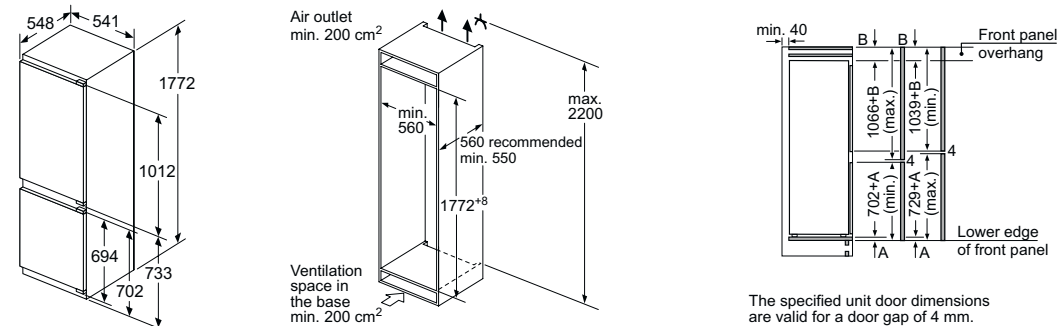
noFrost bottom fridge freezer KI86NADD0



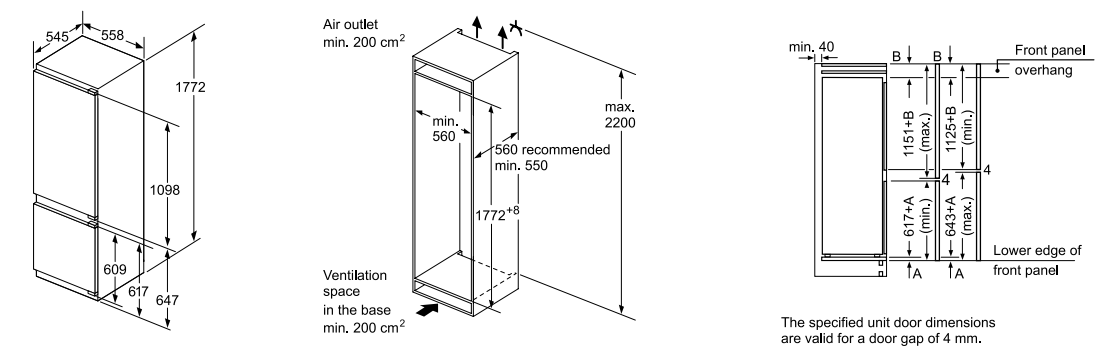
noFrost bottom fridge freezers KI85NNFF0G



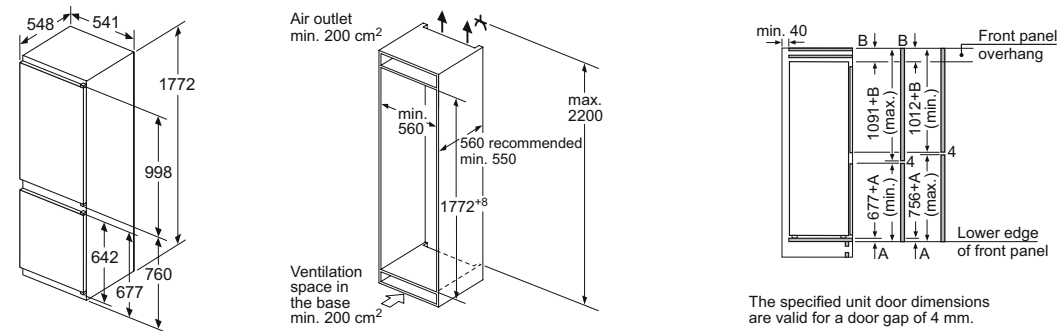
noFrost bottom fridge freezers KI86NHFE0 and KI86NVFE0G



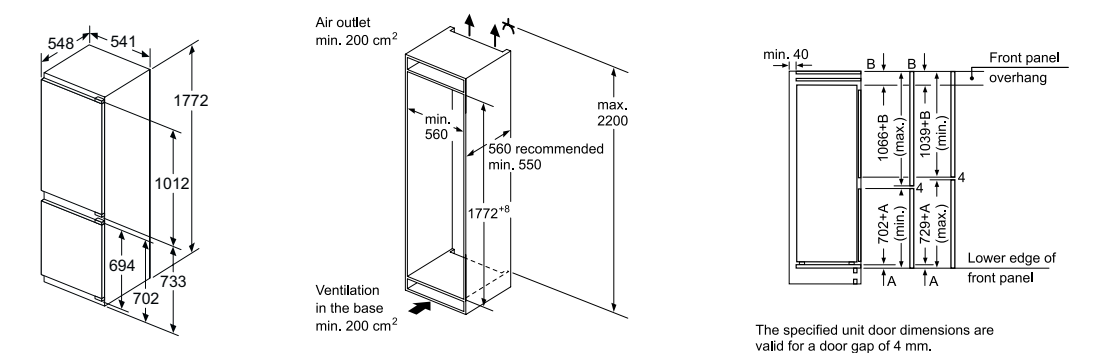
lowFrost bottom fridge freezer KI87SAFE0G



noFrost bottom fridge freezers KI86NVSE0G

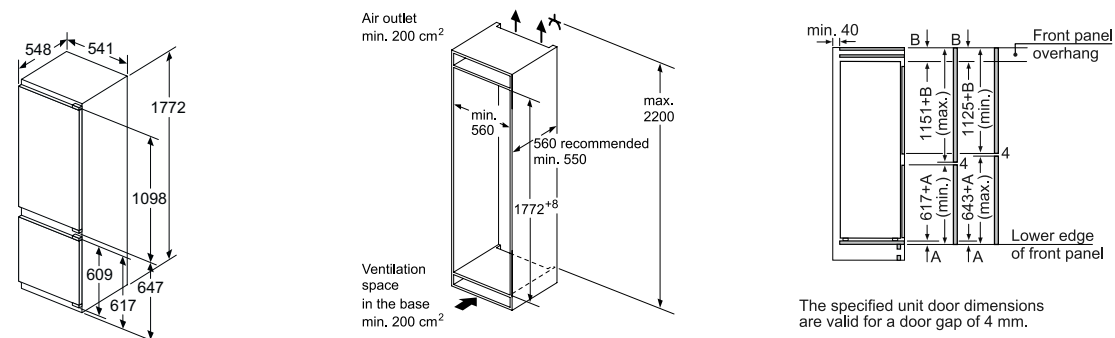


lowFrost bottom fridge freezer KI86VVE0G

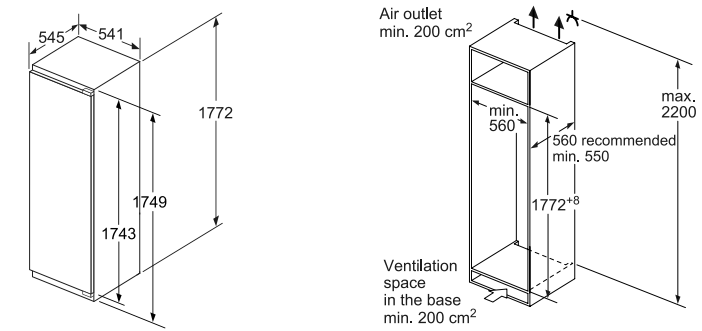


Cooling technical diagrams

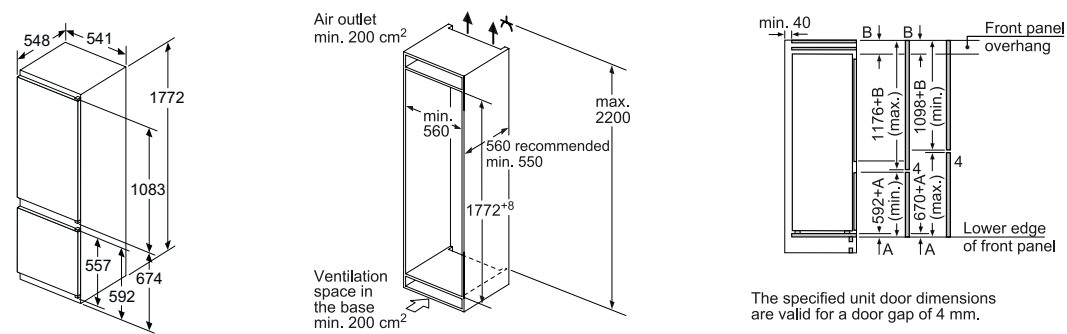
lowFrost bottom fridge freezers KI87VVF0G



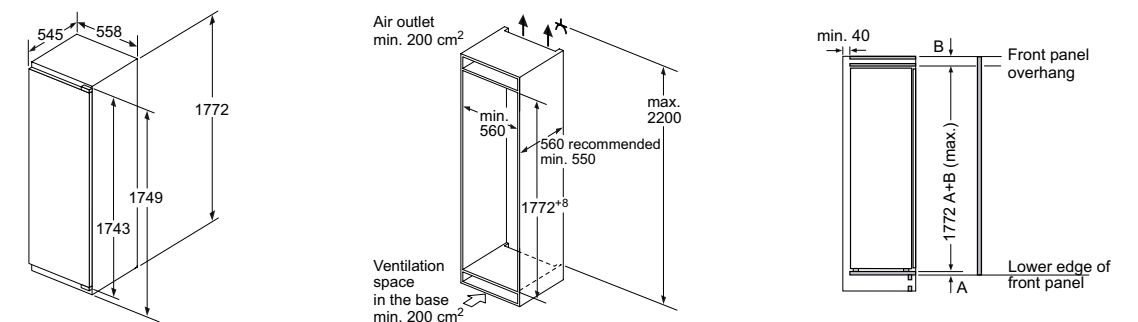
177cm fridge KI81RVSF0G



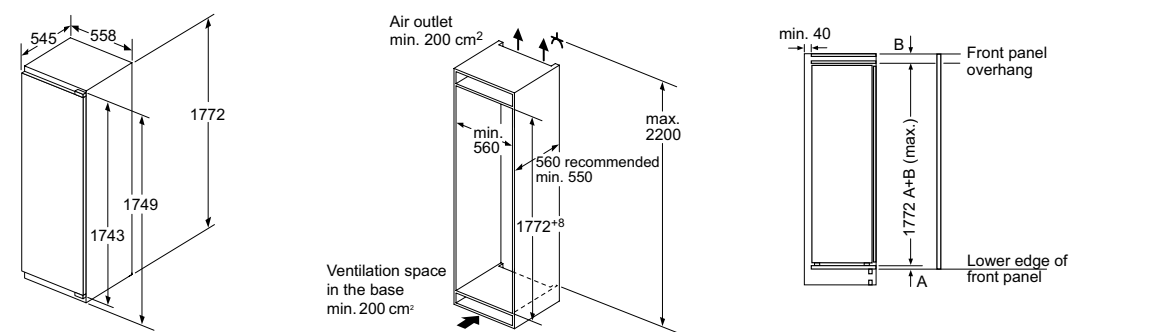
lowFrost bottom fridge freezers KI87VVSE0G and KI87VNSE0G



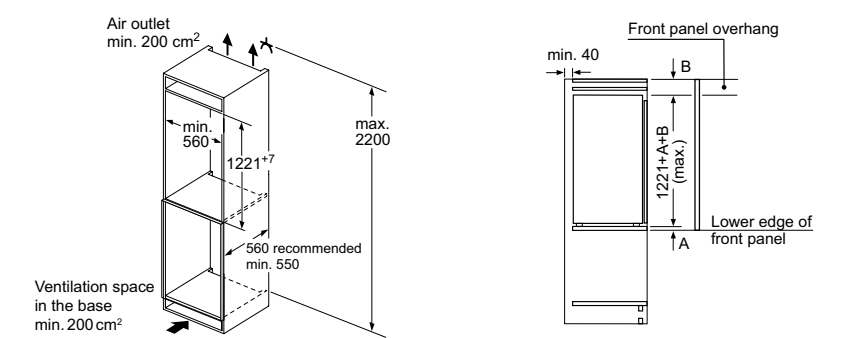
177cm freezers GI81NHCE0G, GI81NVEE0G and GI81NAEF0G



177cm fridges KI81RADE0G, KI81RAFE0G and KI82LAFF0

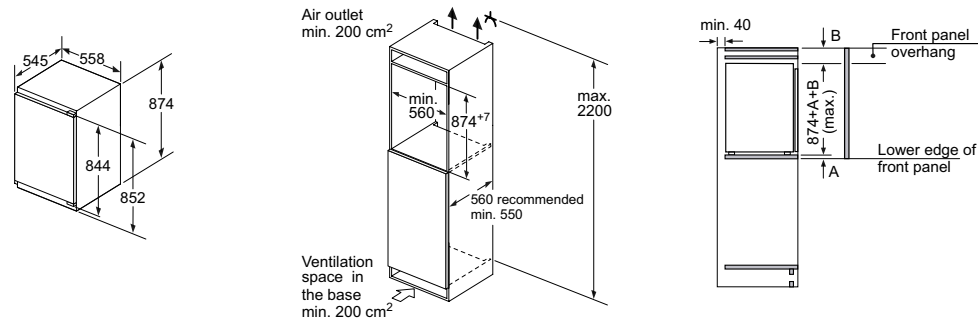


122cm fridge KI41R2FE1

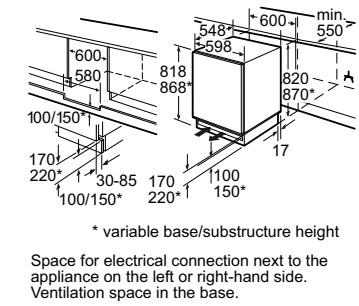


Cooling technical diagrams

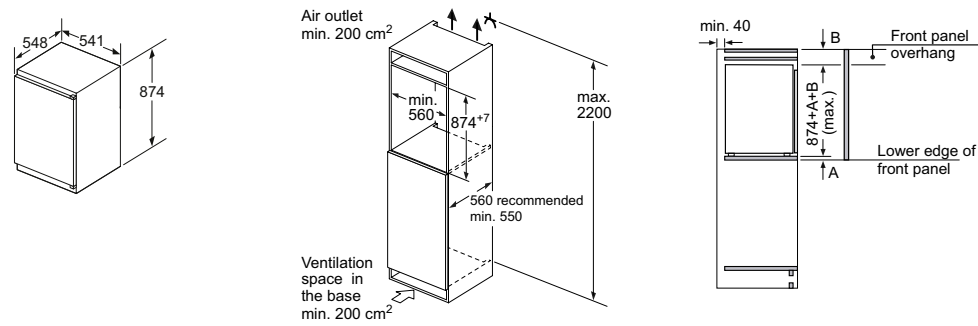
87cm fridge and freezer KI21RVFE0 and GI21VAFE0



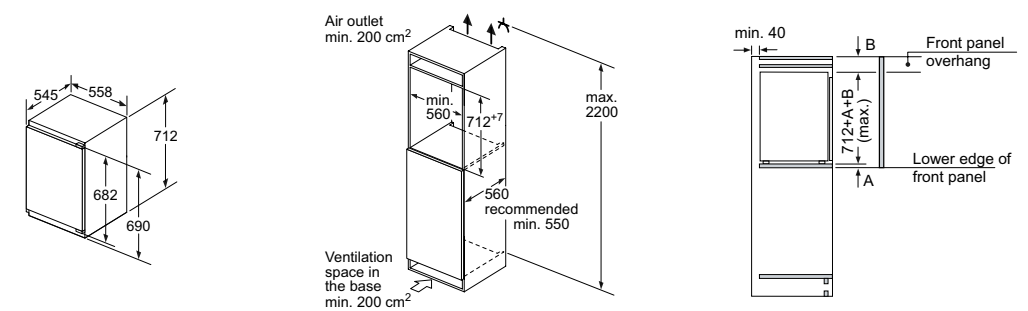
82cm built-under fridge and freezer KU15LAFF0G and KU15RAFF0G



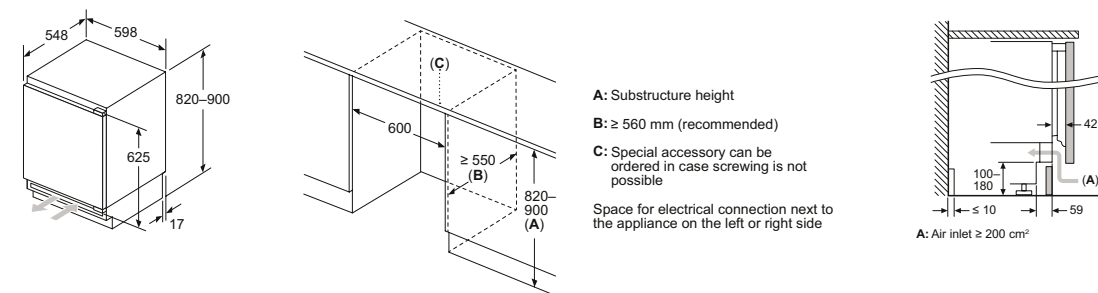
87cm fridge KI21RNSE0



72cm freezer GI11VAFE0



82cm built-under fridges and freezer KU22LVFD0G, KU21RVFE0G and GU21NVFE0G



Cooling. Super efficient, super stylish

Elegant, functional and packed with technology, your new Siemens freestanding fridge freezer is going to become a talking point in your kitchen.

Whether you want an American Style fridge freezer that has wow-factor, a side by side fridge and freezer for extra space, or a single appliance, Siemens has a wide range of products to choose from. Our energy efficient appliances are packed with food preservation technology.



Model shown: KF96RSBEA
Multi Door / American style fridge freezer

Freestanding
Cooling

Siemens freestanding cooling warranties:

5
Year Warranty

A Siemens five year warranty is available on the Multi Door / American Style fridge freezer and all Siemens freestanding American Style fridge freezers listed in this brochure to protect against manufacturing or material faults and defects during this warranty period.

2
Year Warranty

2 Year Warranty
All other Siemens cooling appliances have a two year manufacturer's warranty as standard to protect against manufacturing or material faults.

Compressor Drive
10
Year Warranty

10 Year Compressor Drive Warranty
Available on all Siemens freestanding fridge freezers, covers defects in compressor motor.

To find out more about your warranty and for registration, please visit:
[siemens-home.bsh-group.com/uk/customer-service/siemens-warranties](https://www.siemens-home.bsh-group.com/uk/customer-service/siemens-warranties)

Keep your food fresher for longer:



hyperFresh technology

Set the right conditions to ensure your food stays fresher for longer: hyperFresh humidity drawers and near 0°C chiller drawers.



Freshness controlled: hyperFresh
Simply use the stylish control panel to adjust the humidity in the fridge. The hyperFresh drawer with a rippled base allows cool air to circulate around your fruit and vegetables easily. As a result, the quality and freshness of your food will be retained.



Shelf life maximised: hyperFresh Plus
The hyperFresh Plus drawer does not only store food, it provides the right conditions to keep them fresher for longer. Whether it is fruits or vegetables, increase shelf life and reduce food wastage. Simply switch between the 2 control settings, and the humidity will be adjusted for optimum storage of your food.



Food stays fresh for longer: hyperFresh Premium
Enjoy fresher food with hyperFresh Premium. With a choice of 3 humidity controls, simply select whether you want to store fruits, vegetables, or both. The hyperFresh Premium drawer will regulate how much humidity your food receives. Be in control; these innovative drawers help to keep in nutrients and minerals to create delicious meals and fewer trips to the supermarkets, saving you time, effort and money. hyperFresh Premium is available in selected Siemens single door fridges only.



hyperFresh near 0°C chiller drawers. Perfectly fresh for fish and meat:

hyperFresh and hyperFresh plus models: The two hyperFresh near 0°C chiller drawers are especially designed for the storage needs of fish and meat. Keep them fresher in ideal conditions near 0°C to retain the vitamins and minerals for longer. With two separate compartments the transfer of unpleasant smells will be avoided.

hyperFresh Premium models: These variants come complete with a larger full-length near 0°C chiller drawer, where fish and meat are stored at the perfect temperature.



Technology that helps make life easier



With noFrost technology you will never have the job of defrosting the freezer again.



noFrost
Defrosting the freezer is now done automatically. Siemens freezers are equipped with intelligent sensor-controlled technology to save the hassle of defrosting the freezer. An air-circulation system guides the humidity to the outside of the refrigerator into an external evaporation tray, and sensors measure the degree of humidity and any frost production – ensuring the appliance is periodically defrosted without the need to turn off the appliance or empty it out. Also, ice no longer forms on the inside of the refrigerator, and the appliance's energy consumption remains consistently low.



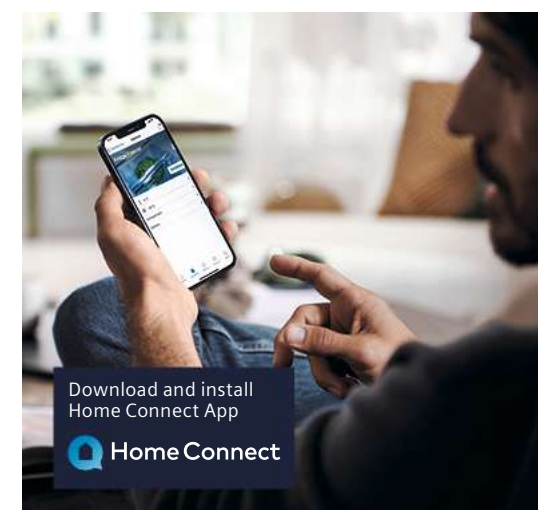
lowFrost
Thanks to the innovative lowFrost technology with the special evaporator, not only is there less icing that is more homogeneous, but also defrosting is much faster than in conventional systems. All lowFrost models have a water drainage system, to allow removal of all thawed water during the defrosting process.

Freezer storage made easy with bigBox.



Big enough for your lifestyle, the bigBox has the capacity for storing whole frozen turkeys, an entire leg of lamb, several pizzas, as well as the height to hold dessert glasses upright.

The bigBox gives you plenty of space to accommodate and stack everything. And when you need an even larger space, all the drawers and shelves can be easily removed from the freezer compartment, quickly putting the entire freezer space at your disposal. Ideal for the holidays and entertaining.



Stay connected in your kitchen, with Home Connect.

Smart fridges
Cooling appliances with Home Connect offer you the ability to flexibly control your appliances using your smart device, such as your smart phone or tablet. This means you can control your appliance out of home; for example adjusting the fridge temperature to cool down as you are on your way home from a food shop, or setting your fridge to holiday mode whilst at the airport. You can even set up push notifications to alert you if the door has accidentally been left open, or if the temperature has risen above a certain level.

For more information about Home Connect visit www.siemens-home.bsh-group.com/uk

Premium cooling options

for every size and style of kitchen

Choose your style and size.

When considering which freestanding appliance to purchase look at what height space you have available, consider the width, do you need more capacity, would you like more freezer space than fridge?

Height and width

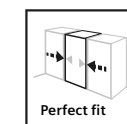
Siemens has many different sizes of cooling models to suit your needs from: 176cm-203cm high and between 60cm and 91cm in width.

French Style / Multi door	American Style	Fridge Freezers		Single Door Fridges	Single Door Freezers
183 x 81cm	178 x 91cm 179 x 91cm	203 x 70cm	186 x 60cm	186 x 60cm	186 x 60cm
		203 x 60cm	176 x 60cm	161 x 60cm	161 x 60cm
		201 x 60cm			



The perfect fit for your kitchen.

Some of the Siemens range for 2022 feature our Latest Condenser Technology (Perfect fit)* which means space around the appliance is not required for ventilation purposes, making these products perfect should they need to be fitted into tight spaces or form part of an overall sleek built-in look.



Perfect fit

Fully integrated on both sides of the appliance, models with latest condenser technology offer flexibility and convenience when positioning your fridge as no distance is needed between the wall or the furniture for ventilation, offering a Perfect fit solution.

This means it is easy to update your current cooling appliance with an efficient Siemens fridge freezer, single door fridge or single door freezer. For example, a 60cm refrigeration appliance will fit perfectly into that exact niche in your kitchen.

*Please check individual product descriptions and look for "Latest Condenser Technology (Perfect fit)" in the product matrix to see if this feature is included.

Tried and tested.

All Siemens fridges and freezers are built to last. And rigorous testing ensures that our products meet all the requirements of our customers. Every single one of our appliances is tested before it leaves the factory. For 24 hours a day, components are tested continuously to the maximum tolerance possible for the equivalent lifetime of the appliance.

Our doors are weighted and then opened and closed by the handle 200,000 times during testing to ensure they are robust (200,000 times is equivalent to opening and closing the door 27 times per day for 20 years). Materials are not only tested for suitability and longevity, we also look at how they sound and feel when we use them.

Fridge Freezer split options

Siemens freestanding fridge freezers are split into two separate compartments so you can choose what split proportions you need depending on your food usage.

Total Height: 176cm 50/50 door split	Total Height: 186cm 60/40 door split	Total Height: 201cm 70/30 door split	Total Height: 203cm 70/30 door split	Total Height: 203cm 70/30 door split
193L	237L	248L	279L	330L
94L	87L	94L	87L	105L
KG33	KG36	KG39	KG39	KG49



Model shown: KG39NXXDFG



Create the perfect pair.

For extra internal space pair a Siemens upright fridge alongside a Siemens upright freezer, like the iQ300 K536VAXEP (fridge) and the iQ500 GS36NVIEV (freezer) shown, to re-create the style of an American fridge freezer with our easy access shelving zone.

To complete this look you will need to purchase a joining strip to secure the two appliances. This can be bought through our website or through a retailer.

The joining strip product code is:

KS39ZAL00 – Stainless Steel Easy Clean

Models shown:



Cooling key features

Colour finish options.

Choose from a selection of colour finishes for your Siemens cooling appliances. There is an option to suit every kitchen:



Black Glass (dot pattern) **Black glass** **Metallic silver** **Stainless steel antiFingerprint** **Black steel antiFingerprint** **White**

Handle options.

Depending on your preference, choose from stylish quality bar handles or handles that are integrated into the appliance for a more seamless look.



Integrated Vertical **Vertical Bar Handle (Long)** **Vertical Bar Handle (Short)**

Temperature displays.

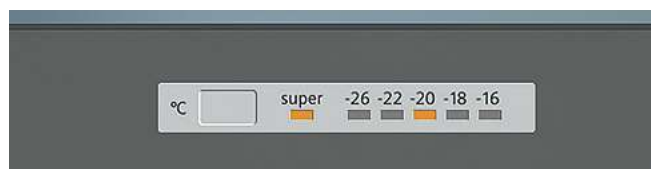
Whether you are looking for a cooling appliance with a large front display, or would prefer the controls to be hidden on the inside of the appliance, our Siemens cooling range varies from large digital screens visible on the front door of the appliance to internal LED controls.



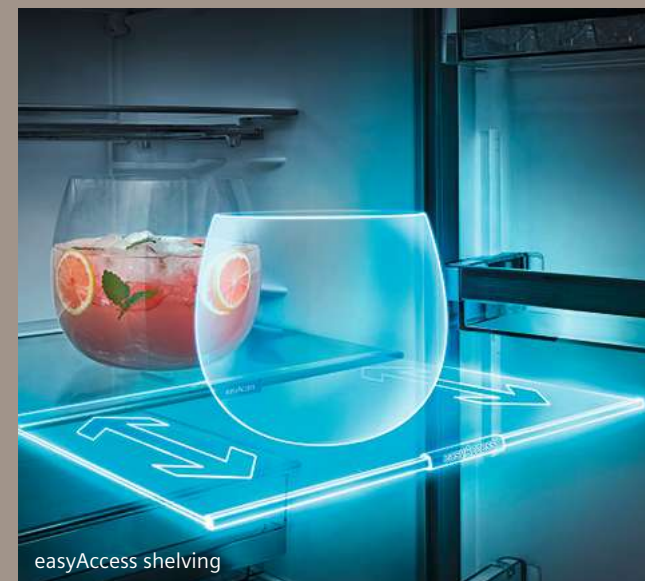
Exterior Electronic Display



Interior Digital LED Display (iQ300)



Interior Electronic LED Display



easyAccess shelving



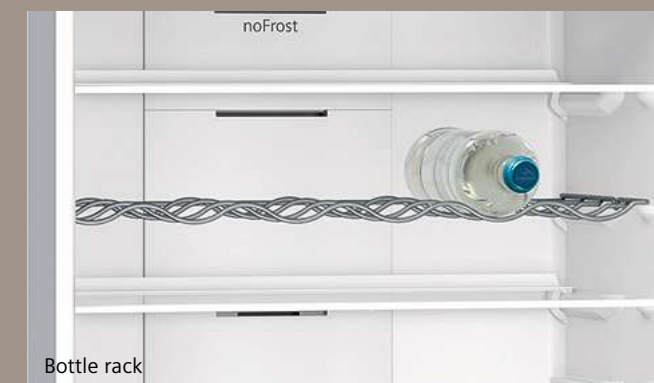
easyLift door trays



LED Illumination



autoAirflow system



Bottle rack



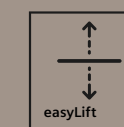
easyAccess shelving zone – single door freezers
Creates additional space whilst delivering the design of an American fridge freezer interior compartment.



LED Illumination
Integrated seamlessly into the top or the side walls of our cooling appliances, LED lighting is very efficient and gives maximum illumination of your fridge and freezer.



autoAirflow system
This system works with the electronics to optimise the air circulation within the fridge and freezer compartments to ensure even cooling throughout the appliance. This means however you organise your groceries it will cool them quickly no matter where they are placed. The back wall of the appliance has open vents which work with the cooling circuit to draw cold air into each compartment.



easyLift
Adjustable door trays and glass shelves that can be moved even when full for optimal convenience.



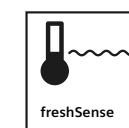
Bottle rack
Available on some models which is the perfect place to store wine of all varieties and make the best use of space in your fridge.

Experience intelligent cool



Model shown: KG39NXXDFG fridge freezer

Fresher food for longer with sensor controlled cool.



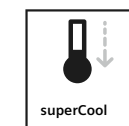
freshSense

Fresh food, guaranteed for longer. With conventional fridges, varying surrounding temperatures and the continuous opening of the refrigerator door lead to temperature changes inside the appliance. To ensure this does not affect your food, sensors immediately react. The freshSense sensors activate the moment a change in temperature is registered, for example when products are stored away, and compensates for this change in an instant. Therefore the temperature always remains within the optimum range, and your food stays fresh and delicious for longer.



Inverter motor

The intelligent inverter technology is a clever combination of the inverter motor and sensor. The sensors register every slight change in temperature or humidity inside the refrigerator, for example when the door is opened or warm food is stored. This information is then passed to the inverter motor, which adapts its need for energy accordingly. This means you can cool food intelligently and energy efficiently, and thanks to the high-quality inverter motor, incredibly quietly.



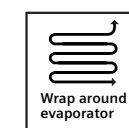
superCool

Ensures that warmer food entering the fridge does not increase the fridge temperature, which can affect other food.



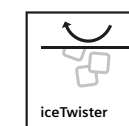
superFreeze

superFreeze makes sure that warmer food added to the freezer does not raise the freezer temperature, stopping food partially defrosting.



Wrap around evaporator

This new technology creates more space in the freezer cavity, allowing for more innovations like bigBox for large food items, plus removable glass drawers.



iceTwister

Enjoy your own personal ice cube service. Simply activate the iceTwister and receive up to 20 ice cubes at once right away. The water tank is very easy to remove for reliable refilling.

Explore more features that work around your lifestyle.



Shatterproof and easy to clean: the safetyGlass shelves

All safety glass shelves are made from extra strong, easy-to-clean safety glass. If something tips over, the spillage is contained and does not spill into the rest of the refrigerator compartment.



Holiday mode

When you are on holiday or a business trip, Holiday Mode will ensure that food in the freezer stays cold enough to maintain freshness whilst reducing its energy output. Our fridges also feature a warning alarm that signals when the door has been left open, ensuring that energy is not needlessly wasted and preserving the food inside.



Make a stylish statement in your kitchen.

Introducing the Multi Door / American Style fridge freezers.

From the premium double-width shelving to the sleek outer finishes – the Multi Door / American Style fridge freezers are designed to stand out in your kitchen. Behind the scenes, our cooling technologies such as multiAirFlow and fresh boxes provide the optimum temperatures to keep all your food and drink at their best while adjustable shelving and smart compartments make it easy to personalise your fridge space and keep your shopping organised. Also with noFrost technology, you will never have to defrost your freezer. With an external width of 91cm, this model is a great option if you are looking to replace or upgrade your standard American Style fridge freezer.

5
Year Warranty

5 Year Warranty

A Five year warranty is offered on all Multi Door / American Style fridge freezer appliances to cover manufacturing or material faults.

For more information please see page 263.



With premium oak shelving compartments and five different set temperatures for soft drinks, beer, champagne, white wine and red wine; the beverage drawer stores your drinks at the ideal temperature, always ready to enjoy.



iQ700 KF96RSBEA

Multi Door / American Style fridge freezer
Black glass door, cast iron sides



Multi Door / American Style fridge freezer specifications

APPLIANCE TYPE	FREESTANDING 90CM
Design family	iQ700
Model number	KF96RSBEA
DESIGN FEATURES	
Colour of door panels	Black glass
Style of handle	Integrated vertical handle
Colour of handle	–
noFrost in fridge and freezer	■
Home Connect, Wi-Fi dongle included	■ / –
FOOD FRESHNESS SYSTEM	
hyperFresh	1 x vegetable drawer
KEY FEATURES – FRIDGE SECTION	
Product highlights	LED
Compressor drive motor	■
superCool function	■
Type of control	Electronic
Number of shelves	5
Number of adjustable shelves	4
Shelves for bottles	–
Number of door bins / shelves	6
Temperature display	Digital LED
Warning signal door open	■
KEY FEATURES – FREEZER SECTION	
Door opened indicator	–
superFreeze function	■
Temperature adjustable in freezer	■
Number of ice cube trays	–
Ice dispenser features	–
Number of freezer drawers	3
ADDITIONAL INFORMATION	
Energy efficiency class	A
Energy consumption annual ¹ (kWh)	320
Total net capacity (litres)	572
Refrigerator net capacity (litres)	401
Freezer net capacity (litres)	171
Climate class ²	SN-T
Noise level (dB [A] re 1pW)	39
Noise emission class	C
Additional accessories included	3 x egg trays
Height of product (mm)	1830
Width of product (mm)	910
Depth of product (mm)	710

■ Yes, model has this feature. – Feature not available for this model.

¹ Actual energy consumption will depend on how the appliance is used and where it is located.

² Climate zone SN = designed to operate in ambient temperature of +10°C to 32°C.

Climate zone T = designed to operate in ambient temperature of +18°C to 43°C.

Data valid in this table as of October 2023. Subject to modification without prior notice.



Multi Door / American Style fridge freezer specifications

APPLIANCE TYPE	FREESTANDING 90CM
Design family	IQ 500
Model number	KF96NAXEAG
DESIGN FEATURES	
Colour of door panels	Black Inos antiFingerprint
Style of handle	Integrated vertical and horizontal handle
Colour of handle	Black steel
noFrost in fridge and freezer	■
Home Connect, Wi-Fi dongle included	■
FOOD FRESHNESS SYSTEM	
hyperFresh	2 x hyperFresh drawers
KEY FEATURES – FRIDGE SECTION	
Product highlights	LED
Compressor drive motor	■
superCool function	■
Type of control	Electronic
Number of shelves	4
Number of adjustable shelves	3
Shelves for bottles	–
Number of door bins / shelves	5
Temperature display	Digital 7 Segment
Warning signal door open	■
KEY FEATURES – FREEZER SECTION	
Door opened indicator	■
superFreeze function	■
Temperature adjustable in freezer	–
Number of ice cube trays	1
Ice dispenser features	–
Number of freezer drawers	6
ADDITIONAL INFORMATION	
Energy efficiency class	
Energy consumption annual ¹ (kWh)	333
Total net capacity (litres)	605
Refrigerator net capacity (litres)	405
Freezer net capacity (litres)	200
Climate class ²	SN-T
Noise level (dB [A] re 1pW)	38
Noise emission class	C
Additional accessories included	3 x egg trays
Height of product (mm)	1830
Width of product (mm)	910
Depth of product (mm)	731

■ Yes, model has this feature. – Feature not available for this model.

¹ Actual energy consumption will depend on how the appliance is used and where it is located.

² Climate zone SN = designed to operate in ambient temperature of +10°C to 32°C.

Climate zone T = designed to operate in ambient temperature of +18°C to 43°C.

Data valid in this table as of October 2023. Subject to modification without prior notice.

Multi Door / American Style fridge freezer specifications

APPLIANCE TYPE	FREESTANDING 90CM
Design family	IQ 300
Model number	KF96NVPEAG
DESIGN FEATURES	
Colour of door panels	Inox-easy clean
Style of handle	Integrated vertical and horizontal
Colour of handle	Black
noFrost in fridge and freezer	■
Home Connect, Wi-Fi dongle included	–
FOOD FRESHNESS SYSTEM	
hyperFresh	2 x hyperFresh drawers
KEY FEATURES – FRIDGE SECTION	
Product highlights	LED
Compressor drive motor	■
superCool function	■
Type of control	Electronic
Number of shelves	3
Number of adjustable shelves	2
Shelves for bottles	–
Number of door bins / shelves	5
Temperature display	Digital 7 Segment
Warning signal door open	■
KEY FEATURES – FREEZER SECTION	
Door opened indicator	–
superFreeze function	■
Temperature adjustable in freezer	■
Number of ice cube trays	1
Ice dispenser features	–
Number of freezer drawers	6
ADDITIONAL INFORMATION	
Energy efficiency class	
Energy consumption annual ¹ (kWh)	333
Total net capacity (litres)	605
Refrigerator net capacity (litres)	405
Freezer net capacity (litres)	200
Climate class ²	SN-T
Noise level (dB [A] re 1pW)	38
Noise emission class	C
Additional accessories included	3 x egg trays
Height of product (mm)	1830
Width of product (mm)	910
Depth of product (mm)	731

■ Yes, model has this feature. – Feature not available for this model.

¹ Actual energy consumption will depend on how the appliance is used and where it is located.

² Climate zone SN = designed to operate in ambient temperature of +10°C to 32°C.

Climate zone T = designed to operate in ambient temperature of +18°C to 43°C.

Data valid in this table as of October 2023. Subject to modification without prior notice.

Traditional American Style fridge freezers

iQ500 KA93DVIFPG

American Style fridge freezer
Black



Temperature Display: Exterior Digital



American Style fridge freezer specifications

APPLIANCE TYPE	FREESTANDING 90CM
Design family	iQ500
Model number	KA93DVIFPG
DESIGN FEATURES	
Colour of door panels	Stainless steel antiFingerprint
Style of handle	Vertical bar handle
Colour of handle	Stainless steel
noFrost in fridge and freezer	■
Home Connect, Wi-Fi dongle included	-
FOOD FRESHNESS SYSTEM	
hyperFresh	2 x vegetable drawers on rails
KEY FEATURES – FRIDGE SECTION	
Product highlights	LED
Compressor drive motor	■
superCool function	■
Type of control	Electronic
Number of shelves	5
Number of adjustable shelves	-
Shelves for bottles	-
Number of door bins / shelves	5
Temperature display	Digital
Warning signal door open	■
KEY FEATURES – FREEZER SECTION	
Door opened indicator	■
superFreeze function	■
Temperature adjustable in freezer	■
Number of ice cube trays	Automatic ice cube maker
Ice dispenser features	Crushed ice, ice cubes, water, water filter
Number of freezer drawers	2
ADDITIONAL INFORMATION	
Energy efficiency class	A+ F
Energy consumption annual ¹ (kWh)	404
Total net capacity (litres)	562
Refrigerator net capacity (litres)	371
Freezer net capacity (litres)	191
Climate class ²	SN-T
Noise level (dB [A] re 1pW)	42
Noise emission class	D
Additional accessories included	1 x connection hose, 1 x egg tray
Height of product (mm)	1787
Width of product (mm)	908
Depth of product (mm)	707

■ Yes, model has this feature. - Feature not available for this model.

¹ Actual energy consumption will depend on how the appliance is used and where it is located.

² Climate zone SN = designed to operate in ambient temperature of +10°C to 32°C.

Climate zone T = designed to operate in ambient temperature of +18°C to 43°C.

Data valid in this table as of October 2023. Subject to modification without prior notice.



Model shown:
KA93DVIFPG American Style fridge freezer



5 Year Warranty
A Five year warranty is offered on all American Style fridge freezer appliances to cover manufacturing or material faults.

For more information please see page 263.



American Style fridge freezer specifications

APPLIANCE TYPE	FREESTANDING 90CM
Design family	IQ500
Model number	KA931VIFPG
Availability	Discontinues December 2023
DESIGN FEATURES	
Colour of door panels	Stainless steel antiFingerprint
Style of handle	Vertical bar handle
Colour of handle	Stainless steel
noFrost in fridge and freezer	■
Home Connect, Wi-Fi dongle included	-
FOOD FRESHNESS SYSTEM	
hyperFresh	2 x vegetable drawers on rails
KEY FEATURES – FRIDGE SECTION	
Product highlights	LED
Compressor drive motor	■
superCool function	■
Type of control	Electronic
Number of shelves	5
Number of adjustable shelves	-
Shelves for bottles	-
Number of door bins / shelves	5
Temperature display	Digital
Warning signal door open	■
KEY FEATURES – FREEZER SECTION	
Door opened indicator	■
superFreeze function	■
Temperature adjustable in freezer	■
Number of ice cube trays	Automatic ice cube maker
Ice dispenser features	Crushed ice, ice cubes, water
Number of freezer drawers	2
ADDITIONAL INFORMATION	
Energy efficiency class	A G F
Energy consumption annual ¹ (kWh)	404
Total net capacity (litres)	562
Refrigerator net capacity (litres)	371
Freezer net capacity (litres)	191
Climate class ²	SN-T
Noise level (dB [A] re 1pW)	42
Noise emission class	D
Additional accessories included	1 x egg tray
Height of product (mm)	1787
Width of product (mm)	908
Depth of product (mm)	707

■ Yes, model has this feature. - Feature not available for this model.

¹Actual energy consumption will depend on how the appliance is used and where it is located.
²Climate zone SN = designed to operate in ambient temperature of +10°C to 32°C.
 Climate zone T = designed to operate in ambient temperature of +18°C to 43°C.

Data valid in this table as of October 2023. Subject to modification without prior notice.

American Style fridge freezer specifications

APPLIANCE TYPE	FREESTANDING 90CM
Design family	IQ300
Model number	KA93NVIFP
Availability	Discontinues December 2023
DESIGN FEATURES	
Colour of door panels	Stainless steel antiFingerprint
Style of handle	Vertical bar handle
Colour of handle	Stainless steel
noFrost in fridge and freezer	■
Home Connect, Wi-Fi dongle included	-
FOOD FRESHNESS SYSTEM	
hyperFresh	2 x vegetable drawers on rails
KEY FEATURES – FRIDGE SECTION	
Product highlights	LED
Compressor drive motor	■
superCool function	■
Type of control	Electronic
Number of shelves	5
Number of adjustable shelves	-
Shelves for bottles	-
Number of door bins / shelves	5
Temperature display	Digital
Warning signal door open	■
KEY FEATURES – FREEZER SECTION	
Door opened indicator	■
superFreeze function	■
Temperature adjustable in freezer	■
Number of ice cube trays	Twist ice box
Ice dispenser features	-
Number of freezer drawers	2
ADDITIONAL INFORMATION	
Energy efficiency class	A G F
Energy consumption annual ¹ (kWh)	413
Total net capacity (litres)	580
Refrigerator net capacity (litres)	372
Freezer net capacity (litres)	208
Climate class ²	SN-T
Noise level (dB [A] re 1pW)	42
Noise emission class	D
Additional accessories included	1 x egg tray
Height of product (mm)	1787
Width of product (mm)	908
Depth of product (mm)	707

■ Yes, model has this feature. - Feature not available for this model.

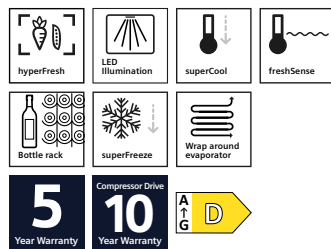
¹Actual energy consumption will depend on how the appliance is used and where it is located.
²Climate zone SN = designed to operate in ambient temperature of +10°C to 32°C.
 Climate zone T = designed to operate in ambient temperature of +18°C to 43°C.

Data valid in this table as of October 2023. Subject to modification without prior notice.

Freestanding fridge freezers

iQ300 KG49NXXDF

Freestanding fridge freezer
Black steel



Freestanding fridge freezer
noFrost specifications

APPLIANCE TYPE	FREESTANDING FRIDGE FREEZER NOFROST
Design family	iQ300
Model number	KG49NXXDF
Colour	Black steel
DESIGN FEATURES	
Fridge / Freezer split	70 / 30
Frost-free system	noFrost
Door handle type	Integrated handle vertical
Temperature display	Exterior / Electronic LED
Reversible door, hinged on right	■
Latest Condenser Technology (No distance)	■
Home Connect / Built-in cameras	-
FOOD FRESHNESS SYSTEM	
hyperFresh	1 x hyperFresh near 0°C drawer, 1 x hyperFresh vegetable drawer
KEY FEATURES – FRIDGE SECTION	
Compressor drive motor	■
LED light	■
superCool function	■
freshSense	■
Bottle rack	■
Number of glass safety shelves	5
Number of adjustable shelves	3
Number of door bins large / small (including easyLift)	1 / 3
Dairy compartment	-
Number of egg racks	3
KEY FEATURES – FREEZER SECTION	
Number of freezer drawers including bigBox	3
superFreeze function	■
Wrap around evaporator	■
Number of ice packs / ice cube trays	- / 1
FUNCTIONS	
Door open warning signal / malfunction	■
Holiday / Sabbath mode	■ / -
PERFORMANCE & CONSUMPTION	
Energy efficiency class	A+ D
Annual energy consumption ¹ (kWh)	223
Total unit net capacity (litres)	440
Refrigerator net capacity including near 0°C drawers (litres)	330
Refrigerator 0°C net capacity (litres)	311
Freezer net capacity (litres)	129
Climate Class ²	SN-T
Noise level (dB [A] re 1pW)	35
Noise emission class	B
Dimensions of the product: H x W x D (cm)	203 x 70 x 67

■ Yes, model has this feature. - Feature not available for this model.

¹ Actual energy consumption will depend on how the appliance is used and where it is located.
² Climate zone SN = designed to operate in ambient temperature of +10°C to 32°C.
Climate zone T = designed to operate in ambient temperature of +18°C to 43°C.

Data valid in this table as of October 2023. Subject to modification without prior notice.



Freestanding fridge freezer
noFrost specifications

APPLIANCE TYPE	FREESTANDING FRIDGE FREEZERS NOFROST		
Design family	iQ300	iQ500	iQ300
Model number	KG49N2IDF	KG39NXXDFG	KG39N7ICTG
Colour	Stainless steel easy clean, horizontal shiny finish, AFP	Black steel door, cast iron sides	Stainless steel easy clean, horizontal shiny finish, AFP
DESIGN FEATURES			
Fridge / Freezer split	70 / 30	70 / 30	70 / 30
Frost-free system	noFrost	noFrost	noFrost
Door handle type	Integrated handle vertical	Integrated handle vertical	Integrated handle vertical
Temperature display	Exterior Digital LED	Exterior Digital LED	Exterior Digital LED
Reversible door, hinged on right	■	■	■
Latest Condenser Technology (No distance)	■	■	■
Home Connect / Built-in cameras	-	-	-
FOOD FRESHNESS SYSTEM			
hyperFresh	1 x hyperFresh box with integrated humidity control	1 x hyperFresh box with integrated humidity control	1 x hyperFresh near 0°C drawer, 1 x hyperFresh vegetable drawer
KEY FEATURES – FRIDGE SECTION			
Compressor drive motor	■	■	■
LED light	■	■	■
superCool function	■	■	■
freshSense	-	-	-
Bottle rack	■	■	■
Number of glass safety shelves	5	5	5
Number of adjustable shelves	3	3	3
Number of door bins large / small (including easyLift)	1 / 3	1 / 3	1 / 3
Dairy compartment	■	■	■
Number of egg racks	3	3	3
KEY FEATURES – FREEZER SECTION			
Number of freezer drawers including bigBox	3	3	3
superFreeze function	-	-	■
Wrap around evaporator	-	-	■
Number of ice packs / ice cube trays	- / 1	- / 1	- / 1
FUNCTIONS			
Door open warning signal / malfunction	■	■	■
Holiday / Sabbath mode	■ / -	■ / -	■ / -
PERFORMANCE & CONSUMPTION			
Energy efficiency class	A+ D	A+ F	A+ C
Annual energy consumption ¹ (kWh)	203	203	162
Total unit net capacity (litres)	440	363	363
Refrigerator net capacity including near 0°C drawers (litres)	311	260	260
Refrigerator 0°C net capacity (litres)	24	24	24
Freezer net capacity (litres)	129	103	103
Climate Class ²	SN-T	SN-T	SN-T
Noise level (dB [A] re 1pW)	35	35	35
Noise emission class	B	B	B
Dimensions of the product: H x W x D (cm)	203 x 70 x 66.5	203 x 60 x 66.5	203 x 60 x 66.5

■ Yes, model has this feature. - Feature not available for this model.

¹ Actual energy consumption will depend on how the appliance is used and where it is located.
² Climate zone SN = designed to operate in ambient temperature of +10°C to 32°C.
Climate zone T = designed to operate in ambient temperature of +18°C to 43°C.

Data valid in this table as of October 2023. Subject to modification without prior notice.





Freestanding fridge freezer
noFrost specifications

FREESTANDING FRIDGE FREEZER LOWFROST		
APPLIANCE TYPE	IQ300	IQ300
Design family	KG36NXXDF	KG33VVEAG
Model number	KG36NXXDF	KG33VVEAG
Colour	Black steel door, cast iron sides	Stainless steel easy clean, horizontal shiny finish, AFP
Availability		
DESIGN FEATURES		
Fridge / Freezer split	60 / 40	50 / 50
Frost-free system	noFrost	lowFrost
Door handle type	Integrated vertical	Integrated vertical
Temperature display	Exterior / Electronic LED	Interior / Electronic LED
Reversible door, hinged on right	■	■
Latest Condenser Technology (No distance)	■	-
Home Connect / Built-in cameras	-	-
FOOD FRESHNESS SYSTEM		
hyperFresh	1 x hyperFresh near 0°C drawer, 1 x hyperFresh vegetable drawer	1 x hyperFresh vegetable drawer
KEY FEATURES – FRIDGE SECTION		
Compressor drive motor	■	■
LED light	■	■
superCool function	■	-
freshSense	■	■
Bottle rack	■	■
Number of glass safety shelves	4	4
Number of adjustable shelves	2	2
Number of door bins large / small (including easyLift)	1 / 2	1 / 2
Dairy compartment	-	-
Number of egg racks	3	3
KEY FEATURES – FREEZER SECTION		
Number of freezer drawers including bigBox	3	3
superFreeze function	■	■
Wrap around evaporator	■	■
Number of ice packs / ice cube trays	- / 1	- / -
FUNCTIONS		
Door open warning signal / malfunction	■	-
Holiday / Sabbath mode	- / -	- / -
PERFORMANCE & CONSUMPTION		
Energy efficiency class	A G D	A G E
Annual energy consumption ¹ (kWh)	191	228
Total unit net capacity (litres)	326	289
Refrigerator net capacity including near 0°C drawers (litres)	237	195
Refrigerator 0°C net capacity (litres)	24	-
Freezer net capacity (litres)	89	94
Climate Class ²	SN-T	SN-T
Noise level (dB [A] re 1pW)	36	39
Noise emission class	C	C
Dimensions of the product: H x W x D (cm)	186 x 60 x 66	176 x 60 x 65

■ Yes, model has this feature. - Feature not available for this model.

¹ Actual energy consumption will depend on how the appliance is used and where it is located.

² Climate zone SN = designed to operate in ambient temperature of +10°C to 32°C.

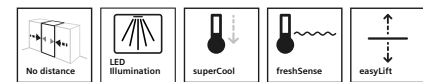
Climate zone T = designed to operate in ambient temperature of +18°C to 43°C.

Data valid in this table as of October 2023. Subject to modification without prior notice.

Upright single door fridge

iQ300 KS36VVEPG

Freestanding fridge
Stainless steel antiFingerprint



Freestanding upright single door
fridge specifications

APPLIANCE TYPE	UPRIGHT SINGLE DOOR FRIDGE
Design family	iQ300
Model number	KS36VVEPG
Colour	Stainless steel antiFingerprint
DESIGN FEATURES	
Colour of side panels	Chrome inox metallic
Door handle type	Vertical bar
Temperature display	Interior / Electronic LED
Reversible door, hinged on left	■
Latest Condenser Technology (No distance)	■
Home Connect / Built-in cameras	- / -
FOOD FRESHNESS SYSTEM	
hyperFresh	1 x hyperFresh vegetable drawer
KEY FEATURES – FRIDGE SECTION	
LED light	■
superCool function	■
freshSense	■
Bottle rack	■
Number of glass safety shelves	7
Number of adjustable shelves	5
Number of door bins large / small (including easyLift)	2 / 2
flexShelf	-
Dairy compartment	■
Number of egg racks	3
FUNCTIONS	
Door open warning signal/malfunction	■
Holiday / Sabbath mode	- / -
PERFORMANCE & CONSUMPTION	
Energy efficiency class	A++ E
Annual energy consumption ¹ (kWh)	116
Refrigerator net capacity including near 0°C drawers (litres)	346
Refrigerator 0°C net capacity (litres)	-
Climate Class ²	SN-T
Noise level (dB [A] re 1pW)	39
Noise emission class	C
Dimensions of the product: H x W x D (cm)	186 x 60 x 65
Matching Freezer	GS36NVFV
OPTIONAL ACCESSORIES FOR SINGLE DOOR FRIDGES AND FREEZERS	
203cm high joining strip for upright fridge, freezer and freestanding noFrost bottom freezers: Stainless Steel Easy clean, horizontal shiny finish AFP	KS39ZAL00

■ Yes, model has this feature. – Feature not available for this model.

¹ Actual energy consumption will depend on how the appliance is used and where it is located.

² Climate zone SN – designed to operate in ambient temperature of +10°C to 32°C.
Climate zone T – designed to operate in ambient temperature of +18°C to 43°C.

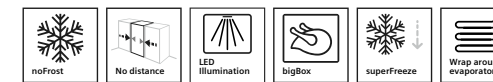
Data valid in this table as of October 2023. Subject to modification without prior notice.



Upright single door freezer

iQ300 GS36NVIEV

Freestanding freezer
Stainless steel antiFingerprint



Freestanding upright single door
freezer specifications

APPLIANCE TYPE	UPRIGHT SINGLE DOOR FREEZER
Design family	iQ300
Model number	GS36NVIEV
Colour	Stainless steel antiFingerprint
DESIGN FEATURES	
Frost-free system	noFrost
Colour of side panels	Chrome inox metallic
Door handle type	Vertical bar
Temperature display	Interior / Electronic LED
Reversible door, hinged on right	■
Latest Condenser Technology (No distance)	■
Home Connect / Built-in cameras	- / -
FOOD FRESHNESS SYSTEM	
multiAirflow system	■
LED light	-
Number of freezer compartments	7
Number of freezer drawers including bigBox	5
Number of freezer flaps / easyAccess shelves	2 / -
Number of glass safety shelves	6
superFreeze function	■
Twist Ice Box	-
Wrap around evaporator	■
Number of ice packs / ice cube trays	2 / 1
FUNCTIONS	
Door open warning signal / malfunction	■
Holiday / Sabbath mode	- / -
PERFORMANCE & CONSUMPTION	
Energy efficiency class	A++ E
Annual energy consumption ¹ (kWh)	234
Freezer net capacity (litres)	242
Climate Class ²	SN-T
Storage period in event of power failure (hours)	25
Noise level (dB [A] re 1pW)	39
Noise emission class	C
Dimensions of the product: H x W x D (cm)	186 x 60 x 65
Matching Fridge	KS36VVEPG
OPTIONAL ACCESSORIES FOR SINGLE DOOR FRIDGES AND FREEZERS	
203cm high joining strip for upright fridge, freezer and freestanding noFrost bottom freezers: Stainless Steel Easy clean, horizontal shiny finish AFP	KS39ZAL00

■ Yes, model has this feature. – Feature not available for this model.

¹ Actual energy consumption will depend on how the appliance is used and where it is located.

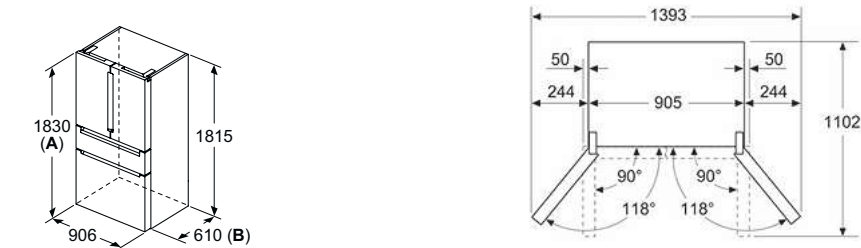
² Climate zone SN – designed to operate in ambient temperature of +10°C to 32°C.
Climate zone T – designed to operate in ambient temperature of +18°C to 43°C.

Data valid in this table as of October 2023. Subject to modification without prior notice.



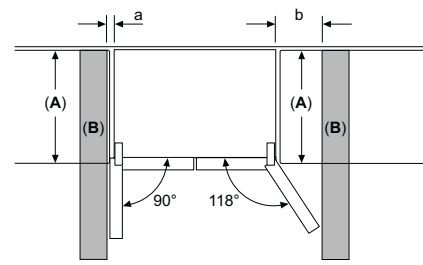
Cooling technical diagrams

Multi Door / American Style fridge freezer KF96RSBEA



A: Front is adjustable from 1830 to 1847 mm, with front levelling feet fully extended

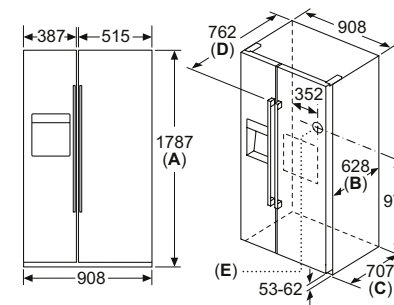
B: Add 25 mm for fixed spacers on back



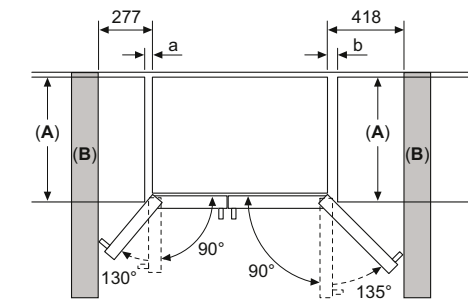
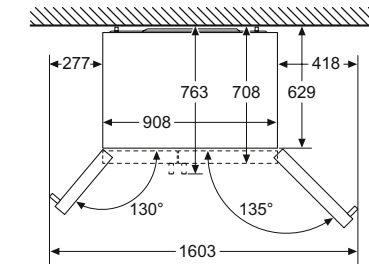
A	a	b
600	0	0
650	0	33
700	45	60
B	45	238

A: Unit depth
B: Wall

American Style fridge freezers KA93DVIFPG and KA93IVIFPG



Specifications	
A	Front is adjustable from 1783 to 1792
B	Cabinet depth
C	Depth incl. door, without handle
D	Depth incl. door, with handle
E	Water connection to the appliance



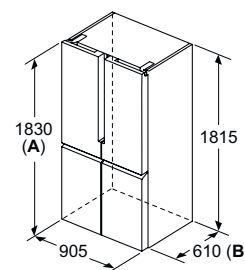
A	a	b
≤ 600	50	50
600 < A ≤ 650	50	50
650 < A ≤ 700	53	96
> 700	277	418

A: Kitchen cabinet or worktop depth

B: Wall
Drawers can be pulled out with door open to 90°

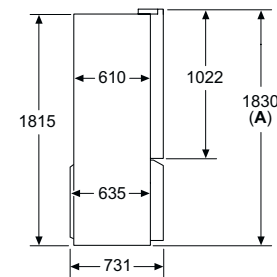
Drawers can be taken out with door completely opened

American Style fridge freezers KF96NAXEAG and KF96NVPEAG

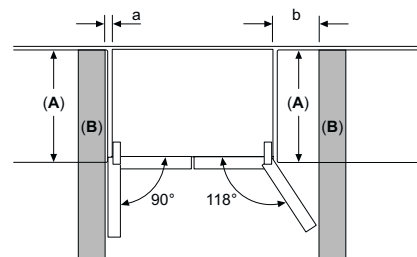


A: Front is adjustable from 1830 to 1847, with front levelling feet fully extended

B: Add 25 for fixed spacers on back

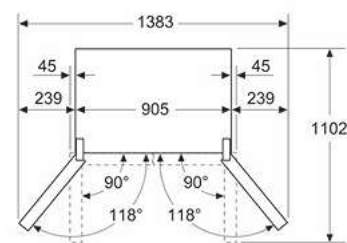


A: Front is adjustable from 1830 to 1847, with front levelling feet fully extended

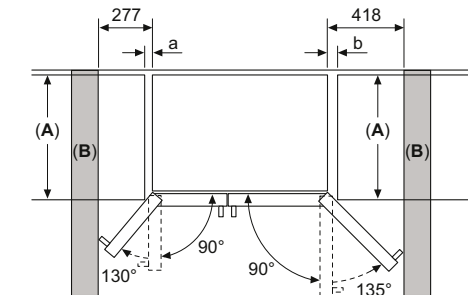
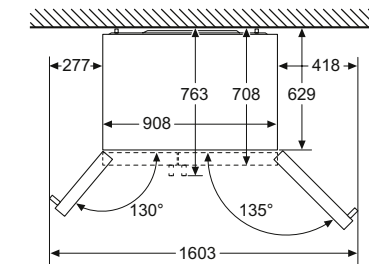
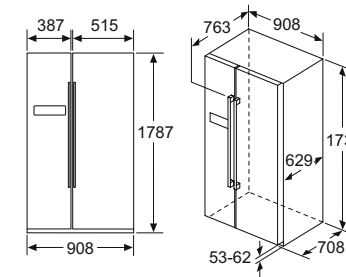


A	a	b
600	0	0
650	0	33
700	45	60
B	45	238

A: Unit depth
B: Wall



American Style fridge freezer KA93NVIFP



A	a	b
≤ 600	50	50
600 < A ≤ 650	50	50
650 < A ≤ 700	53	96
> 700	277	418

A: Kitchen cabinet or worktop depth

B: Wall
Drawers can be pulled out with door open to 90°

Drawers can be taken out with door completely opened

Dishwashers. Innovative features for sparkling results

Siemens built-in dishwashers feature modern design and innovative ideas for seamless living.

Experience maximum flexibility with practical innovations such as varioSpeed Plus which reduces a programme's speed by 30% to 70% and Zeolith® drying technology that transforms humidity into heat for gentle and effective drying results.

Our dishwashers include height-adjustable baskets and foldable racks, stylish innovations such as door openAssist, sideLight and timeLight floor projection, all working together to provide you with the perfect balance between modern design and innovative technology. Whether you are serving dinner for family or hosting a party for friends, Siemens dishwashers ensure that you will have sparkling clean dishes and glasses quickly.



Model shown: SN87YX03CE
fully integrated dishwasher

Built-in
Dishwashers

Siemens built-in dishwasher warranties:



2 Year Warranty

A Two Year Warranty is available on all Siemens built-in dishwashers listed in this brochure to protect against manufacturing and materials faults during this warranty period.



10 Year Anti-Rust Warranty

All Siemens dishwashers purchased from the 1st January 2012 onwards have a 10 Year Anti-Rust Warranty to protect against rust in the inner cavity of the appliance.



Lifetime AquaStop Warranty

All Siemens built-in dishwashers listed in this brochure have a lifetime AquaStop warranty to protect against water damage caused by a defective AquaStop system.

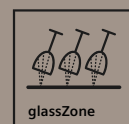
To find out more about your warranty and for registration, please visit:
[siemens-home.bsh-group.com/uk/customer-service/siemens-warranties](https://www.siemens-home.bsh-group.com/uk/customer-service/siemens-warranties)



Model shown: SN87YX03CE
fully integrated dishwasher with blue emotionLight

Dishcare key features

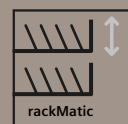
The priority zone for gentle and thorough washing of the most valuable glasses.



glassZone
Thanks to the glassZone, you can now put even your most valuable glasses in the dishwasher with peace of mind. Six integrated nozzles ensure continuous but gentle water supply and thus enable thorough cleaning without damaging sensitive materials. In addition, integrated soft anti-slip elements give secure hold, protect against mechanical stress and prevent damages of glass rims.



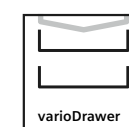
Create the perfect space in the dishwasher for your load.



rackMatic™
Available across all storage solutions, this feature conveniently allows the user to raise and lower the height of the top basket to create more or less space, even when the dishwasher is loaded.



Storage solutions for added flexibility and better results.



varioDrawer
By adding a third shelf for cutlery, varioDrawer removes the need for a cutlery basket and creates more space.



varioDrawer



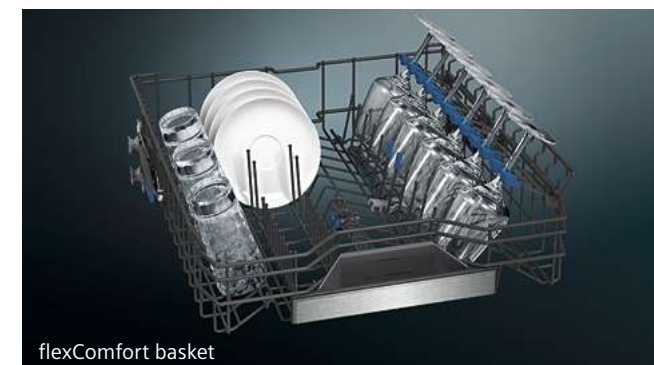
flex basket system
The flex basket has 2 flexible areas in the top rack and 4 in the bottom, giving you extra flexibility within the dishwasher to create more space for those larger items.



flex basket



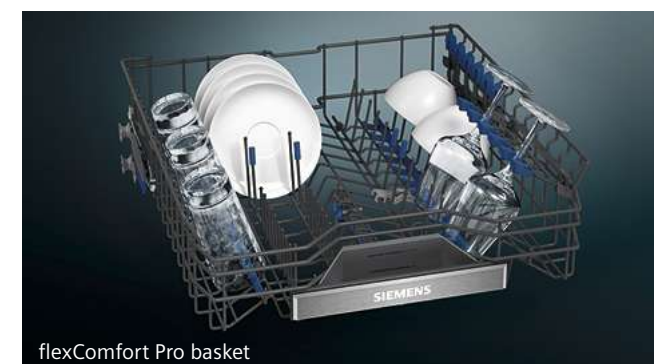
flexComfort basket system
These baskets have the ability to fold down certain compartments within the cavity for extra room – the top rack has 2 areas that can be adjusted for extra flexibility whilst the bottom basket has 8 areas that can be adjusted to create more space so the inside of your dishwasher is constantly adaptable. Anti-slip elements and stemware support hold have also been added, meaning it has never been as easy to load your dishwasher.



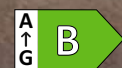
flexComfort basket



flexComfort Pro basket system
The flexComfort Pro basket system is designed to hold larger plates and allows you to create extra space for pots and pans with ease. Choose from up to 6 flexible areas in the top rack and up to 8 flexible areas in the bottom basket to create extra space. Blue touchpoints inside the baskets indicate all the adjustment options available at a glance, and the new easyGlide wheels on the upper basket make loading the dishwasher even easier. Other new features such as anti-slip elements and stemware support hold means you can easily and securely load your glassware and get on with your day, chore free.

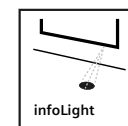


flexComfort Pro basket

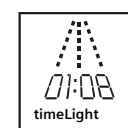


Model shown: SN87YX03CE
fully integrated dishwasher with blue emotionLight

Floor projection displays.



infoLight
Projects a beam of light onto the floor to show the dishwasher is running. This prevents needing to open the door while the cycle is still active to see if it is finished.



timeLight
Check the status of the cycle easily. Useable on any surface of any colour, the innovative timeLight projects the remaining time as well as other essential information of the dishwasher cycle onto the floor.

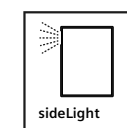
With quiet dishwashers, this solution lets you know the dishwasher is running and how long is left at a glance, so you can avoid opening the door mid-cycle.



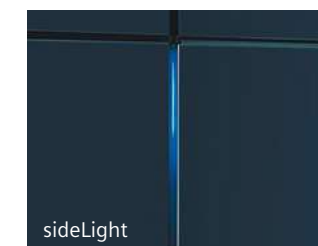
Light up your dishwasher.



emotionLight
Siemens dishwashers feature an internal blue emotionLight that has the wow-factor. Creating a relaxed ambiance, the emotionLight uses LED lights to reflect off your brilliantly-cleaned glasses and create a cool blue glow emanating from inside your dishwasher when you open the door, and switching off again when you close it.



sideLight
With the sideLight, you can see immediately whether the washing programme is still running. During operation, the blue light strip illuminates the furniture gap on the left hand side of the dishwasher. Only available on selected models.



Added kitchen convenience.



autoOpen dry
Gentle drying thanks to autoOpen dry. During the drying process, the door opens automatically and gently. This allows the natural drying of the dishes without the need for additional energy.



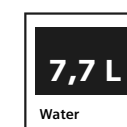
Silence programme
You'll barely hear our dishwashers running. When the Silence programme is selected the dishwasher's noise level is reduced by 2-3dB so you can relax in peace. This is achieved by decreasing water pressure and extending run time. Values stated in matrix under noise level.

Silence on demand
If you need silence during the wash cycle, why not pause the dishwasher for up to 30 minutes by selecting Silence on demand via the Home Connect App.



Hygiene Plus
Great for cleaning chopping boards, food containers and utensils, the hygiene option kills bacteria and germs. Providing a simple solution to the upkeep of your family's health, the final rinse heats up to 70°C regardless of the cycle you choose. *

*Not on delicate programme.



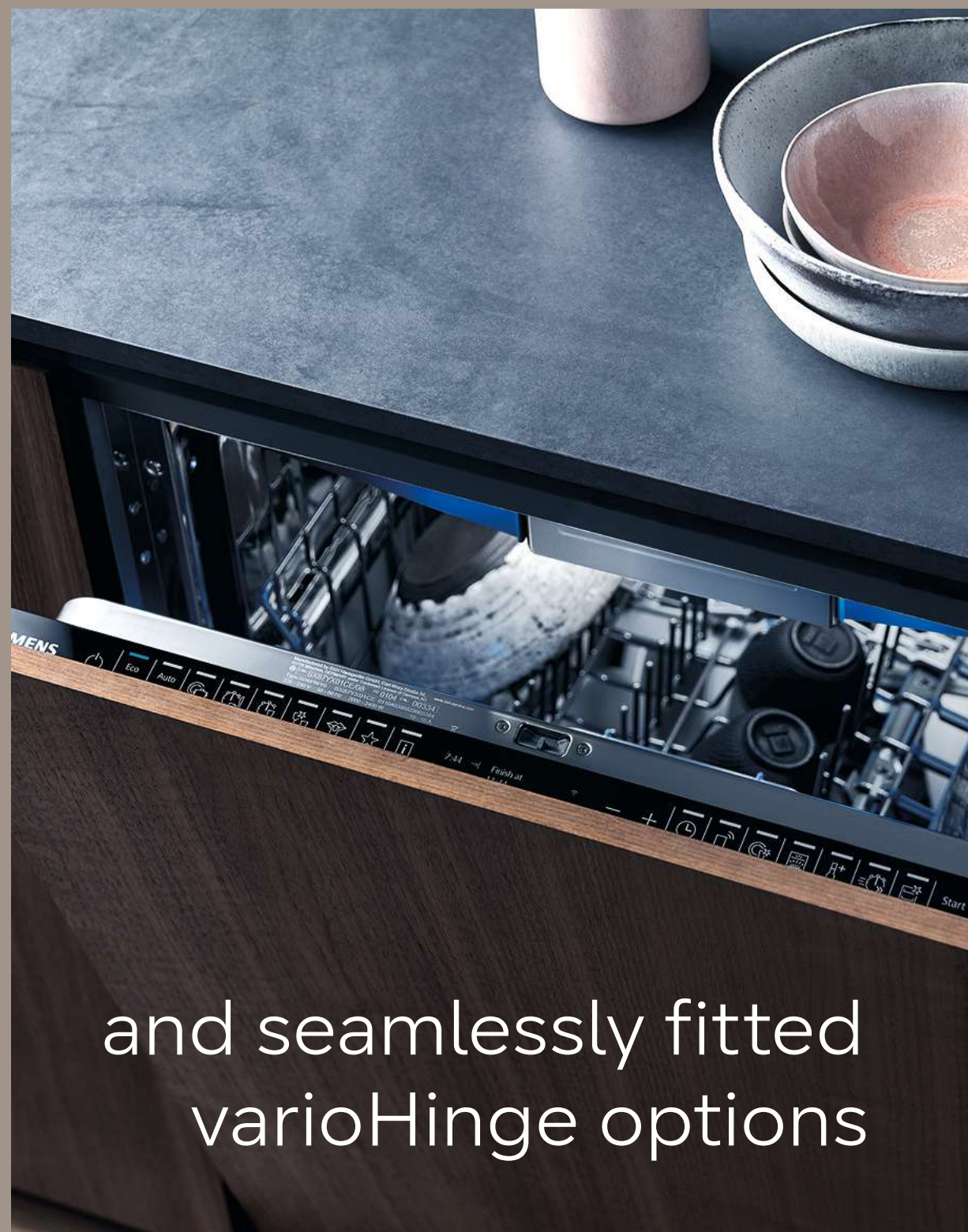
Water consumption
Our built-in dishwashers' lowest water usage programme is 7.7L per cycle* if the Eco 50 programme is selected, for the most resource efficient option.
*Based on SN95ZX61CG



Machine Care with Siemens dishwashers
For excellent results when washing and drying, it is important to look after your dishwasher correctly. All of our integrated Siemens dishwashers include the Machine Care Programme.

This is designed to be used together with a dishwasher cleaning detergent and provides a short, high temperature, high pressure wash designed to remove limescale and grease build up inside your dishwasher and outlet pipes. The dishwasher will remind you every 30 cycles or so to run this programme, to keep your appliance running as efficiently as possible.

Discover top of the range displays



Choose the display type that is right for you.

Black touch control with TFT display and real-time clock
The clear, touch control high resolution TFT display makes it easy to select programmes and settings and check the status of your dishwasher at a glance. Thanks to the real-time clock, it is now possible to set the exact time that you want your dishes to be ready by, for extra convenience. Perfect for delivering warm plates to the dinner table.



Model shown: SN87YX03CE fully integrated dishwasher

Black touch control with LED display
Retaining the same top of the range sleek black touch control panel, however with a clear LED display screen which displays the programme setting and duration time.



Model shown: SN95ZX61CG fully integrated dishwasher

Black / Stainless Steel touch control button and LED display
Stylish and functional this two zone design with direct button selection and white LED display provides clear status information. When a programme and option is selected a blue LED illuminates under the button.



Model shown: SX93HX60CG fully integrated extra height 86.5cm dishwasher

Black push button control with toggle and LED display
With black buttons, a toggle screen and an LED screen which displays programme settings and duration time, this easy to use interface is practical and stylish.



Model shown: SN61HX02AG fully integrated dishwasher

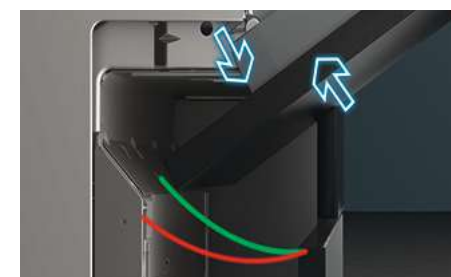
varioHinge. The ideal solution for extra long cabinet doors.

varioHinge enables the furniture panel to slide up the appliance door as it opens, avoiding collision with the plinth.



Siemens has four built-in 60cm dishwasher models, SN95ZX61CG, SN73HX42VG, SN93HX60CG, SX93HX60CG plus a 45cm dishwasher SR93EX20MG, with varioHinge.

varioHinge ensures your kitchen design can be completely flexible with the installation of your dishwasher. Perfect for cabinet doors in handleless kitchens, or designs with low baseboards and longer cabinet panels, the varioHinge allows the cabinet door to be pushed upwards when opened to avoid the door catching. The varioHinge reduces the bottom gap between cabinet doors too for a seamless finish to your kitchen. These appliances are suitable for use with a 50mm plinth.



- ✓ Attractive design for high installation thanks to minimal gap size made possible by varioHinge.
- ✓ With varioHinge, a lower plinth height is possible.



Live in the moment. Leave it to your smart dishwasher.

There are more important things to do in life than worrying about washing dishes and replenishing dishwasher tabs. Now with Siemens smart dishwashers, you can get more efficient results, extra programmes and leave the mundane tasks to your dishwasher, so you can focus on the important things.

You can also select a number of great features through the Home Connect app, such as Speed on demand, Silence on demand, and you can set your Favourite programme and option combination, giving you flexibility to alter your wash cycle options from wherever you are to sync perfectly with your day.

Dishcare tailored by you

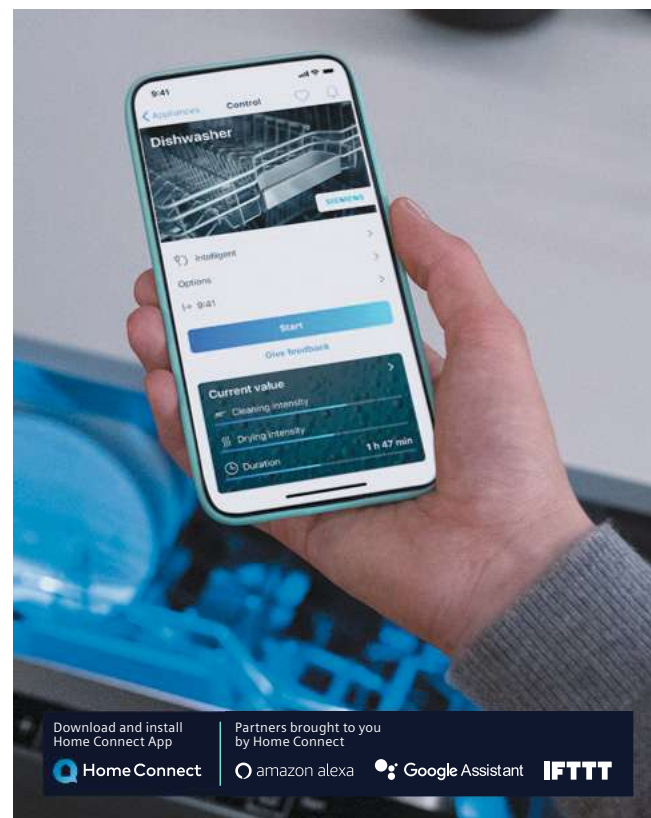
With the Intelligent Programme your dishwasher adapts the washing process to your needs. After the programme is finished, you can rate the results and the duration of the programme via the Home Connect app. The dishwasher will automatically adapt its settings and offer you several alternatives, such as more energy efficient options. Additionally, you will be able to check your water and energy consumption.

Never run out of dishwasher tabs again

Avoid the disappointment of going to start the dishwasher to realise you have run out of tablets. Link your smart dishwasher with the Smart Finish auto-replenishment service and ensure you never run out of dishwasher tablets again. The Smart Finish service knows how many tablets you have left and will automatically reorder more dishwasher tablets when you are running low.

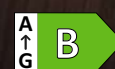
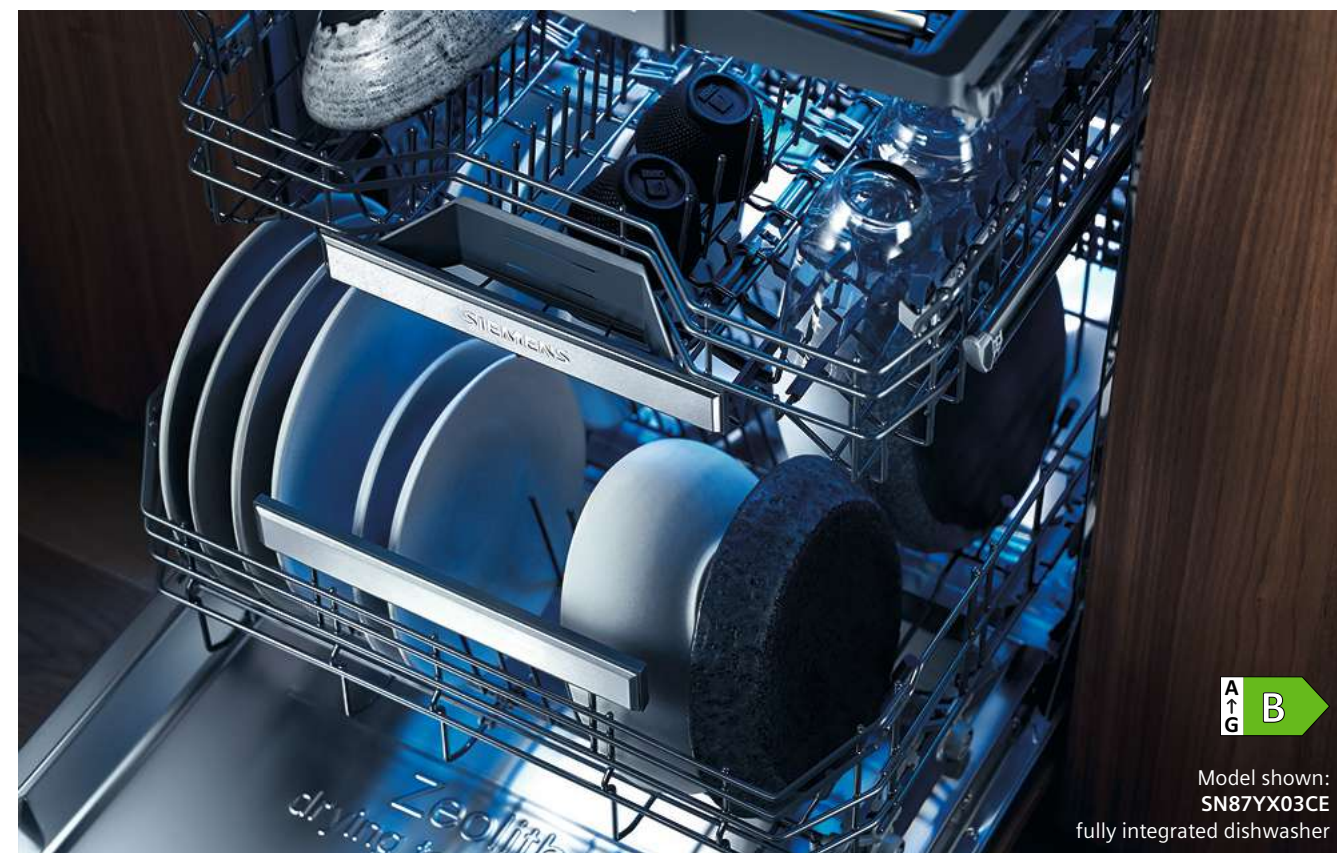
Always use the perfect programme

Use the Home Connect app to start your programme and access a convenient guide that provides a detailed description of each programme, as well as energy and water usage indicators. Choose the best programme for your specific needs or let our Programme Assistant help you pick the perfect one based on your requirements.



Learn more about Home Connect by visiting **Siemens Home UK:** www.siemens-home.bsh-group.com/uk

Or scan the QR code to learn more about our smart dishwasher appliances.



Model shown: SN87YX03CE fully integrated dishwasher

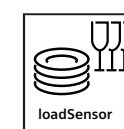


Features available on all built-in dishwasher models.



varioSpeed Plus
Use the varioSpeed Plus button to run the dishwasher significantly faster without compromising on wash quality. Standard on all models.

Speed on demand
An advanced functionality of varioSpeed Plus that cleans and dries the dishes in the shortest possible time for individual needs. This option can be selected, even if a programme is already running, activate this feature via the Home Connect App.



loadSensor
The loadSensor feature helps to ensure that dishes are cleaned thoroughly by ensuring that the optimum amount of water is flowing through the dishwashers throughout the cycle.



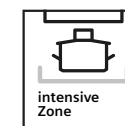
Favourite
Your personal favourites in one push: The Favourite button makes your dishwasher even more personal. Simply enter your most used combination of dishwashing programmes and options, and then start them conveniently at the touch of a button, via the Home Connect app or via your smart watch.



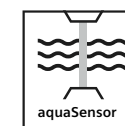
dosageAssist
Quickly and evenly dissolves dishwasher tablets throughout the entire machine, leaving no mess to clean at the end of the cycle. This also prevents the tablet getting stuck in your dishware ensuring no cleaning product residue is left after the cycle.



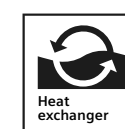
extraDry
The extraDry option can be added to any programme and will extend the drying cycle. This can be useful for harder to dry loads.



intensiveZone
Delicate items, pots and pans can be cleaned together in the same wash. The intensiveZone option increases the spray pressure and temperature in the bottom basket to handle burnt on pans, whilst delicate items can be washed safely in the top basket.



aquaSensor
Makes sure that the optimum temperature is used depending on how dirty the dishes are, meaning that dishes are perfectly clean the first time round.



Heat exchanger
Protect your glasses from cracking with gentle water heating. Heat generated during the wash cycle is used to pre-heat the rinsing water to stop glasses being put under stress. Standard on all models.

A modern handleless kitchen.



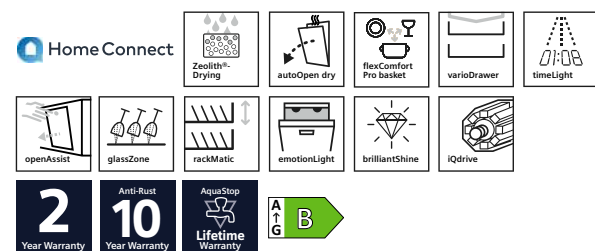
openAssist
With door openAssist you can open fully integrated dishwashers by simply touching the front of the unit, making loading and unloading easy. This removes the need for a handle and is the ideal choice for designer kitchens. With this feature you can even implement a child lock so that the appliance requires two gentle touches before opening.



60cm dishwashers

iQ 700 SN87YX03CE

60cm fully integrated dishwasher



flexComfort Pro basket system

flexComfort Pro baskets create extra room for pots and pans. With an optimised lower basket design for large plates and adjustable sides highlighted with blue touchpoints, your dishwasher can adapt to any load quickly and easily.

varioDrawer included

Selected models include a varioDrawer, giving you a third loading level for cutlery and removing the need for a cutlery basket. This creates more room for large pots and pans below and includes space for small items such as ladles and espresso cups.

60cm fully integrated dishwasher specifications

APPLIANCE TYPE	60CM FULLY INTEGRATED DISHWASHER
Design family	iQ 700
Model number	SN87YX03CE
Control panel colour	Black
Height (cm) / Hinge type	81.5 / Normal hinge
DESIGN FEATURES	
Drying system	Heat exchanger + drying assist, Zeolith
Home Connect Wi-Fi connectivity	■
Control panel type	Touch control + LED
Basket description	flexComfort Pro
varioDrawer (3rd loading level)	■
Status indicator	timeLight (White)
Door openAssist	■
glassZone	■
Glass care technology	■
Anti-slip protection and stemware support upper basket	■
Adjustable upper basket	rackMatic™ 3-stage
Number of flip tines in upper / lower basket	6 / 8
Cup shelves upper / lower baskets	1 / 1
Cutlery holder lower basket	—
Largest loadable dish upper / lower basket (cm)	21 / 31
Load / aquaSensor	■
Real-time clock	—
Start delay time max hours	24
Emotion light (interior lighting)	■
End of cycle indicator	Acoustic
Salt / Rinse aid light indicator	■ / ■
Self cleaning filter system	■
Flood protection system	AquaStop Plus 24h
Safety features	Door lock
PROGRAMMES / FUNCTIONS	
List of programmes	Eco 50°C, Auto 45-65°C, Intelligent 40°C, Intensive 70°C, Speed 60°C, brilliantShine 40°C, Silence 50°C, Favourite, Machine Care
Additional operational options	Remote Start, Shine & Dry, intensiveZone, Hygiene Plus, varioSpeed Plus
TECHNICAL INFORMATION	
Reference programme for measurements	Eco 50°C
Energy efficiency class ¹	A B
Energy ² / water ³ (kWh / litres)	65 / 9.5
Load capacity (place settings)	14
Programme duration ⁴ (h:min)	3:55
Noise level (dB [A] re 1pW)	43
Noise efficiency class	B
Noise level (silence programme) (dB [A] re 1pW)	41
Length of electrical supply cord (cm)	175
Length inlet / outlet hose (cm)	165 / 190
Maximum height for installation (mm)	875
Maximum height adjustability feet (mm)	60
Maximum width for installation (mm)	608
Height of the product (mm)	815
Width / Depth of the product (mm)	598 / 550
Net weight / Gross weight (kg)	45.2 / 47.5
Water softener ⁵	■
Maximum accepted water hardness (°DH)	50
Maximum temperature for water intake (°C)	60
Interior cavity	Stainless steel
Included accessories	Steam protection plate

■ Yes, model has this feature. — Feature not available for this model.
¹ On an energy-efficiency class scale from A to G.
² Energy consumption in kWh/100 operating cycles (using Eco programme).
³ Water consumption in litres/operating cycle (using Eco programme).
⁴ Duration of Eco programme.
⁵ We would recommend our dishwashers are connected to the mains water supply where possible. However, they may also be connected to an external water softener as long as the water softener produces softened water of less than 1.1 mmol/litre (7.0°e) and the water softener in the appliance is turned off. Please contact product advice for further information. Water pressure required: 0.5-10 Bar. Flow rate: 10 litres per minute. Inlet valve connected directly to ¾" screwed joint.

Data valid in this table as of October 2023. Subject to modification without prior notice.

60cm fully integrated dishwasher specifications

APPLIANCE TYPE	60CM FULLY INTEGRATED DISHWASHERS			
Design family	iQ 500	iQ 500	iQ 500	iQ 300
Model number	SN85TX00CE	SN95ZX61CG	SN85EX69CG	SX93HX60CG
Control panel colour	Black	Black	Black	Black / Stainless Steel
Height (cm) / Hinge type	81.5 / Normal hinge	81.5 / varioHinge	81.5 / Fixed	86.5 / varioHinge
DESIGN FEATURES				
Drying system	Heat exchanger + drying assist, Zeolith	Zeolith	Heat exchanger / autoOpen dry	Heat exchanger
Home Connect Wi-Fi connectivity	■	■	■	■
Control panel type	Touch control + LED	Touch control + LED	Touch control + LED	Push buttons + LED
Basket description	flexComfort	flexComfort	flexComfort	flex
varioDrawer (3rd loading level)	■	■	■	■
Status indicator	timeLight (White)	sideLight (Blue)	timeLight (White)	sideLight (Blue)
Door openAssist	■	■	■	■
glassZone	■	■	—	—
Glass care technology	■	■	■	■
Anti-slip protection and stemware support upper basket	■	■	■	■
Adjustable upper basket	rackMatic™ 3-stage	rackMatic™ 3-stage	rackMatic™ 3-stage	rackMatic™ 3-stage
Number of flip tines in upper / lower basket	2 / 8	2 / 8	2 / 8	2 / 4
Cup shelves upper / lower baskets	1 / 1	2 / 2	2 / 2	2 / 2
Cutlery holder lower basket	—	—	—	—
Largest loadable dish upper / lower basket (cm)	21 / 31	21 / 31	21 / 31	21 / 34
Load / aquaSensor	■	■	■	■
Real-time clock	—	—	—	—
Start delay time max hours	24	24	24	24
Emotion light (interior lighting)	■	■	■	—
End of cycle indicator	Acoustic	Acoustic	Acoustic	Acoustic
Salt / Rinse aid light indicator	■ / ■	■ / ■	■ / ■	■ / ■
Self cleaning filter system	■	■	■	■
Flood protection system	AquaStop Plus 24h	AquaStop 24h	AquaStop 24h	AquaStop 24h
Safety features	Door lock	Door lock	Door lock	Door lock
PROGRAMMES / FUNCTIONS				
List of programmes	Eco 50°C, Auto 45-65°C, Intensive 70°C, Speed 60°C, brilliantShine 40°C, Silence 50°C, Favourite, Machine Care	Eco 50°C, Auto 45-65°C, Intensive 70°C, Speed 60°C, brilliantShine 40°C, Silence 50°C, Favourite, Machine Care	Eco 50°C, Auto 45-65°C, Intensive 70°C, 1 hour 65°C, Speed 45°C, Glass 40°C, Silence 50°C, Favourite, Machine Care	Eco 50°C, Auto 45-65°C, Intensive 70°C, 1 hour 65°C, Speed 45°C, Favourite, Machine Care
Additional operational options	Remote Start, Shine & Dry, intensiveZone, varioSpeed Plus	Remote Start, Shine & Dry, intensiveZone, varioSpeed Plus	Remote Start, intensiveZone, Half Load, varioSpeed Plus	Remote Start, intensiveZone, Half Load, varioSpeed Plus
TECHNICAL INFORMATION				
Reference programme for measurements	Eco 50°C	Eco 50°C	Eco 50°C	Eco 50°C
Energy efficiency class ¹	A B	A C	A D	A D
Energy ² / water ³ (kWh / litres)	54 / 9.5	74 / 7.7	85 / 9.5	85 / 9.5
Load capacity (place settings)	14	13	14	14
Programme duration ⁴ (h:min)	4:55	3:45	4:35	4:55
Noise level (dB [A] re 1pW)	44	44	39	44
Noise efficiency class	B	B	B	B
Noise level (silence programme) (dB [A] re 1pW)	42	42	37	—
Length of electrical supply cord (cm)	175	175	175	175
Length inlet / outlet hose (cm)	165 / 190	165 / 190	165 / 190	165 / 190
Maximum height for installation (mm)	865	875	875	925
Maximum height adjustability feet (mm)	60	60	60	60
Maximum width for installation (mm)	608	600	600	600
Height of the product (mm)	815	815	815	865
Width / Depth of the product (mm)	598 / 550	598 / 550	598 / 550	598 / 550
Net weight / Gross weight (kg)	43.7 / 46	43.6 / 45.5	48.1 / 50	38 / 40
Water softener ⁵	■	■	■	■
Maximum accepted water hardness (°DH)	50	50	50	50
Maximum temperature for water intake (°C)	60	60	60	60
Interior cavity	Stainless steel	Stainless steel	Stainless steel	Stainless steel
Included accessories	Steam protection plate	Steam protection plate	Steam protection plate	Steam protection plate

■ Yes, model has this feature. — Feature not available for this model.
¹ On an energy-efficiency class scale from A to G.
² Energy consumption in kWh/100 operating cycles (using Eco programme).
³ Water consumption in litres/operating cycle (using Eco programme).
⁴ Duration of Eco programme.
⁵ We would recommend our dishwashers are connected to the mains water supply where possible. However, they may also be connected to an external water softener as long as the water softener produces softened water of less than 1.1 mmol/litre (7.0°e) and the water softener in the appliance is turned off. Please contact product advice for further information. Water pressure required: 0.5-10 Bar. Flow rate: 10 litres per minute. Inlet valve connected directly to ¾" screwed joint.

Data valid in this table as of October 2023. Subject to modification without prior notice.



60cm fully integrated dishwasher specifications

APPLIANCE TYPE	60CM FULLY INTEGRATED DISHWASHERS			
Design family	iQ300	iQ300	iQ100	iQ100
Model number	SN93HX60CG	SN73HX42VG	SN61HX02AG	SN61DX12ZG
Control panel colour	Black / Stainless Steel	Black / Stainless Steel	Black / Stainless Steel	Black / Stainless Steel
Height (cm) / Hinge type	81.5 / varioHinge	81.5 / varioHinge	81.5 / varioHinge	81.5
DESIGN FEATURES				
Drying system	Heat exchanger	Heat exchanger	Heat exchanger	Inherent heat
Home Connect Wi-Fi connectivity	■	■	■	■
Control panel type	Push buttons + LED	Push buttons + LED	Push buttons + LED	Push buttons + LED
Basket description	flex	varioFlex	flex	vario
varioDrawer (3rd loading level)	■	■	■	■
Status indicator	sideLight (Blue)	infoLight (Blue)	infoLight	infoLight (Blue)
Door openAssist	■	■	■	■
glassZone	■	■	■	■
Glass care technology	■	■	■	■
Anti-slip protection and stemware support upper basket	■	■	■	■
Adjustable upper basket	rackMatic™ 3-stage	rackMatic™ 3-stage	rackMatic™ 3-stage	Height adjustable top basket
Number of flip tines in upper / lower basket	2 / 4	2 / 4	2 / 4	2 / 4
Cup shelves upper / lower baskets	2 / 2	2 / -	2 / 2	2 / 2
Cutlery holder lower basket	■	■	■	■
Largest loadable dish upper / lower basket (cm)	21 / 31	21 / 31	21 / 31	21 / 31
Load / aquaSensor	■	■	■	■
Real-time clock	■	■	■	■
Start delay time max hours	24	24	9	24
Emotion light (interior lighting)	■	■	■	■
End of cycle indicator	Acoustic	Acoustic	Acoustic	Acoustic
Salt / Rinse aid light indicator	■ / ■	■ / ■	■ / ■	■ / ■
Self cleaning filter system	■	■	■	■
Flood protection system	AquaStop 24h	AquaStop 24h	AquaStop 24h	AquaStop 24h
Safety features	Door lock	Door lock	Door lock	Door lock
PROGRAMMES / FUNCTIONS				
List of programmes	Eco 50°C, Auto 45-65°C, Intensive 70°C, 1 hour 65°C, Speed 45°C, Favourite, Machine Care	Eco 50°C, Auto 45-65°C, Intensive 70°C, 1 hour 65°C, Speed 45°C, Favourite, Machine Care	Eco 50°C, Auto 45-65°C, Intensive 70°C, 1 hour 65°C, Favourite, Machine Care	Eco 50°C, Auto 45-65°C, Intensive 70°C, 1 hour 65°C, Favourite, Machine Care
Additional operational options	Remote Start, intensiveZone, Half Load, varioSpeed Plus	Remote Start, intensiveZone, Half Load, varioSpeed Plus	Remote Start, intensiveZone, Half Load, varioSpeed Plus	Remote Start, intensiveZone, Half Load, varioSpeed Plus
TECHNICAL INFORMATION				
Reference programme for measurements	Eco 50°C	Eco 50°C	Eco 50°C	Eco 50°C
Energy efficiency class ¹	A D	A E	A D	A E
Energy ² / water ³ (kWh / litres)	85 / 9.5	94 / 9.5	85 / 9.5	92 / 10.5
Load capacity (place settings)	14	13	13	12
Programme duration ⁴ (h:min)	4:55	3:45	4:55	4:30
Noise level (dB [A] re 1pW)	44	46	48	48
Noise efficiency class	B	C	C	C
Noise level (silence programme) (dB [A] re 1pW)	-	-	-	-
Length of electrical supply cord (cm)	175	175	175	175
Length inlet / outlet hose (cm)	165 / 190	165 / 190	165 / 190	165 / 190
Maximum height for installation (mm)	875	875	875	875
Maximum height adjustability feet (mm)	60	60	60	60
Maximum width for installation (mm)	600	600	608	600
Height of the product (mm)	815	815	815	815
Width / Depth of the product (mm)	598 / 550	598 / 550	598 / 550	598 / 550
Net weight / Gross weight (kg)	35 / 38	37 / 39	35 / 36	31 / 33
Water softener ⁵	■	■	■	■
Maximum accepted water hardness (°DH)	50	50	50	50
Maximum temperature for water intake (°C)	60	60	60	60
Interior cavity	Stainless steel	Stainless steel / Polinox	Stainless steel	Stainless steel
Included accessories	Steam protection plate	Steam protection plate	Steam protection plate	Steam protection plate

■ Yes, model has this feature. – Feature not available for this model.

¹ On an energy-efficiency class scale from A to G.
² Energy consumption in kWh/100 operating cycles (using Eco programme).
³ Water consumption in litres/operating cycle (using Eco programme).
⁴ Duration of Eco programme.
⁵ We would recommend our dishwashers are connected to the mains water supply where possible. However, they may also be connected to an external water softener as long as the water softener produces softened water of less than 1.1 mmol/litre (7.0°e) and the water softener in the appliance is turned off. Please contact product advice for further information.
 Water pressure required: 0.5-10 Bar. Flow rate: 10 litres per minute. Inlet valve connected directly to 3/4" screwed joint.

Data valid in this table as of October 2023. Subject to modification without prior notice.

45cm slimline dishwasher

iQ300 SR93EX20MG

45cm slimline fully integrated dishwasher



Slimline

Slimline dishwashers are perfect for kitchens with limited space. Despite the reduced size, you can still enjoy exciting features such as door openAssist and speed programmes.

Our 45cm dishwasher has a two zone design and features varioHinge, Home Connect, Speed on demand (via Home Connect app) and the Favourite programme (can set programme and option choice as favourite via the Home Connect app).

Speed on demand

You can speed up the programme at any time during the wash cycle, this option can be selected even if the programme has started unlike, varioSpeed+ (this would need to be selected before the start of the programme). To activate Speed on demand you need to access the Home Connect app.



45cm slimline fully integrated dishwasher specifications

APPLIANCE TYPE	45CM FULLY INTEGRATED DISHWASHER	
Design family	iQ300	
Model number	SR93EX20MG	
Control panel colour	Black / Stainless Steel	
Height (cm) / Hinge type	81.5 / varioHinge	
DESIGN FEATURES		
Drying system	Heat exchanger	
Home Connect Wi-Fi connectivity	■	
Control panel type	Push buttons + LED	
Basket description	varioFlex	
varioDrawer (3rd loading level)	■	
Status indicator	infoLight (Blue)	
Door openAssist	■	
glassZone	■	
Glass care technology	■	
Anti-slip protection and stemware support upper basket	■	
Adjustable upper basket	rackMatic™ 3-stage	
Number of flip tines in upper / lower basket	2 / 2	
Cup shelves upper / lower baskets	1 / 1	
Cutlery holder lower basket	■	
Largest loadable dish upper / lower basket (cm)	21 / 31	
Load / aquaSensor	■	
Real-time clock	■	
Start delay time max hours	24	
Emotion light (interior lighting)	■	
End of cycle indicator	Acoustic	
Salt / Rinse aid light indicator	■ / ■	
Self cleaning filter system	■	
Flood protection system	AquaStop 24h	
Safety features	Door lock	
PROGRAMMES / FUNCTIONS		
List of programmes	Eco 50°C, Auto 45-65°C, Intensive 70°C, 1 hour 65°C, Speed 45°C, Favourite, Machine Care	
Additional operational options	Remote Start, intensiveZone, Hygiene Plus, varioSpeed Plus	
TECHNICAL INFORMATION		
Reference programme for measurements	Eco 50°C	
Energy efficiency class ¹	A D	
Energy ² / water ³ (kWh / litres)	67 / 9.5	
Load capacity (place settings)	10	
Programme duration ⁴ (h:min)	3:30	
Noise level (dB [A] re 1pW)	45	
Noise efficiency class	C	
Noise level (silence programme) (dB [A] re 1pW)	-	
Length of electrical supply cord (cm)	175	
Length inlet / outlet hose (cm)	165 / 205	
Maximum height for installation (mm)	875	
Maximum height adjustability feet (mm)	60	
Maximum width for installation (mm)	450	
Height of the product (mm)	815	
Width / Depth of the product (mm)	448 / 550	
Net weight / Gross weight (kg)	32 / 34	
Water softener ⁵	■	
Maximum accepted water hardness (°DH)	50	
Maximum temperature for water intake (°C)	60	
Interior cavity	Stainless steel	
Included accessories	Steam protection plate	

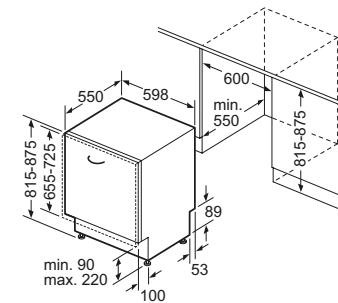
■ Yes, model has this feature. – Feature not available for this model.

¹ On an energy-efficiency class scale from A to G.
² Energy consumption in kWh/100 operating cycles (using Eco programme).
³ Water consumption in litres/operating cycle (using Eco programme).
⁴ Duration of Eco programme.
⁵ We would recommend our dishwashers are connected to the mains water supply where possible. However, they may also be connected to an external water softener as long as the water softener produces softened water of less than 1.1 mmol/litre (7.0°e) and the water softener in the appliance is turned off. Please contact product advice for further information. Water pressure required: 0.5-10 Bar. Flow rate: 10 litres per minute. Inlet valve connected directly to 3/4" screwed joint.

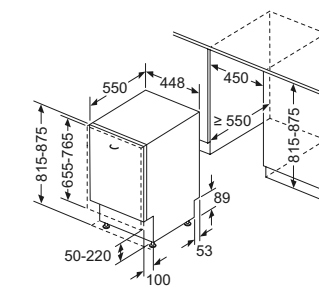
Data valid in this table as of October 2023. Subject to modification without prior notice.

Dishwasher technical diagrams

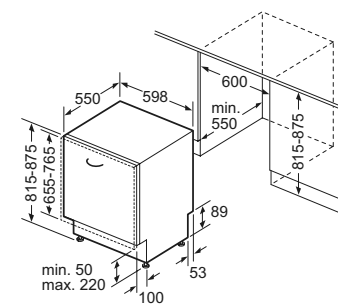
Fully integrated dishwashers SN87YX03CE, SN85TX00CE, SN85EX69CG, SN61HX02AG and SN61IX12TG



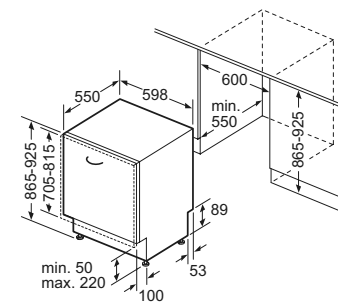
45cm fully integrated dishwasher SR93EX20MG



Fully integrated dishwasher SN95ZX61CG, SN93HX60CG and SN73HX42VG



Fully integrated dishwasher SX93HX60CG



Fully integrated dishwasher accessories

		SN87YX03CE	SN85TX00CE	SN95ZX61CG	SN85EX69CG	SX93HX60CG	SN93HX60CG	SN73HX42VG	SN61HX02AG	SN61IX12TG	SR93EX20MG
Aqua stop extension	SZ72010	■	■	■	■	■	■	■	■	■	■
Silver polishing cassette	SZ73001	■				■	■				
Split door furniture front connection rails – For fullsize and slimline models	SZ38BI00	■	■	■	■	■	■	■	■	■	■
Decor strip - For full size Polinox base models, 81.5cm height	SZ30BI02							■		■	■
Decor strip - For full size and slimline Stainless Steel base models, 81.5cm height	SZ30BI01	■	■	■	■		■		■		
Decor strip - For full size Stainless Steel base models, 86.5cm height	SZ30BI11					■					
Decor strip - For full size Stainless Steel base models installed off the ground, 81.5cm height	SZ73035	■	■	■	■		■				
Decor strip - For full size Stainless Steel base models installed off the ground, 86.5cm height	SZ73045					■					
Door attachment – brushed steel	SZ73056	■			■				■	■	
Drop hinge for tall cabinets	SZ73010	■	■		■				■	■	
Adjustable cutlery basket - full size dishwashers	SZ73100	■	■	■	■	■	■	■			
Adjustable cutlery basket - slimline dishwashers	SZ73145										■
Wine glass holder accessory (Glass secure tray)	SZ73300	■	■	■	■	■	■	■	■	■	
Rack insert for stemware dishwasher	SZ73640	■		■	■	■	■	■	■	■	

Dishwashers. Cutting-edge innovations for extra shine

Siemens freestanding dishwashers take full advantage of the latest technologies.

Designed to fit in around your busy lifestyle, our standard 60cm and slimline 45cm freestanding dishwashers feature efficient, time saving and environmentally conscious programmes, sure to make your dishes shine. With a sleek and stylish design, both inside and out, Siemens dishwashers are designed to complement your home.



Freestanding
Dishwashers

Siemens freestanding dishwasher warranties:

5
Year Warranty

5 Year Warranty

A Siemens Five Year Warranty is available on all Siemens freestanding dishwasher models to protect against any manufacturing and material faults and defects during this warranty period.

Anti-Rust
10
Year Warranty

10 Year Anti-Rust Warranty

All Siemens dishwashers purchased from the 1st January 2012 onwards have a 10 Year Anti-Rust Warranty to protect against rust in the inner cavity of the appliance.

AquaStop
Lifetime
Warranty

Lifetime AquaStop Warranty

All Siemens freestanding dishwashers listed in this brochure have a lifetime AquaStop warranty to protect against water damage caused by a defective AquaStop system.

To find out more about your warranty and for registration, please visit:
siemens-home.bsh-group.com/uk/customer-service/siemens-warranties

Dishwashing key features

Welcome to a new era of dishwashing with brilliantShine.



Our new 60cm dishwashers feature the brilliantShine programme – a one touch solution that combines the Glass 40°C programme and the Shine & Dry option to ensure your glassware is always left sparkling clean.

Straight from dishwasher to table, Shine & Dry gives you streak-free, shining glasses. Harnessing the power of Zeolith® at its best, the special drying cycle also works just as well on plastics, pots and pans, saving you time as you no longer need to give them an extra towel dry. The brilliantShine programme with Zeolith® Drying produces sparkling glasses that you can be proud of, keeping your glassware ready to shine for your guests, even unexpected ones.

There are three factors in dishwashing that influence the shine of your glassware: temperature, cycle time, and the use of detergent. The new brilliantShine programme offers three intelligent solutions that take care of these factors:

- Zeolith® drying uses a Zeolite mineral that absorbs moisture and converts it into a gentle heat.
- The Shine & Dry option swills all residues of detergent with extra rinsing water, resulting in streak-free, shining glassware.
- The Glass 40°C programme ensures that your glassware is not exposed to excessive temperatures or spray pressures, and keeps the cycle time shorter.

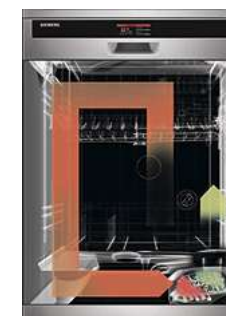
Zeolith®: Super efficient drying technology.



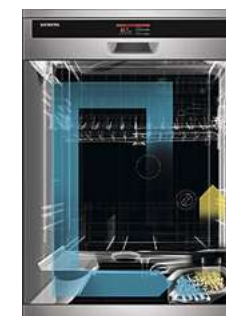
Using advanced drying technologies, Siemens dishwashers keep energy consumption to a minimum. Zeolith®, a form of zeolite mineral, has the astonishing ability to absorb moisture and convert it to heat. What does this mean for you? The heat produced naturally by the Zeolith® is used for the drying cycle. No additional energy is therefore required to heat up the contents of your dishwasher for the drying process (as with a standard drying system). This leads to excellent drying results, with less energy usage than models without Zeolith® technology.

Zeolith® is stored in the depths of the dishwasher; it regenerates itself and keeps working for the lifetime of the machine, meaning you never have to replace it. Combine this with the economy 50°C programme to get brilliant results with minimal energy.

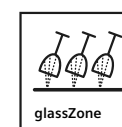
Drying phase
Zeolith® absorbs moisture and converts it to heat energy.



Cleaning phase
As the mineral is heated during the cleaning cycle, it is recharged and ready to absorb moisture once more.



The new priority zone for gentle and thorough washing of the most valuable glasses.



glassZone
Thanks to the new glassZone, you can now put even your most valuable glasses in the dishwasher with peace of mind. Six integrated nozzles ensure continuous but gentle water supply and thus enable thorough cleaning without damaging sensitive materials. In addition, integrated soft anti-slip elements give secure hold, protect against mechanical stress and prevent damage to glass rims.





Dishwashing key features

Take your mind off the household chores using the Home Connect App.

Connect your Wi-Fi-ready dishwasher with the Home Connect App to easily select programmes and options to start your dishwasher from wherever you are, whenever you want. Thanks to this app technology, you can control your appliance out of home and have the dishes ready exactly when you need them. Perfect for busy lifestyles. When the cycle is finished, the Home Connect App will send you a push notification to let you know, so you can focus on other things.

You can also select a number of great features through the Home Connect app, such as Speed on demand, Silence on demand, autoOpen Dry and you can set your Favourite programme and alter your wash cycle options from wherever you are to sync perfectly with your day.



Download and install
Home Connect App

Partners brought to you
by Home Connect

Home Connect

just ask alexa

works with Ok Google

IFTTT

easyStart menu

The easyStart menu on the Home Connect App helps you to find the correct setting for your load quickly and easily. Just answer a few simple questions and the app will suggest the optimum programme for your load. It is easy to adjust your dishwasher settings via the app on your mobile or tablet to keep it running at maximum efficiency.

Home Connect partner Services

You can even use our partner services, Amazon Alexa, Google Assistant and IFTTT to manage your machine. With Amazon Alexa, you can control your appliance by using your voice. Whether you want to start or finish the cycle, or check the remaining cycle time, just ask Alexa.

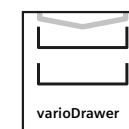
You can also benefit from automatic tablet replenishment, through Smart reorder within the Amazon Alexa app. This feature can be set up easily, so you never need to worry about running out of tablets again.

Setting your water settings has never been easier too. Whether your area experiences hard or soft water, you can set this easily within the app in seconds.

IFTTT technology allows you to integrate the Home Connect App with a wider array of connect devices. You can then produce customised applets, demands between two devices, so you can really bring your smart home to life. For example you could make your lights flash when your cycle finishes.

Learn more about Home Connect by visiting Siemens Home UK:
www.siemens-home.bsh-group.com/uk

Basket systems for added flexibility and better results.



varioDrawer

By adding a third shelf for cutlery, varioDrawer removes the need for a cutlery basket and creates more space.



flex basket system

The flex basket has 2 flexible areas in the top rack and 4 in the bottom, giving you extra flexibility within the dishwasher to create more space for those larger items.



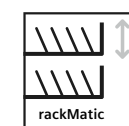
flexComfort basket system

These baskets have the ability to fold down certain compartments within the cavity for extra room – the top rack has 2 areas that can be adjusted for extra flexibility whilst the bottom basket has 8 areas that can be adjusted to create more space so the inside of your dishwasher is constantly adaptable. Anti-slip elements and stemware support hold have also been added, meaning it has never been as easy to load your dishwasher.



flexComfort Pro basket system

The flexComfort Pro basket system is designed to hold larger plates and allows you to create extra space for pots and pans with ease. Choose from up to 6 flexible areas in the top rack and up to 8 flexible areas in the bottom basket to create extra space. Blue touchpoints inside the baskets indicate all the adjustment options available at a glance, and the new easyGlide wheels on the upper basket make loading the dishwasher even easier. Other new features such as anti-slip elements and stemware support hold means you can easily and securely load your glassware and get on with your day, chore free.



rackMatic™

Available across all storage solutions, this feature conveniently allows the user to raise and lower the height of the top basket to create more or less space, even when the dishwasher is loaded.



varioDrawer



flex basket



flexComfort basket



flexComfort Pro basket

Let the dishwasher do the work, with the automatic programme sensor.



auto
45°-65°
Automatic
programme

Doing the dishes is now easier than ever before with sensor technology included in every one of our dishwashing appliances. From soiled pots and pans to delicate plates – every item gets the right care and treatment.

For example, the autoProgramme sensor gives brilliant results at the push of a button. As soon as the autoProgramme is activated, the aqua sensor automatically measures the cloudiness of the water to precisely adapt the amount and temperature of water needed for optimal cleaning. The sensor controls the entire washing and drying process and automatically adjusts water consumption, water temperature and cycle time to suit each load. The sensor control unit steers the whole washing and drying process to deliver brilliant results every time.

Model shown left:
SN27YI03CE 60cm freestanding dishwasher

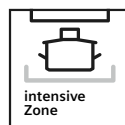


Enhanced performance and sparkling results

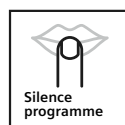


Model shown: SN27YI03CE 60cm dishwasher

Standard features on all freestanding models.

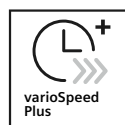


intensiveZone
Delicate items and pots and pans can be cleaned together in the same wash. The intensiveZone option increases the spray pressure and temperature in the bottom basket to handle burnt on pans, whilst delicate items can be washed safely in the top basket.



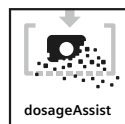
Silence programme
You will barely hear our dishwashers running. When the Silence programme is selected the dishwashers noise level is reduced by 2-3dB so you can relax in peace. This is achieved by decreasing water pressure and extending run time. Values stated in matrix under noise level.

Silence on demand
If you need silence during the wash cycle, why not pause the dishwasher for up to 30 minutes by selecting Silence on demand via the Home Connect App.



varioSpeed Plus
Use the varioSpeed Plus button to run the dishwasher significantly faster without compromising on wash quality. Standard on all models.

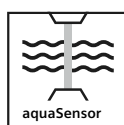
Speed on demand
An advanced functionality of varioSpeed Plus that cleans and dries the dishes in the shortest possible time for individual needs. This option can be selected, even if a programme is already running, activate this feature via the Home Connect App.



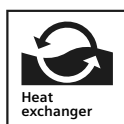
dosageAssist
Quickly and evenly dissolves dishwasher tablets throughout the entire machine, leaving no mess to clean at the end of the cycle.



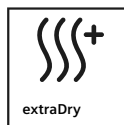
Favourite
Your personal favourites in one push: The Favourite button makes your dishwasher even more personal. Simply enter your most used combination of dishwashing programmes and options and then start them conveniently at the touch of a button, via the Home Connect app or via the Alexa voice assistant.



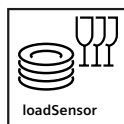
aquaSensor
Makes sure that the optimum temperature is used depending on how dirty the dishes are, meaning that dishes are perfectly clean the first time round.



Heat exchanger
Protect your glasses from cracking with gentle water heating. Heat generated during the wash cycle is used to pre-heat the rinsing water to stop glasses being put under stress. Standard on all models.



extraDry
The extraDry option can be added to any programme and will extend the drying cycle. This can be useful for harder to dry loads.

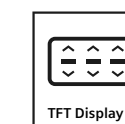


loadSensor
By monitoring that the optimum amount of water is flowing through the dishwasher throughout the cycle, the loadSensor helps to ensure that dishes are cleaned thoroughly.



Machine Care with Siemens dishwashers
For excellent results when washing and drying, it is important to look after your dishwasher correctly. All of our freestanding Siemens dishwashers include the Machine Care Programme. This is designed to be used together with a dishwasher cleaning detergent and provides a short, high temperature, high pressure wash designed to remove limescale and grease build up inside your dishwasher and outlet pipes. The dishwasher will remind you every 30 cycles or so to run this programme, to keep your appliance running as efficiently as possible.

Highlight features, available on selected freestanding models.



TFT display with real-time clock
The clear, touch control high resolution TFT display makes it easy to select programmes and settings and check the status of your dishwasher at a glance. Thanks to the real-time clock, it is now possible to set the exact time that you want your dishes to be ready by, for extra convenience. Perfect for delivering warm plates to the dinner table.



autoOpen dry
Gentle drying thanks to autoOpen dry. During the drying process, the door opens automatically and gently. This allows the natural drying of the dishes without the need for additional energy.



Hygiene Plus
The Hygiene Plus setting is ideal for chopping boards and food containers. It heats up to extra high temperature in the final rinse for maximum hygiene.



emotionLight
The emotionLight uses LED lights to create a cool blue glow emanating from inside your dishwasher.

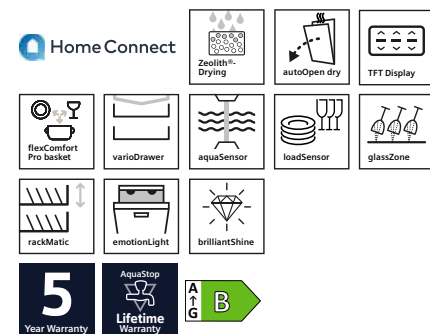


60cm dishwashers

iQ700 SN27YI03CE

60cm freestanding dishwasher
Stainless steel

600mm



Home Connect



60cm freestanding dishwasher
specifications

APPLIANCE TYPE	60CM FREESTANDING DISHWASHER
Design family	iQ700
Model number	SN27YI03CE
Colour	Stainless steel
DESIGN FEATURES	
Drying system	Zeolith
Home Connect Wi-Fi connectivity	■
Control panel type	Touch control + TFT
Basket description	flexComfort Pro
varioDrawer (3rd loading level)	■
glassZone	■
Glass care technology	■
Anti-slip protection and stemware support upper basket	■
Adjustable upper basket	rackMatic™ 3-stage
Number of flip tines in upper / lower basket	6 / 8
Cup shelves upper / lower baskets	1 / 1
Cutlery holder lower basket	–
Largest loadable dish upper / lower basket (cm)	21 / 31
Load / aquaSensor	■
Real-time clock	■
Start delay time max hours	24
Time remaining indicator	■
Emotion light (interior lighting)	■
End of cycle indicator	Acoustic
Salt / Rinse aid light indicator	■ / ■
Self cleaning filter system	■
Flood protection system	AquaStop 24h
Safety features	Door lock
PROGRAMMES / FUNCTIONS	
List of programmes	Eco 50°C, Auto 45-65°C, Intensive 70°C, Speed 60°C, brilliantShine 40°C, Silence 50°C, Favourite, Machine Care
Additional special options	Remote Start, Shine & Dry, intensiveZone, Hygiene Plus, varioSpeed Plus
TECHNICAL INFORMATION	
Reference programme for measurements	Eco 50°C
Energy efficiency class ¹	A B
Energy ² / water ³ (kWh / litres)	65 / 9.5
Load capacity (place settings)	14
Programme duration ⁴ (h:min)	3:55
Noise level (dB [A] re 1pW)	43
Noise efficiency class	B
Noise level (silence programme) (dB [A] re 1pW)	41
Maximum height adjustability feet (mm)	2
Depth with open door 90 degree (cm)	115.5
Length of electrical supply cord (cm)	175
Length inlet / outlet hose (cm)	165 / 190
Height of the product with removable top (cm)	84.5
Height of the product without removable top (cm)	81.5
Width / Depth of the product (cm)	60 / 60
Net weight / Gross weight (kg)	55 / 56.5
Water softener ⁵	■
Maximum accepted water hardness (°DH)	50
Maximum temperature for water intake (°C)	60
Interior cavity	Stainless steel
OPTIONAL ACCESSORIES FOR DISHWASHERS	
Wine Glass Holder Accessory. Compatible with Siemens varioFlex, varioFlex Plus and varioFlex Pro basket systems	SZ73300
Hose extension (2m inlet and outlet hose extension)	
Cutlery basket - slimline	SZ73145
Cutlery basket	

■ Yes, model has this feature. – Feature not available for this model.

¹ On an energy-efficiency class scale from A to G.

² Energy consumption in kWh/100 operating cycles (using Eco programme).

³ Water consumption in litres/operating cycle (using Eco programme).

⁴ Duration of Eco programme.

⁵ We would recommend our dishwashers are connected to the mains water supply where possible. However, they may also be connected to an external water softener as long as the water softener produces softened water of less than 1.1 mmol/litre (7.0°e) and the water softener in the appliance is turned off. Please contact product advice for further information. Water pressure required: 0.5-10 Bar. Flow rate: 10 litres per minute. Inlet valve connected directly to ¾" screwed joint.

Data valid in this table as of October 2023. Subject to modification without prior notice.

Home Connect



60cm freestanding dishwasher
specifications

APPLIANCE TYPE	60CM FREESTANDING DISHWASHERS	
Design family	iQ500	iQ300
Model number	SN25Z149CE	SN23EC14CG
Colour	Stainless steel	Black steel antiFingerprint
DESIGN FEATURES		
Drying system	Zeolith	Heat exchanger / autoOpen dry
Home Connect Wi-Fi connectivity	■	■
Control panel type	Touch control + LED	Push buttons + LED
Basket description	flexComfort	flex
varioDrawer (3rd loading level)	■	■
glassZone	■	–
Glass care technology	■	■
Anti-slip protection and stemware support upper basket	■	–
Adjustable upper basket	rackMatic™ 3-stage	rackMatic™ 3-stage
Number of flip tines in upper / lower basket	2 / 8	2 / 4
Cup shelves upper / lower baskets	2 / 2	2 / 2
Cutlery holder lower basket	–	–
Largest loadable dish upper / lower basket (cm)	21 / 31	21 / 31
Load / aquaSensor	■	■
Real-time clock	–	–
Start delay time max hours	24	24
Time remaining indicator	■	■
Emotion light (interior lighting)	■	–
End of cycle indicator	–	–
Salt / Rinse aid light indicator	■ / ■	■ / ■
Self cleaning filter system	■	■
Flood protection system	AquaStop 24h	Internal
Safety features	Control panel lock, door lock	Control panel lock, door lock
PROGRAMMES / FUNCTIONS		
List of programmes	Eco 50°C, Auto 45-65°C, Intensive 70°C, Speed 60°C, Speed 45°C, brilliantShine 40°C, Silence 50°C, Favourite, Machine Care	Eco 50°C, Auto 45-65°C, Intensive 70°C, 1 hour 65°C, Speed 45°C, Favourite, Machine Care
Additional special options	Remote Start, Shine & Dry, intensiveZone, varioSpeed Plus	Remote Start, intensiveZone, Half Load, varioSpeed Plus
TECHNICAL INFORMATION		
Reference programme for measurements	Eco 50°C	Eco 50°C
Energy efficiency class ¹	A C	A C
Energy ² / water ³ (kWh / litres)	75 / 9.5	74 / 9.5
Load capacity (place settings)	14	13
Programme duration ⁴ (h:min)	3:55	4:35
Noise level (dB [A] re 1pW)	42	44
Noise efficiency class	B	B
Noise level (silence programme) (dB [A] re 1pW)	40	–
Maximum height adjustability feet (mm)	2	2
Depth with open door 90 degree (cm)	115.5	115.5
Length of electrical supply cord (cm)	175	175
Length inlet / outlet hose (cm)	165 / 190	165 / 190
Height of the product with removable top (cm)	84.5	84.5
Height of the product without removable top (cm)	81.5	81.5
Width / Depth of the product (cm)	60 / 60	60 / 60
Net weight / Gross weight (kg)	56 / 57	36 / 38
Water softener ⁵	■	■
Maximum accepted water hardness (°DH)	50	50
Maximum temperature for water intake (°C)	60	60
Interior cavity	Stainless steel	Stainless steel
OPTIONAL ACCESSORIES FOR DISHWASHERS		
Wine Glass Holder Accessory. Compatible with Siemens varioFlex, varioFlex Plus and varioFlex Pro basket systems		
Hose extension (2m inlet and outlet hose extension)		
Cutlery basket - slimline		
Cutlery basket		

■ Yes, model has this feature. – Feature not available for this model.

¹ On an energy-efficiency class scale from A to G.

² Energy consumption in kWh/100 operating cycles (using Eco programme).

³ Water consumption in litres/operating cycle (using Eco programme).

⁴ Duration of Eco programme.

⁵ We would recommend our dishwashers are connected to the mains water supply where possible. However, they may also be connected to an external water softener as long as the water softener produces softened water of less than 1.1 mmol/litre (7.0°e) and the water softener in the appliance is turned off. Please contact product advice for further information. Water pressure required: 0.5-10 Bar. Flow rate: 10 litres per minute. Inlet valve connected directly to ¾" screwed joint.

Data valid in this table as of October 2023. Subject to modification without prior notice.



60cm freestanding dishwasher specifications

APPLIANCE TYPE	iQ300	
Design family	iQ300	
Model number	SN23HW00MG	SN23HI00KG
Colour	White	Stainless steel antiFingerPrint
DESIGN FEATURES		
Drying system	Heat exchanger	Heat exchanger
Home Connect Wi-Fi connectivity	■	■
Control panel type	Push buttons + LED	Push buttons + LED
Basket description	varioFlex	varioFlex
varioDrawer (3rd loading level)	■	-
glassZone	-	-
Glass care technology	■	■
Anti-slip protection and stemware support upper basket	-	-
Adjustable upper basket	rackMatic™ 3-stage	rackMatic™ 3-stage
Number of flip tines in upper / lower basket	2 / 4	2 / 4
Cup shelves upper / lower baskets	2 / 2	2 / 2
Cutlery holder lower basket	-	-
Largest loadable dish upper / lower basket (cm)	21 / 31	21 / 31
Load / aquaSensor	■	■
Real-time clock	-	-
Start delay time max hours	24	24
Time remaining indicator	■	■
Emotion light (interior lighting)	-	-
End of cycle indicator	-	-
Salt / Rinse aid light indicator	■ / ■	■ / ■
Self cleaning filter system	■	■
Flood protection system	Internal	Internal
Safety features	Control panel lock, door lock	Control panel lock, door lock
PROGRAMMES / FUNCTIONS		
List of programmes	Eco 50°C, Auto 45-65°C, Intensive 70°C, 1 hour 65°C, Speed 45°C, Favourite, Machine Care	Eco 50°C, Auto 45-65°C, Intensive 70°C, 1 hour 65°C, Speed 45°C, Favourite, Machine Care
Additional special options	Remote Start, intensiveZone, Half Load, varioSpeed Plus	Remote Start, intensiveZone, Half Load, varioSpeed Plus
TECHNICAL INFORMATION		
Reference programme for measurements	Eco 50°C	Eco 50°C
Energy efficiency class ¹	A D	A D
Energy ² / water ³ (kWh / litres)	85 / 9.5	84 / 9.5
Load capacity (place settings)	14	13
Programme duration ⁴ (h:min)	4:55	4:55
Noise level (dB [A] re 1pW)	44	44
Noise efficiency class	B	B
Noise level (silence programme) (dB [A] re 1pW)	-	-
Maximum height adjustability feet (mm)	2	2
Depth with open door 90 degree (cm)	115.5	115.5
Length of electrical supply cord (cm)	175	175
Length inlet / outlet hose (cm)	165 / 190	165 / 190
Height of the product with removable top (cm)	84.5	84.5
Height of the product without removable top (cm)	81.5	81.5
Width / Depth of the product (cm)	60 / 60	60 / 60
Net weight / Gross weight (kg)	50 / 52	47 / 48
Water softener ⁵	■	■
Maximum accepted water hardness (°DH)	50	50
Maximum temperature for water intake (°C)	60	60
Interior cavity	Stainless steel	Stainless steel
OPTIONAL ACCESSORIES FOR DISHWASHERS		
Wine Glass Holder Accessory. Compatible with Siemens varioFlex, varioFlex Plus and varioFlex Pro basket systems		
Hose extension (2m inlet and outlet hose extension)		
Cutlery basket - slimline		
Cutlery basket		

■ Yes, model has this feature. – Feature not available for this model.

¹ On an energy-efficiency class scale from A to G.

² Energy consumption in kWh/100 operating cycles (using Eco programme).

³ Water consumption in litres/operating cycle (using Eco programme).

⁴ Duration of Eco programme.

⁵ We would recommend our dishwashers are connected to the mains water supply where possible. However, they may also be connected to an external water softener as long as the water softener produces softened water of less than 1.1 mmol/litre (7.0°e) and the water softener in the appliance is turned off. Please contact product advice for further information. Water pressure required: 0.5-10 Bar. Flow rate: 10 litres per minute. Inlet valve connected directly to ¾" screwed joint.

Data valid in this table as of October 2023. Subject to modification without prior notice.

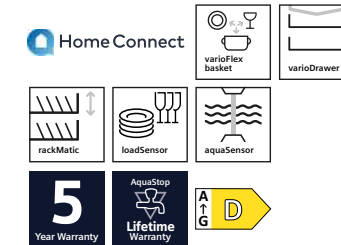
45cm slimline dishwashers

iQ300 SR23EI28ME

45cm slimline freestanding dishwasher
Stainless steel

450mm

Home Connect



Slimline

Slimline dishwashers are perfect for kitchens with limited space. Despite the reduced size, you can still enjoy exciting features such as door openAssist and speed programmes.

45cm slimline freestanding dishwasher specifications

APPLIANCE TYPE	45CM FREESTANDING DISHWASHER
Design family	iQ300
Model number	SR23EI28ME
Colour	Stainless steel
DESIGN FEATURES	
Drying system	Heat exchanger
Home Connect Wi-Fi connectivity	■
Control panel type	Push buttons + LED
Basket description	varioFlex
varioDrawer (3rd loading level)	■
glassZone	-
Glass care technology	■
Anti-slip protection and stemware support upper basket	-
Adjustable upper basket	rackMatic™ 3-stage
Number of flip tines in upper / lower basket	2 / 2
Cup shelves upper / lower baskets	1 / 1
Cutlery holder lower basket	-
Largest loadable dish upper / lower basket (cm)	21 / 31
Load / aquaSensor	■
Real-time clock	-
Start delay time max hours	24
Time remaining indicator	■
Emotion light (interior lighting)	-
End of cycle indicator	-
Salt / Rinse aid light indicator	■ / ■
Self cleaning filter system	■
Flood protection system	AquaStop 24h
Safety features	Control panel lock, door lock
PROGRAMMES / FUNCTIONS	
List of programmes	Eco 50°C, Auto 45-65°C, Intensive 70°C, 1 hour 65°C, Speed 45°C, Favourite, Machine Care
Additional special options	Remote Start, intensiveZone, Hygiene Plus, varioSpeed Plus
TECHNICAL INFORMATION	
Reference programme for measurements	Eco 50°C
Energy efficiency class ¹	A D
Energy ² / water ³ (kWh / litres)	67 / 9.5
Load capacity (place settings)	10
Programme duration ⁴ (h:min)	3:30
Noise level (dB [A] re 1pW)	44
Noise efficiency class	B
Noise level (silence programme) (dB [A] re 1pW)	-
Maximum height adjustability feet (mm)	2
Depth with open door 90 degree (cm)	115.5
Length of electrical supply cord (cm)	175
Length inlet / outlet hose (cm)	165 / 205
Height of the product with removable top (cm)	84.5
Height of the product without removable top (cm)	81.5
Width / Depth of the product (cm)	45 / 60
Net weight / Gross weight (kg)	42 / 43
Water softener ⁵	■
Maximum accepted water hardness (°DH)	50
Maximum temperature for water intake (°C)	60
Interior cavity	Stainless steel

■ Yes, model has this feature. – Feature not available for this model.

¹ On an energy-efficiency class scale from A to G.

² Energy consumption in kWh/100 operating cycles (using Eco programme).

³ Water consumption in litres/operating cycle (using Eco programme).

⁴ Duration of Eco programme.

⁵ We would recommend our dishwashers are connected to the mains water supply where possible. However, they may also be connected to an external water softener as long as the water softener produces softened water of less than 1.1 mmol/litre (7.0°e) and the water softener in the appliance is turned off. Please contact product advice for further information. Water pressure required: 0.5-10 Bar. Flow rate: 10 litres per minute. Inlet valve connected directly to ¾" screwed joint.

Data valid in this table as of October 2023. Subject to modification without prior notice.

Laundry care, high performance with state-of-the-art technology

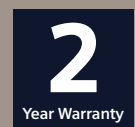
Siemens has created a built-in laundry range that is cleverly designed and quietly efficient, developed to make laundry easier and less of a chore.

Our machines take full advantage of the latest technology and innovation all behind closed doors. Cleverly designed and quietly efficient, our built-in washing machines and washer dryers produce beautifully clean clothes whilst fitting seamlessly into your kitchen. Performance behind the door.



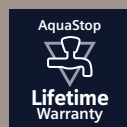
Built-in
Home laundry

Siemens home laundry warranties:



2 Year Warranty

A Two Year Warranty is available on all Siemens washing machines and washer dryers listed in this brochure to protect against manufacturing and material faults during this warranty period.



AquaStop Lifetime Warranty

Selected Siemens laundry appliances have a lifetime AquaStop warranty to protect against water damage caused by a defective AquaStop system. For models with this warranty please check the matrix.



iQdrive® Motor 10 Year Warranty

The iQdrive® Motor Warranty is available on selected laundry machines to protect against any defects to the iQdrive® motor. For models with this warranty please check the laundry matrix.

To find out more about your warranty and for registration, please visit:
siemens-home.bsh-group.com/uk/customer-service/siemens-warranties

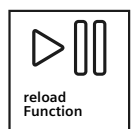
Laundry care key features



Efficient Laundry appliances that can be concealed neatly behind the door, helping to retain clean lines and modern aesthetics, with a range of key features that all help to make laundry less of a chore.



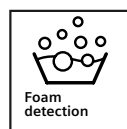
Model shown above: **W114W502GB**



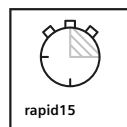
reload
The reload function allows the machine to be paused and the door opened at the next safe opportunity. It is the perfect solution when an extra item needs to be added to the load.



quietWash programme
Particularly quiet wash programme with a reduced final spin to wash and dry up to 4kg.



Foam detection
Detects if too much foam has been created in the wash, if so, it will adjust the drum movement and add an extra rinse cycle if necessary.



rapid15
Washes, rinses and spins lightly soiled clothing in just 15 minutes. Designed for those with busy lifestyles, this wash cycle will clean clothes when you are in a hurry.

Extremely quiet washing machines

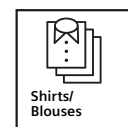
Thanks to the brushless iQdrive motor and antiVibration side panels, Siemens built-in washing machines are particularly quiet in their class.

Extremely quiet washer dryers

Our washer dryers are designed to be as quiet as possible while still offering excellent performance and results when washing and drying, so you can get on with your day without any disturbance.



Wool programme
An exceptionally gentle woollen hand wash programme. The drum is set to provide a cradle motion, with only an occasional rotation, giving a soft wash action. A special spin phase finishes the cycle.



Shirts/Blouses
The ideal programme for a week's worth of shirts, offering a reduced spin to reduce ironing. Suitable for up to 2kg worth of washing, this cycle is designed to run for just over an hour.



Mixed fabrics
Perfect for the mid-week wash of a mixture of cottons, hard-wearing or easy-care fabrics, load up to 4kg worth of garments with a running time of just 49 minutes.



Delicates/silk
This gentle programme is perfect for those delicate, washable fabrics, e.g. silk, satin, synthetics or blended fabrics (e.g. curtains). Cool temperatures, gentle spinning between the rinse cycles and reduced final spin speeds reduces creases dramatically.

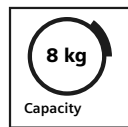


Model shown: **W114W502GB**

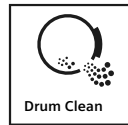
The complete laundry solution with features that fit around your lifestyle

Features specific to integrated washing machines.

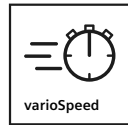
Check model for available functions.



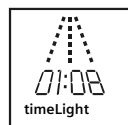
Capacity
The large 8kg drum capacity is the perfect size to hold more laundry and reduce the number of loads you have to wash.



Drum Clean
An automatic alert after 20 washes to run the Drum Clean programme on a 90°C or 60°C wash keeps the appliance clean and odour free.



varioSpeed
Get perfectly clean laundry in up to 55% less time. This feature can automatically detect when time can be saved. The smart sensor identifies load volume and textile kind, hence adapting the washing machine's process time efficiently to suit the specific load.



timeLight
Stay in control and let the laundry fit around you. The timeLight projects the remaining cycle time and programme status onto any floor surface to keep you informed at a glance, and is visible without opening the cabinet door.

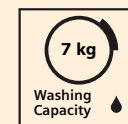


Model shown: WI14W502GB



Features specific to integrated washer dryers.

Check model for available functions.



Washing capacity
The large 7kg washing capacity ensures you can wash clothes with fewer loads.



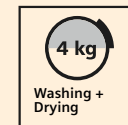
ActiveWater™
Helps to reduce water consumption thanks to a 2-step automatic load adjustment system.



Drying capacity
The 4kg drying capacity ensures you can dry clothes effectively.



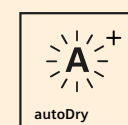
Fluff removal programme
A ten minute fluff removal cycle on washer dryers that removes fluff deposits in the machine. A light indicates when this is needed.



Washing + Drying
The continuous washing and drying cycle is suitable for loads up to 4kg. This cycle will first wash the clothes on your chosen setting and once finished, will automatically switch to drying the clothes for ease and speed.



Outdoor
Specialised programme for washing waterproof clothing with membrane technology to protect the fabric and seams. For use with outdoor fabric detergent.

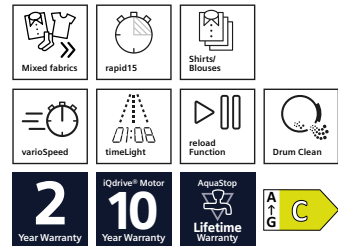


autoDry
Gently dries laundry to the exact degree of dryness you want.

Washing machines

IQ 700 WI14W502GB

Built-in washing machine
White 1400rpm spin speed



Integrated washing machine specifications

APPLIANCE TYPE	BUILT-IN WASHING MACHINES	
	IQ 700	IQ 500
Design family	WI14W502GB	WI14W302GB
Model number	WI14W502GB	WI14W302GB
Availability	Available	Available
PROGRAMMES / FUNCTIONS		
Standard Washing Programmes		
Eco 40-60	■	■
Cottons	■	■
Easy-care programme	■	■
Wool programme	■	■
Delicates/silk	■	■
Mixed fabrics	■	■
Additional Programmes		
rapid15 / rapid30	■	■
rapid60	■	-
Outdoor (waterproofing)	■	-
Shirts/blouses	■	■
Duvet	■	-
Dark Wash	■	-
Hygiene 60°C	-	■
Reduced noise wash	■	■
Spin / Drain	■	■
Rinse	■	■
Options		
Extra rinse	■	-
Prewash	■	■
Variable temperature	■	-
Variable spin	■	■
varioSpeed	■	■
ADDITIONAL FEATURES		
timeLight	■	-
iQDrive®	■	■
AquaStop	■	■
reload	■	■
Foam detection	-	-
Drum Clean	■	-
PERFORMANCE & CONSUMPTION		
Energy efficiency class ¹	A C	A C
Load capacity (kg)	1 - 8	1 - 8
Energy ² / Water ³ (kWh / litres)	62 / 45	62 / 45
Programme duration ⁴ (h:mm)	3:26	3:26
Maximum spin speed (rpm) ⁵	1400	1400
Spin efficiency class	B	B
Noise level (dB [A] re 1pW)	66	66
Noise emission class	A	A
Drum volume (litres)	55	55
TECHNICAL INFORMATION		
Dimensions of the product: H x W x D (inc. hinge and 19mm door) (cm)	81.8 x 59.6 x 54.4 (57.4)	81.8 x 59.6 x 54.4 (57.4)
Door opening angle	130°	130°
Depth with door open 90° (cm)	96	96
Height adjustable by (cm)	1.2	1.2
Length of electrical supply cord (cm)	210	210
Length of supply hose/ drain hose (cm)	220 / 220	220 / 220
Door hinge (door porthole)	Left-hand	Left-hand
Cabinet colour	White	White

■ Yes, model has this feature. - Feature not available for this model.

¹ On an energy-efficiency class scale from A to G. ² Energy consumption in kWh/100 operating cycles (using Eco 40-60 programme). ³ Water consumption in litres/operating cycle (using Eco 40-60 programme). ⁴ Duration of Eco 40-60 programme. ⁵ The specified value is rounded.

Data valid in this table as of October 2023. Subject to modification without prior notice.

Washer dryers

IQ 500 WK14D543GB

Built-in washer dryer
White 1400rpm spin speed



Integrated washer dryer specifications

APPLIANCE TYPE	BUILT-IN WASHER DRYERS	
	IQ 500	IQ 300
Design family	WK14D543GB	WK14D322GB
Model number	WK14D543GB	WK14D322GB
PROGRAMMES / FUNCTIONS		
Standard Washing Programmes		
Eco 40-60	■	■
Cottons	■	■
Easy-care programme	■	■
Wool programme	■	■
Delicates/silk	■	■
Rinse/Spin	■	■
Drain/Spin	■	■
Additional Programmes		
Hygiene	■	-
rapid15	■	-
Quiet wash	■	-
Shirts/blouses	■	-
Outdoor	■	-
Mixed fabrics	■	-
Drying programmes		
Gentle dry	■	■
Intensive dry	■	■
Fluff removal programme	■	■
Options		
flexiTime	■	■
Easy iron	■	■
Intensive	■	■
Water Plus	■	■
Rinse hold	■	■
Prewash	■	■
Variable spin / Variable temperature	■ / ■	■ / -
ADDITIONAL FEATURES		
autoDry	■	-
AquaStop	■	-
Foam detection	■	■
autoLoad	■	■
Time delay	24h	24h
PERFORMANCE & CONSUMPTION		
Energy efficiency class washing and drying ¹	A G	A G
Energy efficiency class washing ²	E	E
Energy ³ / Water ⁴ washing and drying (kWh / litres)	266 / 68	266 / 68
Energy ³ / Water ⁴ washing (kWh / litres)	77 / 44	77 / 44
Load capacity washing and drying / washing (kg)	4 / 7	4 / 7
Programme duration ⁵ washing and drying / washing (h:mm)	5:30 / 2:50	5:30 / 2:50
Spin efficiency class	B	B
Spin speed ⁶ (rpm)	1400	1400
Noise level (dB [A] re 1pW)	72	72
Noise emission class	A	A
Drum volume (litres)	52	52
TECHNICAL INFORMATION		
Dimensions of the product: H x W x D (inc. hinge and 19mm door) (cm)	82.0 x 59.5 x 56.0 (58.4)	82.0 x 59.5 x 56.0 (58.4)
Door opening angle	95°	95°
Depth with door open 90° (cm)	96	96
Height adjustable by (cm)	1.5	1.5
Length of electrical supply cord (cm)	220	220
Length of supply hose/ drain hose (cm)	200 / 200	200 / 200
Door hinge (door porthole)	Left-hand	Left-hand
Cabinet colour	White	White

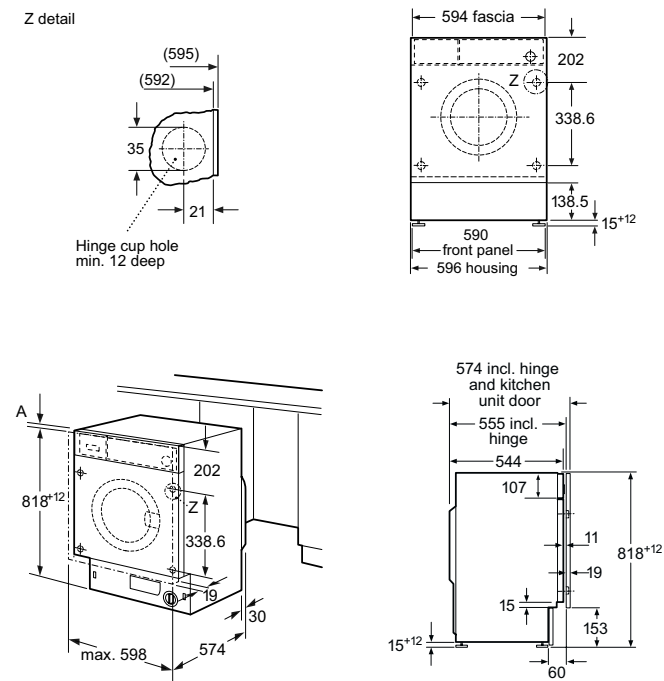
■ Yes, model has this feature. - Feature not available for this model.

^{1,2} On an energy-efficiency class scale from A to G. ³ Energy consumption in kWh/100 complete operating cycles (using Eco 40-60 programme). ⁴ Water consumption in litres/complete operating cycle (using Eco 40-60 programme). ⁵ Energy consumption in kWh/100 wash cycles (using Eco 40-60 programme). ⁶ Water consumption in litres/wash cycle (using Eco 40-60 programme). ⁷ Duration of Eco 40-60 programme, complete operating cycle / wash cycle. ⁸ The specified value is rounded.

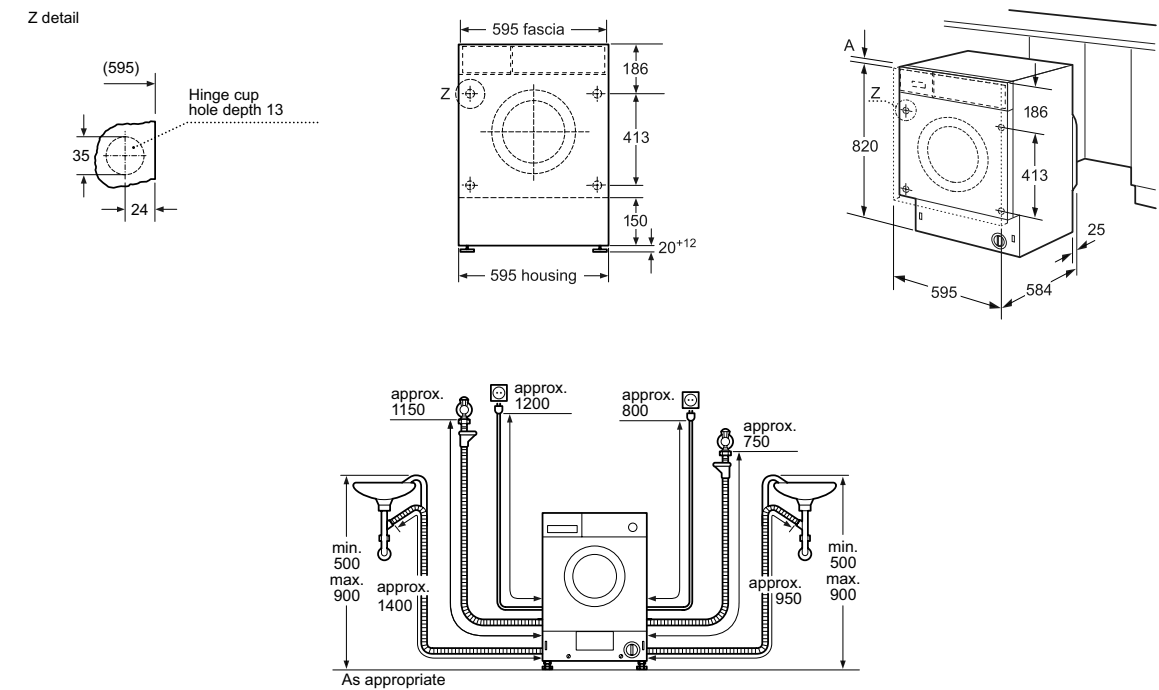
Data valid in this table as of October 2023. Subject to modification without prior notice.

Home Laundry technical diagrams

Integrated washing machines WI14W502GB and WI14W302GB



Integrated washer dryers WK14D543GB and WK14D322GB



Home laundry. Welcome to a freestanding range designed around you

Siemens freestanding washing machines, washer dryers and tumble dryers deliver outstanding results every time.

Sleek, streamlined, and stylish, Siemens freestanding home laundry appliances not only look great in your home, they perform perfectly too. With state-of-the-art technology Siemens freestanding washing machines are extremely energy efficient, easy to use, and most importantly designed to save you time and money.

All Siemens freestanding tumble dryers feature sensor drying, which provides uniform drying results, and makes over-drying a thing of the past making laundry easier and less of a chore.

Siemens freestanding washer dryers combine the innovative functions of the modern washing machines and dryers in one appliance to save effort, time and space. At the touch of a button, with their large display and clear operation, you can conveniently control both washing and drying cycles.



Freestanding
Home laundry

Siemens home laundry warranties:

5
Year Warranty

5 Year Warranty

A Siemens Five Year Warranty is available on all Siemens freestanding washing machine and tumble dryer models listed in this brochure to protect against any manufacturing and material faults and defects during this warranty period.

2
Year Warranty

2 Year Warranty

A Siemens Two Year Warranty is available on all Siemens freestanding washer dryers listed in this brochure to protect against any manufacturing and materials faults and defects during this warranty period.

iQdrive® Motor
10
Year Warranty

iQdrive® 10 Year Warranty

The iQdrive® Motor Warranty is available on all washing machines to protect against any defects to the iQdrive® motor.

AquaStop
Lifetime
Warranty

Lifetime AquaStop Warranty

Selected Siemens laundry appliances have a lifetime AquaStop warranty to protect against water damage caused by a defective AquaStop system. For models with this warranty please check the matrix.

To find out more about your warranty and for registration, please visit:
siemens-home.bsh-group.com/uk/customer-service/siemens-warranties

Laundry key features

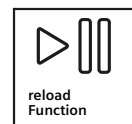


Model shown: WG56B2A1GB

Siemens laundry appliances are packed full of innovative features to make it as easy as possible to keep your clothes looking and feeling great.

Time saving programmes, targeted stainRemoval feature, reduced ironing cycles, the sensoFresh odour removal system and smart connection between the washer and dryer simplify every aspect of doing the laundry.

A new level of convenience.



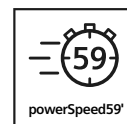
reload

The reload function allows the machine to be paused and the door opened at the next safe opportunity. It is the perfect solution when an extra item needs to be added to the load.



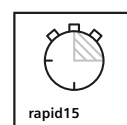
antiVibration

Having antiVibration technology built-in to the design of the machine makes the appliance more stable, which, in turn, makes it quieter.



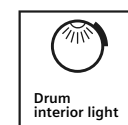
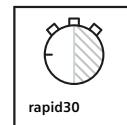
powerSpeed 59 system

With the new powerSpeed system, the laundry gets evenly soaked and heated up much faster and more consistently, for more thorough washing. Suited for up to 5kg of cottons or blended fabrics, the powerSpeed 59 result is achieved by a second pump that feeds the water into the drum at the beginning of the washing process. In parallel, the detergent is mixed with water and gets sprayed into the centre of the load, shortening the run time to only 59 minutes and increasing the wash performance.



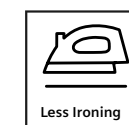
rapid15 and rapid30

What can you do in an hour? Add the laundry to your list. Need a shirt cleaning an hour before you are due to leave the house? The rapid15 and rapid30 wash, rinse and spin washing programme will save the day.



Drum interior light

The drum is lit after switching on the appliance, after opening and closing the door and after starting the programme for extra convenience. The light switches off automatically.



Less Ironing option

At the touch of a button, 'Less Ironing' can be added to a selected programme. This ensures the machine gently and evenly drains the water and reduces the spin speed, helping to keep creases to a minimum.



Outdoor

Specialised programme for washing waterproof clothing with membrane technology to protect the fabric and seams. For use with outdoor fabric detergent.



Outdoor/waterproof

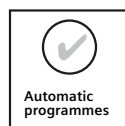
This programme can be used to apply a waterproof treatment to breathable fabrics, prolonging the life of high-quality functional clothing like winter jackets, fleeces and ski wear.



Experience effective odour removal with sensoFresh

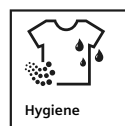
Siemens washing machines take the hassle out of doing the washing.

Our machines take full advantage of the latest technology and innovation, and are designed to make laundry less of a chore.



Automatic programmes

Whether normal or delicate items – the automatic programme's 'Auto' function adjusts the entire wash cycle to the needs of your laundry for optimum effect. Perfect for hard-wearing fabrics this mode will even add extra detergent if your washing is heavily soiled.



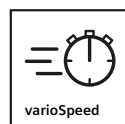
Hygienically clean laundry: The hygiene programme

The hygiene programme is particularly suitable for allergy sufferers.



Meets your highest hygiene standards: The Drum Clean programme

An automatic alert after 20 washes to run the Drum Clean programme on a 90°C or 60°C wash which keeps the appliance clean and odour free.



Get perfectly clean laundry in up to 65%* less time with varioSpeed

Available on all our washing machines, this feature can automatically detect when time can be saved. The smart sensors identify load volume and type of textile, hence adapting the washing machine's process time efficiently to suit the specific load.

*Difference between the duration of the Easy Care Programme 40°C and the duration of the Easy Care Programme 40°C in combination with the varioSpeed option.



Take a load off your mind with Home Connect.

Siemens smart washing machines with Home Connect cannot take the loading and unloading away, but they will add exciting features to give you more flexibility and choice when doing your laundry.

Optimal dosing of your detergent

i-Dos accurately dispenses detergent based on fabric type, water hardness and degree of soiling. Get more from your washing machine and optimise your intelligentDosing system with Home Connect. Simply scan your detergent and fabric softener and Home Connect will set up the ideal dosage settings perfectly, only using the exact amount of detergent needed, every time.

Match your laundry programme to your needs

Use the Home Connect app to guide your programme selection. Home Connect gives a description of each programme, and an indication of its energy and water consumption, so you can make the best decision for your needs. Home Connect also enables your washing machine and dryer to work together. Your dryer automatically chooses the right programme and the most suitable drying target based on the load washed in the washing machine.

Connected partners

With our connected partners - Amazon Alexa, Google Home and IFTTT - you can truly turn your living space into a fully connected home. You can speak to your appliance simply by asking your voice assistant. With the IFTTT app, connect your Home Connect appliance with a wider range of smart devices. Set up applets and digital commands to create bespoke solutions such as programming smart lights to flash when the laundry cycle ends.

For more information about Home Connect, visit Siemens Home UK: siemens-home.bsh-group.com/uk



Or scan the QR code to learn more about our smart laundry appliances.

Washing machine key features

Clear displays for easy selection.

With the Siemens Laundry collection, choose from TFT, Toledo LED or LED.



TFT
Operation is simple with a wide selection of programme options displayed on a high resolution TFT display.



Toledo LED
Available programme options are clearly displayed and can be selected via the full touch LED display.



LED
The large LED comfort display panel with touch buttons provides you with a full overview and makes operation effortless.

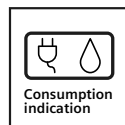
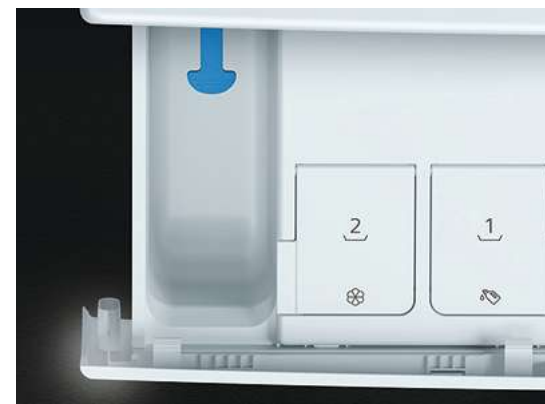


Just add laundry with i-Dos.



The i-Dos system automatically determines how much detergent is needed for each of your wash loads, based on the weight of the laundry and programme used. Saving you time, the i-Dos washing machine allows you to simply place your clothes in the drum, select your desired programme and relax. The i-Dos system uses a combination of all the sensors to automatically determine the exact amount of liquid detergent needed for each of your laundry cycles, depending on the weight of the load and what programme is being used.

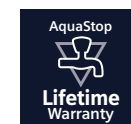
With the built-in drawer conveniently holding enough liquid detergent for around 20 washes, not only does this mean you do not have to measure and fill the container for every wash, but as the correct amount of liquid detergent is used every time, your clothes will receive the perfect wash whilst saving you time, water and detergent. The result, a hassle-free laundry and perfectly clean clothes.



Consumption indication

See which programmes use less energy and water with the consumption value indicator. This display provides information about the relative energy consumption in selected cycles. The more the indicators light up, the higher the consumption. So, if you are conscious about energy and water, this feature will help you decide which cycle to choose.

Fast and efficient washing machines with added peace of mind.



To find out more about your warranty and for registration, please visit: siemens-home.bsh-group.com/uk/customer-service/siemens-warranties

Tough on stains, gentle on your washing.



Remove tough stains without the need for specialist products or pre-washing. Keeping your life uncluttered, our specially designed autoStain removal system (ASR) takes the effort out of cleaning tough stains. Simply load your clothes in the machine, choose a wash programme, select up to 16 stain treatments* and let ASR do the rest. This saves you time and removes the need for specialist products or pre-washing.

It happens to the best of us, a stain on your favourite dress or best shirt is part of life. However, we have a solution that is going to save you time and effort when it comes to removing stubborn stains. So next time you need to remove last night's wine from your shirt sleeve or a lipstick smudge on your favourite dress, look no further than your Siemens washing machine.

Whether it is red wine or coffee, dirt or grass, blood or even cosmetics, our autoStain removal system automatically optimises the wash settings to remove individual stains from your laundry. The system eradicates the need to pre-wash stained clothes and the use of special detergents, tackling up to 16 different types of stain. The system tailors the wash according to the nature of the stain, creating the perfect balance between the mechanical drum action, water level, wash time and temperature, thus, saving you time and money on buying specialist products. Those unforeseen accidents need not ruin your clothes anymore.

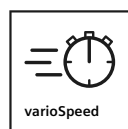
*16 stain treatments available on ASR systems with TFT displays and 4 stain treatments available on ASR systems with LED/LCD displays.

A breath of fresh air: Siemens Washer Dryers

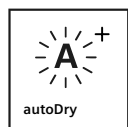
With a Siemens freestanding washer-dryer combo, you can enjoy the luxury of complete laundry care without needing a lot of space.



Model shown: WD4HU541GB



varioSpeed
Get perfectly clean laundry in up to 65%* less time. This feature can automatically detect when time can be saved. The smart sensor identifies load volume and textile kind, hence adapting the washing machine's process time efficiently to suit the specific load.



autoDry
Do not shrink away from drying with autoDry. autoDry technology prevents overheating or uneven drying. Sensors precisely measure and control the temperature and moisture of your laundry, preventing it from shrinking.

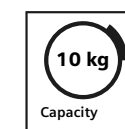
*Difference between the duration of the Easy Care Programme 40°C and the duration of the Easy Care Programme 40°C in combination with the varioSpeed option.



selfCleaning condenser (Washer Dryers and Tumble Dryer)
An automatic selfCleaning condenser is integrated into many Siemens laundry appliances helping to keep the condenser lint free. This sensor-controlled programme is intuitive and collects lint during each drying cycle. The result is a continually lint-free condenser that helps to keep energy consumption constantly low at all times. You just need to clean the fluff from the lint filter after every cycle.



Wash&Dry60
With just one push of the button, the washer dryer perfectly washes and carefully dries up to 1kg of laundry in only 60 minutes. Perfect for when you need to prepare your clothes quickly.



The 10kg washer dryer
The 10kg washer dryer model provides ultimate convenience. Ideal for families, you can achieve everything in one go with the ability to wash and dry a larger-than-average load.



smartFinish
The smartFinish programme uses gentle steam to reduce wrinkles, cutting down your ironing time. Even badly wrinkled shirts and blouses are significantly smoothed out.

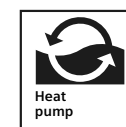


Fast and efficient washer dryers with added peace of mind.

To find out more about your warranty and for registration, please visit: siemens-home.bsh-group.com/uk/customer-service/siemens-warranties



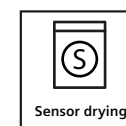
Intelligent drying: Siemens Tumble Dryers



High-performance and highly-efficient (Tumble Dryers only)

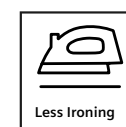
Let yourself be fascinated by the state-of-the-art technology of Siemens heat pump dryers. Heat pump dryers are condensation dryers equipped with a special heat pump technology. In contrast to classic condensation dryers, energy in the form of heat is not discharged into the environment; instead it is retained for the drying process.

Siemens heat pump dryers achieve impressive energy values and consume significantly less energy than condensation dryers. Siemens heat pump dryers can also be set up, like all condensation dryers, in multiple places within the home, since the condensed water is collected in a separate container integrated into the appliance. Alternatively, if preferred, the water can be drained out if your plumbing allows.



Sensor drying

All Siemens tumble dryers feature sensor drying, which provides uniform drying results, and makes over-drying a thing of the past. Sensors in the drum continually monitor the residual moisture in the laundry. They detect when the load has reached the selected drying level, and move the programme to the final cool-down period.



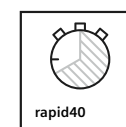
A lot less ironing

The Less Ironing option extends the anti-crease phase period at the end of the cycle by up to 120 minutes leading to fewer creases in your laundry – so you can spend less time ironing.



intelligentCleaning System

By transporting fluff through a strainer and down into a fluff depot at the bottom of the appliance, you only have to clean the filter when the sensor detects it needs emptying – instead of every cycle.



The rapid40 drying programme

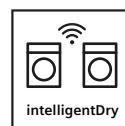
With this programme, your washing will be perfectly dry in only 40 minutes, thanks to optimised temperature control and a customised cool-down phase.



Wool or shoe drying basket

To further protect your garments and materials during the drying process, Siemens iQ500 and iQ700 tumble dryers come with a drying basket. Warm air is then passed gently around your garments, rather than tumbling them.

With the latest technology built into our appliances, Siemens offers energy-efficient and stunning looking appliances for stylish kitchens and utility spaces.



Take the guess work out of drying

Home Connect enables your washer and dryer to work together. Your dryer automatically chooses the right programme and the most suitable drying target based on the load washed in the washing machine. intelligentDry guarantees precise drying results with maximum protection. Let Home Connect do the thinking.



Stacking kit



Wool drying basket



Shoe drying basket

Stacking kits

Not only helping to stabilise your dryer on top of your washing machine, the shelf allows you to easily load or unload your dryer.

Product codes: WZ27410 (standard) / WZ27400 (with pull-out shelf).



Year Warranty



Year Warranty

State-of-the-art technology is at the heart of all Siemens tumble dryers.

To find out more about your warranty and for registration, please visit: [siemens-home.bsh-group.com/uk/customer-service/siemens-warranties](https://www.siemens-home.bsh-group.com/uk/customer-service/siemens-warranties)

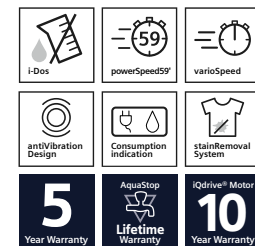
Washing machines

iQ700 WG56B2ATGB

Freestanding washing machine
Silver inox 1600rpm spin speed



Home Connect



Freestanding washing machine specifications

APPLIANCE TYPE	FREESTANDING WASHING MACHINES	
Design family	iQ700	iQ700
Model number	WG56B2ATGB	WG56B2A1GB
Colour	Silver inox	White
KEY FEATURES		
i-Dos intelligent dosing system	■	■
powerSpeed 59'	■	■
varioSpeed	■	■
Reload function	■	■
iQDrive®	■	■
antiVibration design	■	■
Consumption indicator	■	■
stainRemoval System (ASR)	■	■
ADDITIONAL FEATURES		
Variable temperature / Variable spin	■ / ■	■ / ■
Drum interior light	■	■
Display	TFT	TFT
Control panel lock	■	■
Delay start by (h)	24	24
Drum Clean programme	■	■
Water protection system	AquaStop	Aquastop
STANDARD PROGRAMMES		
Eco 40-60	■	■
Cottons	■	■
Easy Care	■	■
Mixed Fabrics	■	■
Delicate/Silk	■	■
Wool	■	■
ADDITIONAL PROGRAMMES / FUNCTIONS		
Auto programme	■	■
Hygiene	-	-
Rapid 15' / Rapid 30'	■ / ■	■ / ■
Shirts	■	■
Outdoor / Outdoor (waterproofing)	■ / -	■ / -
Dark Wash/Easy Care Plus	■	■
Lingerie	-	-
Towels	-	-
Duvet	-	-
Rinse	■	■
Spin	■	■
Drain	■	■
Spin/Drain	-	-
Prewash	■	■
Extra Rinse / Rinse hold	■ / ■	■ / ■
Water Plus	■	■
Reduced ironing / Reduced noise	■ / ■	■ / ■
Soak	■	■
Memory programmes	■	■
PERFORMANCE		
Energy efficiency class ¹	A	A
Load capacity (kg)	1-10	1-10
Energy ² / Water ³ (kWh / litres)	56 / 49	59 / 49
Programme duration ⁴ (h:mm)	3:58	3:58
Maximum spin speed (rpm) ⁵	1600	1600
Spin efficiency class	B	B
Noise level (dB [A] re 1pW)	71	71
Noise emission class	A	A
Duration of Quick Wash programme (minutes)	15/30	15/30
TECHNICAL INFORMATION		
Dimensions: H x W x D (inc. door porthole) (cm)	84.8 x 59.8 x 59.0 (63.2)	84.8 x 59.8 x 59.0 (63.2)
Door opening angle	180°	180°
Depth with door open 90° (cm)	108.5	108.5
Height adjustable by (cm)	1.2	1.2
Length of supply/drain hose (cm)	150/150	150/150
Length of mains cable (cm)	210	210
Door hinge	Left-hand	Left-hand
ACCESSORIES		
Floor securing component WX975600	■	■

■ Yes, model has this feature. - Feature not available for this model.
¹ On an energy-efficiency class scale from A to G. ² Energy consumption in kWh/100 operating cycles (using Eco 40-60 programme). ³ Water consumption in litres/operating cycle (using Eco 40-60 programme). ⁴ Duration of Eco 40-60 programme. ⁵ The specified value is rounded.
 Data valid in this table as of October 2023. Subject to modification without prior notice.

Freestanding washing machine specifications

APPLIANCE TYPE	FREESTANDING WASHING MACHINES					
Design family	iQ700	iQ500	iQ500	iQ500	iQ500	iQ300
Model number	WG44B209GB	WM14UP89GB	WG54G2F0GB	WG54G202GB	WG44G290GB	WM14NK08GB
Colour	White	White	White	White	White	White
KEY FEATURES						
i-Dos intelligent dosing system	-	■	■	-	-	-
powerSpeed 59'	■	-	■	■	-	-
varioSpeed	■	■	■	■	■	■
Reload function	■	■	■	■	■	■
iQDrive®	■	■	■	■	■	■
antiVibration design	■	■	■	■	■	■
Consumption indicator	■	■	■	■	■	-
stainRemoval System (ASR)	■	■	■	■	■	-
ADDITIONAL FEATURES						
Variable temperature / Variable spin	■ / ■	■ / ■	■ / ■	■ / ■	■ / ■	■ / ■
Drum interior light	■	■	■	■	■	■
Display	LED	LED	LED	LED	LED	LED
Control panel lock	-	■	-	-	-	■
Delay start by (h)	24	24	24	24	24	24
Drum Clean programme	■	■	■	■	■	■
Water protection system	Aquastop	Multiple water protection	Multiple water protection	Multiple water protection	Multiple water protection	Multiple water protection
STANDARD PROGRAMMES						
Eco 40-60	■	■	■	■	■	■
Cottons	■	■	■	■	■	■
Easy Care	■	■	■	■	■	■
Mixed Fabrics	■	■	■	■	■	■
Delicate/Silk	■	■	■	■	■	■
Wool	■	■	■	■	■	■
ADDITIONAL PROGRAMMES / FUNCTIONS						
Auto programme	-	■	-	-	-	-
Hygiene	■	■	■	■	■	■
Rapid 15' / Rapid 30'	■ / ■	■ / ■	■ / ■	■ / ■	■ / ■	■ / ■
Shirts	-	-	-	■	■	■
Outdoor / Outdoor (waterproofing)	■ / -	■ / ■	- / -	■ / -	■ / -	- / ■
Dark Wash / Easy Care Plus	■	■	■	■	■	■
Lingerie	-	■	-	-	■	■
Towels	-	-	-	-	■	-
Duvet	-	-	-	-	■	-
Rinse	■	■	■	■	■	■
Spin	■	■	■	■	■	-
Drain	■	■	■	■	■	■
Spin/Drain	■	■	■	■	■	■
Prewash	■	■	■	■	■	■
Extra Rinse / Rinse hold	■ / ■	- / ■	■ / ■	■ / ■	■ / ■	- / ■
Water Plus	■	■	■	■	■	-
Reduced ironing / Reduced noise	■ / ■	■ / ■	■ / -	■ / -	■ / ■	■ / -
Soak	-	■	-	-	-	-
Memory programmes	-	■	-	-	-	-
PERFORMANCE						
Energy efficiency class ¹	A	A	A	A	A	A
Load capacity (kg)	1-9	1-9	1-10	1-10	1-9	1-8
Energy ² / Water ³ (kWh / litres)	59 / 47	46 / 48	59 / 47	59 / 47	46 / 48	63 / 48
Programme duration ⁴ (h:mm)	3:59	3:48	3:59	3:50	2:48	3:35
Maximum spin speed (rpm) ⁵	1400	1400	1400	1400	1400	1400
Spin efficiency class	B	B	B	B	B	B
Noise level (dB [A] re 1pW)	69	71	74	74	71	74
Noise emission class	A	A	B	B	A	B
Duration of Quick Wash programme (minutes)	15/30	15/30	15/30	15/30	15/30	15/30
TECHNICAL INFORMATION						
Dimensions: H x W x D (inc. door porthole) (cm)	84.8 x 59.8 x 59.0 (63.2)	84.8 x 59.8 x 59.0 (63.3)	84.8 x 59.8 x 59.0 (63.2)	84.8 x 59.8 x 59.0 (63.2)	84.8 x 59.8 x 59.0 (63.6)	84.8 x 59.8 x 55.0 (60.0)
Door opening angle	171°	171°	171°	171°	165°	180°
Depth with door open 90° (cm)	106.3	165	106.3	106.3	107.3	101.7
Height adjustable by (cm)	1.2	1.2	1.2	1.2	1.2	1.2
Length of supply/drain hose (cm)	150/150	150/150	150/150	150/150	150/150	150/150
Length of mains cable (cm)	210	210	210	210	210	210
Door hinge	Left-hand	Left-hand	Left-hand	Left-hand	Left-hand	Left-hand
ACCESSORIES						
Floor securing component WX975600	■	■	■	■	■	■

■ Yes, model has this feature. - Feature not available for this model.
¹ On an energy-efficiency class scale from A to G. ² Energy consumption in kWh/100 operating cycles (using Eco 40-60 programme). ³ Water consumption in litres/operating cycle (using Eco 40-60 programme). ⁴ Duration of Eco 40-60 programme. ⁵ The specified value is rounded.
 Data valid in this table as of October 2023. Subject to modification without prior notice.

Washer dryers

Home Connect

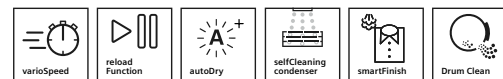


iQ700 WD4HU541GB

Freestanding washer dryer
White 1400rpm spin speed



Home Connect



Freestanding washer dryer specifications

APPLIANCE TYPE	FREESTANDING WASHER DRYER
Design family	iQ700
Model number	WD4HU541GB
Colour	White
KEY FEATURES	
iQDrive®	■
varioSpeed	■
Reload facility	■
autoDry function	■
selfCleaning Condenser	■
ADDITIONAL FEATURES	
Time delay/Time remaining	■
Control panel lock	-
Water protection system	Multiple water protection
PROGRAMMES	
smartFinish	■
Hygiene	-
rapid15	■
Wash & Dry 60 mins	■
Cottons	■
Easy-care programme	■
Wool programme	■
Delicates/ Silk	■
Intensive Dry	■
Gentle Dry	■
myTime Wash & Dry	■
myTime Dry	■
Rinse	-
Spin/ Drain	■
Memory	■
Drum Clean	■
Outdoor (Waterproofing)	■
Shirts	-
Mixed Fabrics	■
Reduced noise wash /dry	-
Reduced Ironing	■
Extra Rinse	■
Water level increase option	■
Pre wash	■
Variable Temperature/Spin	■
PERFORMANCE/TECHNICAL INFORMATION	
Energy efficiency class washing and drying ¹	A G A D
Energy efficiency class washing ²	A
Energy ³ / Water ⁴ washing and drying (kWh / litres)	307 / 74
Energy ³ / Water ⁴ washing (kWh / litres)	49 / 50
Load capacity washing and drying / washing (kg)	1-6 / 1-10
Programme duration ⁷ washing and drying / washing (h:mm)	8:00 / 3:55
Spin efficiency class	B
Spin speed ⁸ (rpm)	1400
Noise level (dB [A] re 1pW)	70
Noise emission class	A
Dimensions: H x W x D (inc. door porthole) (cm)	84.8 x 59.8 x 62.2 (64.5)
Door opening angle	165°

■ Yes, model has this feature. - Feature not available for this model.
^{1,2} On an energy-efficiency class scale from A to G.
³ Energy consumption in kWh/100 complete operating cycles (using Eco 40-60 programme).
⁴ Water consumption in litres/complete operating cycle (using Eco 40-60 programme).
⁵ Energy consumption in kWh/100 wash cycles (using Eco 40-60 programme).
⁶ Water consumption in litres/wash cycle (using Eco 40-60 programme).
⁷ Duration of Eco 40-60 programme, complete operating cycle / wash cycle.
⁸ The specified value is rounded.
Data valid in this table as of October 2023. Subject to modification without prior notice.



Freestanding washer dryer specifications

APPLIANCE TYPE	FREESTANDING WASHER DRYERS	
Design family	iQ500	iQ300
Model number	WN44G290GB	WN34A1U8GB
Colour	White	White
KEY FEATURES		
iQDrive®	■	■
varioSpeed	■	■
Reload facility	■	■
autoDry function	■	■
selfCleaning Condenser	■	■
ADDITIONAL FEATURES		
Time delay/Time remaining	■	■
Control panel lock	■	■
Water protection system	Multiple water protection	aquaSecure
PROGRAMMES		
smartFinish	■	-
Hygiene	-	■
rapid15	■	■
Wash & Dry 60 mins	■	■
Cottons	■	■
Easy-care programme	■	■
Wool programme	■	■
Delicates/ Silk	■	■
Intensive Dry	■	■
Gentle Dry	■	■
myTime Wash & Dry	-	-
myTime Dry	■	■
Rinse	■	■
Spin/ Drain	■	■
Memory	-	-
Drum Clean	-	-
Outdoor (Waterproofing)	■	-
Shirts	-	■
Mixed Fabrics	■	■
Reduced noise wash /dry	-	-
Reduced Ironing	■	■
Extra Rinse	-	-
Water level increase option	-	-
Pre wash	■	■
Variable Temperature/Spin	■	■
PERFORMANCE/TECHNICAL INFORMATION		
Energy efficiency class washing and drying ¹	A G C A D	A G C A D
Energy efficiency class washing ²	C	C
Energy ³ / Water ⁴ washing and drying (kWh / litres)	372 / 84	313 / 70
Energy ³ / Water ⁴ washing (kWh / litres)	64 / 41	63 / 41
Load capacity washing and drying / washing (kg)	1-6 / 1-9	1-5 / 1-8
Programme duration ⁷ washing and drying / washing (h:mm)	7:45 / 3:45	7:30 / 3:32
Spin efficiency class	B	B
Spin speed ⁸ (rpm)	1400	1400
Noise level (dB [A] re 1pW)	69	70
Noise emission class	A	A
Dimensions: H x W x D (inc. door porthole) (cm)	84.8 x 59.8 x 59.0 (63.5)	84.8 x 59.8 x 59.0 (63.0)
Door opening angle	165°	165°

■ Yes, model has this feature. - Feature not available for this model.
^{1,2} On an energy-efficiency class scale from A to G.
³ Energy consumption in kWh/100 complete operating cycles (using Eco 40-60 programme).
⁴ Water consumption in litres/complete operating cycle (using Eco 40-60 programme).
⁵ Energy consumption in kWh/100 wash cycles (using Eco 40-60 programme).
⁶ Water consumption in litres/wash cycle (using Eco 40-60 programme).
⁷ Duration of Eco 40-60 programme, complete operating cycle / wash cycle.
⁸ The specified value is rounded.
Data valid in this table as of October 2023. Subject to modification without prior notice.

Tumble dryers

Home Connect



iq700 WQ46B2CXGB

Freestanding tumble dryer
Silver inox



Home Connect



Freestanding tumble dryer specifications

APPLIANCE TYPE	FREESTANDING TUMBLE DRYER
Design family	iq700
Model number	WQ46B2CXGB
Colour	Silver inox
KEY FEATURES	
Home Connect	■
Heat pump	■
smartFinish	■
intelligentDry	■
easyClean filter	-
selfCleaning condenser	■
intelligentCleaning system	■
antiVibration design	■
ADDITIONAL FEATURES	
Sensor drying	■
Display	LED
Anti-crease cycle (mins)	120
Time delay / Time Remaining	■
Drum interior light	■
Water container full / Blocked filter warning indicator	■ / ■
Control panel lock	■
PROGRAMMES / FUNCTIONS	
Cotton	■
Easy Care	■
Mixed Fabrics	■
Allergy Plus / Hygiene	■
Lingerie	Via APP
Wool Finish	-
Wool in drying basket (model includes drying basket)	■
Towels	■
Rapid 40 min	■
Jeans	-
Shirts	■
Bed Linen	■
Down Wear	-
Duvet	■
Pillows	-
Outdoor	■
Time programme cold	■
Time programme warm	■
Reduced ironing	■
Memory programme	■
PERFORMANCE	
Energy efficiency class	A+++
Capacity cotton (kg)	9
Condensation efficiency class	B
Condensation efficiency for standard cotton programme – Full and partial load	91%
Noise level (dB [A] re 1pW)	59
TECHNICAL INFORMATION	
Dimensions: H x W x D (inc. door porthole) (cm)	84.2 x 59.8 x 59.9 (63.4)
Door opening angle	180°
Depth with door open 90° (cm)	110.5
Height adjustable by (cm)	1.5
Length of mains cable (cm)	145
Door hinge	Right-hand reversible
Can be used with drain set	■
Drain set included	■
Compatible Stacking Kit (Standard / Pull out shelf)	WZ27510 / WZ27500
OPTIONAL ACCESSORIES FOR TUMBLE DRYERS	
Cover plate	WZ20290
Stacking kit	WZ2750X
Stacking kit with pullout shelf	WZ2751X

■ Yes, model has this feature. - Feature not available for this model.

The programme cotton cupboard dry used at full and partial loads is the standard drying programme to which the information on the energy label refers. This is the most efficient programme in terms of energy consumption for cotton. Annual consumption is based on 160 drying cycles.
Data valid in this table as of October 2023. Subject to modification without prior notice.

Home Connect



Freestanding tumble dryer specifications

APPLIANCE TYPE	FREESTANDING TUMBLE DRYERS		
	iq700	iq500	iq300
Design family	WQ46B2C9GB	WQ45G209GB	WT45N203GB
Model number	White	White	White
Colour			
KEY FEATURES			
Home Connect	■	-	-
Heat pump	■	■	-
smartFinish	■	■	-
intelligentDry	■	■	-
easyClean filter	-	-	■
selfCleaning condenser	■	■	-
intelligentCleaning system	■	■	-
antiVibration design	■	■	■
ADDITIONAL FEATURES			
Sensor drying	■	■	■
Display	LED	LED	LED
Anti-crease cycle (mins)	120	120	120
Time delay / Time Remaining	■ / ■	■ / ■	■ / ■
Drum interior light	■	■	■
Water container full / Blocked filter warning indicator	■ / ■	■ / ■	■ / ■
Control panel lock	■	-	■
PROGRAMMES / FUNCTIONS			
Cotton	■	■	■
Easy Care	■	■	■
Mixed Fabrics	■	■	■
Allergy Plus / Hygiene	■	-	■
Lingerie	Via APP	■	■
Wool Finish	-	■	■
Wool in drying basket (model includes drying basket)	■	■	-
Towels	■	■	-
Rapid 40 min	■	■	■
Jeans	-	-	-
Shirts	■	■	■
Bed Linen	■	-	-
Down Wear	-	■	-
Duvet	■	■	-
Pillows	■	■	-
Outdoor	■	■	■
Time programme cold	-	-	■
Time programme warm	■	■	■
Reduced ironing	■	■	■
Memory programme	-	■	-
PERFORMANCE			
Energy efficiency class	A+++	A++	B
Capacity cotton (kg)	9	9	8
Condensation efficiency class	B	B	B
Condensation efficiency for standard cotton programme – Full and partial load	91%	86%	88%
Noise level (dB [A] re 1pW)	59	64	63
TECHNICAL INFORMATION			
Dimensions: H x W x D (inc. door porthole) (cm)	84.2 x 59.8 x 59.9 (65.2)	84.2 x 59.8 x 61.3 (64.8)	84.2 x 59.8 x 61.3 (65.1)
Door opening angle	180°	165°	175°
Depth with door open 90° (cm)	110.5	109.6	110.5
Height adjustable by (cm)	1.5	2	1.5
Length of mains cable (cm)	145	179.5	145
Door hinge	Right-hand reversible	Right-hand	Right-hand
Can be used with drain set	■	■	■
Drain set included	■	■	■
Compatible Stacking Kit (Standard / Pull out shelf)	WZ27510 / WZ27500	WZ27410 / WZ27400	WZ11410 / WZ20400
OPTIONAL ACCESSORIES FOR TUMBLE DRYERS			
Cover plate	WZ20290	WZ20290	WZ20290
Stacking kit	WZ27510	WZ27410	WZ11410
Stacking kit with pullout shelf	WZ27500	WZ27400	WZ20400

■ Yes, model has this feature. - Feature not available for this model.

The programme cotton cupboard dry used at full and partial loads is the standard drying programme to which the information on the energy label refers. This is the most efficient programme in terms of energy consumption for cotton. Annual consumption is based on 160 drying cycles.
Data valid in this table as of October 2023. Subject to modification without prior notice.

Our award-winning customer service team



Dedicated Siemens Service
With our dedicated team of trained and qualified engineers available across the United Kingdom*, each having undergone over 400 hours of training, you can be confident that your Siemens appliances are in the safest of hands.

Total Excellence + Quality Winner 2023

Domestic & General

Customer service.

Trust Siemens Customer Service to help you with the following:

- Offer product advice on using your appliance or help with choosing a new Siemens appliance.
- Register your appliances and extend the warranty.
- Arrange a repair for your appliance by a Siemens engineer.*
- Locate and buy replacement spare parts and accessories.

You can call us on: **UK: 0344 892 8999** **IE: 01450 2655**
For opening hours, please visit our website.

Calls are charged at the basic rate, please check with your telephone service provider for exact charges.

* In some areas of the UK and Ireland we use selected and approved service partners to carry out repairs on our behalf where the repair price and process may vary.

Repair service.

Total Excellence + Quality Winner 2023

Domestic & General

If your Siemens appliance needs a repair, we are here to help. Our team of locally based engineers are employed and trained by Siemens, which gives them unrivalled knowledge and expertise to repair our appliances.*

You can easily book, and manage your engineer visit online or via our call centre (see left for contact details).

Book or manage a repair online at:
UK: www.siemens-home.bsh-group.com/uk/customer-service/repair
IE: www.siemens-home.bsh-group.com/ie/customer-service/repair

Warranties and Registration

Register my appliance

Siemens recommends that you register all home appliances to ensure you can be easily contacted in the event of an important product update. For more information about registering appliances of all brands, please visit: www.registermyappliance.org.uk

2 Year Warranty
All Siemens home appliances have a Siemens Two Year Manufacturer's Warranty as standard to protect against manufacturing or material faults and defects during this warranty period.

To register call: **UK: 0800 519 2116** **IE: 01230 0344**
Or register online: **UK: www.siemens-home.bsh-group.com/uk** **ROI: www.siemens-home.bsh-group.com/ie**

5 Year Warranty
A Siemens Five Year Warranty is available on selected models to protect against any manufacturing and material faults and defects during this warranty period.

To register call: **UK: 0344 892 8999** **IE: 01450 2655**
Or register online: **UK: www.siemens-home.bsh-group.com/uk** **IE: www.siemens-home.bsh-group.com/ie**

10 Year Compressor Drive Warranty
Available on all Siemens fridges and freezers, this warranty covers defects in the compressor motor.

10 Year Anti-Rust Warranty for Dishwashers
Protects against rust in the inner cavity of the appliance during this warranty period. Applies to all Siemens dishwasher appliances only.

10 Year iQdrive® Motor Warranty
Protects against manufacturing or material faults and defects to the iQdrive motor only during this warranty period. Applies to selected Siemens laundry appliances only.

Lifetime AquaStop Warranty
A lifetime warranty to protect against water damage caused by a defective AquaStop system. Applies to selected Siemens laundry and dishwasher appliances only.



Online help.

Prefer to receive help online?
Siemens offers a comprehensive range of online services in the high quality you have come to expect. Our online support allows you to familiarise yourself with your appliance, find user manuals, browse FAQ's, get useful tips and have full control over your engineer booking.

Visit our online customer service portal at:
UK: www.siemens-home.bsh-group.com/uk/customer-service/
IE: www.siemens-home.bsh-group.com/ie/customer-service/

Spare parts.



Siemens keeps a comprehensive range of replacement spare parts for up to 15 years. You can browse our exploded view diagrams on our store or speak to an advisor on the phone to help you locate and buy the spare parts you need.

Shop spare parts online at:
UK: www.siemens-home.bsh-group.com/uk/shop/search-parts
IE: www.siemens-home.bsh-group.com/ie/shop/search-parts

Online shop.

Accessories and cleaning products.
You can find everything you need for any appliance on the Siemens online store. It is where you will find our tested and approved cleaning and care products to keep your appliances working at their best, along with other accessories ranging from a water filter for your fridge, to a Teppan Yaki grill plate for your hob.

Shop online at:
UK: www.siemens-home.bsh-group.com/uk/shop
IE: www.siemens-home.bsh-group.com/ie/shop

Models shown on front left to right:

HM778GMB1B single oven, **CT718L1B0** coffee machine, **BI710C1B1B** warming drawer,
CM778GNB1B compact oven, **BI710C1B1B** warming drawer.

Siemens, a division of BSH Home Appliances Ltd,
Grand Union House,
Old Wolverton Road, Wolverton,
Milton Keynes, MK12 5PT
Tel: 0344 892 9040

siemens-home.bsh-group.com/uk

Showroom
Siemens London,
Home of studioLine,
14 Wigmore Street,
London, W1U 2RE
Tel: 0330 134 3100
Email: SiemensLondon@Siemens-Home.BSH-Group.com

BSH Home Appliances Ltd,
M50 Business Park,
Ballymount,
Dublin 12
Tel: 1890 626041

siemens-home.bsh-group.com/ie

Disclaimer

This brochure is current as from the publication date and supersedes all previous brochures for these products. Whilst BSH Home Appliances Ltd believes that all information contained within this brochure is correct at the time of going to print, no representation or warranty, express or implied, is or will be made and no responsibility or liability is or will be accepted by BSH Home Appliances Ltd in relation to the accuracy or completeness of this information and any liability is expressly disclaimed. To the extent permitted by law, BSH Home Appliances Ltd expressly excludes: i) all conditions, warranties and other terms which might otherwise be implied by statute, common law or the law of equity and ii) any liability for any direct, indirect or consequential loss or damage (including, without limitation, damages for loss of business or loss of profits) arising in contract, tort or otherwise from the use of or reliance on any information contained within this brochure or from any action or decision taken as a result of such use or reliance. BSH Home Appliances Ltd reserves the right to modify technical data and all other information contained within this brochure without notice. All rights reserved.

No part of this publication may be reproduced in any form or without the prior written permission of BSH Home Appliances Ltd.

This brochure should not be regarded as an infallible guide nor as an offer of sale for a particular product.

Due to variables in the reproduction process, colours of actual products may vary slightly from those depicted. We recommend a visit to a Siemens dealer to confirm that specifications and colours are to your satisfaction.

Valid from October 2023
SIEMBIFS2023



SIEMENS

Siemens Home Appliances