

Invented for life



BOSCH

Built-in & Freestanding product brochure 2025



Who are Bosch?



“I have always acted according to the principle that it is better to lose money than trust. The integrity of my promises, the belief in the value of my products and in my word of honour have always had a higher priority to me than a transitory profit.”

Robert Bosch, 1921

For over 130 years, the Bosch name has been synonymous with engineering excellence. Our home appliances are renowned for their quality, reliability and performance which derives from our inherent, unwavering commitment and the painstaking thoroughness with which every unit is made. As you would expect from Bosch, there are no gimmicks or frills with our products – just pure, clean lines and beautiful, functional simplicity that will enhance any kitchen.

The values that shaped Robert Bosch’s vision for his new company in 1886 are the same principles that guide the business today; never lose the trust of your customers, look after your staff and partners and change things for the better. It’s what has kept Bosch at the forefront of the home appliance industry and what will keep it there in the future.

Follow us to learn more on:



Contents

Customer service	2-3	Hoods installation guide & accessories	52-54	Dishwashers	94-109
Home Connect	4-5			Introducing the Bosch dishwasher range	94-95
Ovens	6-27			60cm freestanding dishwashers	96-99
Introducing the Bosch oven range	6-9	Island hoods	55	45cm & compact freestanding dishwashers	100
Wireless Multi-Point Meat Probe	10	Glass draft hoods	56	60cm built-in dishwashers	101-106
Single ovens	11-13	Ceiling hoods	57	45cm built-in dishwashers	107
Double ovens	14-15	Wall mounted hoods	58	Dishwasher installation guide & accessories	108-109
Compact ovens	16-17	Angled hoods	59-60		
Microwave ovens	18-21	Glass chimney hoods	61	Refrigeration	110-139
Warming drawers	22	Box chimney hoods	62-63	Introducing the Bosch refrigeration range	110-111
Smart coffee centre	23	Pyramid chimney hoods	64-65	Multi door refrigeration	112-115
Ovens installation guide & accessories	24-27	Angled glass, ceiling, glass draft, box chimney installation guide	66-67	Freestanding refrigeration	116-125
				Built-in refrigeration	126-133
Hobs	28-49			Wine coolers	134-135
Introducing the Bosch hob range	28-29	Integrated hoods	68-69	Refrigeration installation guide & accessories	136-139
Venting hobs	30-34	Canopy hoods	70		
Flex Induction hobs	35-36	Telescopic hoods	71	Small appliances	140-143
Induction hobs	37-39	Integrated & built-under hoods	72	Vacuum cleaners	140-141
Flex Induction & Induction installation guide & accessories	40-41	Canopy, telescopic, integrated & built-under hoods installation guide	73	Food preparation	142
				Coffee machines	143
Electric hobs	42-43	Laundry	74-93	Kettles & toasters	143
Gas hobs	44-48	Introducing the Bosch laundry range	74-77		
Gas hobs installation guide	49	Microplastic filter	78		
		Freestanding washing machines	79-81		
Hoods	50-73	Freestanding washer dryers	82-85		
Introducing the Bosch hood range	50-51	Freestanding tumble dryers	86-89		
		Introducing the built-in Bosch laundry range	90-91		
		Laundry installation guide & accessories	92-93		



Award-winning Customer Service



In 2024, Bosch was awarded for the tenth time Domestic & General's Total Excellence & Quality award which is given to manufacturers based on customer surveys following the repair.

Trust Bosch Customer Service to help you with the following:

- Troubleshooting support and arranging a repair for your Bosch appliance
- Accessing your Bosch appliance's instruction manual and other documentation
- Registering your Bosch appliance and extending its warranty further
- Locating and purchasing spare parts, accessories and care products
- Support with product advice and choosing a new Bosch appliance

Visit us online at:

UK: www.bosch-home.co.uk/customer-service
Ireland: www.bosch-home.ie/customer-service

Call us on:

UK: 0344 892 8979
Ireland: 01450 2655

Our contact centre opening times are available on our website. Calls are charged at the basic rate. Please check with your telephone service provider for exact charges.

Online Help and Support

You can visit our website for help and support with appliance troubleshooting, usage and maintenance, installation, getting started, helpful videos, and more.

Visit us online at:

UK: www.bosch-home.co.uk/customer-service/get-support
Ireland: www.bosch-home.ie/customer-service/get-support

Repair Service

Our trained and qualified engineers repair large Bosch appliances at your home and small Bosch appliances in our workshop, and they are based locally around the UK. In some areas of the UK we use selected and approved service partners to carry out repairs on our behalf.

You can book a repair by calling our customer service team or alternatively you can book a repair online.

Visit us online at:

UK: www.bosch-home.co.uk/customer-service/repair-service
Ireland: www.bosch-home.ie/customer-service/repair-service

Warranty

All Bosch appliances are supplied with a Two Year Manufacturer's Warranty as standard, but did you know that you can also extend this warranty to a total of five years for added peace of mind with the Bosch Extended Warranty?

Learn more about your appliance's warranty and options to extend your warranty by speaking to our customer service team, or visit our website for more information. From time to time, Bosch may present additional warranties on either products or defined components of a product which are time limited offers, to check if your product qualifies, please contact us, or go online at

UK: <https://www.bosch-home.co.uk/customer-service/warranty>
Ireland: <https://www.bosch-home.ie/customer-service/warranty>

Accessories and Care

We offer a range of tested and approved cookware, accessories and care products to enhance your Bosch appliances and keep them working at their best for longer.

Shop online at:

UK: <https://www.bosch-home.co.uk/store>
Ireland: <https://www.bosch-home.ie/store>

Spare Parts

Bosch keeps a comprehensive range of original replacement spare parts for up to 15 years for large appliances and up to 10 years for small appliances*. You can browse our exploded view diagrams and purchase spare parts on our website, or you can call our customer service team who can help you to find and purchase the spare parts you need.

*Exact duration may vary per model. Bosch Home Appliances must have been manufactured after 1st January 2023.

Find spare parts online at:

UK: <https://www.bosch-home.co.uk/customer-service/spare-parts-search>
Ireland: <https://www.bosch-home.ie/customer-service/spare-parts-search>

Register your 2 & 5 year warranty*

What's in it for you:

- Quick access to customer service and support.
- Convenient access to your warranty certificate.
- Enjoy exclusive online offers when you opt-in.
- Stay on top of safety updates for your appliance.

Register online



UK



IE

Register by telephone*



UK: 0344 892 8979



IE: 01450 2655

*Calls are charged at the basic rate. Check with your telephone provider for more information.

Bosch appliances with Home Connect are designed to fit seamlessly into your routine. They provide you with a simple solution to get the most out of your appliances and give you the comfort of control from wherever you are.

Whether that be automatic replenishment, expert help on choosing the best cycle for your clothes and the environment, or voice control when your hands are full. Home Connect is the perfect personalisation solution.



When all is said and done

Use voice control with Amazon Alexa or Google Home for a quicker and more convenient way to get things done. Great for multi-tasking, when you're away from the kitchen or when your hands are full.



Personalise your control

Monitor the progress of your appliances from the comfort of your sofa via your smartwatch, smartphone or ask for updates using voice control with Alexa or Google Home.

Simple to set up, simple to use.

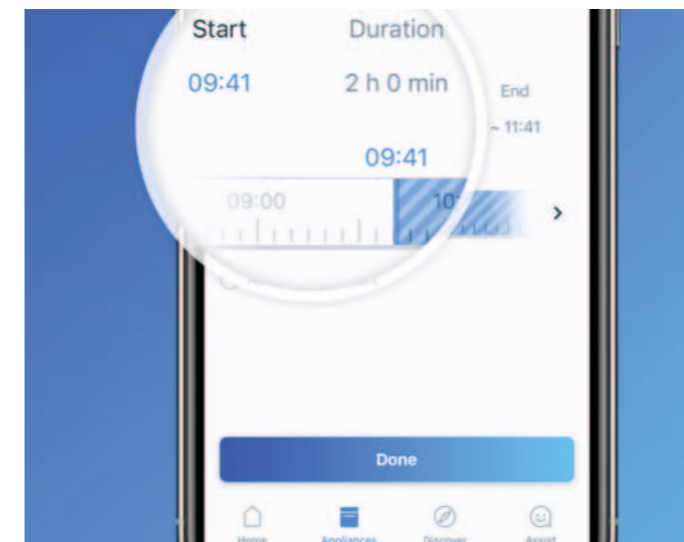
There's no need to worry if you're not a technical genius. The Bosch Home Connect app is simple and straightforward to set up. You'll also find lots of useful articles to help you get the most out of your appliances and learn new skills.

If you do need a helping hand, you can call our Customer Service team on: **0344 892 8979** or email **info.uk@Home-Connect.com**.

You can trust us.

Home Connect uses the same security protocol as online banking, so you can enjoy extra peace of mind when you're using your Bosch appliances. All of our Home Connect appliances are Wi-Fi certified by the Wi-Fi Alliance.

Look out for the Home Connect logo for more information on Home Connect features



Home Connect

Optimise your energy usage with Home Connect

The Bosch Home Connect app can help you be energy efficient. Use your smartphone, smartwatch or voice assistant to control the start time of your appliances down to the minute, so you can avoid using energy at peak times and wash your dishes for less*.

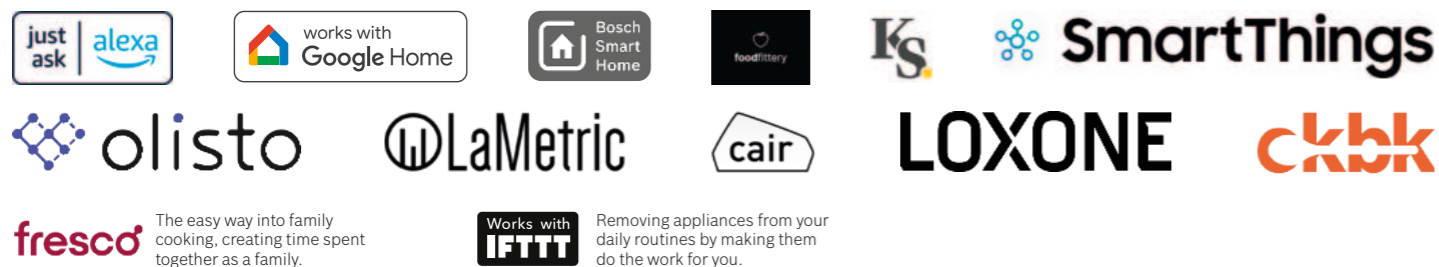
*Cost will depend on your energy provider and contract. Available on selected models only.

Never run out of dishwasher tablets again

Avoid running out of dishwasher tablets by linking your smart dishwasher to the Smart Finish service and automatically receive your tablets to your door when you're running low.



Home Connect | in partnership with



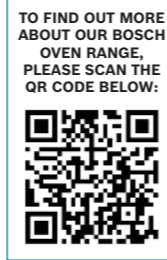
Why not try the app?

Experience it yourself by downloading the free Bosch Home Connect app. You can test the app with demo appliances to get to grips with the features.



Home Connect is a service offered by Home Connect GmbH. For more information on Home Connect please visit www.bosch-home.co.uk

Whatever kind of cook you are, we have a range of smart and stylish built-in single or double ovens for you to choose from. Serve up vitamin-packed meals using one of our innovative steam ovens or, if limited on space, our easy-to-use microwaves and compact appliances will bring style and function to any kitchen.



Series 8

With their impressive technology, elegant design and sensor-controlled programmes, our **Series 8** ovens meet every need and more in the kitchen. The innovative control wheel provides full control over your dishes at all times.



Model shown: HBG7784B1

Series 6

If you need that extra bit of cooking capacity but don't have the space for two single ovens, choose our **Series 6** double oven. You won't need to compromise on features either, with **Pyrolytic Cleaning** in both cavities and various other easy to use programmes to suit different meals.



Model shown: MBA578BS7B

Series 4

Modern design, quality engineering and practicality. Our **Series 4** oven range looks stunning inside and out. Easy to use functionality with a selection of cooking programmes to choose from, now available in a stylish all-black design.



Model shown: HQA574BB3B

Compact ovens with microwave



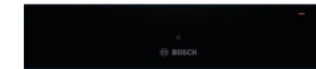
Model shown: CMG778NB1

Compact microwave combination ovens



Model shown: CMA583MB0B

Warming drawers



Model shown: BIC510NB0

Built-in coffee machine



Model shown: CTL7181B0

Cooking appliances can be arranged both horizontally and vertically, depending on the space you have in your kitchen.

Combination design.

Using the highest quality stainless steel and glass, our ovens and compact appliances combine beautifully to deliver a timeless, elegant and stylish finish to any kitchen with sleek, coordinated lines and matching panels.

Combination possibilities.

Create seamless lines in your kitchen with our Series ranges by combining a single oven together with one of our compact appliances and warming drawers. For the optimum in design co-ordination, choose appliances belonging to the same Series family to create harmonious lines in your kitchen.

Selecting the right oven and combination for your kitchen.

Whether you're designing a new kitchen or simply updating one of your appliances, we have a wide variety of cooking products available for you to choose from. Depending on the space you have in your kitchen, you can choose from a single product or a combination of products.

Single ovens



Model shown: HBG7784B1

Double ovens



Model shown: MBA578BS7B

Double built-under ovens



Model shown: NBS533BS0B

Compact steam ovens



Model shown: CSG7584B1

Cooking functions explained.

Check model for available functions.



4D Hotair

Place your food on any of the four shelf levels to achieve consistently perfect results: thanks to the fan wheel that heats evenly on every level.



3D Hotair

By maintaining the right temperature across three shelf levels, consistently even cooking results are achieved.



Pyrolytic Cleaning

Heats the oven up to burn dirt and grease to dust so it can be wiped away easily.



Eco Clean Direct

Almost no cleaning is necessary thanks to a special coating of the rear wall that automatically absorbs grime.



Added Steam

Produces succulent roasts, with juicy meats and crispy skins, as well as breads with the perfect colour and crust.



PerfectBake Plus

Perfect Bake Plus is a humidity controlled baking sensor that measures the moisture level of dishes. This automatically regulates the baking process.



Air Fry Function

Use the Air Fry Function for healthier, tastier and crispier meals with hardly any oil. Perfect for anything from vegetables to poultry. Recommended with Air Fry & Grill Tray, see page 26.



PerfectRoast meat probe

Three highly sensitive measuring points determine the core temperature of your food to the exact degree, guaranteeing perfect roasting results and taking away the guesswork.

(Available in selected Series 8 models only)



Defrost

Gently defrosts food evenly and quicker than it would take on the kitchen counter.



Perfect results at your fingertips.

Check model for available functions.

TO FIND OUT MORE ABOUT OUR OVEN RANGE, PLEASE SCAN THE QR CODE BELOW:



The easy way to healthy cooking results.

With their impressive technology, elegant design and crystal clear TFT touchDisplay, our Series 8 ovens meet all your culinary needs and more. The innovative Digital Control Ring engraved into the glass with TFT touchDisplay, provides convenience and functionality with full control over your dishes at all times. Thanks to our sensor-controlled programmes, you'll also achieve perfect results every time.

Digital Control Ring with TFT touchDisplay

Clear, vivid images and info texts in the inner ring of the engraved

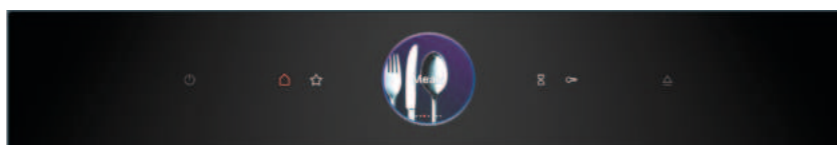
Digital Control Ring assists you through each step, supported by the high-resolution, plain-text TFT touchscreen and integrated, directly selectable buttons.



Digital Control Ring with TFT touchDisplay Plus

Clear, vivid images and info texts in the inner ring of the engraved Digital

Control Ring assists you through each step, supported by the full-surface, high-resolution, plain-text TFT touchscreen and directly selectable buttons.



Digital Control Ring with TFT touchDisplay Pro

Clear, vivid images and info texts in the inner ring of the engraved Digital

Control Ring assists you through each step, supported by the 6.8-inch full-surface, high-resolution, plain-text TFT touchscreen and directly selectable buttons.



Perfect Steam

A precise sensor constantly measures the humidity level in the oven cavity and automatically regulates the steaming process, ensuring that the right level of water is used and turned to steam. Achieve the best steaming results with Perfect Steam.



Steam Function Plus

Steams at a temperature of up to 120°C, so your dishes are cooked faster and retains even more of their vitamins and nutrients. For example, green beans and carrots are ready up to 50% faster*. Broccoli cooked using Steam Function Plus retains up to 54% more nutrients, while potatoes retain up to 25% more Vitamin C**.



PerfectBake

PerfectBake sensor offers precise sensitivity and constantly measures the moisture level of dishes, as well as automatically regulating the baking process.



PerfectRoast meat probe

Three highly sensitive measuring points determine the core temperature of your food to the exact degree, guaranteeing perfect roasting results and taking away the guesswork.



Air Fry Function

Use the Air Fry Function for healthier, tastier and crispier meals with hardly any oil. Perfect for anything from vegetables to poultry. Recommended with Air Fry & Grill Tray, see page 26.



Pyrolytic Cleaning

Heats the oven up to burn dirt and grease to dust so it can be wiped away easily.

Soft open & soft close

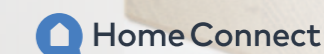
A special damping mechanism prevents oven doors from slamming shut. As you gently push the door shut, it stops just before closing and then shuts itself gently and quietly, thus guaranteeing a long life for both your oven and the oven door.

Level independent telescopic rails

Designed to clip to the standard factory fitted shelf support rails, that come as standard on selected models, they can be positioned independently on any of the 5 oven shelf positions in the main cavity in our Series 8 ovens.

Oven Assistant

Find the perfect cooking programme, settings and duration for your dish every time with Bosch Home Connect's Oven Assistant. Search for your dish and ensure your meal is cooked to perfection using the optimal programme.



For full specification details, please log onto our website and download a full specification sheet.

*Steam Functions Plus compared to 100°C Steam, BSH laboratory test.
**Steam Function Plus compared to cooking in boiled water, University of Hohenheim test results 5/2022 and 10/2022.

Roast to the point of perfection.

Single ovens



The PerfectRoast every time with our new Wireless Multi-Point Meat Probe.
By accurately tracking the core temperature of your dish, whether it's meat or fish, the Wireless Multi-Point Meat Probe alerts you when the target temperature is reached and can even automatically switch off your oven.

Model shown: HEZ32WA0, Oven for illustration purposes



Model shown: HEZ32WA0
Oven for illustration purposes

The **four sensors** give you accurate core temperature readings, so you can achieve perfect doneness every time.

Connects via **Bluetooth** to the Bosch Home Connect app, allowing you to monitor and even automatically switch off the oven from anywhere.

Get **alerts to your smartphone** when your dish is perfectly cooked, taking the guesswork out of cooking.

Designed to work seamlessly with your oven, hob, outdoor grill, and is ideal for roast beef, fish, or poultry.

Water resistant for hassle-free use and effortless cleaning, ideal for home cooks. For more information, please see page 41.



Model shown: HEZ32WA0



OVEN TYPE	PYROLYTIC	PYROLYTIC WITH MICROWAVE FUNCTION	PYROLYTIC WITH ADDED STEAM	PYROLYTIC
DESIGN FAMILY	SERIES 8	SERIES 8	SERIES 8	SERIES 8
BRUSHED STEEL	-	-	-	-
BLACK	HBG7784B1	HMG7764B1B	HRG7764B1B	HBG7764B1B
WHITE	-	-	-	-
KEY FEATURES				
Control Wheel, TFT Touchdisplay & ClearText	Pro	Plus	Plus	Plus
Touch control	•	•	•	•
Soft close / Soft Open drop down door	•	•	•	•
Home Connect	•	•	•	•
Bosch Assist	•	•	•	•
PerfectBake Sensor	•	•	•	-
Automatic cooking programmes	14	20	20	14
PerfectRoast multi-point temperature probe	•	•	•	-
Perfect steam	-	-	•	-
Added steam	-	-	•	-
Pyrolytic self cleaning function	•	•	•	•
ADDITIONAL PROGRAMMES / FUNCTIONS				
Air Fry	•	•	•	•
Hotair: 3D / 4D	4D	4D	4D	4D
Conventional top & bottom heat / Bottom heat only	•/•	•/•	•/•	•/•
Hotair / Conventional / Top & bottom heat Gentle	•/•/-	•/•/•	•/•/-	•/•/-
Hotair grilling	•	•	•	•
Full width / Half width variable grill	•/•	•/•	•/•	•/•
Pizza Setting / Intensive Heating	•/•	•/•	•/•	•/•
Low temperature cooking	•	•	•	•
Defrost	•	•	•	•
Keep warm / Plate warming	•/•	•/•	•/•	•/•
Steam Boost function	-	-	•	-
Steam function plus	-	-	•	-
Crisp function	-	•	•	-
Dehydrate	-	-	-	-
Fast heat	•	•	•	•
PERFORMANCE / TECHNICAL INFORMATION				
Oven capacity (L)	71	67	71	71
Energy efficiency index (%) ¹	81.2	81.2	81.2	81.2
Energy efficiency class ¹	A+	A+	A+	A+
Energy consumption per cycle Hotair (kWh) ¹	0.69	0.69	0.69	0.69
Energy consumption per cycle conventional (kWh) ¹	0.87	0.87	0.87	0.87
Time to cook standard load (mins.) ¹	42	42	42	42
Largest baking sheet area (cm ²)	1290	1290	1290	1290
Total connected loading (W)	3600	3600	3600	3600
Cable length (cm)	120	120	120	120
Water tank capacity (L)	-	-	1	-
STANDARD ACCESSORIES				
Wire Shelves / Full width enamelled pan	2/1	2/1	2/1	2/1
Level Independent telescopic rail	-	-	-	-

• = yes - = no
¹According to Regulation (EU) No 65/2014 (models with integral microwave or steam only are exempt)

All models comply with COMMISSION REGULATION (EC) No 1275/2008 with regard to ecodesign requirements for standby and off mode electric power consumption.



OVEN TYPE	PYROLYTIC	STANDARD	STANDARD	STANDARD
DESIGN FAMILY	SERIES 8	SERIES 8	SERIES 8	SERIES 8
BRUSHED STEEL	-	-	-	-
BLACK	HBG7741B1B	HSG7584B1	HSG7364B1B	HBG7341B1B
WHITE	-	-	-	-
KEY FEATURES				
Control Wheel, TFT Touchdisplay & ClearText	●	Pro	Plus	●
Touch control	●	●	●	●
Soft close / open drop down door	●	●	●	●
Home Connect	●	●	●	●
Bosch Assist	●	●	●	●
PerfectBake Sensor	-	●	●	-
Automatic cooking programmes	14	23	21	14
PerfectRoast multi-point temperature probe	-	●	●	-
Perfect steam	-	●	●	-
Added steam	-	●	●	-
Pyrolytic self cleaning function	●	-	-	-
Eco Clean Direct®	-	●	●	●
ADDITIONAL PROGRAMMES / FUNCTIONS				
Air Fry	●	●	●	●
Hotair: 3D / 4D	3D	4D	4D	3D
Conventional top & bottom heat / bottom heat only	●/●	●/●	●/●	●/●
Hotair / Conventional / Top & bottom heat Gentle	●/●/-	●/●/●	●/●/●	●/●/-
Hotair grilling	●	●	●	●
Full width / Half width variable grill	●/●	●/●	●/●	●/●
Pizza Setting / Intensive Heating	●/-	●/●	●/●	●/-
Low temperature cooking	●	●	●	●
Defrost	●	●	●	●
Keep warm / Plate warming	●/●	●/●	●/●	●/●
Steam Boost function	-	●	●	-
Steam function plus	-	●	●	-
Crisp function	-	●	●	-
Dehydrate	-	●	-	-
Fast heat	●	●	●	●
PERFORMANCE / TECHNICAL INFORMATION				
Oven capacity (L)	71	71	71	71
Energy efficiency index ¹	81.2	81.2	81.2	81.2
Energy efficiency class ¹	A+	A+	A+	A+
Energy consumption per cycle Hotair (kWh) ¹	0.69	0.69	0.69	0.69
Energy consumption per cycle conventional (kWh) ¹	0.87	0.87	0.87	0.87
Time to cook standard load (mins.) ¹	42	42	42	42
Largest baking sheet area (cm ²)	1290	1290	1290	1290
Total connected loading (W)	3600	3600	3600	3600
Cable length (cm)	120	120	120	120
Water tank capacity (L)	-	1	1	-
STANDARD ACCESSORIES				
Wire Shelves / Full width enamelled pan	2/1	2/1	2/1	2/1
Level Independent telescopic rail	-	-	-	-

● = yes - = no

¹According to Regulation (EU) No 65/2014 (models with integral microwave or steam only are exempt)

OVEN TYPE	PYROLYTIC	STANDARD	STANDARD
DESIGN FAMILY	SERIES 4	SERIES 4	SERIES 2
BRUSHED STEEL	HQA574BS3B	HQA534BS3B	HHF133BS0B
BLACK	HQA574BB3B	HQA534BB3B	-
WHITE	-	HQA534BW3B	-
KEY FEATURES			
Control Wheel, TFT Touchdisplay & ClearText	-	-	-
Control dials / White LCD or Red LED Display	● / Red	● / Red	● / Red
Electronic control	●	-	-
Soft Close / Soft Open drop down door	-	-	-
Home Connect	-	-	-
Bosch Assist	-	-	-
PerfectBake Sensor	-	-	-
Automatic cooking programmes	10	-	-
PerfectRoast multi-point temperature probe	-	-	-
Single-point temperature probe	-	-	-
Added steam	●	●	●
Pyrolytic self cleaning function	●	-	-
Eco Clean® back / roof / side surfaces	- / - / -	● / - / -	● / - / -
ADDITIONAL PROGRAMMES / FUNCTIONS			
Hotair: 3D / 4D	3D	3D	3D
Conventional top & bottom heat / bottom heat only	●/●	●/●	●/-
Hotair / Conventional Gentle	●/●	●/●	●/-
Hotair grilling	●	●	●
Full width / Half width variable grill	●/-	●/-	●/-
Pizza Setting / Intensive Heating	●/-	●/-	-/-
Low temperature cooking	-	-	-
Defrost	-	-	-
Keep warm / Plate warming	-/-	-/-	-/-
Dehydrate	-	-	-
Fast heat	●	●	●
PERFORMANCE / TECHNICAL INFORMATION			
Oven capacity (L)	71	71	71
Energy efficiency index ¹	95.3	81.2	81.2
Energy efficiency class ¹	A+	A+	A+
Energy consumption per cycle Hotair (kWh) ¹	0.81	0.69	0.69
Energy consumption per cycle conventional (kWh) ¹	0.99	0.99	0.99
Time to cook standard load (mins.) ¹	50	46	46
Largest baking sheet area (cm ²)	1290	1290	1290
Total connected loading (W)	2990	2990	2990
Cable length (cm)	120	120	120
Water tank capacity (L)	-	-	-
STANDARD ACCESSORIES			
Wire Shelves / Full width enamelled pan	2/1	2/1	2/1
Ergonomic container	1	1	1
Extendible telescopic shelves	-	-	-
Level Independent telescopic rail	-	-	-

● = yes - = no

¹According to Regulation (EU) No 65/2014 (models with integral microwave or steam only are exempt)

5 year warranty - Offer dates: 01.04.25 - 31.03.26. T&C's apply. Online registration required. Selected models only.



OVEN TYPE	BUILT-IN DOUBLE		BUILT-IN DOUBLE	
DESIGN FAMILY	SERIES 6		SERIES 4	
BRUSHED STEEL	MBA578BS7B		MBA533BS3B	
BLACK	-		MBA533BB3B	
WHITE	-		-	
KEY FEATURES	Main	2nd	Main	2nd
Control dials / White LCD or Red LED Display	● / White	- / -	● / Red	- / -
Electronic control	●	●	-	-
Automatic cooking programmes	30	-	-	-
Pyrolytic Cleaning	●	●	-	-
Eco Clean® back / roof / side surfaces	- / - / -	- / - / -	● / - / -	- / - / -
ADDITIONAL PROGRAMMES / FUNCTIONS	Main	2nd	Main	2nd
3D Hotair	●	-	●	-
Hotair Gentle	●	-	●	-
Defrost	●	-	-	-
Pizza Setting	●	-	●	-
Conventional top & bottom heat / bottom heat only	● / ●	● / ●	● / -	● / -
Full width variable grill	●	●	●	●
Half width variable grill	-	●	-	●
Hotair grilling	●	-	●	-
Low temperature cooking	●	-	-	-
Keep warm	●	-	-	-
Fast heat	●	-	●	-
PERFORMANCE / TECHNICAL INFORMATION	Main	2nd	Main	2nd
Oven capacity (L)	71	34	71	34
Energy efficiency index ¹	95.3	120.3	95.3	120.3
Energy efficiency class ¹	A	B	A	B
Energy consumption per cycle Hotair (kWh) ¹	0.81	-	0.81	-
Energy consumption per cycle conventional (kWh) ¹	1.02	0.83	1.02	0.83
Time to cook standard load (mins.) ¹	44	44	44	44
Largest baking sheet area (cm ²)	1290		1290	
Total connected loading (W)	6300		5900	
STANDARD ACCESSORIES				
Wire Shelves / Full width enamelled pan	3 / 1		3 / 1	
Two-piece slim pan set	-		-	
Level Independent telescopic rail	-		-	

● = yes - = no
¹ According to Regulation (EU) No 65/2014 (models with integral microwave or steam only are exempt)

OVEN TYPE	BUILT-IN DOUBLE		BUILT-UNDER DOUBLE	
DESIGN FAMILY	SERIES 2		SERIES 4	
BRUSHED STEEL	MHA133BR0B		NBS533BS0B	
BLACK	-		NBS533BB0B	
WHITE	-		-	
KEY FEATURES	Main	2nd	Main	2nd
Control dials / White LCD or Red LED Display	● / Red	- / -	● / Red	- / -
Electronic control	-	-	-	-
Automatic cooking programmes	-	-	-	-
Pyrolytic Cleaning	-	-	-	-
Eco Clean® back / roof / side surfaces	● / - / -	- / - / -	● / - / -	- / - / -
ADDITIONAL PROGRAMMES / FUNCTIONS	Main	2nd	Main	2nd
3D Hotair	●	-	●	-
Hotair Gentle	●	-	●	-
Defrost	-	-	-	-
Pizza Setting	-	-	●	-
Conventional top & bottom heat / bottom heat only	- / -	● / -	● / -	● / -
Full width variable grill	-	●	●	●
Half width variable grill	-	●	-	●
Hotair grilling	-	-	●	-
Low temperature cooking	-	-	-	-
Keep warm	-	-	-	-
Fast heat	-	-	●	-
PERFORMANCE / TECHNICAL INFORMATION	Main	2nd	Main	2nd
Oven capacity (L)	71	34	47	34
Energy efficiency index ¹	95.3	120.3	94.7	120.3
Energy efficiency class ¹	A	B	A	B
Energy consumption per cycle Hotair (kWh) ¹	0.81	-	0.71	-
Energy consumption per cycle conventional (kWh) ¹	1.02	0.83	0.80	0.83
Time to cook standard load (mins.) ¹	44	44	45	44
Largest baking sheet area (cm ²)	1290		1290	
Total connected loading (W)	5900		5300	
STANDARD ACCESSORIES				
Wire Shelves / Full width enamelled pan	2 / 1		2 / 1	
Two-piece slim pan set	-		-	
Level Independent telescopic rail	-		-	

● = yes - = no
¹ According to Regulation (EU) No 65/2014 (models with integral microwave or steam only are exempt)



OVEN TYPE	COMPACT OVEN WITH STEAM	COMPACT OVEN WITH STEAM	COMPACT PYROLYTIC OVEN WITH MICROWAVE	COMPACT PYROLYTIC OVEN WITH MICROWAVE
DESIGN FAMILY	SERIES 8	SERIES 8	SERIES 8	SERIES 8
BRUSHED STEEL	-	-	-	-
BLACK	CSG7584B1	CSG7361B1	CMG778NB1	CMG7761B1B
KEY FEATURES				
Control Wheel, TFT Touchdisplay & ClearText	Pro	Plus	Pro	Plus
Control dials / White LCD or Red LED Display	-	-	-	-
Touch control	●	●	●	●
Soft Close / Soft Open drop down door / Left open hinge	●/●/-	●/●/-	●/●/-	●/●/-
Home Connect	●	●	●	●
Bosch Assist	●	●	●	●
Automatic cooking programmes	23	21	22	10
Pyrolytic self cleaning function	-	-	●	●
Eco Clean Direct*	●	●	-	-
PROGRAMMES / FUNCTIONS				
Air Fry	●	●	●	●
Hotair / 2D / 3D / 4D	4D	4D	4D	4D
Hotair Gentle	●	●	●	●
Conventional top & bottom heat / Bottom heat only	●/●	●/●	●/●	●/●
Hotair grilling	●	●	●	●
Full / half width variable grill	●/●	●/●	●/●	●/●
Pizza Setting	●	●	●	-
Low temperature cooking	●	-	●	-
Keep warm / Plate warming	●	-	-	-
Microwave	-	-	●	●
Microwave combined with Hotair / Grill	-	-	●	●
Perfect steam	●	-	-	-
100% steam	●	●	-	-
Added Steam	●	●	-	●
Steam Boost function	●	●	-	-
Steam function plus	-	-	-	-
Crisp function	●	-	●	-
Dehydrate	●	●	-	-
Fast heat	●	●	-	●
PERFORMANCE / TECHNICAL INFORMATION				
Oven capacity (L)	47	47	45	45
Largest baking sheet area (cm ²)	1290	1290	1290	1290
Maximum Microwave Power in W3 / No. of power levels	-	-	900	900
Turntable diameter (mm)	-	-	-	-
Total connected loading (W)	3300	3300	3600	3600
Cable length (cm)	150	150	150	150
Water tank capacity (L)	1	1	-	-
STANDARD ACCESSORIES				
Wire Shelves / Full width enamelled pan	1 / 1	1 / 1	2 / 1	2 / 1
Steam trays	2	2	-	-

OVEN TYPE	COMPACT OVEN WITH MICROWAVE	COMPACT OVEN WITH MICROWAVE	MICROWAVE COMBINATION OVEN
DESIGN FAMILY	SERIES 8	SERIES 8	SERIES 4
BRUSHED STEEL	-	-	CMA583MS0B
BLACK	CMG7361B1B	CMG7241B1B	CMA583MB0B
KEY FEATURES			
Control Wheel, TFT Touchdisplay & ClearText	Plus	●	-
Control dials / White LCD or Red LED Display	-	-	● / Red
Touch control	●	●	●
Soft Close / Soft Open drop down door / Left open hinge	●/●/-	●/●/-	-
Home Connect	●	●	-
Bosch Assist	●	●	-
Automatic cooking programmes	20	16	15
Pyrolytic self cleaning function	-	-	-
Eco Clean* back / roof / side surfaces	● / - / -	● / - / -	-
PROGRAMMES / FUNCTIONS			
Air Fry	●	●	-
Hotair / 2D / 3D / 4D	4D	2D	●
Hotair Gentle	●	●	-
Conventional top & bottom heat / Bottom heat only	●/●	●/●	-
Hotair grilling	●	●	●
Full / half width variable grill	●/●	●/●	● / -
Pizza Setting	●	-	●
Low temperature cooking	●	-	-
Keep warm / Plate warming	- / -	- / -	- / -
Microwave	●	●	●
Microwave combined with Hotair / Grill	●/●	●/●	●
Perfect steam	-	-	-
Added Steam	-	-	-
Steam Boost function	●	-	-
Steam function plus	-	-	-
Crisp function	-	-	-
Dehydrate	-	-	-
Fast heat	-	-	●
PERFORMANCE / TECHNICAL INFORMATION			
Oven capacity (L)	45	45	44
Largest baking sheet area (cm ²)	1290	1290	-
Maximum Microwave Power in W3 / No. of power levels	900	900	900
Turntable diameter (mm)	-	-	360
Total connected loading (W)	3600	3600	3350
Cable length (cm)	150	150	180
Water tank capacity (L)	-	-	-
STANDARD ACCESSORIES			
Wire Shelves / Full width enamelled pan	2 / 1	2 / 1	2 wire racks
Steam trays	-	-	-

● = yes - = no
 * Measured according to the EN50304: 65/2014
 † For further information on inverter technology, please go to www.bosch-home.co.uk/https://media3.bosch-home.com/Documents/MCDOC03402966_BOSCH_microwave_details_19.pdf
 ‡ For Inverter models, the maximum setting offers a time limited boost option for heating liquids. To ensure optimal results and to protect the appliance, the microwave power output is reduced in stages over the first few minutes down to the next power level (600W). After a cooling period, the microwave boost option will be available once more.
 Ovens with integral microwave – When teamed with a single oven, Bosch compact ovens with microwave offer a great alternative to a double oven if you require more space for traditional cooking. Designed first and foremost to function as an oven, with construction, features and functions identical to a traditional single oven, these models benefit from the addition of microwaves at low medium power (max 360W) to deliver oven-led combination cooking, which speeds up the cooking process while retaining traditional cooking results.
 Microwave Combination Ovens – These models are designed to provide more functionality than a solo microwave oven, focussing on combination cooking, with the microwave using higher power (max. 600W) to lead the cooking process, supported by Hotair or grill functions to deliver speedy crisp and browned results. Based around a more traditional microwave functionality these models offer the perfect solution if regular microwave heating is the priority, but with the back-up of separate or combination Hotair cooking and grill functionality if required. These models are designed to operate best in combination mode, so when heating using microwave only, it may be necessary to adjust cooking times.

● = yes - = no



OVEN TYPE	MICROWAVE	MICROWAVE	MICROWAVE
DESIGN FAMILY	SERIES 8	SERIES 8	SERIES 4
BRUSHED STEEL	-	-	BFL553MS0B
BLACK	CEG732XB1B	BFL7221B1B	BFL553MB0B
WHITE	-	-	-
KEY FEATURES			
Control Wheel, TFT Display	●	●	-
Control dials / White LCD or Red LED Display	-	- / White	● / Red
Stainless steel interior	●	●	●
Left hinged door	-	●	●
Automatic programmes	10	7	7
Electronic door opening	-	-	●
Memory function	-	-	1
Microwave	●	●	●
Microwave and Grill Combination operation	-	-	-
PERFORMANCE / TECHNICAL INFORMATION			
Useable oven capacity (L)	36	21	25
Inverter technology ¹	-	-	-
Maximum microwave power (W) ²	1000	1220	900
Number of microwave power levels	5	5	5
Microwave distribution	-	-	Turntable
Turntable diameter (mm)	-	-	315
Total connected loading (W)	3010	1220	1450
Cable length (cm)	150	175	130
GB plug	-	●	●
Installation in tall housing	-	●	●
STANDARD ACCESSORIES			
Glass pan	-	-	-
Wire rack	1	-	-

● = Yes - = No

OVEN TYPE	MICROWAVE	MICROWAVE
DESIGN FAMILY	SERIES 4	SERIES 2
BRUSHED STEEL	BFL523MS0B	-
BLACK	BFL523MB0B	BFL523MS3B
WHITE	-	-
KEY FEATURES		
Control Wheel, TFT Display	-	-
Control dials / White LCD or Red LED Display	● / Red	● / Red
Stainless steel interior	●	●
Left hinged door	●	●
Automatic programmes	7	7
Electronic door opening	●	-
Memory function	1	1
Microwave	●	●
Quartz grill	-	-
Microwave and Grill Combination operation	-	-
PERFORMANCE / TECHNICAL INFORMATION		
Useable oven capacity (L)	20	17
Inverter technology ¹	-	-
Maximum microwave power (W) ²	800	800
Number of microwave power levels	5	5
Microwave distribution	Turntable	Turntable
Turntable diameter (mm)	255	245
Total connected loading (W)	1270	1270
Cable length (cm)	130	130
GB plug	●	●
Installation in tall housing	●	-
Installation 60cm wide wall unit	●	-
Installation 50cm wide wall unit	-	●
STANDARD ACCESSORIES		
Glass pan	-	-
Wire rack	-	-

● = Yes - = No

¹ For further information on inverter technology, please go to https://media3.bosch-home.com/Documents/MCDOC03402966_BOSCH_microwave_details_19.pdf

² For Inverter models, the maximum setting offers a time limited boost option for heating liquids. To ensure optimal results and to protect the appliance, the microwave power output is reduced in stages over the first few minutes down to the next power level (600W). After a cooling period, the microwave boost option will be available once more.

Ovens with integral microwave – When teamed with a single oven, Bosch compact ovens with microwave offer a great alternative to a double oven if you require more space for traditional cooking. Designed first and foremost to function as an oven, with construction, features and functions identical to a traditional single oven, these models benefit from the addition of microwaves at low medium power (max 360W) to deliver oven-led combination cooking, which speeds up the cooking process while retaining traditional cooking results. Microwave Combination Ovens – These models are designed to provide more functionality than a solo microwave oven, focussing on combination cooking, with the microwave using higher power (max. 600W) to lead the cooking process, supported by Hotair or grill functions to deliver speedy crisp and browned results. Based around a more traditional microwave functionality these models offer the perfect solution if regular microwave heating is the priority, but with the back-up of separate or combination Hotair cooking and grill functionality if required. These models are designed to operate best in combination mode, so when heating using microwave only, it may be necessary to adjust cooking times.



Capacity
20L



Capacity
20L



Capacity
20L



Capacity
20L

OVEN TYPE	MICROWAVE OVEN	MICROWAVE OVEN	MICROWAVE OVEN WITH GRILL
DESIGN FAMILY	SERIES 2	SERIES 2	SERIES 2
MODEL	FFL023MS2B	FEL023MS2B	FFL023MW0B
DESIGN			
Electronic controls	•	•	•
Control Dial	•	•	•
Retractable control dial	1	1	1
Push buttons	•	•	•
Left hinged door	•	•	•
Door Open Button	•	•	•
FEATURES			
Electronic clock timer	Red LED	Red LED	Red LED
Interior lights	1 standard	1 standard	1 standard
Max. 99 minute timer	•	•	•
Max. 60 minute timer	-	-	-
Stainless steel interior	-	-	-
Laquered interior	•	•	•
Glass turntable	•	•	•
PROGRAMMES / FUNCTIONS			
Microwave	•	•	•
Quartz grill	-	•	-
Microwave and Grill Combination operation	-	•	-
Microwave / grill combination programmes	-	1	-
Automatic programmes	7	8	7
Memory function	1	1	1
PERFORMANCE / TECHNICAL INFORMATION			
Cavity dimensions (HxWxDmm)	180 x 280 x 300	180 x 280 x 300	180 x 280 x 300
Useable oven capacity (L)	20	20	20
Microwave distribution	Turntable	Turntable	Turntable
Turntable diameter (mm)	270	270	270
Maximum microwave power (W)	800	800	800
Number of microwave power levels	5	5	5
Grill power (W)	-	1000	-
Voltage (V)	230 - 240	230 - 240	230 - 240
Total connected loading (W)	1270	1270	1270
Cable length (cm)	130	130	130
GB plug	•	•	•
STANDARD ACCESSORIES			
Wire rack	-	1	-
Turntable	1	1	1

• = Yes - = No

OVEN TYPE	MICROWAVE OVEN
DESIGN FAMILY	SERIES 2
MODEL	FFL020MS2B
DESIGN	
Electronic controls	-
Control Dial	•
Retractable control dial	-
Push buttons	-
Left hinged door	•
Door Open Button	•
FEATURES	
Electronic clock timer	-
Interior lights	1 standard
Max. 99 minute timer	-
Max. 60 minute timer	•
Stainless steel interior	-
Laquered interior	•
Glass turntable	•
PROGRAMMES / FUNCTIONS	
Microwave	•
Quartz grill	-
Microwave and Grill Combination operation	-
Microwave / grill combination programmes	-
Automatic programmes	-
Memory function	-
PERFORMANCE / TECHNICAL INFORMATION	
Cavity dimensions (HxWxDmm)	180 x 280 x 300
Useable oven capacity (L)	20
Microwave distribution	Turntable
Turntable diameter (mm)	270
Maximum microwave power (W)	800
Number of microwave power levels	5
Grill power (W)	-
Voltage (V)	230 - 240
Total connected loading (W)	1270
Cable length (cm)	130
GB plug	•
STANDARD ACCESSORIES	
Wire rack	-
Turntable	1

• = Yes - = No



OVEN TYPE	WARMING DRAWER	WARMING DRAWER	WARMING DRAWER
DESIGN FAMILY	SERIES 8	SERIES 8	SERIES 6/4
STAINLESS STEEL	-	-	BIC510NS0B
BLACK	BID7101B1B	BIC7101B1B	BIC510NB0
KEY FEATURES			
Keep warm	•	•	•
Plate warming	•	•	•
Defrost	•	•	•
Low temperature cooking	•	•	-
Operating indicator light	White	White	Red
Electronic control	•	•	-
Rotary temperature control dial	-	-	•
Number of settings	4	4	3
Maximum temperature (°C)	80	80	80
Minimum temperature (°C)	30	30	40
Maximum loading (plates)	40	12	14
Maximum loading (espresso cups)	192	64	64
Toughened glass drawer base	•	•	-
Anti slip mat	-	-	•
Push-Pull opening mechanism	•	•	•
PERFORMANCE / TECHNICAL INFORMATION			
Drawer interior volume (L)	54	20	23
Maximum weight capacity (kg)	25	25	15
Install independently	•	•	•
Install with a compact appliance	Series 8	Series 8	Series 6/4
Install with a single oven	Series 8	Series 8	Series 6/4
Installation in a tall housing	•	•	•
Installation under work surface	•	•	•
Nominal voltage (V)	220-240	220-240	220-240
Total connected loading (W)	820	820	400
Cable length (cm)	175	175	150
GB plug	•	•	•

• = Yes - = No

All models comply with COMMISSION REGULATION (EC) No 1275/2008 with regard to ecodesign requirements for standby and off mode electric power consumption.

Smart Coffee Centre

Your very own barista

When you take your coffee seriously, your coffee machine needs to be seriously impressive. With the Bosch Home Connect enabled Coffee Centre, you get your very own virtual barista, skilled at producing delicious coffees from all over the world.

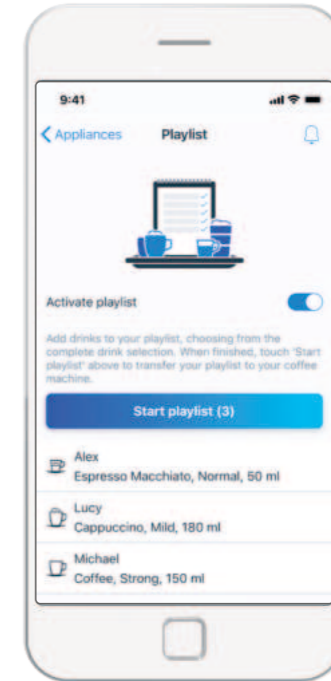
Using Coffee World, built into the Bosch Home Connect app, you are able to create almost twenty superb drinks and international favourites at the touch of a button. Make your kitchen your new favourite coffee shop.

Playlist

Making drinks for lots of people? There's no need to memorise the list. Simply create a Coffee Playlist on the Bosch Home Connect app so everyone can select their favourite drink.



Your coffee machine will make them all, one by one, at your command. You can even add selections from Coffee World for added luxury.



Your coffee, your way

Replicating your perfect cup of coffee can sometimes feel impossible. Bosch Home Connect now makes creating the perfect coffee easier than ever. Simply save your perfect coffee as a favourite in the Bosch Home Connect app to access it in one touch from your smartphone. Then sit back and let the machine take over. Treat yourself to the cup of coffee you know and love.



Pair with a Bosch warming drawer for seamless design next to a full-sized single oven.

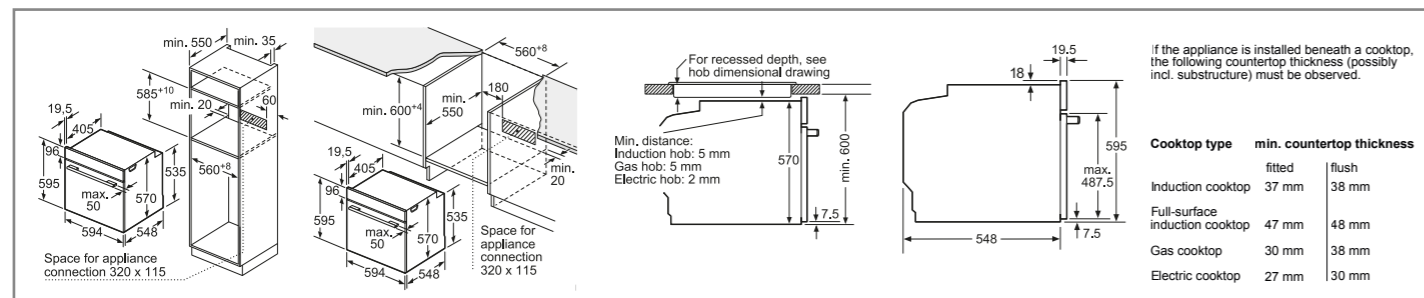
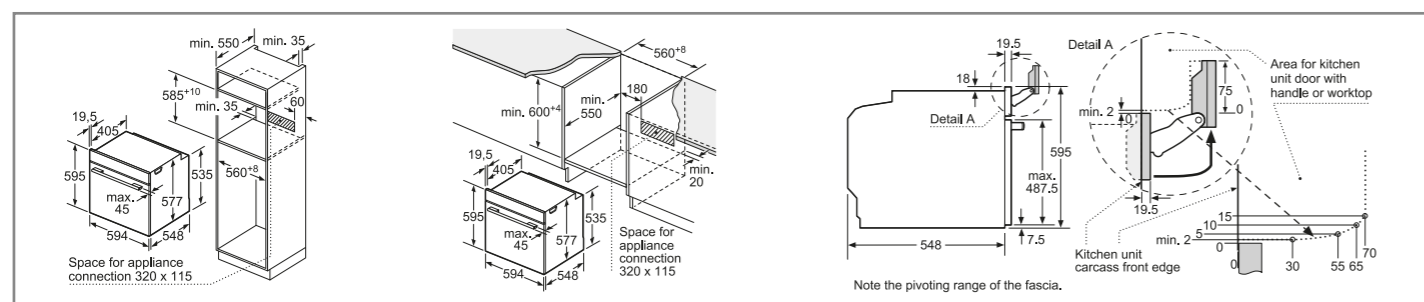


OVEN TYPE	COFFEE CENTRE
DESIGN FAMILY	SERIES 8
MODEL	CTL7181B0
KEY FEATURES	
Control Wheel, TFT Display	Pro
Home Connect	•
Electronic control	•
Senso Flow System	•
Aroma pressure system	•
Auto Valve System	•
Ceramic coffee grinders	•
Multilevel grinding setting	•
Cup illumination	•
Height adjustable milk / coffee outlet (cm)	7-15
Adjustable automatic switch off setting	•
Integrated water filter	•
PROGRAMMES / FUNCTIONS	
Personalised milk beverage, milk foam, hot water, warm milk, ristretto, coffee, espresso, cappuccino, latte macchiato, cafe latte, espresso macchiato	•
One touch function for milk drinks	•
Coffee / hot water temperature options	3/4
Milk foam/frothing function	•
Hot milk function	•
Cleaning / de-scaling / combined programmes	•
Automatic rinse when switched on/off	•
PERFORMANCE / TECHNICAL INFORMATION	
Bean container capacity (g)	400
Ground coffee container	•
Water tank capacity (L)	2.4
Total connected loading (W)	1500
Cable length (in cm)	170

• = Yes - = No

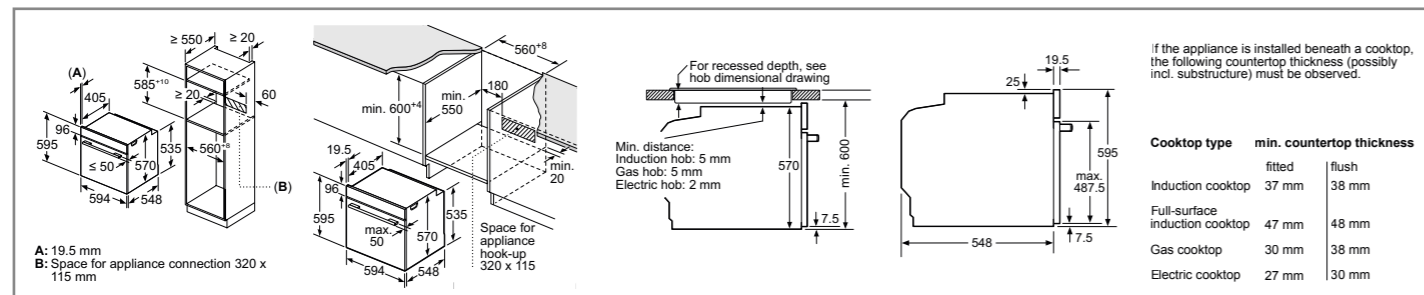
Ovens technical diagrams

Single ovens



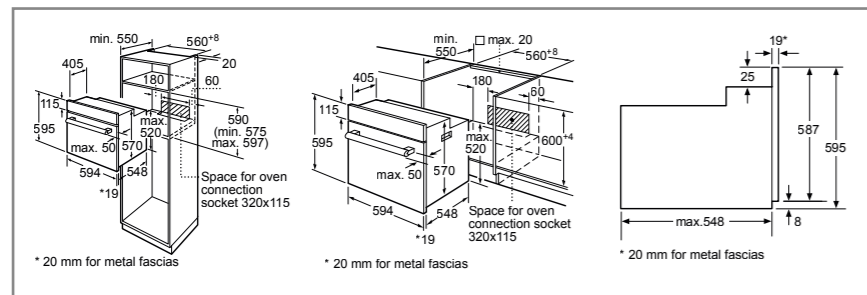
Single ovens

HBG7784B1, HMG7764B1, HRG7764B1, HBG7764B1, HBG7741B1, HSG7584B1, HSG7364B1, HBG7341B1



Single ovens

HRS574BS0B, HBS573BS0B, HBS573BB0B, HRS534BS0B, HBS534BS0B, HBS534BB0B, HBS534BW0B

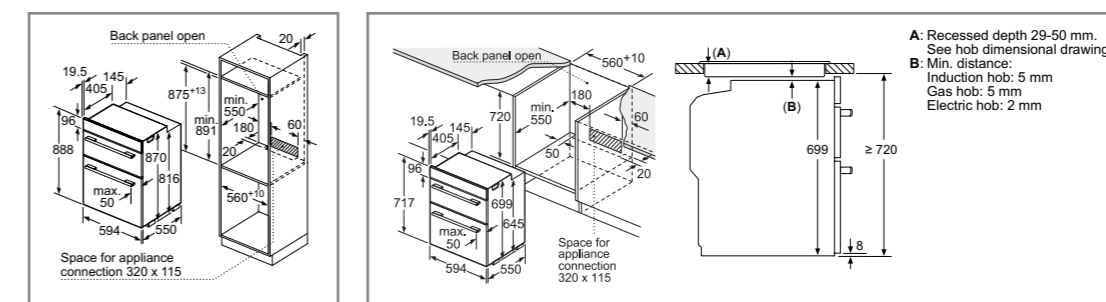


Series 2 single ovens

HHF113BR0B, HHF113BA0B

Built-in, built-under and compact appliances technical diagrams

Built-in and built-under double ovens, compact ovens, compact steam ovens, compact microwave combination oven

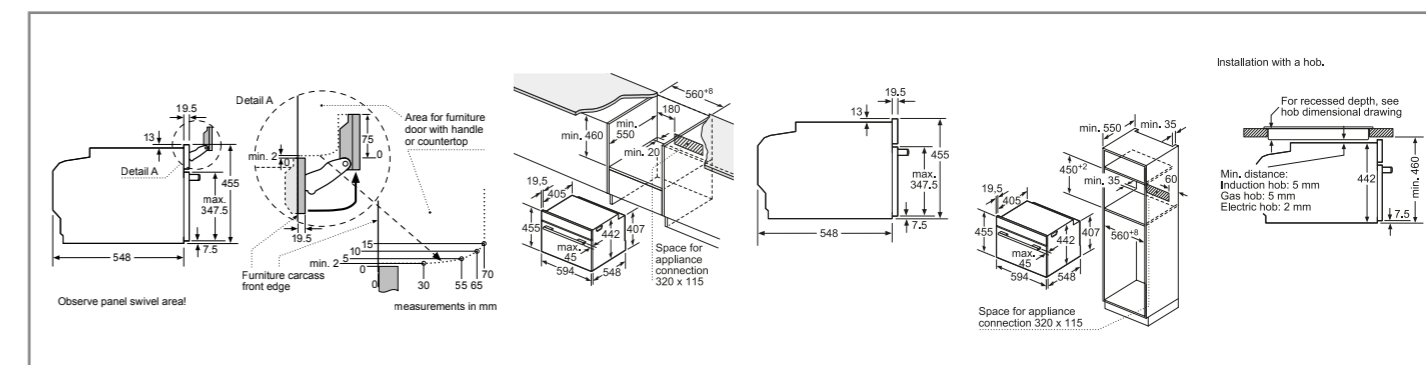


Built-in double ovens

MBA5785S6B, MBS533BS0B, MBS533BB0B, MHA133BR0B

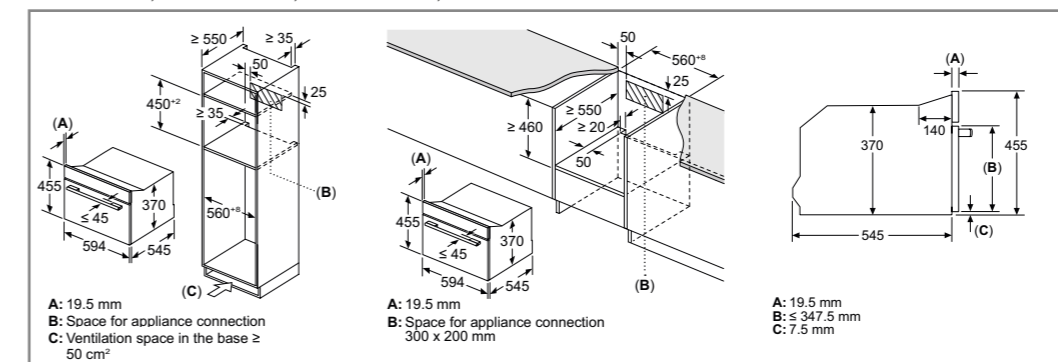
Built-under double ovens

NBS533BS0B, NBS533BB0B



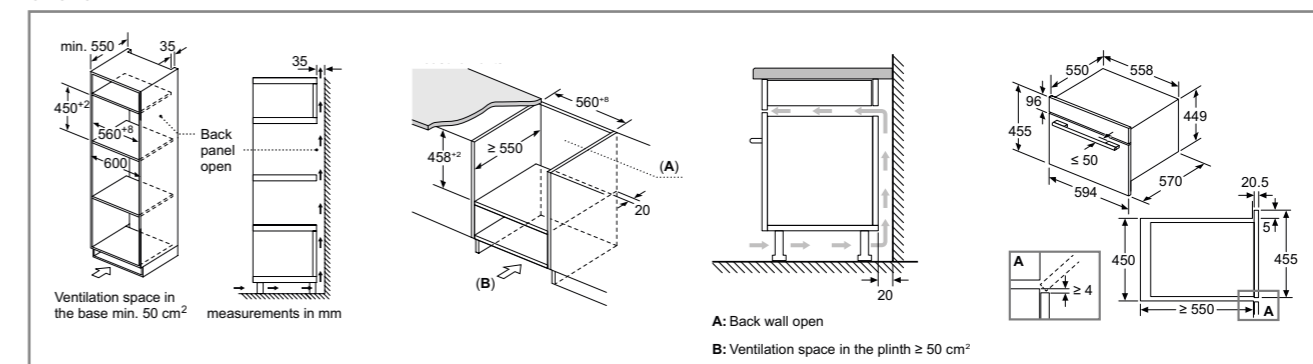
Compact oven (with added steam) CSG7584B1, CSG7361B1 Compact ovens (with microwave)

CMG778NB1, CMG7761B1, CMG7361B1, CMG7241B1



Compact Microwave

CEG732XB1B



Compact Combination Microwave Ovens CMA583MS0B, CMA583MB0B

All diagram measurements are in millimetres (mm)

We try to keep up to date with constant technological improvements, so from time to time we may update installation guidelines. Therefore we strongly recommend that you download the latest installation guidelines from www.bosch-home.co.uk. Line drawings are for guidance only, and we recommend that you refer to the latest installation guidelines. Though every care is taken to ensure instructions are correct at the time of printing, Bosch cannot accept responsibility for incorrect planning or installation as a result of the use of these line drawings.Explore more at bosch-home.co.uk / bosch-home.ie

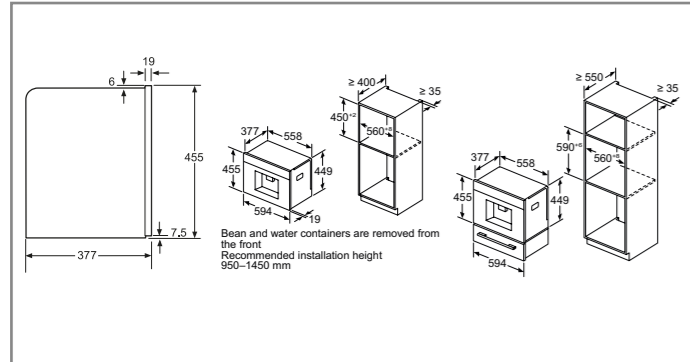
All diagram measurements are in millimetres (mm)

All models comply with COMMISSION REGULATION (EC) No 1275/2008 with regard to ecodesign requirements for standby and off mode electric power consumption. We try to keep up to date with constant technological improvements, so from time to time we may update installation guidelines. Therefore we strongly recommend that you download the latest installation guidelines from www.bosch-home.co.uk. Line drawings are for guidance only, and we recommend that you refer to the latest installation guidelines. Though every care is taken to ensure instructions are correct at the time of printing, Bosch cannot accept responsibility for incorrect planning or installation as a result of the use of these line drawings.

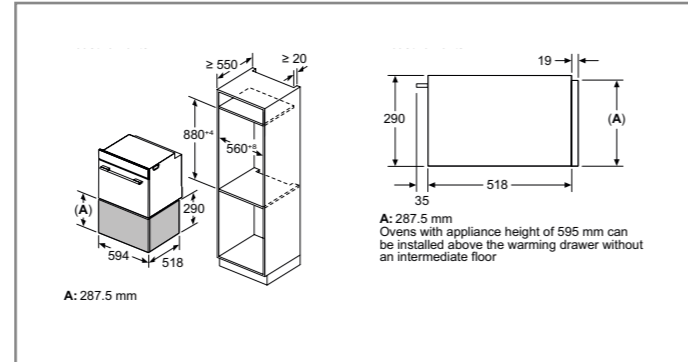
Making life easy through innovative technologies

Compact appliances technical diagrams

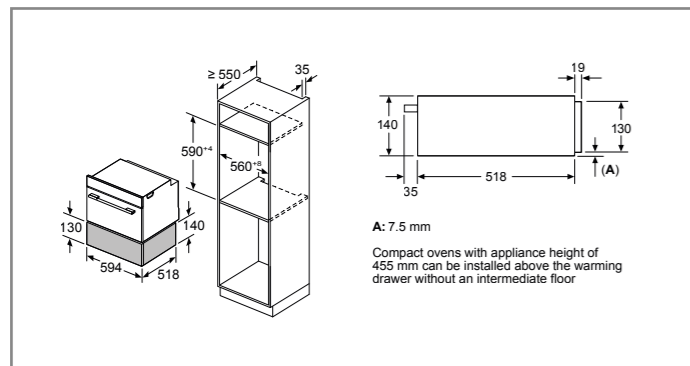
Compact coffee centre, warming drawers



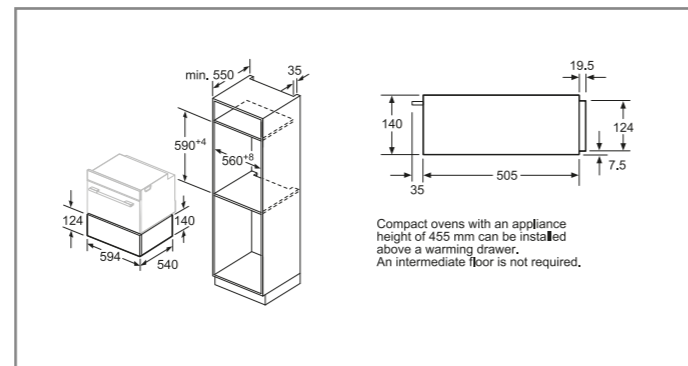
Coffee centre CTL7181B0



Warming drawer BID7101B1B installed with 60cm high single oven.

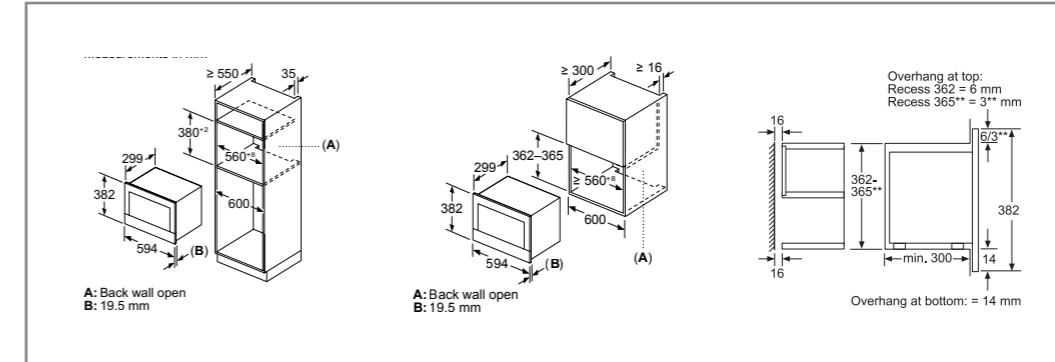


Warming drawers BIC7101B1B installed with 45cm high oven.

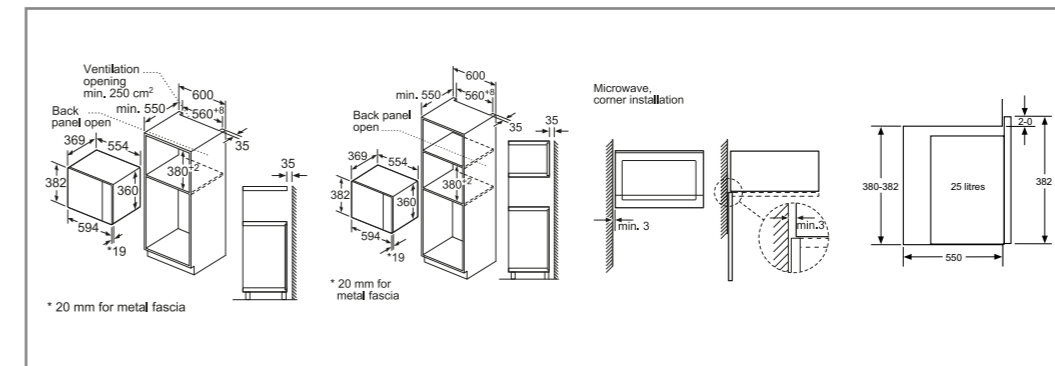


Warming drawers BIC510NS0B, BIC510NB0 installed with 45cm high oven.

Microwave ovens



Microwaves BFL7221B1B

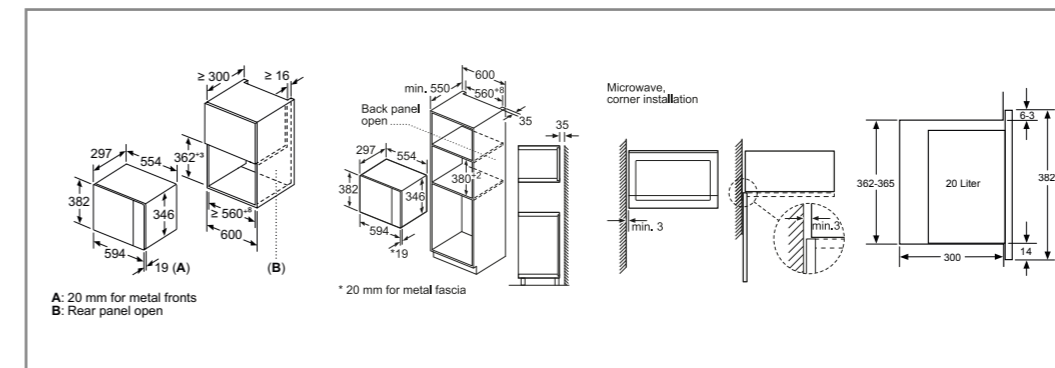


Microwaves BFL553MS0B, BFL553MB0B

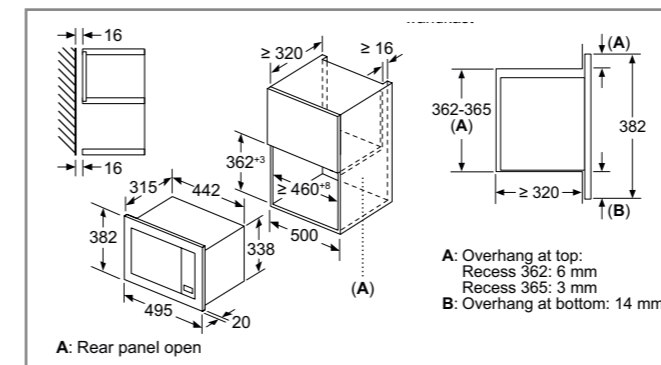
Oven and compact appliance accessories

	SERIES 8		SERIES 4 & 6		
	Single Ovens	45cm Compact Ovens	Single Ovens	Compact Ovens	Double Ovens*
ROASTING & BAKING ACCESSORIES					
HEZ530000	Two piece slim pan set for Series 6 and Series 4 single and double ovens	-	•	-	•
TELESCOPIC RAILS					
HEZ638000	1 pair of level independent telescopic shelf rails with stop, fully extendible, for non-pyrolytic, non-full steam Series 8 ovens	•	-	-	•
HEZ638070	1 pair of level independent telescopic shelf rails with stop, fully extendible, for Series 8 pyrolytic ovens	•	-	-	•
HEZ638D00	1 pair of level independent telescopic shelf rails with stop, fully extendible, for Series 8 steam ovens	•	-	-	•
HEZ629070	Air Fryer & Grill tray. Required for Air Fry Function, for Series 8 ovens	•	-	-	•
HEZ538000	1 pair of level independent telescopic rails for Series 6 & 4 single and double ovens	-	•	-	•
INSTALLATION ACCESSORIES					
HEZ6BMA00	Metal platform and brackets suited to a combination of Series 8 60cm Single ovens and 45cm Compact ovens in column (special single aperture required)	•	•	-	-
HEZ660060	Cosmetic decor strip compatible with 60cm single and 45cm compact ovens	•	•	•	-

• = Yes - = No



Microwaves BFL523MS0B, BFL523MB0B



BFL523MS3B

Optional accessories not suited for use during pyrolytic cleaning cycle

All diagram measurements are in millimetres (mm)

All models comply with COMMISSION REGULATION (EC) No 1275/2008 with regard to ecodesign requirements for standby and off mode electric power consumption. We try to keep up to date with constant technological improvements, so from time to time we may update installation guidelines. Therefore we strongly recommend that you download the latest installation guidelines from www.bosch-home.co.uk. Line drawings are for guidance only, and we recommend that you refer to the latest installation guidelines. Though every care is taken to ensure instructions are correct at the time of printing, Bosch cannot accept responsibility for incorrect planning or installation as a result of the use of these line drawings.

All diagram measurements are in millimetres (mm)

All models comply with COMMISSION REGULATION (EC) No 1275/2008 with regard to ecodesign requirements for standby and off mode electric power consumption. We try to keep up to date with constant technological improvements, so from time to time we may update installation guidelines. Therefore we strongly recommend that you download the latest installation guidelines from www.bosch-home.co.uk. Line drawings are for guidance only, and we recommend that you refer to the latest installation guidelines. Though every care is taken to ensure instructions are correct at the time of printing, Bosch cannot accept responsibility for incorrect planning or installation as a result of the use of these line drawings.

Find Your Perfect Hob.

Our hobs are designed to make every day cooking a success. We offer a range of hobs to suit your cooking needs and kitchen space. To help you find the perfect hob for your kitchen, we've put together this handy guide.



Featured model: PVS811B16E

Induction Hobs

Induction hobs are our most energy-efficient cooking surfaces, they heat quickly and are easy to clean.

Multiple cooking zones offer maximum flexibility, while built-in Bosch technology such as PerfectFry Plus and DirectSelect, makes cooking easier and more precise.

Induction hobs use magnetic cookware, such as stainless-steel pots or pans. Incredibly safe to use, there is little residual heat when the saucepan leaves the hob.

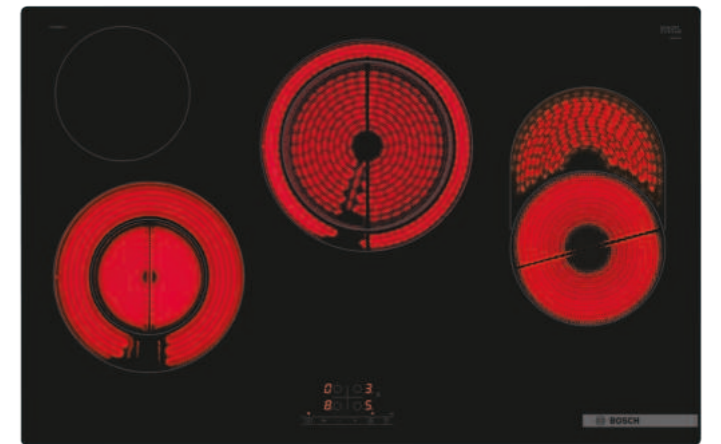


Featured model: PXV831HC1E
Series 6 Flex Induction Hob

Electric Hobs

Powerful and stylish, our electric hobs look great as the cooking surface in any kitchen. They are also compatible with all types of pots and pans.

With simple controls, it's easy to select your cooking zone and desired power level, which means you can get on with creating delicious meals with little effort.

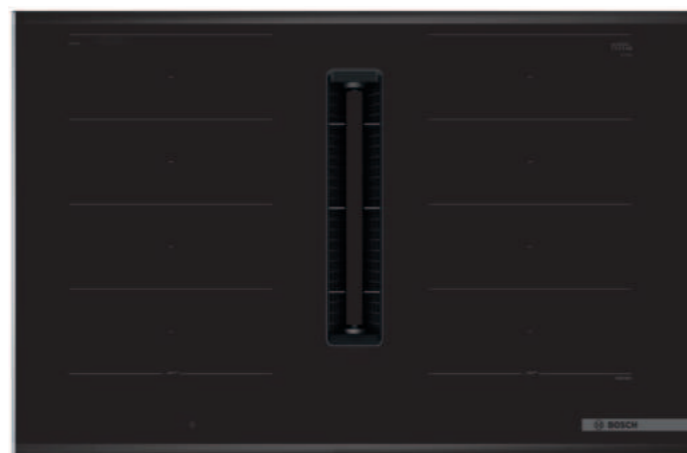


Featured model: PKH811BB1D
Series 4 Electric Hob with TouchSelect

Venting Hobs

Our venting hobs give you more freedom and flexibility when designing your kitchen. They combine the latest induction cooking technologies with integrated ventilation in a single appliance. Steam, air, and odours are sucked away by the integrated extractor, leaving the air cool and clear so you can cook comfortably.

Our venting hobs offer maximum flexibility in installation options – unducted, partly ducted, full ducted and ducted out.



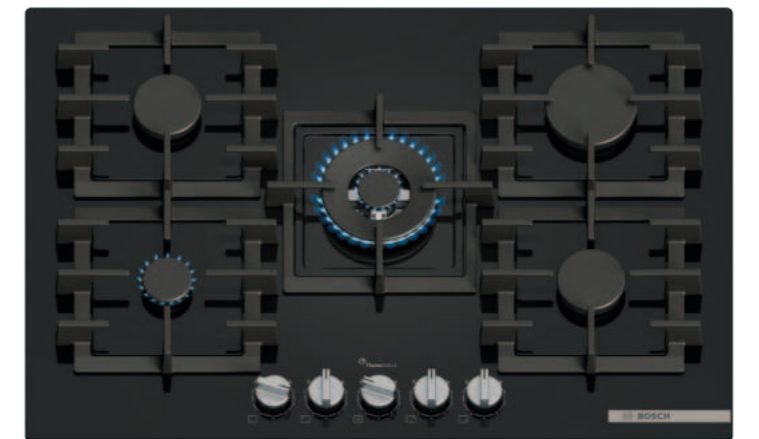
Featured model: PXX875D67E
Series 8 Venting Flex Induction Hob

Gas Hobs

Our new range of gas hobs combine classic design with comfortable operation, letting you cook to perfection.

Our patented Flame Select technology ensures precise temperature control for reliable heat output and illuminated sword dials offer total control.

The dials are removable too, and with easy to lift dishwasher safe cast iron pan supports, cleaning your new Bosch gas hob is a breeze.



Featured model: PPQ7A6140
Series 6 Gas Hob with FlameSelect

Venting hobs range



TO FIND OUT MORE ABOUT OUR BOSCH VENTING HOB RANGE, PLEASE SCAN THE QR CODE BELOW:

Series 8

Series 8 combines top of the range technology such as **PerfectAir** and **Move Mode** into one appliance to make your cooking experience as simple and enjoyable as possible.

Series 6

Combining sleek design with reliable functionality, our **Series 6** range offers intuitive technology to further assist you in the kitchen, including **PerfectFry Plus** and **Combi Zones**. A perfect addition to any kitchen.

Series 4

The **Series 4** venting hob range presents an efficient and practical option, featuring multiple cooking zones and an integrated extraction system to effectively remove smoke and odour.

Product shown: PXX875D67E

The Perfect combination.

By combining the latest technologies from our induction hobs and hoods into a single appliance we are able to give you more freedom and flexibility in designing your kitchen.

The integrated ventilation module extracts steam and odours at their source, leading to fewer smells in the kitchen. With features such as **Combi Zone**, **Touch Select** and **PerfectFry** available on selected models, our venting hobs can handle any cooking task. A venting hob can be easily installed into the work surface to suit any kitchen design and has the added convenience of being easy to clean.

PerfectAir

PerfectAir is our advanced feature that clears the air without you having to do anything. A sensor constantly detects the levels of cooking odours in the air and adjusts the power level – from light use to intensive – to ensure your kitchen air is always clean and fresh.

Gain more control.

These additional features allow you to have more control whilst cooking and make your time in the kitchen as easy as possible.

Bosch Home Connect: Gain an extra layer of safety with our smart hobs that allow you to know whether your hob is turned off remotely as well as be aware if child lock is activated, all via the Bosch Home Connect app.

Features dependent on model.

For information on types of installation for venting hobs, please see page 33.

Explore more at bosch-home.co.uk / bosch-home.ie

PerfectFry Plus: The right temperature is crucial for frying. Too high, and even the best steak will cook too quickly and scorch. With **PerfectFry Plus**, scorching is a thing of the past. The **PerfectFry Plus** sensor displays and continuously monitors your pans temperature to prevent scorching. Select from 11 predefined temperatures to suit your dish, ranging from 70 to 220°C, for perfect results every time.

Favourite button: Personalise your cooktop according to your preferences. Select various functions via the Bosch Home Connect app and save them to your hob.

Venting hobs

VENTING HOBS			
TYPE			
SERIES	SERIES 8	SERIES 6	
MODEL	PXX875D67E	PVQ731H26E	
Width in mm	816	710	
Control position	Front	Front	
Control type	DirectSelect Premium	DirectSelect	
Style	Comfort Profile	Front Bevel	
KEY FEATURES			
Home Connect	•	•	
Integrated extractor	•	•	
PerfectCook temperature sensor ready	HEZ39050 required	-	
PerfectFry Sensor settings for hob	5 Levels	11 Levels	
Favourite Button	-	•	
Automatic extraction	Fully sensor based	Auto-On	
Number of Flex Induction zones	2	-	
Number of Combi Induction zones	-	2: Left & Right	
HOB FEATURES			
Number of individual zones	4	4	
Power levels	17	17	
Power Boost	•	•	
Pan Boost	•	Via HC/Favourite Button a.sw upd	
Move Mode	3 stages	-	
Adaptable Volume	-	•	
Energy Consumption Display	•	-	
Keep warm function	•	Via HC/Favourite Button a.sw upd	
Quick Start (Quick switch-off)	•	•	
Quick Stop (Quick switch-off)	-	-	
Automatic setting transfer	•	-	
ReStart	•	•	
Demo Mode	•	-	
Dish Categories / Setting Recommendations	•	Via HC app a. sw upd.	
Wipe protection function (Pause Function)	•	-	
SAFETY FEATURES			
Residual Heat Indicator	•	•	
Childproof Lock	•	•	
Pause Function	-	•	
Countdown timer	•	•	
Safety Time Switch off	•	•	
Pan recognition	•	•	
Count up Timer	•	-	
Main on/off switch	•	•	
HOOD FEATURES			
PerfectAir Sensor	•	-	
Metal grease filter	•	•	
Power levels	17 + 2 Intensive	9 + 2 Intensive	
Automatic intensive revert setting	6 minutes	6 minutes	
Automatic or manual control	•	•	
Automatic after running- Extraction / Recirculation	12 / 30 minutes	12 / 30 minutes	
Interval operation	•	•	
Dishwasher safe grease filter cassette with spillage collection	Yes - 200ml capacity	Yes - 200ml capacity	
Dishwasher safe spillage overflow collector	700ml capacity	700ml capacity	
Electronic grease filter / cleanAir filter saturation indicators	• / •	-	
PERFORMANCE / TECHNICAL INFORMATION – HOB			
Nominal voltage (V)	220-240	220-240	
Maximum power output (W)	7400	7400	
Electrical cable length (cm)	110	110	
Rear left zone - power (kW) / dimensions (mm)	2.20 200x240	2.50	190x210
Rear right zone - power (kW) / dimensions (mm)	2.20 200x240	2.50	190x210
Front left zone - power (kW) / dimensions (mm)	2.20 200x240	2.50	190x210
Front right zone - power (kW) / dimensions (mm)	2.20 200x240	2.50	190x210
Flex Induction Zone left - power (kW) / dimensions (mm)	3.30 400x240	-	-
Flex Induction Zone right - power (kW) / dimensions (mm)	3.30 400x240	-	-
Combi Zone left - power (kW) / dimensions (mm)	-	3.60	380x210
Combi Zone right - power (kW) / dimensions (mm)	-	3.60	380x210
Rear left zone - with Power Boost (max. kW)	3.70	3.70	
Rear right zone - with Power Boost (max. kW)	3.70	3.70	
Front left zone - with Power Boost (max. kW)	3.70	3.70	
Front right zone - with Power Boost (max. kW)	3.70	3.70	
PERFORMANCE / TECHNICAL INFORMATION – EXTRACTOR			
Extractor Energy Efficiency Rating	B	B	
Extraction rate in m ³ /h ^(1,2)			
- Ducted / Recirculating power level Minimum	154 / 132	154 / 117	
- Ducted / Recirculating power level Maximum	500 / 499	500 / 487	
- Ducted / Recirculating power level Intensive	622 / 595	622 / 595	
Noise level (sound power) based on dB(A) re 1 pW ^(1,4)			
- Ducted / Recirculating power level Minimum	42 / 41	42 / 41	
- Ducted / Recirculating power level Maximum	69 / 68	69 / 68	
- Ducted / Recirculating power level Intensive	74 / 72	74 / 72	
Motor power (W)	170	170	

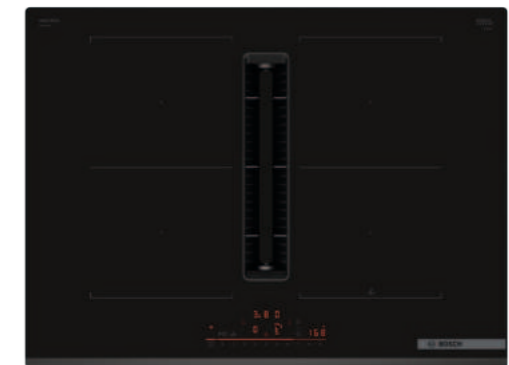
Series 8

PXX875D67E



Series 6

PVQ731H26E



VENTING HOB		
TYPE	SERIES 8	SERIES 6
SERIES	SERIES 8	SERIES 6
MODEL	PXX875D67E	PVQ731H26E
OPTIONAL ACCESSORIES		
Wireless Meatprobe	HEZ32WA00	HEZ32WA00
Wireless temperature sensor	HEZ39050	-
Set of three pans	HEZ9SE030	HEZ9SE030
Four piece pan set	HEZ9SE040	HEZ9SE040
Rectangular roasting pan with lid (approx. 320x200mm)	HEZ390011	HEZ390011
Steamer pan insert of use with HEZ390011 roasting pan	HEZ390012	HEZ390012
Griddle plate (approx. 400x200mm)	HEZ390522	-
Ducted operation using accessory kit (Fully ducted)	HEZ9VEDU0	HEZ9VEDU0
Ducted exhaust starter kit for min. 60cm deep worktops	HEZ9VDKE1	HEZ9VDKE1
Ducted recirculation starter kit for min. 70cm deep worktop	HEZ9VDKR0	HEZ9VDKR0
Ducted recirculation starter kit for min. 60cm deep worktops	HEZ9VDKR1	HEZ9VDKR1
Flat channel 90° horizontal bend, for worktop depth minimum 65cm	HEZ9VDSB1	HEZ9VDSB1
Flat channel 90° vertical bend (large Radius), suitable for worktop depth min. 70cm	HEZ9VDSB2	HEZ9VDSB2
Flat channel 90° vertical bend (medium Radius), suitable for worktop depth min. 65cm	HEZ9VDSB3	HEZ9VDSB3
Flat channel 90° vertical bend (short Radius), suitable for worktop depth min. 60cm	HEZ9VDSB4	HEZ9VDSB4
Straight Adaptor / Converter flat to round (Ø 150mm)	HEZ9VDSI0	HEZ9VDSI0
90° Adaptor / Converter flat to round (Ø 150mm)	HEZ9VDSI1	HEZ9VDSI1
1 x 500mm long flat channel ducting	HEZ9VDSM1	HEZ9VDSM1
1 x 1000mm long flat channel ducting	HEZ9VDSM2	HEZ9VDSM2
Connection piece for use between straight channel ducting components and bends	HEZ9VDS1	HEZ9VDS1
Flexible Connection piece for use between straight channel ducting components and bends	HEZ9VDS2	HEZ9VDS2
Replacement recirculation filters. Includes 1 x set of CleanAir recirculation filters	HEZ9VRCR0	HEZ9VRCR0
Diffuser required for ducted recirculation. Additional ducting components may be required.	HEZ9VRP1	HEZ9VRP1

• = Yes - = No

¹ Power automatically reverts back to normal setting after intensive.

² A type of recirculating kit is required if recirculating.

³ Measured according to EN61591 on largest pipe diameter.

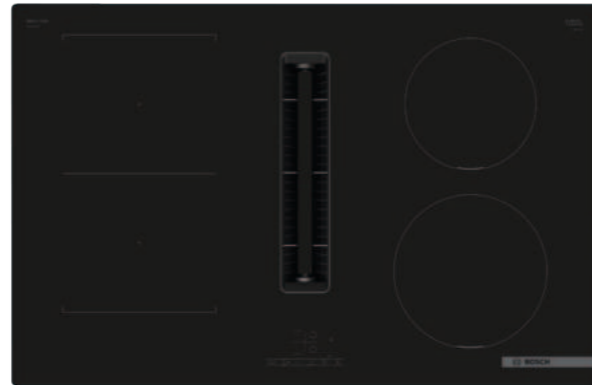
a. sw upd. - a software update

Refer to page 33 to read more about the installation process.

VENTING HOBS			
TYPE	SERIES 4		
SERIES	SERIES 4		SERIES 4
MODEL	PVS811B16E	PVS611B16E	
Width in mm	802	592	
Control position	Front	Front	
Control type	TouchSelect	TouchSelect	
Style	Frameless	Frameless	
KEY FEATURES			
Home Connect	-	-	
Integrated extractor	•	•	
PerfectCook temperature sensor ready	-	-	
PerfectFry Sensor settings for hob	-	-	
Favourite Button	-	-	
Automatic extraction	Auto-On	Auto-On	
Number of Flex Induction zones	-	-	
Number of Combi Induction zones	1	1	
HOB FEATURES			
Number of individual zones	4	4	
Power levels	17	17	
Power Boost	•	•	
Pan Boost	-	-	
Move Mode	-	-	
Adaptable Volume	-	-	
Energy Consumption Display	-	-	
Keep warm function	-	-	
Quick Start	•	•	
Quick Stop (Quick switch-off)	•	•	
Automatic setting transfer	-	-	
ReStart	•	•	
Demo Mode	-	-	
Dish Categories / Setting Recommendations	-	-	
Wipe protection function (Pause Function)	-	-	
SAFETY FEATURES			
Residual Heat Indicator	•	•	
Childproof Lock	•	•	
Pause Function	-	-	
Countdown timer	•	•	
Safety Time Switch off	•	•	
Pan recognition	•	•	
Count up Timer	-	-	
Main on/off switch	•	•	
HOOD FEATURES			
PerfectAir Sensor	-	-	
Metal grease filter	•	•	
Power levels	3 + 1 Intensive	3 + 1 Intensive	
Automatic intensive revert setting	6 minutes	6 minutes	
Automatic or manual control	•	•	
Automatic after running: Extraction / Recirculation	12 / 30 minutes	12 / 30 minutes	
Interval operation	•	•	
Dishwasher safe grease filter cassette with spillage collection	Yes - 200ml capacity	Yes - 200ml capacity	
Dishwasher safe spillage overflow collector	700ml capacity	700ml capacity	
Electronic grease filter / cleanAir filter saturation indicators	-	-	
PERFORMANCE / TECHNICAL INFORMATION - HOB			
Nominal voltage (V)	220-240	220-240	
Maximum power output (W)	7400	7400	
Electrical cable length (cm)	110	110	
Rear left zone - power (kW) / dimensions (mm)	2.20 190x210	2.20 190x210	
Rear right zone - power (kW) / dimensions (mm)	1.80 180 1.40 145		
Front left zone - power (kW) / dimensions (mm)	2.20 190x210	2.20 190x210	
Front right zone - power (kW) / dimensions (mm)	2.20 210 2.20 210		
Flex Induction Zone left - power (kW) / dimensions (mm)	- - - -		
Flex Induction Zone right - power (kW) / dimensions (mm)	- - - -		
Combi Zone left - power (kW) / dimensions (mm)	3.60 380x210	3.60 380x210	
Combi Zone right - power (kW) / dimensions (mm)	- - - -		
Rear left zone - with Power Boost (max. kW)	3.70	3.70	
Rear right zone - with Power Boost (max. kW)	3.10 2.20		
Front left zone - with Power Boost (max. kW)	3.70	3.70	
Front right zone - with Power Boost (max. kW)	3.70	3.70	
PERFORMANCE / TECHNICAL INFORMATION - EXTRACTOR			
Extractor Energy Efficiency Rating	B	B	
Extraction rate in m ³ /h ¹⁾			
- Ducted / Recirculating power level Minimum	330 / 252	330 / 252	
- Ducted / Recirculating power level Maximum	500 / 441	500 / 441	
- Ducted / Recirculating power level Intensive	622 / 595	622 / 595	
Noise level (sound power) based on dB(A) re 1 pW ²⁾			
- Ducted / Recirculating power level Minimum	61 / 55	61 / 55	
- Ducted / Recirculating power level Maximum	69 / 66	69 / 66	
- Ducted / Recirculating power level Intensive	74 / 72	74 / 72	
Motor power (W)	170	170	

Series 4

PVS811B16E



PVS611B16E



VENTING HOB		
TYPE	SERIES 4	SERIES 4
SERIES	PXX875D67E	PVQ731H26E
MODEL		
OPTIONAL ACCESSORIES		
Wireless Meatprobe	HEZ32WA00	HEZ32WA00
Wireless temperature sensor	HEZ39050	-
Set of three pans	HEZ9SE030	HEZ9SE030
Four piece pan set	HEZ9SE040	HEZ9SE040
Rectangular roasting pan with lid (approx. 320x200mm)	HEZ390011	HEZ390011
Steamer pan insert of use with HEZ390011 roasting pan	HEZ390012	HEZ390012
Griddle plate (approx. 400x200mm)	HEZ390522	-
Ducted operation using accessory kit (Fully ducted)	HEZ9VEDU0	HEZ9VEDU0
Ducted exhaust starter kit for min. 60cm deep worktops	HEZ9VDKE1	HEZ9VDKE1
Ducted recirculation starter kit for min. 70cm deep worktop	HEZ9VDKR0	HEZ9VDKR0
Ducted recirculation starter kit for min. 60cm deep worktops	HEZ9VDKR1	HEZ9VDKR1
Flat channel 90° horizontal bend, for worktop depth minimum 65cm	HEZ9VDSB1	HEZ9VDSB1
Flat channel 90° vertical bend (large Radius), suitable for worktop depth min. 70cm	HEZ9VDSB2	HEZ9VDSB2
Flat channel 90° vertical bend (medium Radius), suitable for worktop depth min. 65cm	HEZ9VDSB3	HEZ9VDSB3
Flat channel 90° vertical bend (short Radius), suitable for worktop depth min. 60cm	HEZ9VDSB4	HEZ9VDSB4
Straight Adaptor / Converter flat to round (Ø 150mm)	HEZ9VDSI0	HEZ9VDSI0
90° Adaptor / Converter flat to round (Ø 150mm)	HEZ9VDSI1	HEZ9VDSI1
1 x 500mm long flat channel ducting	HEZ9VDSM1	HEZ9VDSM1
1 x 1000mm long flat channel ducting	HEZ9VDSM2	HEZ9VDSM2
Connection piece for use between straight channel ducting components and bends	HEZ9VDS1	HEZ9VDS1
Flexible Connection piece for use between straight channel ducting components and bends	HEZ9VDS2	HEZ9VDS2
Replacement recirculation filters. Includes 1 x set of CleanAir recirculation filters	HEZ9VRCR0	HEZ9VRCR0
Diffuser required for ducted recirculation. Additional ducting components may be required.	HEZ9VRPD1	HEZ9VRPD1

• = Yes - = No

¹⁾ Power automatically reverts back to normal setting after intensive.

²⁾ A type of recirculating kit is required if recirculating.

³⁾ Measured according to EN61591 on largest pipe diameter.

a. sw upd. - a software update

Refer to page 33 to read more about the installation process.

One venting hob, four installation possibilities.

Standard recirculation configuration



Unducted recirculation

HEZ9VRPD1 Diffuser – Standard unducted recirculation included in your box - no additional ducting is required for this installation.



Scan here to watch the installation video.

Other exhaust configuration possibilities depending on installation



(Fully ducted) exhaust

HEZ9VDKE1 Ducted exhaust starter kit – additional ducting components may be required depending on exact installation.

Under plinth

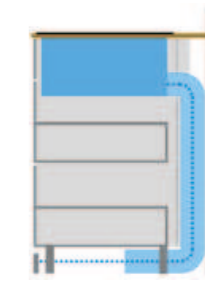


Scan here to watch the installation video.

Under floor



Scan here to watch the installation video.



Partly ducted recirculation

Partly ducted recirculation kit – additional ducting components may be required depending on exact installation.

HEZ9VDKR1 - 60cm deep worktops

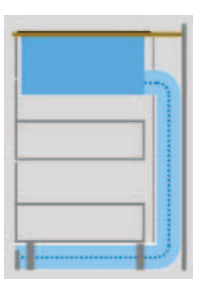


Scan here to watch the installation video.

HEZ9VDKR0 - 70cm deep worktops



Scan here to watch the installation video.



Fully ducted recirculation

Fully ducted recirculation kit – **HEZ9VDKR1** - 60cm deep worktop



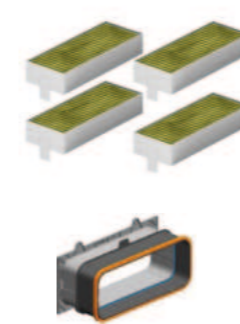
Scan here to watch the installation video.

HEZ9VDKR0 - 70cm deep worktops



Scan here to watch the installation video.

An additional straight channel 50cm (HEZ9VDSM1) and connector (HEZ9VDS1) is required with this kit.



Contains:

- 4 x Clean Air Plus recirculating filters (HEZ9VRCR1)
- Telescopic slider



Contains:

- 1 x Small radius bend (HEZ9VDSB4)
- 1 x connector (HEZ9VDS1)
- 1 x 50cm straight channel (HEZ9VDSM1)
- 1 x set of 4 acoustic filters



HEZ9VDKR1

- 60cm contains:**
- 1 x Small radius bend
 - 1 x Large radius bend

HEZ9VDKR0

- 70cm contains:**
- 2 x Large radius bend

Both contain:

- 3 x connectors
- 1 x 50cm straight channel (HEZ9VDSM1)
- 1 x diffuser (HEZ9VRPD1)



HEZ9VDKR1

- 60cm contains:**
- 1 x Small radius bend
 - 1 x Large radius bend

HEZ9VDKR0

- 70cm contains:**
- 2 x Large radius bend

Both contain:

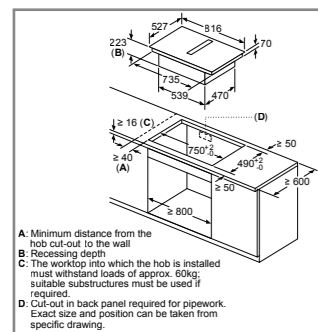
- 3 x connectors
- 1 x 50cm straight channel (HEZ9VDSM1)
- 1 x diffuser (HEZ9VRPD1)

Ducting component accessories

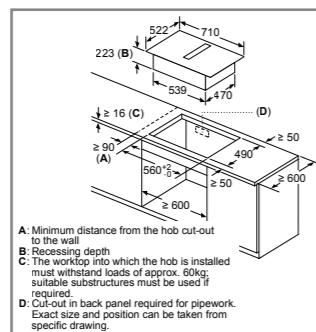
Description	Code
Flat channel ducting component, straight length, 100cm long. Ducting component outlet size: 222mm x 89mm.	HEZ9VDSM2
Flat channel ducting component, straight length, 50cm long. Ducting component outlet size: 222mm x 89mm.	HEZ9VDSM1
Flat channel 90° horizontal bend. Ducting component outlet size: 222mm x 89mm.	HEZ9VDSB1
Flat channel 90° vertical bend (large Radius), suitable for 70cm worktop depths. Ducting component outlet size: 222mm x 89mm.	HEZ9VDSB2
Flat channel 90° vertical bend (medium Radius), suitable for 65cm worktop depths. Ducting component outlet size: 222mm x 89mm.	HEZ9VDSB3
Flat channel 90° vertical bend (short Radius), suitable for 60cm worktop depths. Ducting component outlet size: 222mm x 89mm.	HEZ9VDSB4
Connection piece for use between ducting components and bends. Ducting component size: 223mm x 90mm.	HEZ9VDSS1
Flexible Connection piece for use between ducting components and bends. Ducting component size: 223mm x 90mm.	HEZ9VDSS2
Straight Adaptor / Converter flat to round (Ø 150mm). Ducting component outlet size: 222mm x 89mm.	HEZ9VDSI0
90° Adaptor / Converter flat to round (Ø 150mm). Ducting component outlet size: 222 mm x 89mm.	HEZ9VDSI1
Diffusor required for ducted recirculation.	HEZ9VRPD1

Additional ducting components may be required.

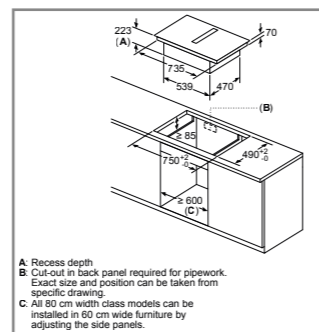
Venting Hobs



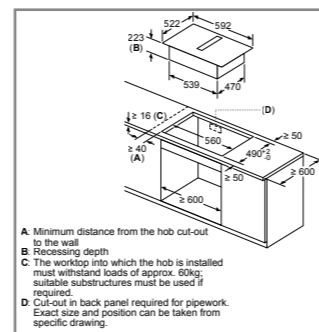
PXX875D67E



PVQ731H26E

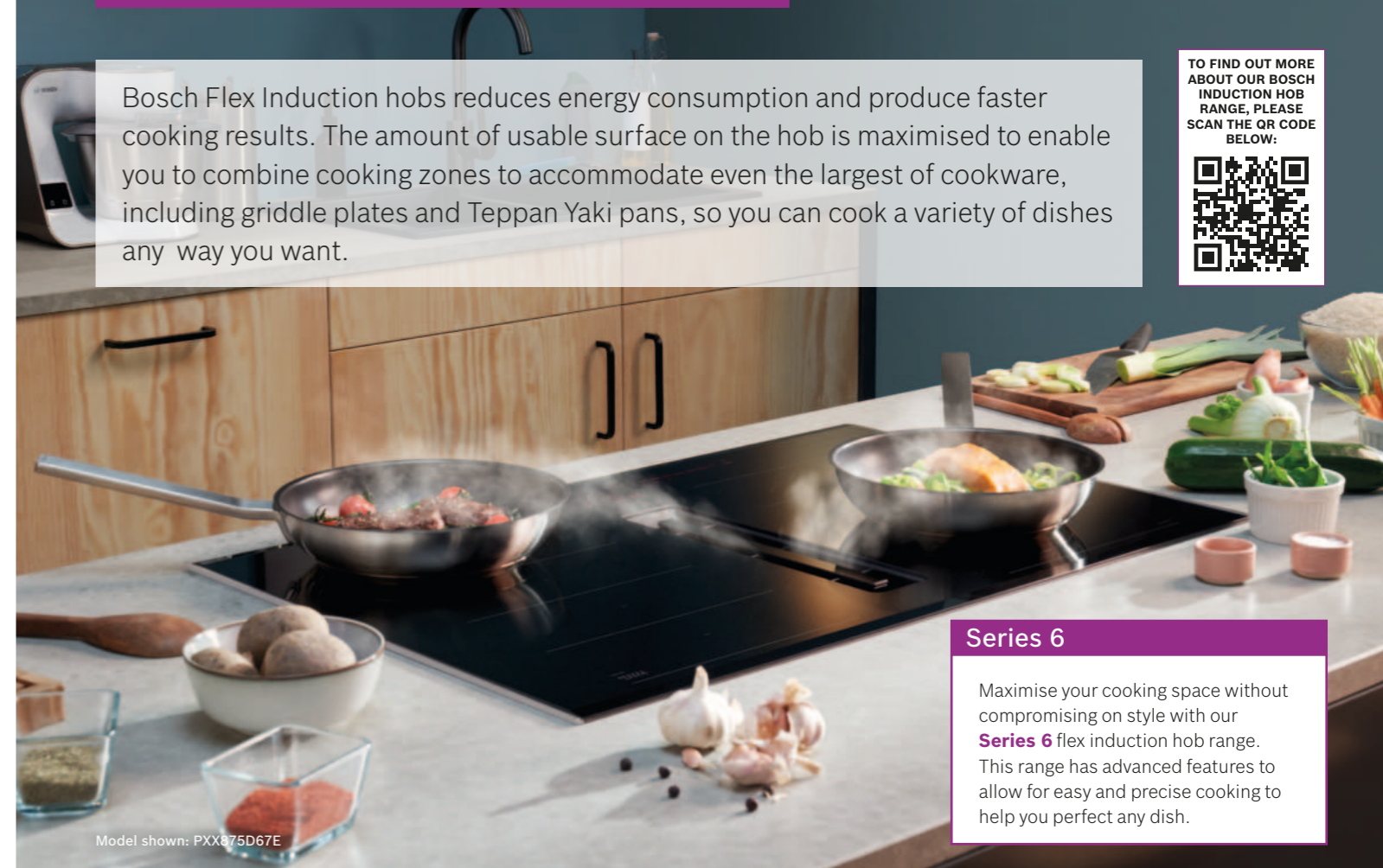


PVS811B16E



PVS611B16E

All diagram measurements are in millimetres (mm). We try to keep up to date with constant technological improvements, so from time to time we may update installation guidelines. Therefore we strongly recommend that you download the latest installation guidelines from www.bosch-home.co.uk. Line drawings are for guidance only, and we recommend that you refer to the latest installation guidelines. Though every care is taken to ensure instructions are correct at the time of printing, Bosch cannot accept responsibility for incorrect planning or installation as a result of the use of these line drawings.



Bosch Flex Induction hobs reduce energy consumption and produce faster cooking results. The amount of usable surface on the hob is maximised to enable you to combine cooking zones to accommodate even the largest of cookware, including griddle plates and Teppan Yaki pans, so you can cook a variety of dishes any way you want.

TO FIND OUT MORE ABOUT OUR BOSCH INDUCTION HOB RANGE, PLEASE SCAN THE QR CODE BELOW:



Series 6

Maximise your cooking space without compromising on style with our **Series 6** flex induction hob range. This range has advanced features to allow for easy and precise cooking to help you perfect any dish.

Flex induction hob functions explained.

Check model for available functions.

PerfectFry: Our clever Frying Sensor measures the temperature in the pan for perfect results.

PerfectCook: Control your cooking by the temperature in the pan rather than the power level with our smart Cooking Sensor*, which easily attaches to the side of your induction pot.

*This feature requires the additional purchase of a Cooking Sensor to operate.

DirectSelect: Set the correct temperature with a single touch. No more scrolling up or down, just simply press one button to select the right heat level.

Extended Flex Zones: Maximum space on your hob for large cookware.

Easy Flex Zones: Your hob automatically adjusts cooking zones to your needs.

Power Boost: This function allows you to increase the power of the cooking zone by up to 50% - perfect for large pots and pans or when you're in a hurry.

Automatic pan recognition: Only heats up the base of the pan and not the rest of the zone, which doesn't waste energy and leaves the rest of the hob cool to touch.

QuickStart: This function detects where you have placed the cookware and after switching on, automatically selects the corresponding cooking zone.

Timer with switch-off: Automatically turns off the assigned cooking zone after the set time.

Bosch Home Connect: Gain an extra layer of safety with our smart hobs that allow you to know whether your hob is turned off remotely as well as be aware if child lock is activated, all via the Bosch Home Connect app.

Hob-Hood Control: With a connected hood and hob, your hood will automatically turn on as it detects hob cooking. You can then adjust the power level of your hood via your hob or the Bosch Home Connect app.

Smart Hood Automatic: With a connected hood and hob, your hood will automatically turn on and continue to adjust its fan level to match the intensity of your cooking. Enjoy complete hands free cooking.

Favourite button: Personalise your cooktop according to your preferences. Select various functions via the Bosch Home Connect app and save them to your hob.

Assist: Automatic setting of the ideal power level recommendation and cooking time for countless dishes.

Move Mode: Automatically switches from boil to simmer with a simple slide of the saucepan.

Restart: Restores cooktop settings in case of unintentional hob switch-off.

Pause function: In case of any spills, this function freezes all the heat settings so you can thoroughly wipe and clean the hob surface. To restore the previous heat settings simply touch the button again!

Child Safety: The built-in lock function locks the surface of your hob and prevents it from being used accidentally, giving you the highest level of safety.

Flex Induction hobs



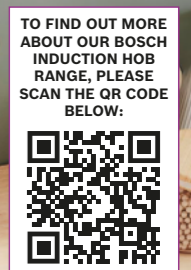
TYPE	FLEX INDUCTION		FLEX INDUCTION		FLEX INDUCTION	
DESIGN FAMILY	SERIES 6		SERIES 6		SERIES 6	
MODEL	PXY83KHC1E		PXV831HC1E		PIX631HC1E	
Width in mm	802		802		592	
Control position	Front		Front		Front	
Control type	DirectSelect		DirectSelect		DirectSelect	
Style	Front Bevel		Front Bevel		Front Bevel	
KEY FEATURES						
Home Connect	●		●		●	
Hob Hood Control	●		●		●	
PerfectCook temperature sensor ready	-		-		-	
PerfectFry Sensor settings	11 levels		11 levels		11 levels	
Smart Hood Automatic	●		●		●	
Favourite Button	●		●		●	
Extended Flex Induction Zone	2		-		-	
Number of Flex Induction Zones	-		1		1	
Number of Combi Zones	-		-		-	
HOB FEATURES						
Number of individual zones	4		5		4	
Cooking Levels	17		17		17	
Power Boost	●		●		●	
Pan Boost	Via HC/Favourite Button a. sw upd		Via HC/Favourite Button a. sw upd		Via HC/Favourite Button a. sw upd	
Move Mode	-		-		-	
Energy Consumption Display	-		-		-	
Keep Warm Function	Via HC/Favourite Button a. sw upd		Via HC/Favourite Button a. sw upd		Via HC/Favourite Button a. sw upd	
Quick Start Function	●		●		●	
Quick Stop (Quick switch-off)	-		-		-	
Automatic setting transfer	●		●		●	
Restart Function	●		●		●	
Demo Mode	●		●		●	
Dish Categories / Setting Recommendations	Via HC app a. sw upd.		Via HC app a. sw upd.		Via HC app a. sw upd.	
Wipe Protection Function (Pause Function)	-		-		-	
Plug&Play with GB Plug	-		-		-	
SAFETY FEATURES						
Residual Heat Indicator	●		●		●	
Childproof Lock	●		●		●	
Pause Function	●		●		●	
Countdown timer (Timer with automatic switch off for each zone)	●		●		●	
Safety Time Switch off	●		●		●	
Pan recognition	●		●		●	
Count up Timer	-		-		-	
Main on/off switch	●		●		●	
PERFORMANCE / TECHNICAL INFORMATION						
Maximum power output (kW)	7400		7400		7400	
Nominal voltage (V)	220-240		220-240		220-240	
Electrical cable length (cm)	110		110		110	
Rear left Flex Induction zone - power (kW) / dimensions (mm)	2.20	200x230	-	-	2.20	190x230
Rear left zone - power (kW) / diameter (mm)	-	-	1.60	145	-	-
Rear right Flex Induction zone - power (kW) / dimensions (mm)	2.20	200x230	2.20	200x210	-	-
Rear right zone - power (kW) / diameter (mm)	-	-	-	-	1.60	145
Rear centre zone - power (kW) / diameter (mm)	-	-	2.50	240	-	-
Front centre zone - power (kW) / diameter (mm)	-	-	-	-	-	-
Front left Flex Induction zone - power (kW) / dimensions (mm)	2.20	200x230	-	-	2.20	190x230
Front left zone - power (kW) / diameter (mm)	-	-	2.00	180	-	-
Front right Flex Induction zone - power (kW) / dimensions (mm)	2.20	200x230	2.20	200x210	-	-
Front right zone - power (kW) / diameter (mm)	-	-	-	-	2.50	210
Flex Induction zone left - power (kW) / dimensions (mm)	3.30	400x230	-	-	3.30	380x230
Flex Induction zone right - power (kW) / dimensions (mm)	3.30	400x230	3.30	400x210	-	-
Extended Flex Induction rear left - power (kW) / dimensions (mm)	3.30	300x300	-	-	-	-
Extended Flex Induction rear right - power (kW) / dimensions (mm)	3.30	300x300	-	-	-	-
Combi Zone left - power (kW) / dimensions (mm)	-	-	-	-	-	-
Combi Zone right - power (kW) / dimensions (mm)	-	-	-	-	-	-
Rear left zone - with Power Boost (max. kW)	3.70	-	2.20	-	3.70	-
Rear right zone - with Power Boost (max. kW)	3.70	-	3.70	-	2.20	-
Rear centre zone - with Power Boost (max. kW)	-	-	3.70	-	-	-
Front left zone - with Power Boost (max. kW)	3.70	-	3.10	-	3.70	-
Front right zone - with Power Boost (max. kW)	3.70	-	3.70	-	3.70	-

● = Yes - = No
a. sw upd. - a software update
All models comply with COMMISSION REGULATION (EC) No 1275/2008 with regard to ecodesign requirements for standby and off mode electric power consumption.
For full specification details, please log onto our website and download a full specification sheet.

Explore more at bosch-home.co.uk / bosch-home.ie

Induction hob range

Bosch induction hobs speed up cooking with instant heat, saving you energy while making a stylish statement in the kitchen. Multiple cooking zones with easy clean surfaces provide maximum flexibility and the built-in Bosch technology with advanced features helps to make cooking more precise and easier than ever.



Featured model: PIE631BB5E Series 4 Induction Hob

Series 6
Expect excellent operation and timeless design from our **Series 6** range. Elevate your cooking experience with convenient functions for a higher level of control such as **Bosch Home Connect** and **PerfectFry Plus**.

Series 4
Combining convenience, premium engineering and elegant design, our range of **Series 4** induction hobs with advanced features will enhance your cooking experience with reliable results time after time.

Series 2
Our essential range of **Series 2** induction hobs maintains a classic design with contemporary style that are convenient, easy to clean and simple to operate. A great energy efficient addition to any kitchen.

Induction hob functions explained.

Check model for available functions.

PerfectFry: Our clever Frying Sensor measures the temperature in the pan for perfect results.

PerfectCook: Control your cooking by the temperature in the pan rather than the power level with our smart Cooking Sensor*, which easily attaches to the side of your induction pot.

*This feature requires the additional purchase of a Cooking Sensor to operate.

DirectSelect: Set the correct temperature with a single touch. No more scrolling up or down, just simply press one button to select the right heat level.

Combi Zone: Two cooking zones can be linked, making the switch from small to large pans effortless.

Power Boost: This function allows you to increase the power of the cooking zone by up to 50% - perfect for large pots and pans or when you're in a hurry.

Automatic pan recognition: Only heats up the base of the pan and not the rest of the zone, which doesn't waste energy and leaves the rest of the hob cool to touch.

QuickStart: This function detects where you have placed the cookware and after switching on, automatically selects the corresponding cooking zone.

Timer with switch-off: Automatically turns off the assigned cooking zone after the set time.

Bosch Home Connect: Gain an extra layer of safety with our smart hobs that allow you to know whether your hob is turned off remotely as well as be aware if child lock is activated, all via the Bosch Home Connect app.

Hob-Hood Control: With a connected hood and hob, your hood will automatically turn on as it detects hob cooking. You can then adjust the power level of your hood via your hob or the Bosch Home Connect app.

Smart Hood Automatic: Never manually control your hood again. Matching hobs and hoods connected via the Bosch Home Connect app, means your hood will automatically turn on and adjust to the correct power level when you start cooking. Hands-free convenience for cooking, without any distractions..

Favourite button: Personalise your cooktop according to your preferences. Select various functions via the Bosch Home Connect app and save them to your hob.

Assist: Automatic setting of the ideal power level recommendation and cooking time for countless dishes.

Move Mode: Automatically switches from boil to simmer with a simple slide of the saucepan.

Restart: Restores cooktop settings in case of unintentional hob switch-off.

Pause function: In case of any spills, this function freezes all the heat settings so you can thoroughly wipe and clean the hob surface. To restore the previous heat settings simply touch the button again!

Child Safety: The built-in lock function locks the surface of your hob and prevents it from being used accidentally, giving you the highest level of safety.

Making **life easy** through innovative technologies



TYPE	INDUCTION	INDUCTION	INDUCTION
DESIGN FAMILY	SERIES 6	SERIES 6	SERIES 4
MODEL	PVW831HB1E	PIV831HB1E	PIE631BB5E
Width in mm	802	802	592
Control position	Front	Front	Front
Control type	Direct Select	Direct Select	Touch Select
Style	Front Bevel	Front Bevel	Front Bevel
KEY FEATURES			
Home Connect	●	●	-
Hob Hood Control	●	●	-
PerfectCook temperature sensor ready	-	-	-
PerfectFry Sensor settings	-	-	-
Smart Hood Automatic	●	●	-
Favourite Button	●	●	-
Extended Flex Induction Zone	-	-	-
Number of Flex Induction Zones	-	-	-
Number of Combi Zones	1	-	-
HOB FEATURES			
Number of individual zones	5	5	4
Cooking Levels	17	17	17
Power Boost	●	●	●
Pan Boost	Via HC/Favourite Button a. sw upd	Via HC/Favourite Button a. sw upd	-
Move Mode	-	-	-
Energy Consumption Display	-	-	-
Keep Warm Function	Via HC/Favourite Button a. sw upd	Via HC/Favourite Button a. sw upd	-
Quick Start Function	●	●	●
Quick Stop (Quick switch-off)	-	-	●
Automatic setting transfer	-	-	-
Restart Function	●	●	●
Demo Mode	●	●	-
Dish Categories / Setting Recommendations	-	-	-
Wipe Protection Function (Pause Function)	-	-	-
Plug&Play with GB Plug	-	-	-
SAFETY FEATURES			
Residual Heat Indicator	●	●	●
Childproof Lock	●	●	●
Pause Function	●	●	-
Countdown timer (Timer with automatic switch off for each zone)	●	●	●
Safety Time Switch off	●	●	●
Pan recognition	●	●	●
Count up Timer	-	-	-
Main on/off switch	●	●	●
PERFORMANCE / TECHNICAL INFORMATION			
Maximum power output (kW)	7400	7400	7400
Nominal voltage (V)	220-240	220-240	220-240
Electrical cable length (cm)	110	110	110
Rear left Flex Induction zone - power (kW) / dimensions (mm)	-	-	-
Rear left zone - power (kW) / diameter (mm)	1.60	145	1.60
Rear right Flex Induction zone - power (kW) / dimensions (mm)	-	-	-
Rear right zone - power (kW) / diameter (mm)	2.50	190x210	1.60
Rear centre zone - power (kW) / diameter (mm)	2.50	240	2.50
Front centre zone - power (kW) / diameter (mm)	-	-	-
Front left Flex Induction zone - power (kW) / dimensions (mm)	-	-	-
Front left zone - power (kW) / diameter (mm)	2.00	180	2.00
Front right Flex Induction zone - power (kW) / dimensions (mm)	-	-	-
Front right zone - power (kW) / diameter (mm)	2.50	190x210	2.50
Flex Induction zone left - power (kW) / dimensions (mm)	-	-	-
Flex Induction zone right - power (kW) / dimensions (mm)	-	-	-
Extended Flex Induction rear left - power (kW) / dimensions (mm)	-	-	-
Extended Flex Induction rear right - power (kW) / dimensions (mm)	-	-	-
Combi Zone left - power (kW) / dimensions (mm)	-	-	-
Combi Zone right - power (kW) / dimensions (mm)	3.30	380x210	-
Rear left zone - with Power Boost (max. kW)	2.20	2.20	3.10
Rear right zone - with Power Boost (max. kW)	3.70	2.20	2.20
Rear centre zone - with Power Boost (max. kW)	3.70	3.70	-
Front left zone - with Power Boost (max. kW)	3.10	3.10	3.10
Front right zone - with Power Boost (max. kW)	3.70	3.70	3.70

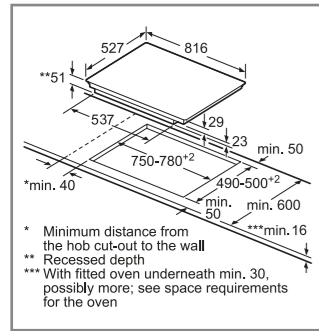
● = Yes - = No
a. sw upd. - a software update
All models comply with COMMISSION REGULATION (EC) No 1275/2008 with regard to ecodesign requirements for standby and off mode electric power consumption. 5 year warranty - Offer dates 01.04.25 - 31.03.26. T&C's apply. Online registration required. Selected models only.

TYPE	INDUCTION	INDUCTION	INDUCTION	INDUCTION
DESIGN FAMILY	SERIES 4	SERIES 4	SERIES 4	SERIES 2
MODEL	PUE611BB5E	PWP611BB5B	PUE611BB5B	PUG61RAA5B
Width in mm	592	592	592	592
Control position	Front	Front	Front	Front
Control type	Touch Select	Touch Select	Touch Select	Touch Select basic
Style	Frameless	Frameless	Frameless	Frameless
KEY FEATURES				
Home Connect	-	-	-	-
Hob Hood Control	-	-	-	-
PerfectCook temperature sensor ready	-	-	-	-
PerfectFry Sensor settings	-	-	-	-
Smart Hood Automatic	-	-	-	-
Favourite Button	-	-	-	-
Extended Flex Induction Zone	-	-	-	-
Number of Flex Induction Zones	-	-	-	-
Number of Combi Zones	-	1	-	-
HOB FEATURES				
Number of individual zones	4	4	4	4
Cooking Levels	17	17	17	9
Power Boost	●	●	●	Rear left only
Pan Boost	-	-	-	-
Move Mode	-	-	-	-
Energy Consumption Display	-	-	-	-
Keep Warm Function	-	-	-	-
Quick Start Function	●	●	●	●
Quick Stop (Quick switch-off)	●	●	●	●
Automatic setting transfer	-	-	-	-
Restart Function	●	●	●	-
Demo Mode	-	-	-	-
Dish Categories / Setting Recommendations	-	-	-	-
Wipe Protection Function (Pause Function)	-	-	-	-
Plug&Play with GB Plug	-	●	●	●
SAFETY FEATURES				
Residual Heat Indicator	●	●	●	●
Childproof Lock	●	●	●	●
Pause Function	-	-	-	-
Countdown timer (Timer with automatic switch-off for each zone)	●	●	●	-
Safety Time Switch off	●	●	●	●
Pan recognition	●	●	●	●
Count up Timer	-	-	-	-
Main on/off switch	●	●	●	●
PERFORMANCE / TECHNICAL INFORMATION				
Maximum power output (kW)	4600	3700	3700	3700
Nominal voltage (V)	220-240	220-240	220-240	220-240
Electrical cable length (cm)	110	110	110	110
Rear left Flex Induction zone - power (kW) / dimensions (mm)	-	-	-	-
Rear left zone - power (kW) / diameter (mm)	1.80	1.80	1.80	1.80
Rear right Flex Induction zone - power (kW) / dimensions (mm)	-	-	-	-
Rear right zone - power (kW) / diameter (mm)	1.40	145	1.40	145
Rear centre zone - power (kW) / diameter (mm)	-	-	-	-
Front centre zone - power (kW) / diameter (mm)	-	-	-	-
Front left Flex Induction zone - power (kW) / dimensions (mm)	-	-	-	-
Front left zone - power (kW) / diameter (mm)	1.80	1.80	1.80	1.80
Front right Flex Induction zone - power (kW) / dimensions (mm)	-	-	-	-
Front right zone - power (kW) / diameter (mm)	2.20	210	2.20	210
Flex Induction zone left - power (kW) / dimensions (mm)	-	-	-	-
Flex Induction zone right - power (kW) / dimensions (mm)	-	-	-	-
Extended Flex Induction rear left - power (kW) / dimensions (mm)	-	-	-	-
Extended Flex Induction rear right - power (kW) / dimensions (mm)	-	-	-	-
Combi Zone left - power (kW) / dimensions (mm)	-	3.60	388x180	-
Combi Zone right - power (kW) / dimensions (mm)	-	-	-	-
Rear left zone - with Power Boost (max. kW)	3.10	3.10	3.10	3.10
Rear right zone - with Power Boost (max. kW)	2.20	2.20	2.20	-
Rear centre zone - with Power Boost (max. kW)	-	-	-	-
Front left zone - with Power Boost (max. kW)	3.10	3.10	3.10	-
Front right zone - with Power Boost (max. kW)	3.70	3.70	3.70	-

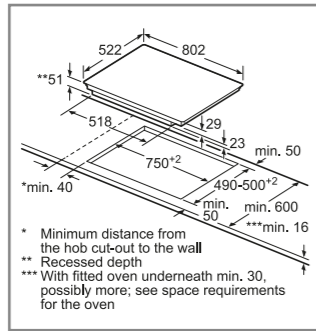
● = Yes - = No

Flex Induction and Induction hobs technical diagrams

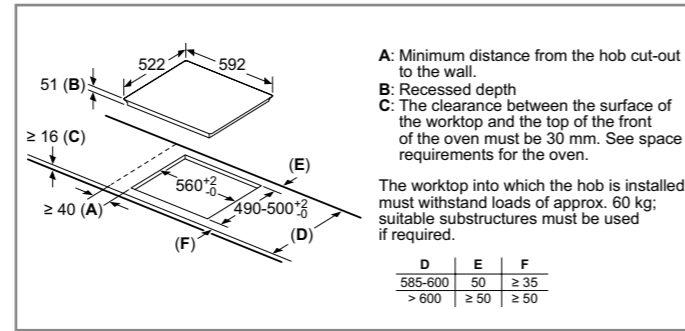
FlexInduction hobs



PXY83KHC1E



PXV831HC1E

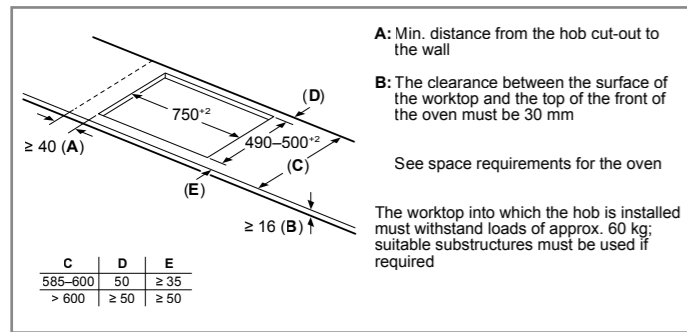


PIX631HC1E

A: Minimum distance from the hob cut-out to the wall.
B: Recessed depth
C: The clearance between the surface of the worktop and the top of the front of the oven must be 30 mm. See space requirements for the oven.
 The worktop into which the hob is installed must withstand loads of approx. 60 kg; suitable substructures must be used if required.

D	E	F
585-600	50	≥ 35
> 600	≥ 50	≥ 50

Induction hobs

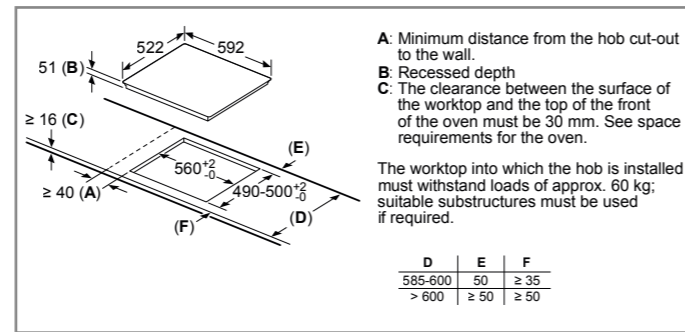


PVW831HB1E, PIV831HB1E

A: Min. distance from the hob cut-out to the wall
B: The clearance between the surface of the worktop and the top of the front of the oven must be 30 mm
 See space requirements for the oven

The worktop into which the hob is installed must withstand loads of approx. 60 kg; suitable substructures must be used if required

C	D	E
585-600	50	≥ 35
> 600	≥ 50	≥ 50



PIE631BB5E, PUE611BB5E, PWP611BB5B, PUE611BB5B, PUG61RAA5B

A: Minimum distance from the hob cut-out to the wall.
B: Recessed depth
C: The clearance between the surface of the worktop and the top of the front of the oven must be 30 mm. See space requirements for the oven.
 The worktop into which the hob is installed must withstand loads of approx. 60 kg; suitable substructures must be used if required.

D	E	F
585-600	50	≥ 35
> 600	≥ 50	≥ 50

All diagram measurements are in millimetres (mm)

We try to keep up to date with constant technological improvements, so from time to time we may update installation guidelines. Therefore we strongly recommend that you download the latest installation guidelines from www.bosch-home.co.uk. Line drawings are for guidance only, and we recommend that you refer to the latest installation guidelines. Though every care is taken to ensure instructions are correct at the time of printing, Bosch cannot accept responsibility for incorrect planning or installation as a result of the use of these line drawings.

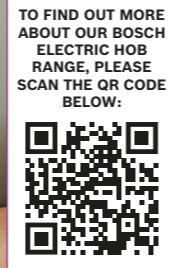
Explore more at bosch-home.co.uk / bosch-home.ie

Flex Induction and Induction hob accessories

DESCRIPTION	ACCESSORY NR	PVQ731H26E	PVS811B16E	PVS611B16E	PXY83KHC1E	PXV831HC1E	PIX631HC1E	PVW831HB1E
Flex Pan Set 4 pcs. (1 x Flex Pan large, 1 x Flex Pan medium and 2 x Flex Pan small with lids)	HEZ9FF040				•	•	•	
Flex Pan Set 3 pcs. (1 x Flex Pan large, 1 x Flex Pan medium and 1 x Flex Pan small with lid)	HEZ9FF030				•	•	•	
Flex Pan large (approx. 35 x 22cm)	HEZ9FF010				•	•	•	
Flex Pan large (approx. 35 x 22cm)	HEZ9TY010				•	•	•	
Wireless temperature sensor	HEZ39050				•			
Teppan Yaki (approx. 40x200mm)	HEZ9TY010				•	•	•	
Griddle plate (approx. 40x200mm)	HEZ390522				•	•	•	
Rectangular roasting pan with lid (approx. 32x200mm)	HEZ390011	•			•	•	•	
BergHoff three piece pan set (1 x frying pan, 2 x pot)	HEZ9SE030	•	•	•	•	•	•	•
Steam Cooking Insert	HEZ390012				•	•	•	
Wireless Multi-Point Meat Probe	HEZ32WA00	•	•	•	•	•	•	•

DESCRIPTION	ACCESSORY NR	PIV851FB1E	PVQ651FC5E	PIE651BB1E	PWP631BB1E	PUE611BB1E	PWP631BF1B	PUE611BF1B	PUG61RAA5B	PIB375FB1E
Four piece pan set (1 x sauté pan, 2 x pots with lids and 1 x milk pan)	HEZ9SE040	•	•	•	•	•	•	•	•	•

Experience the versatility and user-friendly nature of Bosch electric hobs. Compatible with all types of pots and pans, these hobs effortlessly create delicious meals with enhanced precision. They are not only powerful, but stylish too, making a great addition to any kitchen.



Series 4
Our **Series 4** range is simple to operate and easy to clean with added functions to help elevate your cooking experience.

Series 2
Featuring a range of electric hobs that are convenient and simple to operate, our **Series 2** range maintains classic design and style.

Featured model: PKE61RAA8B Series 2 Electric Hob



New available in April 2025



TYPE	CERAMIC	CERAMIC	CERAMIC
DESIGN FAMILY	SERIES 4	SERIES 2	SERIES 2
MODEL	PKH811BB1D	PKE61RAA8B	PKE611CA3E
Width in mm	795	592	592
Control position	Front	Front	Side
Control type	TouchSelect	TouchSelect	Control Dials
Style	Frameless	Frameless	Frameless
KEY FEATURES			
Number of individual zones	4	4	4
No. of Dual Zones	2	-	-
No. of Extendable Zones	2	-	-
Power Boost	-	-	-
Power Levels	17	9	9
Digital Display	•	•	-
Quick Stop (Quick switch-off)	•	•	-
Restart Function	•	-	-
Energy Consumption Display	-	-	-
Demo Mode	-	•	-
Keep warm function	-	-	-
"Plug&Play" with GB Plug	-	-	-
Wipe protection function (Pause Function)	-	-	-
SAFETY FEATURES			
Residual Heat Indicators	•	•	•
Childproof Lock	•	•	-
Safety Time Switch off	•	•	-
Countdown Timer	-	-	-
Count up Timer	-	-	-
Main on/off switch	•	•	-
PERFORMANCE / TECHNICAL INFORMATION			
Maximum power output (W)	7400	6400	6600
Nominal voltage (V)	220-240	220-240	220-240
Electrical cable length (cm)	-	100	-
Rear left zone - power (kW) / diameter (mm)	1.20 / 145	2.00 / 180	2.20 / 210
Rear right zone - power (kW) / diameter (mm)	- / -	1.20 / 145	1.20 / 145
Rear centre zone - power (kW) / diameter (mm)	1.50 / 180 (230)	- / -	- / -
Front left zone - power (kW) / diameter (mm)	0.75 / 120 (210)	1.20 / 145	1.20 / 145
Front right zone - power (kW) / diameter (mm)	1.80 / 170 (265)	2.00 / 180	2 / 180
Rear left zone dual - power (kW) / diameter (mm)	- / -	- / -	- / -
Rear right zone dual - power (kW) / diameter (mm)	2.40 / 230	- / -	- / -
Front left zone dual - power (kW) / diameter (mm)	2.20 / 210	- / -	- / -
Front right zone dual - power (kW) / diameter (mm)	2.60 / 265	- / -	- / -
OPTIONAL ACCESSORIES			
Wireless Meatprobe	HEZ32WA00	HEZ32WA00	HEZ32WA00
Wireless temperature sensor	-	-	-
Set of three pans	HEZ9SE030	-	HEZ9SE030
Four piece pan set	HEZ9SE040	HEZ9SE040	HEZ9SE040

• = Yes - = No

Electric hob functions explained.

Check model for available functions.

Touch Select: Selection of desired cooking zone and easy setting of the desired power level.

RoasterZone: An extra cooking zone you can switch on for larger cookware e.g. roasters.

Two-Ring Cooking Zone: Use regular or larger cookware on the extendable cooking zone.

Timer with Switch-Off: Automatically turns off the assigned cooking zone after the set time.

Control panel lock: Prevent unintended activation of the hob.

Restart: Restores cooktop settings in case of unintentional hob switch-off.

Quick Stop: Quickly switch off a cooking zone with one longer touch.

Automatic Safety Shut-Off: Cooktop will turn off if the cooking zone has been in use for a long period without any changes.

Child Safety: The built-in lock function locks the surface of your hob and prevents it from being used accidentally, giving you the highest level of safety.

Accessories

We have a range of accessories that are compatible with our range of hobs* to help you elevate your cooking experience!

*See accessory details for which hob models are compatible

- Wireless multi-point meat probe
- PerfectCook wireless temperature sensor*
- Flex pan sets
- Teppan Yaki pan
- Pan sets
- Griddle plate
- Roasting pan
- BergHOFF induction pan set

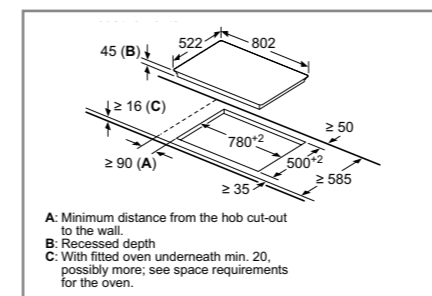
*Only available for PerfectCook ready models

See page 41 for more information or visit our website.



Featured model: HEZ9FF040
Pans part of flex pan set

Electric hobs

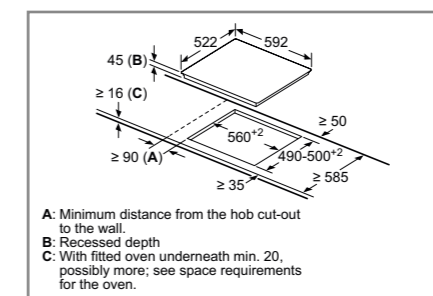


PKH811BB1D

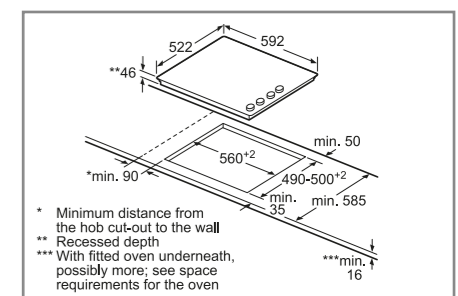
We try to keep up to date with constant technological improvements, so from time to time we may update installation guidelines. Therefore we strongly recommend that you download the latest installation guidelines from www.bosch-home.co.uk. Line drawings are for guidance only, and we recommend that you refer to the latest installation guidelines. Though every care is taken to ensure instructions are correct at the time of printing, Bosch cannot accept responsibility for incorrect planning or installation as a result of the use of these line drawings.

All models comply with COMMISSION REGULATION (EC) No 1275/2008 with regard to ecodesign requirements for standby and off mode electric power consumption.

All diagram measurements are in millimetres (mm)



PKE61RAA8B



PKE611CA3E

Welcome to intuitive cooking. The advanced technology built into our hobs makes cooking on gas simple and precise. Understanding how you cook means we've been able to design a **Flame Select** feature that lets you fry, stew, steam and boil with confidence – without constantly checking the flame. Our new designs also offer removable parts to make cleaning your hob easier than ever.

TO FIND OUT MORE ABOUT OUR BOSCH GAS HOB RANGE, PLEASE SCAN THE QR CODE BELOW:



New available in April 2025



New available in April 2025



New available in April 2025

Model shown: PPM9A6I40

Series 6

Gas hobs with premium engineering and materials providing full gas control and easy cleaning features. With our **Series 6** range, cooking and cleaning has never been easier.

Series 4

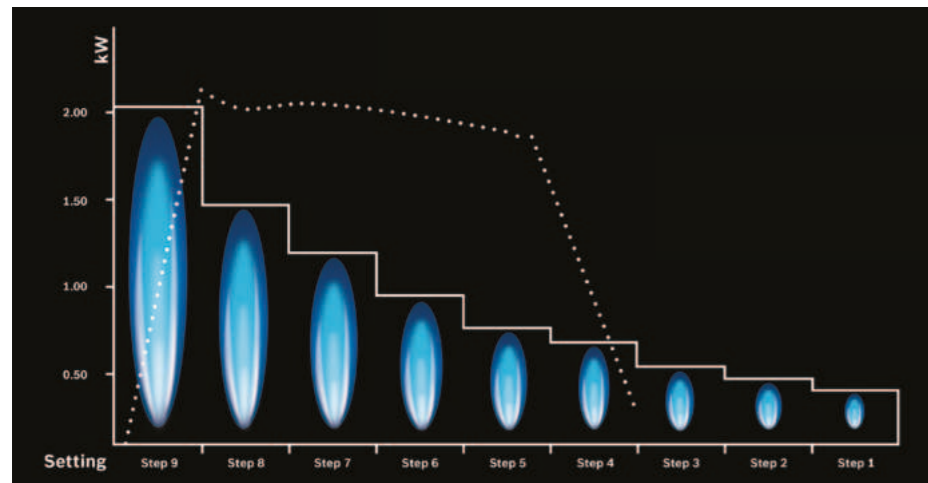
Featuring fresh designs and new convenient features, our **Series 4** range is simple to operate and easy to clean to help elevate your cooking experience.

Series 2

Featuring a range of gas hobs that are convenient and simple to operate, our **Series 2** range maintains classic design and style.

Flame Select Gas without the guesswork.

The gas cooktops with Flame Select are equipped with nine precisely defined power levels, which let you adjust the required heat easily and reliably. For simply perfect cooking results.



..... Standard gas hob valve power output. — Flame Select valve power output.

Flame Select

We're taking the guesswork out of using a gas hob. Our innovative Step Valve technology regulates the gas output precisely, so you're able to choose the size of flame. With an easy-to-use setting, all you need to do is decide which of the 9 power settings you want. Flame Select gives you the confidence to cook on gas without leaning down to check it.

Flame size based on gas setting and energy consumption

Explore more at [bosch-home.co.uk](https://www.bosch-home.co.uk) / [bosch-home.ie](https://www.bosch-home.ie)

Gas hob functions explained.

Flame Select: A precise adjustment of the flame in nine defined levels.

Dual flame power burner: Two heat options, from full power heat-up to low simmer.

Wok burner: Powerful cooking up to 5kW.

NEW Sword dials: Direct, simple selection of the cooking zone.

Dishwasher-safe pan supports: Easy, scrub-free cleaning.

NEW Removable dials: Removable for easy and effortless cleaning.

NEW Semi-continuous pan supports: Smaller for easy cleaning, yet providing a seamless cooking surface.

Continuous cast-iron pan support: For high firmness and stability of cookware.

Tempered-glass surface: Elegant design and easy cleaning.

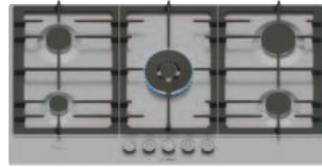
Standard and semi-flush built-in option: Choose between flush or surface mounted installation.

NEW Biomethane-ready: Power your gas hob with renewable gas.

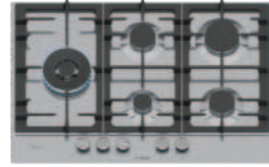
TYPE	GAS	GAS	GAS
DESIGN FAMILY	SERIES 6	SERIES 6	SERIES 6
STAINLESS STEEL / STAINLESS STEEL TRIM	-	-	-
BLACK / PREMIUM BLACK	PPM9A6I40	PPQ7A6I40	PPP6A6I40
WHITE / PREMIUM WHITE	-	-	-
Width (mm)	915	752	590
Control position	Front	Front	Front
Dial Type	Detachable metallic	Detachable metallic	Detachable metallic
Installation flush with work top possible	•	•	•
Hob surface type	Tempered glass	Tempered glass	Tempered glass
KEY FEATURES			
Flame Select power controls	•	•	•
Digital power level display	-	-	-
Number of dual circuit wok style burners	1	1	-
High power (5.0kW+) wok burner	-	-	-
Dual control wok burner	•	•	-
FEATURES			
Number of cooking zones	5	5	4
Individual power levels	9	9	9
Variable power levels	-	-	-
Cast iron pan supports (number)	5 x Dishwasher safe	5 x Dishwasher safe	4 x Dishwasher safe
Cast iron finish pan supports (number)	-	-	-
Two piece burners	•	•	•
SAFETY FEATURES			
Ignition via control dials	•	•	•
Flame failure safety device	•	•	•
PERFORMANCE / TECHNICAL INFORMATION			
Maximum gas power output load (W)	11500	11500	7500
Nominal voltage (V)	220-240	220-240	220-240
Total connected electrical load (W)	1.1	1.1	1.1
Cable length (cm)	100	100	100
GB plug	-	-	-
Left burner power (kW)	4.00	-	-
Front left burner power (kW)	-	1.00	1.75
Rear left burner power (kW)	-	1.75	1.75
Centre / Centre front burner power (kW)	1.00	4.00	-
Centre back burner power (kW)	1.75	-	-
Rear right burner power (kW)	3.00	3.00	3.00
Front right burner power (kW)	1.75	1.75	1.00
Right burner power (kW)	-	-	-
Pre-set for natural gas	•	•	•
CE Marked	•	•	•
STANDARD ACCESSORY			
LPG jets	28-30 / 37mbar	28-30 / 37mbar	28-30 / 37mbar
OPTIONAL ACCESSORY			
Wireless Meatprobe	HEZ32WA00	HEZ32WA00	HEZ32WA00

• = Yes - = No

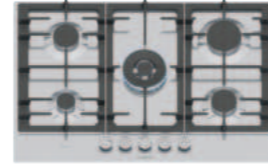
All models comply with COMMISSION REGULATION (EC) No 1275/2008 with regard to ecodesign requirements for standby and off mode electric power consumption.



New available in April 2025



New available in April 2025



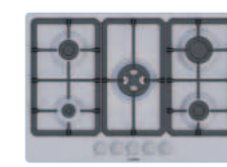
New available in April 2025

TYPE	GAS	GAS	GAS
DESIGN FAMILY	SERIES 6	SERIES 6	SERIES 6
STAINLESS STEEL / STAINLESS STEEL TRIM	PCR9A5I90	PCS7A5I90	PCQ7A5I90
BLACK / PREMIUM BLACK	-	-	-
WHITE / PREMIUM WHITE	-	-	-
Width (mm)	915	750	750
Control dial position	Front	Front	Front
Dial Type	Detachable metallic	Detachable metallic	Detachable metallic
Installation flush with work top possible	-	-	-
Hob surface type	Metal	Metal	Metal
KEY FEATURES			
Flame Select power controls	●	●	●
Digital power level display	-	-	-
Number of dual circuit wok style burners	1	1	1
High power (5.0kW+) wok burner	●	●	-
Dual control wok burner	●	●	●
FEATURES			
Number of cooking zones	5	5	5
Individual power levels	9	9	9
Variable power levels	-	-	-
Cast iron pan supports (number)	3 x Dishwasher safe	3 x Dishwasher safe	3 x Dishwasher safe
Cast iron finish pan supports (number)	-	-	-
Two piece burners	●	●	●
SAFETY FEATURES			
Ignition via control dials	●	●	●
Flame failure safety device	●	●	●
PERFORMANCE / TECHNICAL INFORMATION			
Maximum gas power output load (W)	12500	12500	11500
Nominal voltage (V)	220-240	220-240	220-240
Total connected electrical load (W)	1.1	1.1	1.1
Cable length (cm)	150	100	100
GB plug	-	-	-
Left burner power (kW)	-	5.00	-
Front left burner power (kW)	1.00	-	1.00
Rear left burner power (kW)	1.75	-	1.75
Centre / Centre front burner power (kW)	5.00	1.00	4.00
Centre back burner power (kW)	-	1.75	-
Rear right burner power (kW)	3.00	3.00	3.00
Front right burner power (kW)	1.75	1.75	1.75
Right burner power (kW)	-	-	-
Pre-set for natural gas	●	●	●
CE Marked	●	●	●
STANDARD ACCESSORY			
LPG jets	28-30 / 37mbar	28-30 / 37mbar	28-30 / 37mbar
OPTIONAL ACCESSORY			
Wireless Meatprobe	HEZ32WA00	HEZ32WA00	HEZ32WA00

● = Yes - = No



New available in April 2025



New available in April 2025



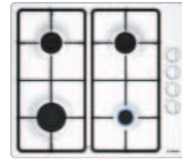
New available in April 2025

TYPE	GAS	GAS	GAS
DESIGN FAMILY	SERIES 6	SERIES 4	SERIES 4
STAINLESS STEEL / STAINLESS STEEL TRIM	PCP6A5I90	PGQ7B5K90	-
BLACK / PREMIUM BLACK	PCP6A6I90	-	PNP6B6K40
WHITE / PREMIUM WHITE	-	-	-
Width (mm)	582	750	590
Control dial position	Front	Front	Front
Dial Type	Detachable metallic	Plastic	Plastic
Installation flush with work top possible	-	-	●
Hob surface type	Metal	Metal	Tempered glass
KEY FEATURES			
Flame Select power controls	●	-	-
Digital power level display	-	-	-
Number of dual circuit wok style burners	-	1	-
High power (5.0kW+) wok burner	-	-	-
Dual control wok burner	-	-	-
FEATURES			
Number of cooking zones	4	5	4
Individual power levels	9	-	-
Variable power levels	-	●	●
Cast iron pan supports (number)	2 x Dishwasher safe	3 x Dishwasher safe	4 x Dishwasher safe
Cast iron finish pan supports (number)	-	-	-
Two piece burners	●	●	●
SAFETY FEATURES			
Ignition via control dials	●	●	●
Flame failure safety device	●	●	●
PERFORMANCE / TECHNICAL INFORMATION			
Maximum gas power output load (W)	7500	10800	7500
Nominal voltage (V)	220-240	220-240	220-240
Total connected electrical load (W)	1.1	1.1	1.1
Cable length (cm)	100	99	100
GB plug	-	-	-
Left burner power (kW)	-	-	-
Front left burner power (kW)	1.75	1.00	1.75
Rear left burner power (kW)	1.75	1.75	1.75
Centre / Centre front burner power (kW)	-	3.30	-
Centre back burner power (kW)	-	-	-
Rear right burner power (kW)	3.00	3.00	3.00
Front right burner power (kW)	1.00	1.75	1.00
Right burner power (kW)	-	-	-
Pre-set for natural gas	●	●	●
CE Marked	●	●	●
STANDARD ACCESSORY			
LPG jets	28-30 / 37mbar	28-30 / 37mbar	28-30 / 37mbar
OPTIONAL ACCESSORY			
Wireless Meatprobe	HEZ32WA00	HEZ32WA00	HEZ32WA00

● = Yes - = No



New available in April 2025



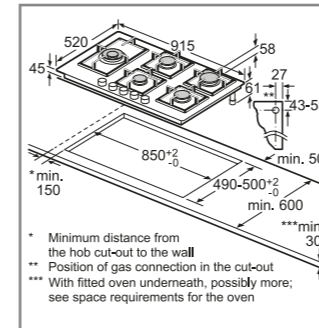
New available in April 2025

TYPE	GAS	GAS
DESIGN FAMILY	SERIES 4	SERIES 2
STAINLESS STEEL / STAINLESS STEEL TRIM	PGP6B5K90	PBP6B5K60
BLACK / PREMIUM BLACK	-	PBP6B2K60
WHITE / PREMIUM WHITE	-	PBP6B2B60
Width (mm)	582	580
Control dial position	Front	Right Side
Dial Type	Plastic	Plastic
Installation flush with work top possible	-	-
Hob surface type	Metal	Metal
KEY FEATURES		
Flame Select power controls	-	-
Digital power level display	-	-
Number of dual circuit wok style burners	-	-
High power (5.0kW+) wok burner	-	-
Dual control wok burner	-	-
FEATURES		
Number of cooking zones	4	4
Individual power levels	-	-
Variable power levels	●	●
Cast iron pan supports (number)	2 x Dishwasher safe	-
Cast iron finish pan supports (number)	-	2
Two piece burners	●	●
SAFETY FEATURES		
Ignition via control dials	●	●
Flame failure safety device	●	●
PERFORMANCE / TECHNICAL INFORMATION		
Maximum gas power output load (W)	7500	7500
Nominal voltage (V)	220-240	220-240
Total connected electrical load (W)	1.1	1.1
Cable length (cm)	100	100
GB plug	-	-
Left burner power (kW)	-	-
Front left burner power (kW)	1.75	3.00
Rear left burner power (kW)	1.75	1.75
Centre / Centre front burner power (kW)	-	-
Centre back burner power (kW)	-	-
Rear right burner power (kW)	3.00	1.75
Front right burner power (kW)	1.00	1.00
Right burner power (kW)	-	-
Pre-set for natural gas	●	●
CE Marked	●	●
STANDARD ACCESSORY		
LPG jets	28-30 / 37mbar	28-30 / 37mbar
OPTIONAL ACCESSORY		
Wireless Meatprobe	HEZ32WA00	HEZ32WA00

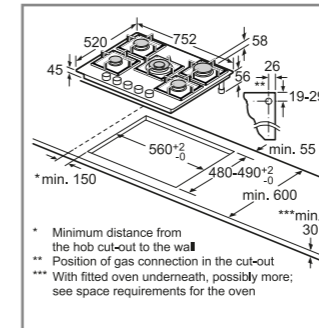
● = Yes - = No

Gas hobs technical diagrams

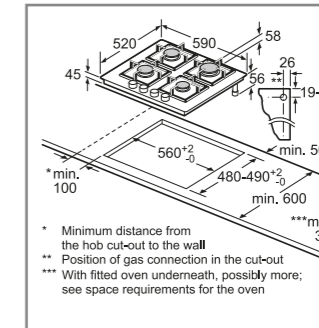
Gas hobs



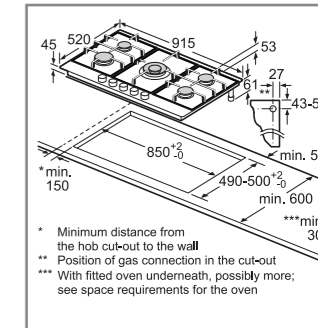
PPM9A6I40



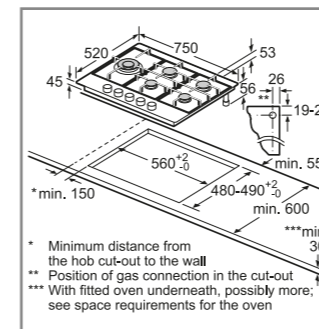
PPQ7A6I40



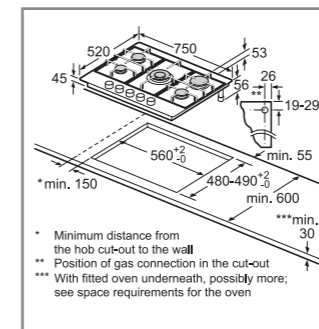
PPP6A6I40, PNP6B6K40



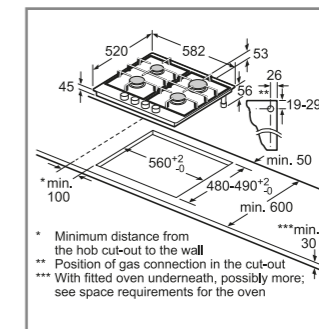
PCR9A5I90



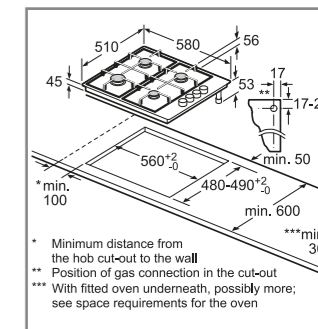
PCS7A5I90



PCQ7A5I90, PGQ7B5K90



PGP6B5K90, PCP6A5I90, PCP6A6I90



PBP6B5K60, PBP6B2K60, PBP6B2B60

All diagram measurements are in millimetres (mm)

We try to keep up to date with constant technological improvements, so from time to time we may update installation guidelines. Therefore we strongly recommend that you download the latest installation guidelines from www.bosch-home.co.uk. Line drawings are for guidance only, and we recommend that you refer to the latest installation guidelines. Though every care is taken to ensure instructions are correct at the time of printing, Bosch cannot accept responsibility for incorrect planning or installation as a result of the use of these line drawings.

Introducing the hood range



Offering a blend of function and form, Bosch hoods deliver quiet, effective extraction that makes the kitchen and home a more pleasant environment. Make a bold design statement or complement a more minimalist look. To help you choose the right hood, we have divided them into four ranges.



Series 8

With our **Series 8** range of hoods, experience automatic extraction rate control with **PerfectAir** sensor technology. Our hoods offer high quality craftsmanship combined with cutting-edge technologies to make the kitchen a more pleasant environment.

Series 6

Ultimate convenience and tasteful design make cooker hoods within our **Series 6** range an asset to any stylish kitchen. Electronic controls give you ease of use. Experience maximum operating convenience with touch controls from Bosch.

Series 4

As the centre of family life, the kitchen needs to have a comfortable atmosphere free of cooking steam and disruptive noise. Our **Series 4** range of cooker hoods are extremely quiet, easy to operate and impressive with their modern design.

Series 2

With our **Series 2** range of hoods, you can be assured of high quality design and features that make your life easier in the kitchen, such as easy-to-use controls and dishwasher proof metal grease filters for greater convenience.

Wall mounted hoods



Model shown: DWK91LT60

Wall-mounted cooker hoods are generally mounted above the hob on the wall. This type of cooker hood fits beautifully into the line of your kitchen units whilst providing effective ventilation that you'll barely see – but you'll notice the amazing effect. These feature the Bosch clip which can be matched with other Bosch appliances in your kitchen.

Island hoods



Model shown: PXX875D67E

Our range of island hoods includes **GlassDraft, Venting hobs, and Ceiling hoods.** These ventilation solutions are ideal for open plan kitchens and design flexibility.



Model shown for illustration purposes only

Integrated hoods

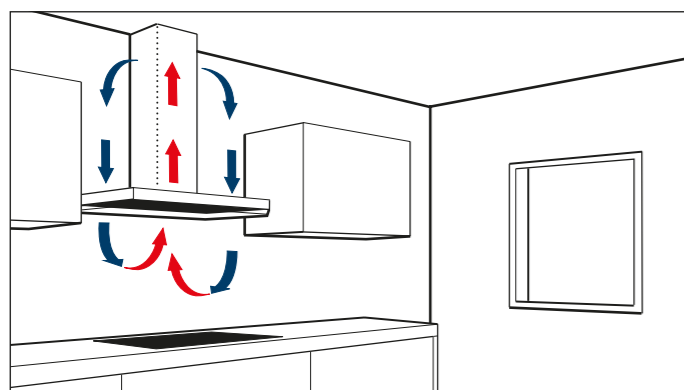
If you prefer a truly minimalist design, integrated hoods could be the best solution since they are seamlessly built into your cabinetry.

Integrated hoods work well in smaller kitchens too, where it's important to maintain an open and airy space. As they are installed flush with the upper cabinets, they allow your kitchen to maintain a clean and uncluttered look.



Model shown: DLN77AC60B

The best way to remove steam and odours is to extract the air out of the room through ducting. Unfortunately, in apartments or where the hood is too far away from an outside wall, this may not be possible. In this case, the only alternative is to recirculate the air. Stale air is sucked through a grease filter, before being purified in a charcoal filter, and then pumped back into the kitchen via an opening in the hood.



Recirculation

Recirculating

Removes between 70-95% of odours depending on the filter used. This requires changing of the charcoal filter on a regular basis, or a longer-lasting regenerative filter for certain models can be used.

Use the following equation to calculate your extraction rate:

Volume of kitchen (length x width x height)
eg. 4m x 3m x 2.5m = 30m³

6 x volume in normal operation and
12 x volume in intensive operation.

Please note that these are recommended estimates only to be used as a guide. This assumes a 2.5m standard ceiling height with 12 air changes per hour to match to an intensive extraction rate.

Identify your extraction rate

Your extractor needs to circulate the air in the room 6 times in normal operation and 12 times in intensive operation, per hour. Use the below to help identify the required extraction rate which can then be used to help you select the appropriate extractor.

	2.5M	3M	3.5M	4M	4.5M	5M
2.5M	16m ³					
3M	19m ³	23m ³				
3.5M	22m ³	26m ³	31m ³			
4M	25m ³	30m ³	35m ³	40m ³		
4.5M	28m ³	34m ³	39m ³	45m ³	51m ³	
5M	31m ³	38m ³	44m ³	50m ³	56m ³	63m ³

Recirculation Filters

We offer a range of recirculation filters that are available depending on the model of hood you choose. Featuring powerful odour reduction rates and performance benefits, our new regenerative filters can last up to 10 years and are regenerated through a heating process in the oven every 4 months.

TYPE :	STANDARD ODOUR FILTER	CLEANAIR PLUS FILTER	LONG LIFE REGENERATIVE FILTER
KEY BENEFITS			
Up to 3dB (A) sound reduction	-	•	•
Simple installation	•	-	-
Better extraction performance	-	•	-
Regenerated in the oven every 4 months recommended (2 hours 200°C)	-	-	•
Anti-fish treatment	•	•	-
Removes over 99% of all pollen	-	•	-
Better extraction performance	-	-	•
Odour reduction	Up to 85%	Up to 95%	Up to 95% (Up to 86% if installed without a chimney)
Recommended exchange	Approx. 2 times per year	Approx. once per year	Approx. once every 10 years
INSTALLATION			
Behind grease filter, inside the hood	•	-	-
Extra module attached to hood chimney (stainless steel)	-	-	-
Extra module (as per CleanAir filter) onto chimney or inside chimney.	-	-	•
New Chimney Hoods: Integrated plastic module fitted inside the chimney piece	-	•	-
'Chimless' installation possible (Angled and Flat only)	-	-	•
INSTALLATION WITHOUT CHIMNEY POSSIBLE			
Angled and Flat only	•	•	•

CleanAir Plus and Regenerative filters not available for all styles of hood. Additional module may be required to house the filter. Images for example only, different filters may come in a different sizes and styles.

Installation

The following points should be observed for optimum ducted extraction results and low noise.

1. Ensure any pipe elbow bends are at least 30cm from the hood ducting opening.
2. Avoid reducing the diameter or area of the ducting.
3. Use wide-angled pipe elbows, but keep the number used to a minimum.
4. Only install pipes with smooth, even inner surfaces. If a flexible hose has to be used, ensure it is pulled tight to smooth out the ridges before fixing.
5. Use ducting pipes with a diameter of at least 120mm, but ideally 150mm.
6. Keep piping to a minimum – use the most direct route to an external outlet.
7. Make sure that there is an adequate supply of fresh air to replace the air ducting out of the kitchen, i.e. windows that can be opened, doors to adjacent rooms, air bricks. Problems with installation may occur if points 1-7 are not observed.

Easy mounting system

Thanks to an easy wall-mounting system, selected hoods can be installed quickly and securely by one person. Rotating offset 'cam' fixings make it possible for positional adjustments of up to 6mm, helping to get the hood level and stable. (Not available on all our hoods.)

Installation tips

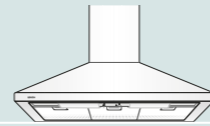
Hoods

Keep air fresh and free of cooking smells

Extractor hoods are an integral part of a clean and fresh working kitchen environment. Not only do Bosch extractor hoods look good and add a professional touch to your kitchen, they also deal quietly and efficiently with the key tasks of eliminating unwanted odours and removing grease and moisture from the kitchen.

Chimney extractor hoods

Choose between wall-mounted models or an island version to create a striking focal point in the kitchen. Some models are further enhanced by glass canopies. Available in the following sizes: 60, 75, and 90cm wide.

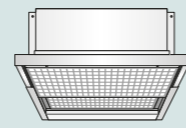


Chimney extractor easy mounting system

Installing your new cooker hood in the kitchen is quick and straightforward with the patented easy mounting system. The self-levelling fixing rings allow you to precision adjust the horizontal position of the hood by up to a 6mm radius.

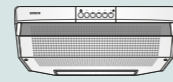
Telescopic extractor

Ideal where an unobtrusive extractor is required. Built into a wall cabinet above the hob, it can be extended when in use, and retracted when not. Use the special handle profile accessory, or if you prefer, a matching pelmet from your kitchen supplier. Available in the following sizes: 60 or 90cm wide.



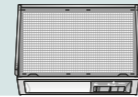
Built-under extractor hoods

Ideal where space is at a premium, these 14cm tall extractors can be mounted directly to the wall or suspended beneath a reduced height wall cupboard. 60cm wide.



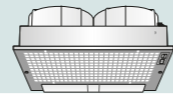
Integrated extractor hoods

Integrated extractor hoods are designed to be mounted between two cabinets with a matching furniture door affixed to the front.



Canopy extractor hoods

Designed to fit discreetly into the base of a wall cupboard, or specially designed furniture canopy with operation from below.



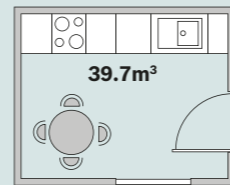
Choosing the correct extractor

As a guideline, the air in the room should be changed six to twelve times per hour. Calculate the floor area in square metres and multiply by the height of the room in metres. Then divide the maximum extraction rate of your chosen hood by the figure calculated above. The resulting figure should be at least seven, but preferably as close to twelve as possible.

Example

Kitchen (H x W x D) metres 2.1 x 4.5 x 4.2 = 39.7m³.
Assume a maximum of 12 air changes per hour – multiply 39.7m³ by 12 = 476m³/h.
Choose a hood capable of extracting at least this amount of air per hour – e.g. DWB96DM50B (max ducted extraction rate intensive 580m³ per hour).

To avoid excessive noise, try to select a model which meets the above requirements on an intermediate speed, rather than at the highest speed.



$$12 \times 39.7\text{m}^3 = 476\text{m}^3/\text{h}$$

Island hoods provide efficient ventilation directly above or in your kitchen island, ensuring the removal of cooking fumes and odours for improved air quality. Additionally, they offer design flexibility and can act as a stylish focal point in the kitchen.



Model shown: DDW88MM60B

Worktop hoods

Our GlassDraft extractor fits seamlessly into your kitchen and disappears out of sight into the cabinets below when not in use.

Guided Air
Perfect extraction performance regardless of pot height and pot position.

PerfectAir Sensor
Automatic extractor control for high performance with low noise.

Hob-Hood Control
With a connected hood and hob, your hood will automatically turn on as it detects hob cooking. You can then adjust the power level of your hood via your hob or the Bosch Home Connect app.

Eco Silence Drive™
The powerful, energy-saving drive for hoods.

To create a seamless combination of hob and hood installation the GlassDraft can be combined with selected hobs.



Model shown: PVS811B16E



Model shown: DRC97AQ50B

Quick checklist

Type of hood

- Chimney
- Telescopic
- Conventional
- Integrated
- Canopy
- Ceiling
- Ducted
- Re-circulated
- Width of hood
- Size of kitchen
- Required extraction rate

Venting hobs

To give you more freedom and flexibility in designing your kitchen, we've developed hobs with an integrated ventilation module.

Integrated ventilation module

The hob and hood in one.



PerfectAir Sensor

Automatic extractor control for high performance with low noise.



Bosch Home Connect

Make controlling your hood simple.

Ceiling hoods

A flush fit ceiling hood is normally installed into a false ceiling. It not only ensures clean air, it also provides excellent lighting for your hob and creates more space in island kitchen cabinets.



Hob-Hood Control

With a connected hood and hob, your hood will automatically turn on as it detects hob cooking. You can then adjust the power level of your hood via your hob or the Bosch Home Connect app.



Eco Silence Drive™

The powerful, energy-saving drive for hoods.

Order Seamless Combination

Step 1 – Glass Draft Hood

Order your glass draft hood
• DDW88MM60B

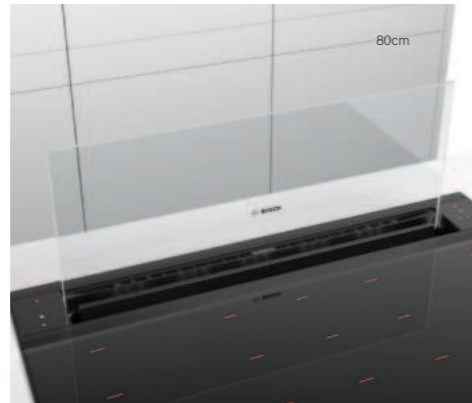
Step 2 – Induction Hob

Order your compatible induction hob

- PIV831HB1E
- PVW831HB1E
- PXV831HC1E
- PXY83KHC1E

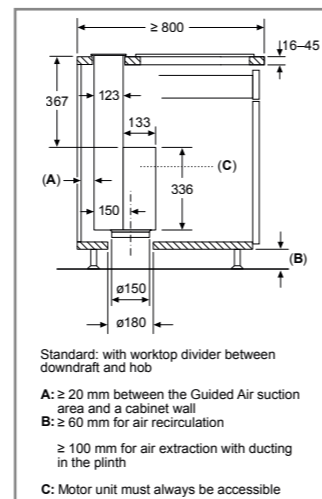
Step 3 – Seamless Installation Kit

Order your seamless combination kit
• DSZ8WW1Y2



HOOD TYPE	GLASS DRAFT HOOD
DESIGN FAMILY	SERIES 8
MODEL/WIDTH	DDW88MM60B/80CM
Colour	Black with clear Glass
KEY FEATURES	
Seamless Installation to Hob Available (Check Compatibility)	•
Home Connect	•
Guided Air	•
PerfectAir Sensor	•
Hob-hood control	•
EcoSilence Drive Motor	•
Intensive setting / Automatic intensive revert ¹	• / •
Filter Saturation Indicator	•
Filter Service Position	•
ADDITIONAL PROGRAMMES / FUNCTIONS	
Suitable for ducted operation / recirculating ²	•
Power levels	3 + 2 intensive
Automatic after running (minutes)	10
Lighting	Glass rim illumination
Type of control	Touch control
PERFORMANCE / TECHNICAL INFORMATION	
Energy Rating	A
Appliance width (mm)	802
EXTRACTION RATE IN M³/H ^(3,4)	
Power level 3 - ducted / recirculating	501 / 416
Intensive level 2 - ducted / recirculating	775 / 525
NOISE LEVEL (SOUND POWER) BASED ON DB(A) RE 1 PW ^(3,5)	
Power level 3 - ducted / recirculating	62 / 65
Intensive level 2 - ducted / recirculating	70 / 70
Pipe outlet diameter (mm)	150
Min. distance to an electric hob / gas hob ⁶ (mm)	0 / Not Compatible
GB plug	•
OPTIONAL ACCESSORIES ⁶	
Optional 80cm Seamless Installation Kit	DSZ8WW1Y2
Optional cleanAir Plus Recirculation Kit	DSZ1WW1I6
Remote Motor Installation Kit	DSZ1WW1M1

Glass draft hood

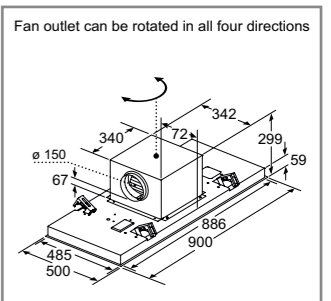


DDW88MM60B



HOOD TYPE	CEILING
DESIGN FAMILY	SERIES 6
MODEL/WIDTH	DRC97AQ50B/90CM
Colour	Stainless Steel
KEY FEATURES	
Home Connect	•
Hob-hood control	•
EcoSilence Drive Motor	•
Intensive setting / Automatic intensive revert ¹	• / •
Filter Saturation Indicator	•
ADDITIONAL PROGRAMMES / FUNCTIONS	
Suitable for ducted operation / recirculating ²	• / •
Power levels	3 + 2 intensive
Automatic after running (minutes)	10
Lighting	4 x LED lights
Softlight with dimmer function	•
Number of metal grease filter cassettes	2
Type of control	Remote Control
PERFORMANCE / TECHNICAL INFORMATION	
Energy Rating	A
Appliance width (mm)	900
EXTRACTION RATE IN M³/H ^(3,4)	
Power level 3 - ducted / recirculating	458 / 422
Intensive level 1 - ducted / recirculating	594 / 513
Intensive level 2 - ducted / recirculating	798 / 565
NOISE LEVEL (SOUND POWER) BASED ON DB(A) RE 1 PW ^(3,5)	
Power level 3 - ducted / recirculating	56 / 63
Intensive level 1 - ducted / recirculating	62 / 67
Intensive level 2 - ducted / recirculating	68 / 69
Pipe outlet diameter (mm)	150
Min. distance above an electric hob / gas hob ⁶ (mm)	650 / 650
GB plug	•
OPTIONAL ACCESSORIES ⁶	
CleanAir Plus Recirculating Module (Stainless Steel)	DIZ1JC5C6
CleanAir Plus Recirculating Module (White)	DIZ1JC2C6
Long Life Regenerative Recirculation Module (Stainless Steel)	DIZ0JC5D0
Long Life Regenerative Recirculation Module (White)	DIZ0JC2D0

Integrated hood



DRC97AQ50B

¹ Power automatically reverts back to normal setting after intensive.

² A type of recirculating kit is required if recirculating.

³ Air Flow and noise declarations made in line with CECEC Code of Conduct.

⁴ Measured according to EN61591 on largest pipe diameter.

⁵ Sound power measured according to EN60704-3 on largest pipe diameter.

⁶ From top of pan supports.

Depending on the model, a 'Recirculating odour filter kit' will consist of the following items: Charcoal filter, flexible hose, air duct, fixing components, installation instructions.

All diagram measurements are in millimetres (mm)

We try to keep up to date with constant technological improvements, so from time to time we may update installation guidelines. Therefore we strongly recommend that you download the latest installation guidelines from www.bosch-home.co.uk. Line drawings are for guidance only, and we recommend that you refer to the latest installation guidelines. Though every care is taken to ensure instructions are correct at the time of printing, Bosch cannot accept responsibility for incorrect planning or installation as a result of the use of these line drawings.

¹ Power automatically reverts back to normal setting after intensive.

² A type of recirculating kit is required if recirculating.

³ Air Flow and noise declarations made in line with CECEC Code of Conduct.

⁴ Measured according to EN61591 on largest pipe diameter.

⁵ Sound power measured according to EN60704-3 on largest pipe diameter.

⁶ From top of pan supports. Depending on the model, a 'Recirculating odour filter kit' will consist of the following items: Charcoal filter, flexible hose, air duct, fixing components, installation instructions.

All models comply with COMMISSION REGULATION (EC) No 1275/2008 with regard to ecodesign requirements for standby and off mode electric power consumption.

Bosch wall-mounted cooker hoods are ideal for kitchens where the hob is installed on a work surface next to the wall. Steam and odours are removed at the source without being given the chance to spread into your kitchen.



Model shown: DWK91LT60

Pyramid Chimney Hoods

Pyramid hoods impress with classic lines and the refined contours of the contemporary slim pyramid designs.

Quiet extraction

Low noise extraction with powerful performance.



LED Lights

The energy-saving lighting provides bright and clear lighting for the hob area.



Touch Control

Quickly select hood settings via touch.



Model shown for illustrative purposes only

Glass Chimney Hoods

Straight glass chimney hoods are great for a traditional and stylish kitchen.



LED Lights

The energy-saving lighting provides a clear and bright illumination for your cooking area.

Push Button Control

Easy accessibility to control your hood.



Model shown: DWG94BC50B

Angled Glass hoods

The angled design doesn't restrict headroom so you can keep an eye on your cooking with ease.

Smart Hood Automatic

With a connected hood and hob, your hood will automatically turn on and continue to adjust its fan level to match the intensity of your cooking. Enjoy complete hands free ventilation.



Eco Silence Drive™

The powerful, energy-saving drive for hoods.



PerfectAir Sensor

Automatic extractor control for high performance with low noise.



Hob-Hood Control

With a connected hood and hob, your hood will automatically turn on as it detects hob cooking. You can then adjust the power level of your hood via your hob or the Bosch Home Connect app.



Model shown for illustrative purposes only

Box Chimney Hoods

Chimney hoods in a box design perfectly complement your hob installation.

Intensive Setting

The powerful way to beat intense steam during cooking.



Silence

Maximum hood performance, minimum noise.



LED Lights

The energy-saving lighting provides a clear and bright illumination for your cooking area.



Touch Control

Quickly select hood settings via touch.



HOOD TYPE	ANGLED	ANGLED
DESIGN FAMILY	SERIES 8	SERIES 6
MODEL/WIDTH	DWK91LT60B/90CM	DWK81AN60B/80CM
Colour	Black Glass	Black Glass
KEY FEATURES		
Home Connect	•	•
Adjustable LED White Colour Temperature	•	•
PerfectAir Sensor	•	-
Smart Hood Automatic	-	•
Hob-hood control	•	•
EcoSilence Drive Motor	•	•
Intensive setting / Automatic intensive revert ¹	•/•	•/•
Filter Saturation Indicator	•	via HomeConnect
ADDITIONAL PROGRAMMES / FUNCTIONS		
Suitable for ducted operation / recirculating ²	•/•	•/•
Electronic power level display	•	•
Power levels	3 + 2 intensive	3 + 1 intensive
Automatic after running (minutes)	10	10
Lighting	2 x LED lights	2 x LED lights
Type of control	Touch control	Touch control
PERFORMANCE / TECHNICAL INFORMATION		
Energy Rating	A+	A+
Appliance width (mm)	890	790
EXTRACTION RATE IN M³/H^(3,4)		
Power level 3 - ducted / recirculating	441 / 435	432 / 433
Intensive level 1 - ducted / recirculating	753 / 752	915 / 896
Intensive level 2 - ducted / recirculating	1007 / 964	-
NOISE LEVEL (SOUND POWER) BASED ON DB(A) RE 1 PW^(3,5)		
Power level 3 - ducted / recirculating	51 / 59	51 / 59
Intensive level 1 - ducted / recirculating	65 / 72	68 / 76
Intensive level 2 - ducted / recirculating	70 / 78	-
Pipe outlet diameter (mm)	150	150
Min. distance above an electric hob / gas hob ⁶ (mm)	450 / 650	450 / 650
GB plug	•	•
OPTIONAL ACCESSORIES⁷		
Standard Recirculation Kit	-	-
Standard Recirculation Kit (Chimless Installation)	-	-
CleanAir Plus Anti-Pollen Recirculation Kit	DWZ1AK1I6	DWZ1AK1I6
CleanAir Plus Anti-Pollen Recirculation Kit (Chimless Installation)	DWZ1AK1V6	DWZ1AK1V6
Long Life Regenerative Recirculation Kit	DWZ0AK0S0	DWZ0AK0S0
Long Life Regenerative Integrated Recirculation Kit	-	-
Long Life Regenerative Recirculation Kit (Chimless Installation)	DWZ0AK0R0	DWZ0AK0R0
Black Chimney	DWZ1AX6E1	DWZ1AX6E1

¹ Power automatically reverts back to normal setting after intensive.

² A type of recirculating kit is required if recirculating.

³ Air Flow and noise declarations made in line with CECEC Code of Conduct.

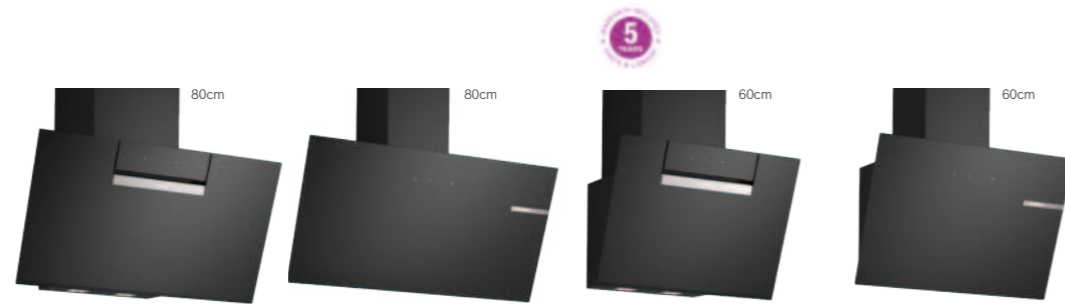
⁴ Measured according to EN61591 on largest pipe diameter.

⁵ Sound power measured according to EN60704-3 on largest pipe diameter.

⁶ From top of pan supports.

⁷ Depending on the model, a 'Recirculating odour filter kit' will consist of the following items: Charcoal filter, flexible hose, air duct, fixing components, installation instructions.

Angled hoods



HOOD TYPE	ANGLED			
DESIGN FAMILY	SERIES 4	SERIES 2	SERIES 4	SERIES 2
MODEL/WIDTH	DWK87FN60B/80CM	DWK85DK60B/80CM	DWK67FN60B/60CM*	DWK65DK60B/60CM
Colour	Black Glass	Black Glass	Black Glass	Black Glass
KEY FEATURES				
Home Connect	●	-	●	-
Adjustable LED White Colour Temperature	●	-	●	-
PerfectAir Sensor	-	-	-	-
Smart Hood Automatic	●	-	●	-
Hob-hood control	●	-	●	-
EcoSilence Drive Motor	●	-	●	-
Intensive setting / Automatic intensive revert ¹	●/●	●/●	●/●	●/●
Filter Saturation Indicator	via HomeConnect	-	via HomeConnect	-
ADDITIONAL PROGRAMMES / FUNCTIONS				
Suitable for ducted operation / recirculating	●/●	●/●	●/●	●/●
Electronic power level display	●	●	●	●
Power levels	3 + 1 intensive	3 + 1 intensive	3 + 1 intensive	3 + 1 intensive
Automatic after running (minutes)	10	-	10	-
Lighting	2 x LED lights	2 x LED lights	2 x LED lights	2 x LED lights
Type of control	Touch Control	Touch Control	Touch Control	Touch Control
PERFORMANCE / TECHNICAL INFORMATION				
Energy Rating	A+	A	A+	A
Appliance width (mm)	790	790	590	590
EXTRACTION RATE IN M³/H^(2,3)				
Power level 3 - ducted / recirculating	431 / 429	430 / 445	431 / 429	430 / 445
Intensive level 1 - ducted / recirculating	768 / 724	550 / 550	768 / 724	550 / 550
Intensive level 2 - ducted / recirculating	-	-	-	-
NOISE LEVEL (SOUND POWER) BASED ON DB(A) RE 1 PW^(3,5)				
Power level 3 - ducted / recirculating	56 / 62	60 / 69	56 / 62	60 / 69
Intensive level 1 - ducted / recirculating	68 / 74	65 / 72	68 / 74	65 / 72
Intensive level 2 - ducted / recirculating	-	-	-	-
Pipe outlet diameter (mm)	150	150	150	150
Min. distance above an electric hob / gas hob ⁶ (mm)	450 / 650	450 / 650	450 / 650	450 / 650
GB plug	●	●	●	●
OPTIONAL ACCESSORIES⁷				
Standard Recirculation Kit	-	DWZ1EK1U1	-	DWZ1EK1U1
Standard Recirculation Kit (Chimless Installation)	-	-	-	-
CleanAir Plus Anti-Pollen Recirculation Kit	DWZ1AK1I6	-	DWZ1AK1I6	-
CleanAir Plus Anti-Pollen Recirculation Kit (Chimless Installation)	DWZ1AK1V6	-	DWZ1AK1V6	-
Long Life Regenerative Recirculation Kit	DWZ0AK0S0	DWZ1FX5D1	DWZ0AK0S0	DWZ1FX5D1
Long Life Regenerative Integrated Recirculation Kit	-	DWZ0XX0J0	-	DWZ0XX0J0
Long Life Regenerative Recirculation Kit (Chimless Installation)	DWZ0AK0R0	-	DWZ0AK0R0	-
Black Chimney	DWZ1AX6E1	-	DWZ1AX6E1	-

¹ Power automatically reverts back to normal setting after intensive.

² A type of recirculating kit is required if recirculating.

³ Air Flow and noise declarations made in line with CECEC Code of Conduct.

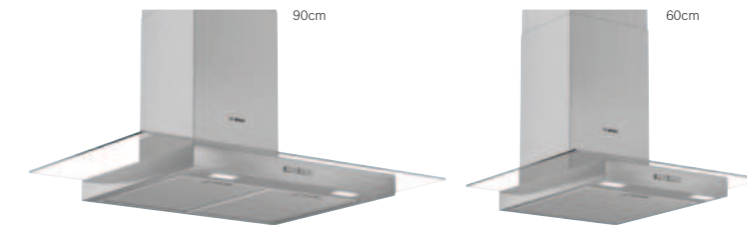
⁴ Measured according to EN61591 on largest pipe diameter.

⁵ Sound power measured according to EN60704-3 on largest pipe diameter.

⁶ From top of pan supports.

⁷ Depending on the model, a 'Recirculating odour filter kit' will consist of the following items: Charcoal filter, flexible hose, air duct, fixing components, installation instructions.

Glass chimney hoods



HOOD TYPE	STRAIGHT GLASS CHIMNEY	
DESIGN FAMILY	SERIES 2	
MODEL/WIDTH	DWG94BC50B/90CM	DWG64BC50B/60CM
Colour	Stainless Steel & Glass	Stainless Steel & Glass
KEY FEATURES		
Suitable for ducted operation / recirculating ¹	●/●	●/●
Power levels	3	3
Lighting	2 x LED lights	2 x LED lights
Type of control	Push Button	Push Button
PERFORMANCE / TECHNICAL INFORMATION		
Energy Rating	D	D
Appliance width (mm)	900	600
EXTRACTION RATE IN M³/H^(2,3)		
Power level 3 - ducted / recirculating	365 / 195	365 / 190
NOISE LEVEL (SOUND POWER) BASED ON DB(A) RE 1 PW^(2,4)		
Power level 3 - ducted / recirculating	64 / 66	64 / 66
Pipe outlet diameter (mm)	150 / 120	150 / 120
Min. distance above an electric hob / gas hob ⁵ (mm)	550 / 650	550 / 650
GB plug	●	●
OPTIONAL ACCESSORIES⁶		
CleanAir Standard Recirculation Kit	DWZ1DX1I4	DWZ1DX1I4
CleanAir Plus Integrated Recirculation Kit	DWZ1DX1I6	DWZ1DX1I6

¹ A type of recirculating kit is required if recirculating.

² Air Flow and noise declarations made in line with CECEC Code of Conduct.

³ Measured according to EN61591 on largest pipe diameter.

⁴ Sound power measured according to EN60704-3 on largest pipe diameter.

⁵ From top of pan supports.

⁶ Depending on the model, a 'Recirculating odour filter kit' will consist of the following items: Charcoal filter, flexible hose, air duct, fixing components, installation instructions.



HOOD TYPE	BOX CHIMNEY	BOX CHIMNEY	BOX CHIMNEY
DESIGN FAMILY	SERIES 4	SERIES 2	SERIES 2
MODEL/WIDTH	DWB96DM50B/90CM	DWB94BC50B/90CM	DWB96BC60B/90CM
Colour	Stainless Steel	Stainless Steel	Black
KEY FEATURES			
EfficientDrive	-	-	-
Intensive setting / Automatic intensive revert ¹	●/●	-	-
Filter Saturation Indicator	●	-	-
ADDITIONAL PROGRAMMES / FUNCTIONS			
Suitable for ducted operation / recirculating ²	●/●	●/●	●/●
Electronic power level display	●	-	-
Power levels	3 + 1 intensive	3	3
Automatic after running (minutes)	-	-	-
Lighting	2 x LED lights	2 x LED lights	2 x LED lights
Type of control	Touch control	Push Buttons	Push Buttons
PERFORMANCE / TECHNICAL INFORMATION			
Energy Rating	B	D	B
Appliance width (mm)	900	900	900
EXTRACTION RATE IN M³/H^(3,4)			
Power level 3 - ducted / recirculating	372 / 290	365 / 195	619 / 359
Intensive level 1 - ducted / recirculating	604 / 360	-	-
Intensive level 2 - ducted / recirculating	-	-	-
NOISE LEVEL (SOUND POWER) BASED ON DB(A) RE 1 PW^(3,5)			
Power level 3 - ducted / recirculating	60 / 71	60 / 71	70 / 75
Intensive level 1 - ducted / recirculating	70 / 75	-	-
Intensive level 2 - ducted / recirculating	-	-	-
Pipe outlet diameter (mm)	150 / 120	150 / 120	150 / 120
Min. distance above an electric hob / gas hob ⁶ (mm)	550 / 650	550 / 650	550 / 650
GB plug	●	●	●
OPTIONAL ACCESSORIES⁷			
Standard Recirculation Kit	DWZ1DX114	DWZ1DX114	DWZ1DX114
CleanAir Plus Anti-Pollen Integrated Recirculation Kit	DWZ1DX116	DWZ1DX116	DWZ1DX116

¹ Power automatically reverts back to normal setting after intensive.

² A type of recirculating kit is required if recirculating.

³ Air Flow and noise declarations made in line with CECEC Code of Conduct.

⁴ Measured according to EN61591 on largest pipe diameter.

⁵ Sound power measured according to EN60704-3 on largest pipe diameter.

⁶ From top of pan supports.

⁷ Depending on the model, a 'Recirculating odour filter kit' will consist of the following items: Charcoal filter, flexible hose, air duct, fixing components, installation instructions.



HOOD TYPE	BOX CHIMNEY	BOX CHIMNEY	BOX CHIMNEY
DESIGN FAMILY	SERIES 4	SERIES 2	SERIES 2
MODEL/WIDTH	DWB66DM50B/60CM	DWB64BC50B/60CM	DWB66BC60B/60CM
Colour	Stainless Steel	Stainless Steel	Black
KEY FEATURES			
EfficientDrive	-	-	-
Intensive setting / Automatic intensive revert ¹	●/●	-	-
Filter Saturation Indicator	●	-	-
ADDITIONAL PROGRAMMES / FUNCTIONS			
Suitable for ducted operation / recirculating ²	●/●	●/●	●/●
Electronic power level display	●	-	-
Power levels	3 + 1 intensive	3	3
Automatic after running (minutes)	-	-	-
Lighting	2 x LED lights	2 x LED lights	2 x LED lights
Type of control	Touch control	Push Buttons	Push Buttons
PERFORMANCE / TECHNICAL INFORMATION			
Energy Rating	B	D	B
Appliance width (mm)	600	600	600
EXTRACTION RATE IN M³/H^(3,4)			
Power level 3 - ducted / recirculating	368 / 281	365 / 197	621 / 327
Intensive level 1 - ducted / recirculating	605 / 348	-	-
Intensive level 2 - ducted / recirculating	-	-	-
NOISE LEVEL (SOUND POWER) BASED ON DB(A) RE 1 PW^(3,5)			
Power level 3 - ducted / recirculating	60 / 71	63 / 66	69 / 75
Intensive level 1 - ducted / recirculating	69 / 75	-	-
Intensive level 2 - ducted / recirculating	-	-	-
Pipe outlet diameter (mm)	150 / 120	150 / 120	150 / 120
Min. distance above an electric hob / gas hob ⁶ (mm)	550 / 650	550 / 650	550 / 650
GB plug	●	●	●
OPTIONAL ACCESSORIES⁷			
CleanAir Standard Recirculation Kit	DWZ1DX114	DWZ1DX114	DWZ1DX114
CleanAir Plus Anti-Pollen Integrated Recirculation Kit	DWZ1DX116	DWZ1DX116	DWZ1DX116

¹ Power automatically reverts back to normal setting after intensive.

² A type of recirculating kit is required if recirculating.

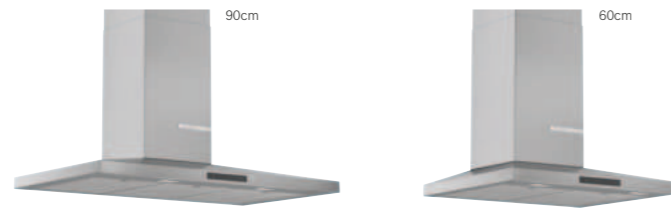
³ Air Flow and noise declarations made in line with CECEC Code of Conduct.

⁴ Measured according to EN61591 on largest pipe diameter.

⁵ Sound power measured according to EN60704-3 on largest pipe diameter.

⁶ From top of pan supports.

⁷ Depending on the model, a 'Recirculating odour filter kit' will consist of the following items: Charcoal filter, flexible hose, air duct, fixing components, installation instructions.



HOOD TYPE	SLIM PYRAMID CHIMNEY	SLIM PYRAMID CHIMNEY
DESIGN FAMILY	SERIES 4	SERIES 4
MODEL/WIDTH	DWQ96DM50B/90CM	DWQ66DM50B/60CM
Colour	Stainless Steel	Stainless Steel
KEY FEATURES		
Intensive setting / Automatic intensive revert ¹	●/●	●/●
ADDITIONAL PROGRAMMES / FUNCTIONS		
Suitable for ducted operation / recirculating ²	●/●	●/●
Power levels	3 + 1 intensive	3 + 1 intensive
Lighting	2 x LED lights	2 x LED lights
Type of control	Touch control	Touch control
PERFORMANCE / TECHNICAL INFORMATION		
Appliance width (mm)	A	A
Type of control	900	600
EXTRACTION RATE IN M³/H^(3,4)		
Power level 3 - ducted / recirculating	389 / 337	411 / 337
Intensive level 1 - ducted / recirculating	642 / 441	644 / 441
NOISE LEVEL (SOUND POWER) BASED ON DB(A) RE 1 PW^(3,5)		
Power level 3 - ducted / recirculating	61 / 70	62 / 70
Intensive level 1 - ducted / recirculating	70 / 74	70 / 74
Pipe outlet diameter (mm)	150 / 120	150 / 120
Min. distance above an electric hob / gas hob ⁶ (mm)	550 / 650	550 / 650
GB plug	●	●
OPTIONAL ACCESSORIES⁷		
CleanAir Standard Recirculation Kit	DWZ1DX114	DWZ1DX114
CleanAir Plus Anti-Pollen Integrated Recirculation Kit	DWZ1DX116	DWZ1DX116

¹ Power automatically reverts back to normal setting after intensive.

² A type of recirculating kit is required if recirculating.

³ Air Flow and noise declarations made in line with CECEC Code of Conduct.

⁴ Measured according to EN61591 on largest pipe diameter.

⁵ Sound power measured according to EN60704-3 on largest pipe diameter.

⁶ From top of pan supports.

⁷ Depending on the model, a 'Recirculating odour filter kit' will consist of the following items: Charcoal filter, flexible hose, air duct, fixing components, installation instructions.



HOOD TYPE	PYRAMID CHIMNEY		
DESIGN FAMILY	SERIES 2		
MODEL/WIDTH	DWP94BC50B/90CM	DWP74BC50B/75CM	DWP64BC50B/60CM
Colour	Stainless Steel	Stainless Steel	Stainless Steel
KEY FEATURES			
Suitable for ducted operation / recirculating ¹	●/●	●/●	●/●
Power levels	3	3	3
Lighting	2 x LED lights	2 x LED lights	2 x LED lights
Type of control	Push Buttons	Push Buttons	Push Buttons
PERFORMANCE / TECHNICAL INFORMATION			
Energy Rating	D	D	D
Appliance width (mm)	900	750	600
EXTRACTION RATE IN M³/H^(2,3)			
Power level 3 - ducted / recirculating	365 / 213	365 / 213	365 / 211
NOISE LEVEL (SOUND POWER) BASED ON DB(A) RE 1 PW^(2,4)			
Power level 3 - ducted / recirculating	65 / 67	65 / 67	65 / 67
Pipe outlet diameter (mm)	150 / 120	150 / 120	150 / 120
Min. distance above an electric hob / gas hob ⁵ (mm)	550 / 650	550 / 650	550 / 650
GB plug	●	●	●
OPTIONAL ACCESSORIES⁶			
Standard Recirculation Kit	DHZ5275	DHZ5275	DHZ5275
CleanAir Plus Anti-Pollen Integrated Recirculation Kit	-	-	-

¹ A type of recirculating kit is required if recirculating.

² Air Flow and noise declarations made in line with CECEC Code of Conduct.

³ Measured according to EN61591 on largest pipe diameter.

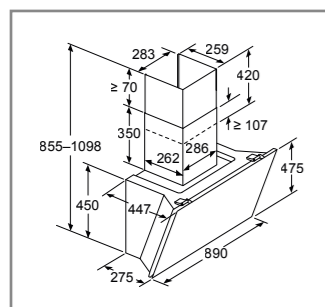
⁴ Sound power measured according to EN60704-3 on largest pipe diameter.

⁵ From top of pan supports.

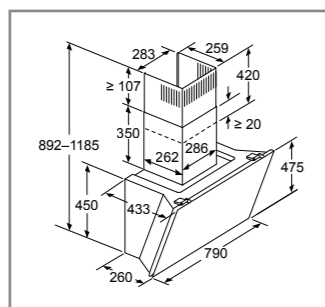
⁶ Depending on the model, a 'Recirculating odour filter kit' will consist of the following items: Charcoal filter, flexible hose, air duct, fixing components, installation instructions.

Hoods technical diagrams

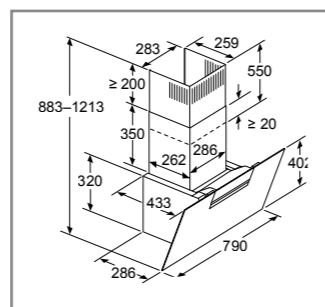
Angled glass and ceiling hoods



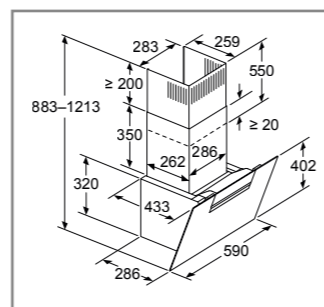
DWK91LT60B



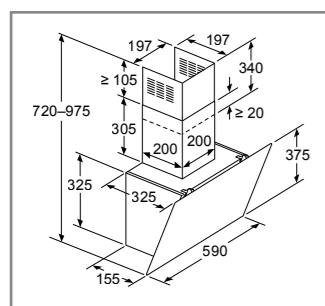
DWK81AN60B



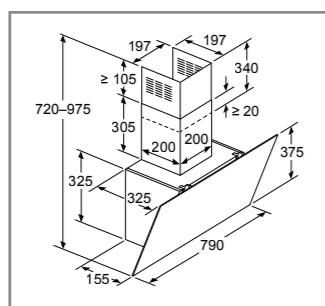
DWK87FN60B



DWK67FN60B

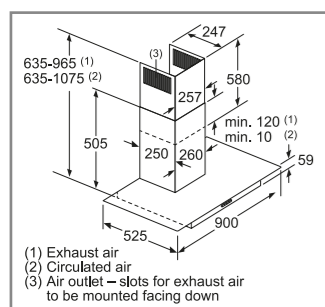


DWK65DK60B

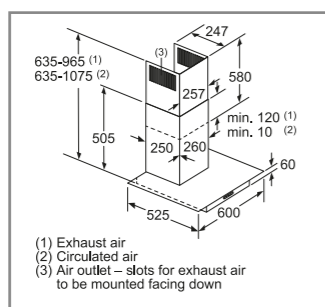


DWK85DK60B

Glass draft and chimney hoods



DWG94BC50B

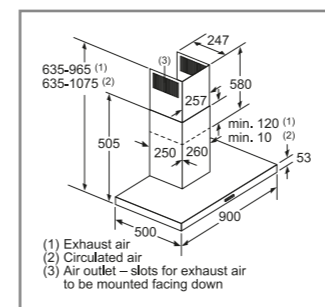


DWG64BC50B

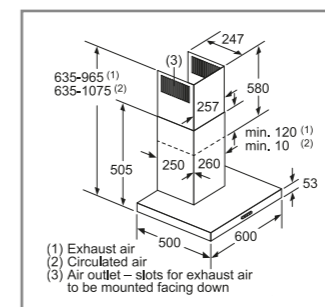
All diagram measurements are in millimetres (mm)

We try to keep up to date with constant technological improvements, so from time to time we may update installation guidelines. Therefore we strongly recommend that you download the latest installation guidelines from www.bosch-home.co.uk. Line drawings are for guidance only, and we recommend that you refer to the latest installation guidelines. Though every care is taken to ensure instructions are correct at the time of printing, Bosch cannot accept responsibility for incorrect planning or installation as a result of the use of these line drawings.

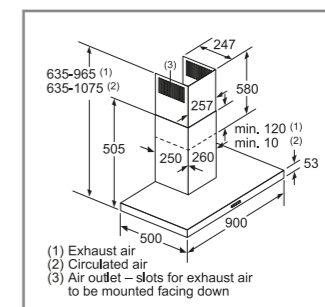
Box chimney & Slim pyramid hoods



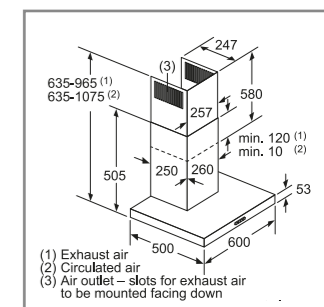
DWB96DM50B



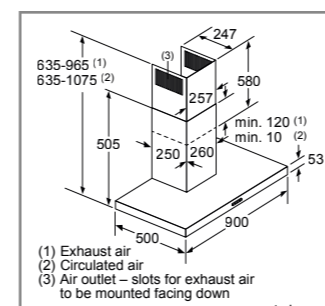
DWB66DM50B



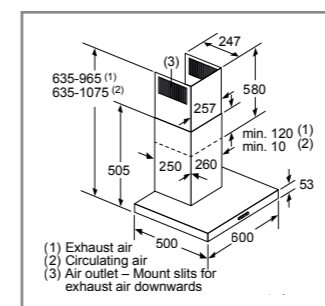
DWB94BC50B



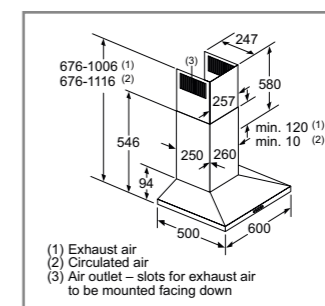
DWB64BC50B



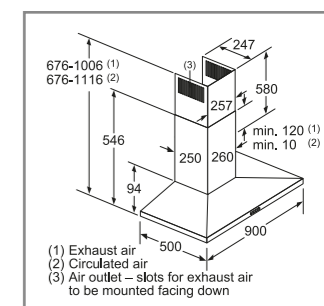
DWB96BC60B



DWB66BC60B

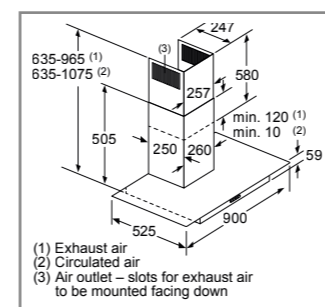


DWQ66DM50B

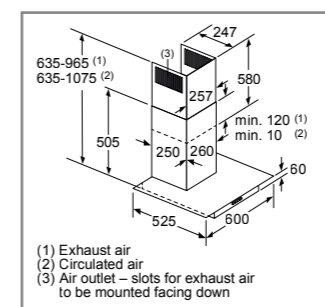


DWQ96DM50B

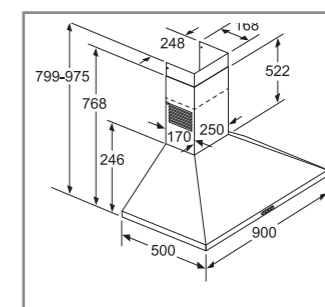
Straight glass chimney & Pyramid chimney hoods



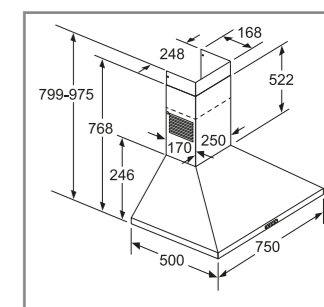
DWG94BC50B



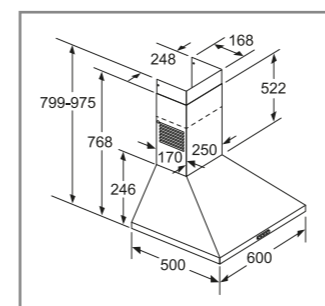
DWG64BC50B



DWP94BC50B



DWP74BC50B



DWP64BC50B, DWP64CC50M

Integrated hoods provide your kitchen with a seamless look by integrating the hoods into the cabinets above your hob.



Model shown: DBB97AM60B

Integrated Design hoods

Flush integrated design with a fold out glass panel, make these hoods the storage champion. Allowing storage each side of the chimney on the hood, discreetly hidden in kitchen furniture.

Storage
10kg storage each side of the chimney hood.

Intensive Setting
The powerful way to beat intense steam during cooking.



Clean Air Plus Filters
The Clean Air Plus filter retains an extremely high amount of airborne pollen and allergens.



Telescopic hoods

Telescopic cooker hoods are installed into a wall unit. To operate them, the flat section is pulled out, enlarging the extraction surface.



Eco Silence Drive™
The powerful, energy-saving drive for hoods.

Intensive Setting
The powerful way to beat intense steam during cooking.



LED Lights
The energy-saving lighting provides a clear and bright illumination for your cooking area.



Model shown: DBB97AM60B



Model shown: DLN77AC60A

Integrated and built-under hoods

Standard integrated and built-under hoods are a great solution when working with a small space. Both sit under kitchen cabinets and blend seamlessly into any kitchen.



LED Lights
The energy-saving lighting provides a clear and bright illumination for your cooking area.

Push Button Control
Easy accessibility to control your hood.



Model shown: DEM66AC00B

Canopy hoods

Bosch canopy cooker hoods have powerful ventilation systems that can be integrated into the cabinets above your hob.

Intensive Setting
The powerful way to beat intense steam during cooking.

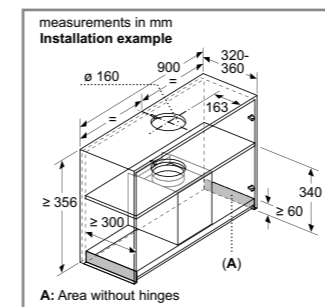


LED Lights
The energy-saving lighting provides a clear and bright illumination for your cooking area.

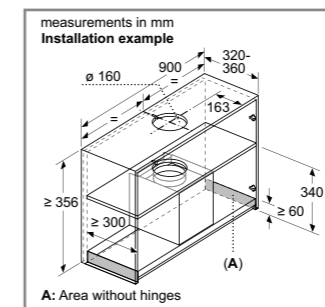
Push Button Control
Easy accessibility to control your hood.

HOOD TYPE	INTEGRATED	INTEGRATED
DESIGN FAMILY	SERIES 6	SERIES 6
MODEL/WIDTH	DBB97AM60B/90CM	DBB67AM60B/60CM
Colour	Black	Black
KEY FEATURES		
Storage Space	10kg each side	10kg each side
Intensive setting / Automatic intensive revert ¹	● / ●	● / ●
ADDITIONAL PROGRAMMES / FUNCTIONS		
Suitable for ducted operation / recirculating ²	● / ●	● / ●
Power levels	3 + 1 intensive	3 + 1 intensive
Lighting	2 x LED lights	2 x LED lights
Type of control	Touch Control	Touch Control
PERFORMANCE / TECHNICAL INFORMATION		
Energy Rating	B	B
Appliance width (mm)	897	597
EXTRACTION RATE IN M³/H ^(3,4)		
- Ducted Power level 3 / recirculating	460 / 451	460 / 451
- Ducted Intensive level 1 / recirculating	749 / 652	749 / 652
NOISE LEVEL (SOUND POWER) BASED ON DB(A) RE 1 PW ^(3,5)		
- Ducted Power level 3 / recirculating	63 / 67	63 / 67
- Ducted Intensive level 1 / recirculating	73 / 74	73 / 74
Pipe outlet diameter (mm)	150 / 120	150 / 120
Min. distance above an electric hob / gas hob ⁶ (mm)	430 / 650	430 / 650
GB plug	●	●
OPTIONAL ACCESSORIES ⁷		
Long Life Regenerative Recirculation Kit	DWZ1IT1D1	DWZ1IT1D1
Clean Air Standard Recirculation Kit	DWZ6IB114	DWZ6IB114
Chimney Extension 450-854mm	DWZ1IB6K1	DWZ1IB6K1
Chimney Extension 187-360mm	DWZ1IB6N1	DWZ1IB6N1
Clean Air Plus recirculation kit	DWZ1IX1C6	DWZ1IX1C6

Integrated hoods



DBB97AM60B



DBB67AM60B

¹ Power automatically reverts back to normal setting after intensive.
² A type of recirculating kit is required if recirculating.
³ Air Flow and noise declarations made in line with CECE Code of Conduct.
⁴ Measured according to EN61591 on largest pipe diameter.
⁵ Sound power measured according to EN60704-3 on largest pipe diameter.
⁶ From top of pan supports.
⁷ Depending on the model, a 'Recirculating odour filter kit' will consist of the following items: Charcoal filter, flexible hose, air duct, fixing components, installation instructions.

All models comply with COMMISSION REGULATION (EC) No 1275/2008 with regard to ecodesign requirements for standby and off mode electric power consumption.

Canopy hoods



New April 2025

HOOD TYPE	CANOPY	CANOPY	CANOPY	CANOPY
DESIGN FAMILY	SERIES 6	SERIES 6	SERIES 6	SERIES 2
MODEL	DLN87AC60B/86CM	DLN77AC60B/70CM	DLN56AC60B/52CM	DLN53AA70B/53CM
Colour	Black	Black	Black	Silver Metallic Lacquer
KEY FEATURES				
Intensive setting / Automatic intensive revert ¹	● / ●	● / ●	● / ●	-
Filter saturation indicators	-	-	-	-
ADDITIONAL PROGRAMMES / FUNCTIONS				
Suitable for ducted operation / recirculating ²	● / ●	● / ●	● / ●	● / ●
Automatic after running (minutes)	-	-	-	-
Lighting	2 x LED lights	2 x LED lights	2 x LED lights	2 x LED lights
Controls	Push Buttons	Push Buttons	Push Buttons	Slider switch
Power levels	3 + 1 intensive	3 + 1 intensive	3 + 1 intensive	3
PERFORMANCE / TECHNICAL INFORMATION				
Energy	B	B	B	D
Appliance width (mm)	860	700	520	530
EXTRACTION RATE IN M³/H^(3,4)				
- Ducted power level 3 / recirculating power level 3	595 / 580	595 / 580	570 / 560	130 / 110
- Ducted intensive / recirculating intensive	730 / 705	730 / 705	645 / 628	160 / 160
NOISE LEVEL (SOUND POWER) BASED ON DB(A) RE 1 PW^(3,5)				
- Ducted power level 3 / recirculating power level 3	63 / 77	63 / 77	66 / 69	62 / 65
- Ducted intensive / recirculating intensive	68 / 73	68 / 73	68 / 72	-
Pipe outlet diameter (mm)	150 / 120	150 / 120	150 / 120	120
Min. distance above an electric hob / gas hob ⁶ (mm)	500 / 650	500 / 650	500 / 650	550 / 650
GB plug	●	●	●	●
OPTIONAL ACCESSORIES ⁷				
Standard Recirculation Filter / Kit	DHZ5605	DHZ5605	DHZ5605	DWZ0N0T0
CleanAir Plus Anti-Pollen Recirculation Kit	DWZ1IX1C6	DWZ1IX1C6	DWZ1IX1C6	-
Long Life Regenerative Recirculation Kit	DWZ1IT1D1	DWZ1IT1D1	DWZ1IT1D1	-

¹ Power automatically reverts back to normal setting after intensive.

² A type of recirculating kit is required if recirculating.

³ Air flow and noise declarations made in line with CECEC Code of Conduct.

⁴ Measured according to EN61591 on largest pipe diameter.

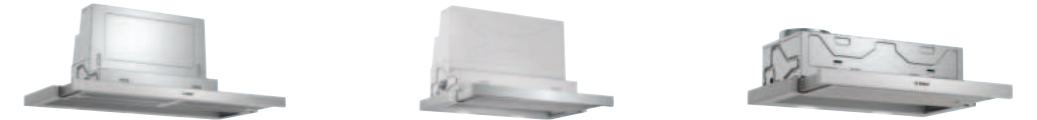
⁵ Sound power measured according to EN60704-3 on largest pipe diameter.

⁶ From top of pan supports.

⁷ Depending on the model, a 'Recirculating odour filter kit' will consist of the following items: Charcoal filter, flexible hose, air duct, fixing components, installation instructions.

Telescopic hoods

Our telescopic hoods with logo design handle and stainless steel filter covers, also have improved installation.



HOOD TYPE	TELESCOPIC	TELESCOPIC	TELESCOPIC
DESIGN FAMILY	SERIES 4	SERIES 4	SERIES 2
MODEL	DFS097A51B/90CM	DFS067A51B/60CM	DFM063W56B/60CM
Colour	Metallic Silver	Metallic Silver	Metallic Silver
KEY FEATURES			
EcoSilence Drive Motor	●	●	-
Intensive setting / Automatic intensive revert ¹	● / ●	● / ●	-
ADDITIONAL PROGRAMMES / FUNCTIONS			
Suitable for ducted operation / recirculating ²	● / ●	● / ●	● / ●
Furniture door required	●	●	●
Automatic after running (minutes)	10	10	-
Lighting	3 x LED lights	2 x LED lights	2 x LED lights
Controls	Soft touch	Soft touch	Rocker switch
Power levels	3 + 1 intensive	3 + 1 intensive	3
PERFORMANCE / TECHNICAL INFORMATION			
Energy	A	A	C
Appliance width (mm)	898	598	598
EXTRACTION RATE IN M³/H^(3,4)			
- Ducted power level 3 / recirculating power level 3	397 / 346	399 / 346	328 / 231
- Ducted Intensive level 1 / recirculating	729 / 559	728 / 559	-
NOISE LEVEL (SOUND POWER) BASED ON DB(A) RE 1 PW^(3,5)			
- Ducted power level 3 / recirculating power level 3	53 / 61	53 / 61	64 / 68
- Ducted Intensive level 1 / recirculating	69 / 72	68 / 72	-
Pipe outlet diameter (mm)	150 / 120	150 / 120	150 / 120
Min. distance above an electric hob / gas hob ⁶ (mm)	430 / 650	430 / 650	430 / 650
GB plug	●	●	●
OPTIONAL ACCESSORIES ⁷			
CleanAir Standard Recirculation Kit	DWZ2IT1I4	DWZ2IT1I4	DWZ2IT1I4
CleanAir Plus Anti-Pollen Recirculation Kit	DWZ1IX1C6	DWZ1IX1C6	-
Long Life Regenerative Recirculation Kit	DWZ1IT1D1	DWZ1IT1D1	-
Replacement CleanAir Plus Anti-Pollen Filter	DWZ1IX1B6	DWZ1IX1B6	-
Telescopic Hood Installation Kit for 90cm Wall Unit	DSZ4920	-	-

¹ Power automatically reverts back to normal setting after intensive.

² A type of recirculating kit is required if recirculating.

³ Air flow and noise declarations made in line with CECEC Code of Conduct.

⁴ Measured according to EN61591 on largest pipe diameter.

⁵ Sound power measured according to EN60704-3 on largest pipe diameter.

⁶ From top of pan supports.

⁷ Depending on the model, a 'Recirculating odour filter kit' will consist of the following items: Charcoal filter, flexible hose, air duct, fixing components, installation instructions.

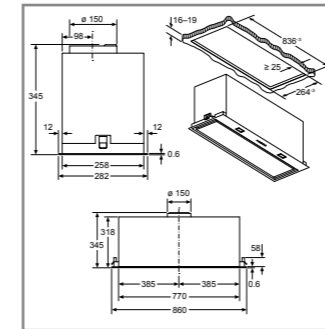
Integrated and built-under hoods are a great solution when working with a small space. Both sit under kitchen cabinets and blend seamlessly into any kitchen.



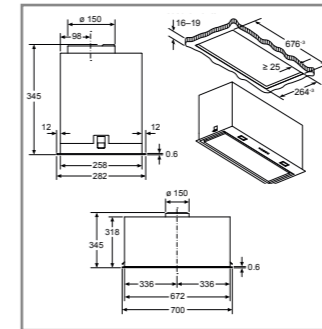
HOOD TYPE	INTEGRATED	INTEGRATED	BUILT-UNDER
DESIGN FAMILY	SERIES 2	SERIES 2	SERIES 2
MODEL	DEM66AC00B/60CM	DEM63AC00B/60CM	DUL63CC50B/60CM
Colour	Silver Metallic Lacquer	Silver Metallic Lacquer	Stainless Steel
KEY FEATURES			
Suitable for ducted operation / recirculating 1	● / ●	● / ●	● / ●
Furniture door required	●	●	-
Lighting	2 x LED lights	2 x LED lights	2 x LED lights
Softlight with dimmer function	-	-	●
Number of metal grease filter cassettes	-	-	2
Type of control	Push Buttons	Push Buttons	-
Power levels	3	3	3
PERFORMANCE / TECHNICAL INFORMATION			
Energy	B	D	D
Appliance width (mm)	599	599	600
EXTRACTION RATE IN M³/H (2,3)			
- Ducted / recirculating at power level 1	256 / 208	240 / 224	175 / 70
- Ducted / recirculating at power level 2	352 / 320	288 / 256	260 / 90
- Ducted / recirculating at power level 3	625 / 416	368 / 272	350 / 110
NOISE LEVEL (SOUND POWER) BASED ON DB(A) RE 1 PW (2,4)			
- Ducted / recirculating at power level 1	49 / 57	52 / 64	56 / 66
- Ducted / recirculating at power level 2	56 / 68	56 / 67	65 / 73
- Ducted / recirculating at power level 3	70 / 75	62 / 68	72 / 77
Pipe outlet diameter (mm)	150 / 120	150 / 120	100 / 120
Min. distance above an electric hob / gas hob 5 (mm)	500 / 650	500 / 650	650 / 650
GB plug	●	●	●
OPTIONAL ACCESSORIES 6			
Standard Recirculation Kit	DWZOIM0AO	DWZOIM0AO	DHZ2701

¹A type of recirculating kit is required if recirculating.
²Air Flow and noise declarations made in line with CECEC Code of Conduct.
³Measured according to EN61591 on largest pipe diameter.
⁴Sound power measured according to EN60704-3 on largest pipe diameter.
⁵From top of pan supports.
⁶Depending on the model, a 'Recirculating odour filter kit' will consist of the following items: Charcoal filter, flexible hose, air duct, fixing components, installation instructions.

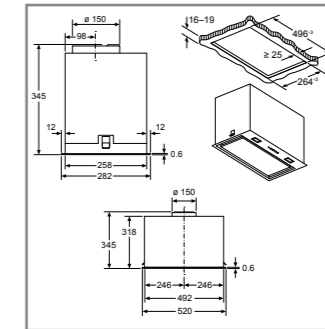
Canopy, Telescopic, Integrated and Built-under hoods



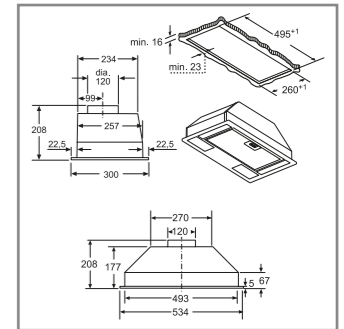
DLN87AC60B



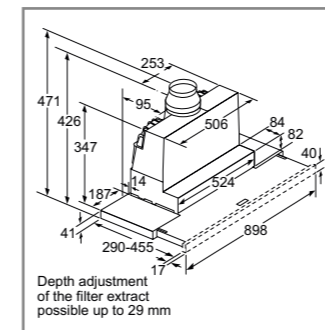
DLN77AC60B



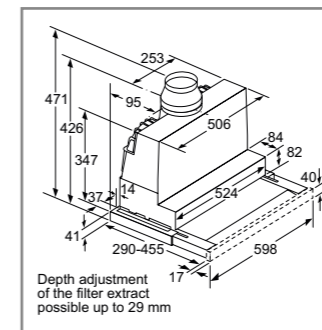
DLN56AC60B



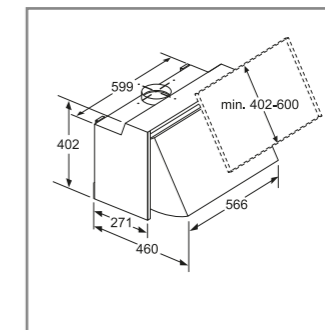
DLN53AA70B



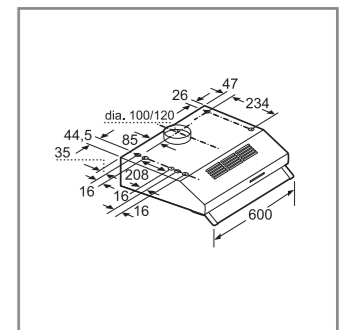
DFS097A51B



DFS067A51B, DFM063W56B



DEM66AC00B, DEM63AC00B



DUL63CC50B

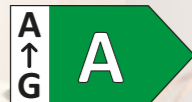
For full specification details, please log onto our website and download a full specification sheet.

All diagram measurements are in millimetres (mm)

We try to keep up to date with constant technological improvements, so from time to time we may update installation guidelines. Therefore we strongly recommend that you download the latest installation guidelines from www.bosch-home.co.uk. Line drawings are for guidance only, and we recommend that you refer to the latest installation guidelines. Though every care is taken to ensure instructions are correct at the time of printing, Bosch cannot accept responsibility for incorrect planning or installation as a result of the use of these line drawings.

Energy and water-saving technologies across our latest laundry appliances give you peace of mind when washing and drying your clothes. To help you choose the right appliance, we have divided them into three ranges.

Look out for the energy efficiency class icons throughout our brochure and on our product pages.



Model shown: WGB256A2GB

Series 8

Perfection in every detail, our **Series 8** range stands out from the crowd with superior quality, results and first-class design. Discover cutting-edge features and extras such as the **i-DOS** automatic dosing system and targeted **Anti Stain** programmes to take the guesswork out of stain removal. Our **4D Wash** function ensures highly efficient usage of water and detergent guaranteeing spotless results. Monitor and control your wash remotely with our **Bosch Home Connect** models, developed to give you complete control over your washing.

Series 6

Our **Series 6** models offer advanced features to make life easier. **i-DOS** doses each load with millilitre precision, which not only delivers outstanding results but a host of savings. **Speed Perfect** allows you to wash up to 65% faster** without compromising results.

Series 4

Easy to operate with family in mind our **Series 4** range truly understands your requirements. Practical and straightforward to use, these appliances combine easy operation with stylish design. These models benefit from the **Reload** function, which allows you to open the door throughout most of the cycle so you can add or remove items at any time.



Energy efficient rating A-40%.

A rated appliances are efficient, but A-40%* are even more so! Our A-40% energy saving washing machines are 40% more energy efficient than the A rated standard. This means our models exceed the minimum energy efficient requirements for Class A by 40%.

*40% more efficient (30 kWh/100 cycles) than the limit value (51.4 kWh/100 cycles) of the energy efficiency class A according to delegated EU-Regulation 2019/2014 (Retained EU Legislation)

Washing machine functions explained.

Check model for available functions.



Speed Perfect
Wash up to 65%** faster without compromising results. Speed Perfect can be used in combination with most other programmes, all loads and textiles.



Eco Silence Drive™
Bosch Eco Silence Drive washing machines come with a 10-year motor guarantee. Not valid on Series 2 washing machines.



Capacity
Our freestanding washing machines have a drum capacity of up to 10kg, perfect for those busy households.



Aqua Stop
This security gives you peace of mind that the water will stop in the unlikely event of a leak.



Iron Assist
Iron Assist delivers a premium steam treatment to reduce wrinkles and cut down on ironing.



Active Water Plus
Delivers perfect results while only using the precise amount of water needed for every wash.



Reload
Simply pause the cycle and the machine will automatically adjust the water. This allows you to add or remove items of any size to your wash.



Easy Start
Bosch Home Connect will pick the perfect programme for you. Simply input what you're washing and your requirements.



Anti Stain Plus
Easily removes up to 16 of the most stubborn stains, helping you to easily get perfect washing results.



Hygiene Plus
Hygienic washing results that kill 99,99% of common germs*.

Mini load

The mini load programme lets you wash single items or very small loads up to 0.5kg more efficiently.

4D Wash

A combination of the direct water spray and an extra spin wash enables the most efficient and effective use of water and detergent, even when the drum is fully loaded. Achieve spotless laundry results every time.

*Bosch washing machines with the 'Hygiene Plus' wash programme at 40° and 60° fulfill scientifically recommended conditions for 99,99% of germ reduction for Enterococcus Hirae and Pseudomonas Aeruginosa, according to Honisch et al. 2014, "Impact of wash cycle time, temperature and detergent formulation on the hygiene effectiveness of domestic laundering." Conducted by University Rhine-Waal. ** Difference between the duration of Easy Care Programme 40°C and the duration of Easy Care Programme 40°C in combination with Speed Perfect option. *** This feature will offer varied results on different materials with limited performance on synthetic fabrics and blended fabrics with high synthetic content. This function is not suitable for silk, wool, down, leather and membrane textiles as treatment with steam may be harmful to these materials.

Bosch integrated technology for a peaceful washing experience.

Everythings just right with i-DOS

Once activated, the i-DOS system measures the detergent automatically, to the nearest millilitre. Sensors inside the washing machine detect the type of fabric, the load volume in the drum and the degree of soiling and adjust the detergent to the optimum dose accordingly. This way, you'll achieve the best results for your clothes, whilst **saving detergent and water**.



i-DOS with Detergent Scan

Skip manual dosing and save detergent. Just scan your detergent with your Bosch Home Connect app and i-DOS will do the rest****.

****i-DOS avoids unnecessary rinse cycles due to manual overdosing. Pair your washing machine with your Bosch Home Connect account. Find more information on www.home-connect.com/gb/en/

Enjoy the quiet life.

The modern world is noisy enough, so it's good to know that Bosch technology can help make the home environment a little oasis of calm with our **Eco Silence Drive™**.

The right wash for the right stain.

The **Anti Stain Plus System** easily removes up to 16 of the most stubborn stains, helping you to easily get perfect washing results. The washing machine automatically adjusts the temperature, drum movement and soaking time to meet the demands of the relevant stains before your chosen programme starts.

Less rock and roll.

We've also created **Anti Vibration** technology to cut down noise. The sidewalls of the washing machine feature a spiral design that increases stability and reduces vibrations. Improved sound insulation and low noise shock absorbers further dampen the noise.

Speed Perfect.

With **Speed Perfect** you can reduce your washing time by up to 65%** without compromising results. **Speed Perfect** can be used in combination with most of the programmes, all loads and textiles. For example, by selecting the mix programme in combination with **Speed Perfect** you can thoroughly wash up to 4kg of mixed load in just 41 minutes.

Introducing our new Series 6 washing machines, designed to make your life easier. With an A-20%* energy rating, these models are packed with all of your favourite features to save you energy, time and water.



Model shown: WGH254A0GB

Also available in graphite



Model shown: WGH254ARGB

Save #LikeABosch with our Series 6 washing machines

✓ Save energy

Our Series 6 washing machines are **20%* more energy efficient** than the A rated standard.

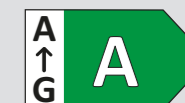
This means our models **exceed the minimum energy efficient requirements for Class A by 20%.**

Look out for our **A-% logos** to spot our most efficient models.

*20% more efficient (40 kWh/100 cycles) than the limit value (50 kWh/100 cycles) of the energy efficiency class A according to EU-Regulation 2019/2014 (Retained EU Legislation)



Look out for the energy efficiency class icons throughout our brochure and on our product pages.



Just have a single item to wash? **Mini load** means you can save energy, even with smaller loads.

✓ Save time

The **Added Steam** wash programme adds a steam phase at the end of a washing cycle, helping to reduce wrinkles by up to 40%*** on both cotton t-shirts and cotton shirts. This programme saves you time and cuts down on your ironing pile.

Iron Assist steams freshly washed items in just 20 minutes. It can also reduce wrinkles on a previously worn dry item of clothing, just place it in the machine and let Iron Assist do the rest.

✓ Save water

With **Active Water Plus** you achieve perfectly clean results and you can save up to 50%+ of water when washing smaller loads, thanks to automatic load detection.

It's now even easier to save on both water** and detergent, by skipping manual dosing. **i-DOS with Detergent Scan** automatically ensures your washer uses just the right amount of detergent and softener.

Energy saving of the easy care program 40 °C with a load of 0,5 kg with the mini load option in comparison to the easy care program 40 °C with a load of 0,5 kg without mini load option. *Relating to the crease reduction of commercial cotton garments (T-shirts) in the Mix Program with a 4 kg load and activated Added Steam Option in comparison to textiles not treated with Added Steam option according to DIN EN ISO 15487. *Active Water Plus automatically adjusts water consumption to load. Comparing water consumption of Eco 40-60 with quarters vs. full load per cycle **i-DOS avoids unnecessary cycles due to manual overdosing.

Introducing the Bosch Microplastic filter

Introducing the Bosch Microplastic filter. Did you know that every wash cycle releases hundreds of thousands of microfibers into our wastewater? These tiny particles have the potential to find their way into our drinking water and food chain, impacting our daily lives. Our new microplastic filter, a simple addition to your washing machine, is here to deliver a solution.



Key benefits explained

Microplastic Filter: Filters up to 97%* of microplastics.

Easy cleaning: Our filter self-cleans and prevents clogging to save you time. Look out for the red light on your Microplastic filter, this signals that the filter needs emptying. The filter is full after approx. 20** washing cycles. For more information on how to empty the filter, please use the QR code below.

Easy to empty filter: Our filter comes with easy maintenance indicators and scraper. Empty it over your bin with ease.

No need for cartridges or filter bags

Universal Fit: Compatible with any washer and washer dryer.

Requires mains connection.

Easy installation

Installing our microplastic filter is a breeze. It can be installed anywhere 10 cm above the water level, without the need for drilling.

Water routes through filter via the inlet/outlet hose connections.



PLEASE SCAN THE QR CODE FOR OUR INSTALLATION AND MAINTENANCE GUIDE.



*Percentage of microplastic fibres (nylon flock fiber mixture) filtered out by the microplastic filter, measured using gravimetric methods in a device-independent test rig.
**This number is dependent on your chosen washing cycles, and the contents of your laundry load.

Washing machines



new with A-40%**



new with A-20%***



new with A-20%***

TYPE	WASHER	WASHER	WASHER
DESIGN FAMILY	SERIES 8	SERIES 6	SERIES 6
MODEL	WGB256A2GB	WGH254A0GB	WGH254ARGB
KEY FEATURES			
Iron Assist	•	•	•
Detergent Scan	•	•	•
Mini Load	•	•	•
Home Connect	•	•	•
i-DOS detergent dosing system	•	•	•
Speed Perfect	•	•	•
Reload facility	•	•	•
Stain Removal system	Anti Stain Plus (6) - 10 via App	Anti Stain Plus (6) - 10 via App	Anti Stain Plus (6) - 10 via App
Eco Silence Drive	•	•	•
Anti Vibration design	•	•	•
Reduced ironing option	•	•	•
Reduced noise option	-	-	-
4D Wash system	•	-	-
ADDITIONAL FEATURES			
Time delay	24 hours	24 hours	24 hours
Child lock	•	•	•
Drum interior light	•	•	•
Safety	Aqua Stop	Aqua Protection	Aqua Protection
PROGRAMMES / FUNCTIONS			
Eco 40-60	•	•	•
Cottons	•	•	•
Super Quick 15/30	•	•	•
Hygiene Plus	•	•	•
Easy Care Plus	-	•	•
Easy Care	•	•	•
Mixed Load / Wool	•/•	•/•	•/•
Delicates/Silk	•	•	•
Sportswear	•	•	•
Dark Wash/Jeans	• (via App)	• (via App)	• (via App)
Shirts and blouses	• (via App)	• (via App)	• (via App)
Duvet / Down wear	- / • (via App)	- / -	- / -
Waterproofs	-	-	-
Auto programme	•	-	-
Memory programme	•	-	-
Drum Clean	• (via App)	• (via App)	• (via App)
Extra Rinse	•	•	•
Pre Wash	•	•	•
Rinse/Spin	-	-	-
Rinse hold	•	•	•
Spin/Drain	•	•	•
Single Rinse	•	•	•
Variable Temperature / Variable Spin	•/•	•/•	•/•
PERFORMANCE / TECHNICAL INFORMATION			
Energy efficiency class ¹	A	A	A
Load capacity (kg)	1 - 10	1 - 10	1 - 10
Energy ² / Water ³ (kWh / litres)	30 / 48	40 / 48	40 / 48
Programme duration ⁴ (h:mm)	3:50	3:55	3:55
Maximum spin speed (rpm) ⁵	1400	1400	1400
Spin efficiency class	B	B	B
Noise level (dB(A) re 1 pW) Washing	48	48	48
Noise level (dB(A) re 1 pW) Spinning	70	73	73
Noise emission class	A	B	B
Dimensions of the product (H x W x D) (inc. door porthole) (mm)	848 x 598 x 590 (644)	845 x 598 x 590 (633)	845 x 598 x 588 (632)
Door opening angle	182°	165°	165°

• = Yes - = No

¹ On an energy efficiency class scale from A to G. ² Energy consumption in kWh/100 operating cycles (using Eco 40-60 programme)

³ Water consumption in litres/operating cycle (using Eco 40-60 programme) ⁴ Duration of Eco 40-60 programme

⁵ The specified value is rounded. Data valid in this table as of April 2025. Subject to modification without prior notice.

For full specification details, please log onto our website and download a full specification sheet. *5 Year Warranty - Offer dates 01.04.25 - 31.03.26. T&C's apply. Online registration required. Selected models only.

**40% more efficient (30 kWh/100 cycles) than the limit value (51,4 kWh/100 cycles) of the energy efficiency class A according to delegated EU Regulation 2019/2014 (Retained EU Legislation) Please see page 77 for more details.

***20% more efficient (40 kWh/100 cycles) than the limit value (50 kWh/100 cycles) of the energy efficiency class A according to EU-Regulation 2019/2014 (Retained EU Legislation) Please see page 77 for more details.



New available in June 2025



New available in June 2025



TYPE	WASHER	WASHER	WASHER	WASHER
DESIGN FAMILY	SERIES 6	SERIES 6	SERIES 6	SERIES 6
MODEL	WGG254Z1GB	WGG254F1GB	WGG244ZCGB	WGG24400GB
KEY FEATURES				
Iron Assist	•	•	•	•
Detergent Scan	-	-	-	-
Mini Load	-	-	-	-
Home Connect	-	-	-	-
i-DOS detergent dosing system	•	•	•	•
Speed Perfect	•	•	•	•
Reload facility	•	•	•	•
Stain Removal system	Anti Stain (4)	Anti Stain (4)	Anti Stain (4)	Anti Stain (4)
Eco Silence Drive	•	•	•	•
Anti Vibration design	•	•	•	•
Reduced ironing option	•	•	•	•
Reduced noise option	-	-	-	-
4D Wash system	-	-	-	-
ADDITIONAL FEATURES				
Time delay	24 hours	24 hours	24 hours	24 hours
Child lock	•	•	•	•
Drum interior light	•	•	•	•
Safety	Aqua Protection	Aqua Protection	Aqua Protection	Aqua Protection
PROGRAMMES / FUNCTIONS				
Eco 40-60	•	•	•	•
Cottons	•	•	•	•
Super Quick 15/30	•	•	•	•
Hygiene Plus	•	•	•	•
Easy Care Plus	•	-	-	-
Easy Care	•	•	•	•
Mixed Load / Wool	•/•	•/•	•/•	•/•
Delicates/Silk	•	•	•	•
Sportswear	•	•	•	•
Dark Wash/Jeans	-	-	•	•
Shirts and blouses	-	-	-	-
Duvet / Down wear	-/-	-/-	-/-	-/-
Waterproofs	-	-	-	-
Auto programme	-	•	-	-
Memory programme	-	-	-	-
Drum Clean	•	•	•	•
Extra Rinse	•	•	•	•
Pre Wash	•	•	•	•
Rinse/Spin	-	-	-	-
Rinse hold	•	•	•	•
Spin/Drain	•	•	•	•
Single Rinse	•	•	•	•
Variable Temperature / Variable Spin	•/•	•/•	•/•	•/•
PERFORMANCE / TECHNICAL INFORMATION				
Energy efficiency class ¹	A G A	A G A	A G A	A G A
Load capacity (kg)	1-10	1-10	1-9	1-9
Energy ² / Water ³ (kWh / litres)	51 / 50	51 / 50	49 / 50	49 / 50
Programme duration ⁴ (h:mm)	3:48	3:48	3:48	3:48
Maximum spin speed (rpm) ⁵	1400	1400	1400	1400
Spin efficiency class	B	B	B	B
Noise level (dB(A) re 1 pW) Washing	52	51	51	51
Noise level (dB(A) re 1 pW) Spinning	74	71	71	71
Noise emission class	B	B	A	A
Dimensions of the product (H x W x D) (inc. door porthole) (mm)	845 x 598 x 588 (632)	845 x 598 x 590 (636)	845 x 598 x 590 (636)	845 x 598 x 588 (632)
Door opening angle	160°	165°	165°	160°

• = Yes - = No
¹ On an energy-efficiency class scale from A to G ² Energy consumption in kWh/100 operating cycles (using Eco 40-60 programme)
³ Water consumption in litres/operating cycle (using Eco 40-60 programme) ⁴ Duration of Eco 40-60 programme
⁵ The specified value is rounded. **Data valid in this table as of April 2025.** Subject to modification without prior notice.



TYPE	WASHER	WASHER	WASHER
DESIGN FAMILY	SERIES 4	SERIES 4	SERIES 2
MODEL	WAN28259GB	WAN28258GB	WGE03408GB
KEY FEATURES			
Iron Assist	•	•	-
Detergent Scan	-	-	-
Mini Load	-	-	-
Home Connect	-	-	-
i-DOS detergent dosing system	-	-	-
Speed Perfect	•	•	•
Reload facility	•	•	•
Stain Removal system	-	-	-
Eco Silence Drive	•	•	•
Anti Vibration design	•	•	•
Reduced ironing option	•	•	-
Reduced noise option	•	•	-
4D Wash system	-	-	-
ADDITIONAL FEATURES			
Time delay	24 hours	24 hours	24 hours
Child lock	•	•	•
Drum interior light	-	-	-
Safety	Aqua Protection	Aqua Protection	Aqua Protection
PROGRAMMES / FUNCTIONS			
Eco 40-60	•	•	•
Cottons	•	•	•
Super Quick 15/30	•	•	•
Hygiene Plus	•	•	•
Easy-care Plus	-	-	-
Easy-care	•	•	•
Mixed Load / Wool	•/•	•/•	•/•
Delicates/Silk	•	•	•
Sportswear	-	-	-
Dark Wash/Jeans	•	•	-
Shirts and blouses	•	•	-
Duvet / Down wear	-/-	-/-	-/-
Waterproofs	•	•	-
Auto programme	-	-	-
Memory programme	-	-	-
Drum Clean	•	•	-
Extra Rinse	-	-	-
Pre Wash	•	•	•
Rinse/Spin	-	-	-
Rinse hold	•	•	•
Spin/Drain	•	•	•
Single Rinse	•	•	•
Variable Temperature / Variable Spin	•/•	•/•	-/•
PERFORMANCE / TECHNICAL INFORMATION			
Energy efficiency class ¹	A G A	A G A	A G A
Load capacity (kg)	1-9	1-8	1-8
Energy ² / Water ³ (kWh / litres)	49 / 50	46 / 47	46 / 47
Programme duration ⁴ (h:mm)	3:48	3:33	3:33
Maximum spin speed (rpm) ⁵	1400	1400	1400
Spin efficiency class	B	B	B
Noise level (dB(A) re 1 pW) Washing	51	51	51
Noise level (dB(A) re 1 pW) Spinning	72	72	71
Noise emission class	A	A	A
Dimensions of the product (H x W x D) (inc. door porthole) (mm)	845 x 598 x 590 (633)	845 x 598 x 590 (633)	848 x 598 x 588 (632)
Door opening angle	171°	171°	160°

• = Yes - = No
¹ On an energy-efficiency class scale from A to G ² Energy consumption in kWh/100 operating cycles (using Eco 40-60 programme)
³ Water consumption in litres/operating cycle (using Eco 40-60 programme) ⁴ Duration of Eco 40-60 programme
⁵ The specified value is rounded. **Data valid in this table as of April 2025.** Subject to modification without prior notice.

Freestanding washer dryer range

Want to wash and dry in one go? After the wash cycle, a washer dryer automatically switches to the chosen drying mode. No need to transfer wet laundry from one appliance to the other. For items you prefer air drying, just run the wash cycle. You can also use the appliance as a dryer, without washing beforehand. It's one machine for all your washing and drying needs.



Washer dryer functions explained.

Check model for available functions.

Wash & Dry 45

Wash & Dry 45 programme means you can achieve a thorough wash and dry in just 45 minutes. This innovative programme is designed for lightly dirtied clothes and is perfect for washing and drying heat resistant textiles like cottons or linen. It is tailored for a 1kg load, providing exceptional convenience and efficiency.



Iron Assist

Iron Assist is designed to make ironing easier and more efficient. Iron Assist gently steams freshly washed and dried items in just 20 minutes, this ensures that your clothes are gently and evenly dampened, allowing for easier ironing afterwards. It can also reduce wrinkles on a previously worn item of clothing. Just place items in the machine and let Iron Assist do the rest, so you can cut down the ironing pile.



i-DOS

Get maximum efficiency for your wash with the i-DOS automatic dosing system. Just fill up the detergent and softener compartments once, and i-DOS sensors will dispense the precise amount of detergent and water for each load, wash after wash. So it saves detergent, and prevents unnecessary rinsing.



Auto Dry

With Auto Dry sensor technology you can ensure gentle and precise drying results. Auto Dry automatically knows when your load is perfectly dry by constantly measuring the humidity and temperature, protecting your clothes against overheating.



Wrinkle Guard

Thanks to Wrinkle Guard you'll reduce the size of your ironing pile! The drum will continue to move dry laundry for a period of time after the cycle has finished, so clothes are cooled gradually and don't wrinkle when they are still warm.



Eco Silence Drive™

Bosch Eco Silence Drive™ washing machines come with a 10-year motor guarantee. Not valid on series 4 washer dryers.



Speed Perfect

Wash up to 65%* faster without compromising results. Speed Perfect can be used in combination with most other, and loads and textiles.



Capacity

Our freestanding washer dryers have a drum capacity of up to 10kg, perfect for those busy households. Wash and dry up to 6kg of items in one go or wash up to 10kg.

*Difference between the duration of Easy Care Programme 40°C and the duration of Easy Care Programme 40°C in combination with Speed Perfect option.

Model shown: WNC254ARGB



Wash & Dry 45

Say goodbye to long laundry cycles and hello to a faster, more effective way of cleaning your clothes. Wash and Dry small loads efficiently in just 45 minutes. It's perfect for jackets, business shirts and even suits*.

*This feature will offer varied results on different materials with limited performance on synthetic fabrics and blended fabrics with high synthetic content. This function is not suitable for silk, wool, down, leather and membrane textiles as treatment with steam may be harmful to these materials.

Convenience for small spaces.

Our washer dryers not only wash flawlessly, they also dry perfectly – all in one appliance. An ideal solution for people with high standards but not much space.

Wash & dry in one.

Now you can wash and dry a load thoroughly in just one hour. This programme is suitable for lightly soiled clothes and for washing and drying heat resistant textiles, such as cottons or linen.



Model shown: WNC25410GB

Explore more at [bosch-home.co.uk](https://www.bosch-home.co.uk) / [bosch-home.ie](https://www.bosch-home.ie)

Model shown: WNA144V9GB

Making **life easy** through innovative technologies



TYPE	WASHER DRYER	WASHER DRYER	WASHER DRYER
DESIGN FAMILY	SERIES 8	SERIES 8	SERIES 6
MODEL	WNC254ARGB	WNC25410GB	WNG254R1GB
KEY FEATURES			
Home Connect	•	•	-
Eco Silence Drive	•	•	•
Speed Perfect	•	•	•
Reload facility	•	•	•
Auto Dry	•	•	•
Self cleaning condenser	•	•	•
ADDITIONAL FEATURES			
Time delay/Time Remaining	•	•	•
Child safety lock	•	•	•
Water protection system	Aqua Stop	Aqua Stop	Aqua Protection
PROGRAMMES			
i-DOS detergent dosing system	•	•	-
Iron Assist	•	•	•
Hygiene	• (via App)	• (via App)	•
Super Quick 15	•	•	•
Wash & Dry 60 mins	• (Wash & Dry 45)	• (Wash & Dry 45)	•
Cottons	•	•	•
Easy-care programme	•	•	•
Wool programme	•	•	•
Delicates/Silk	•	•	•
Sportswear	•	•	-
Mixed Load	•	•	•
Towels	-	-	-
Shirts	• (via App)	• (via App)	-
Down	-	-	-
Intensive Dry	-	-	•
Gentle Dry	-	-	•
My Time Wash	-	-	-
My Time Dry	-	-	•
Rinse	•	•	•
Spin/Drain	•	•	•
Memory	•	•	•
Drum Clean	• (via App)	• (via App)	-
Reduced noise wash/dry	-	-	-
Reduced ironing	•	•	•
Hygiene Care	•	•	•
Aqua Plus/Rinse Plus	•	•	-
Pre wash	•	•	•
Variable Temperature/Spin	•	•	•
PERFORMANCE / TECHNICAL INFORMATION			
Energy efficiency class washing and drying ^{1,2}	A D	A D	A D
Energy efficiency class washing ³	A A	A A	A A
Energy ² / Water ⁴ washing and drying (kWh / litres)	305 / 75	305 / 75	306 / 82
Energy ² / Water ⁴ washing (kWh / litres)	52 / 50	52 / 50	51 / 52
Load capacity washing and drying / washing (kg)	1 · 6 / 1 · 10.5	1 · 6 / 1 · 10.5	1 · 6 / 1 · 10.5
Programme duration ⁵ washing and drying / washing (h:mm)	08:20 / 04:00	08:20 / 04:00	08:40 / 03:59
Spin efficiency class	B	B	B
Spin speed ⁶ (rpm)	1400	1400	1400
Noise level (dB(A) re 1 pW)	70	70	70
Noise emission class	A	A	A
Dimensions of the product (H x W x D) (inc. door porthole) (mm)	848 x 598 x 622 (654)	848 x 598 x 622 (654)	848 x 598 x 590 (636)
Door opening angle	125°	125°	165°

• = Yes - = No
^{1,2} On an energy-efficiency class scale from A to G ³ Energy consumption in kWh/100 complete operating cycles (using Eco 40-60 programme)
⁴ Water consumption in litres/complete operating cycle (using Eco 40-60 programme) ⁵ Energy consumption in kWh/100 wash cycles (using Eco 40-60 programme)
⁶ Water consumption in litres/wash cycle (using Eco 40-60 programme) ⁷ Duration of Eco 40-60 programme, complete operating cycle / wash cycle
⁸ The specified value is rounded. **Data valid in this table as of April 2025.** Subject to modification without prior notice.

TYPE	WASHER DRYER	WASHER DRYER	WASHER DRYER
DESIGN FAMILY	SERIES 6	SERIES 4	SERIES 4
MODEL	WNG25401GB	WNA144V9GB	WNA134U8GB
KEY FEATURES			
Home Connect	-	-	-
Eco Silence Drive	•	•	•
Speed Perfect	•	•	•
Reload facility	•	•	•
Auto Dry	•	•	•
Self cleaning condenser	•	•	•
ADDITIONAL FEATURES			
Time delay/Time Remaining	•	•	•
Child safety lock	•	•	•
Water protection system	Aqua Protection	Aqua Protection Plus	Aqua Protection Plus
PROGRAMMES			
i-DOS detergent dosing system	-	-	-
Iron Assist	•	•	•
Hygiene	•	-	-
Super Quick 15	•	•	•
Wash & Dry 60 mins	•	•	•
Cottons	•	•	•
Easy-care programme	•	•	•
Wool programme	•	•	•
Delicates/Silk	•	•	•
Sportswear	-	•	•
Mixed Load	•	•	•
Towels	-	-	-
Shirts	-	-	-
Down	-	-	-
Intensive Dry	•	•	•
Gentle Dry	•	•	•
My Time Wash	-	-	-
My Time Dry	•	•	•
Rinse	•	•	•
Spin/Drain	•	•	•
Memory	-	-	-
Drum Clean	-	-	-
Reduced noise wash/dry	-	-	-
Reduced ironing	•	•	•
Hygiene Care	•	-	-
Aqua Plus/Rinse Plus	-	-	-
Pre wash	•	•	•
Variable Temperature/Spin	•	•	•
PERFORMANCE / TECHNICAL INFORMATION			
Energy efficiency class washing and drying ^{1,2}	A D	A E	A E
Energy efficiency class washing ³	A A	A B	A C
Energy ² / Water ⁴ washing and drying (kWh / litres)	306 / 82	322 / 74	313 / 70
Energy ² / Water ⁴ washing (kWh / litres)	51 / 52	57 / 46	63 / 41
Load capacity washing and drying / washing (kg)	1 · 6 / 1 · 10.5	1 · 5 / 1 · 9	1 · 5 / 1 · 8
Programme duration ⁵ washing and drying / washing (h:mm)	08:40 / 03:59	07:30 / 03:44	07:30 / 03:32
Spin efficiency class	B	B	B
Spin speed ⁶ (rpm)	1400	1400	1400
Noise level (dB(A) re 1 pW)	70	70	70
Noise emission class	A	A	A
Dimensions of the product (H x W x D) (inc. door porthole) (mm)	848 x 598 x 590 (636)	848 x 598 x 590 (649)	848 x 598 x 590 (649)
Door opening angle	165°	165°	165°

• = Yes - = No
^{1,2} On an energy-efficiency class scale from A to G ³ Energy consumption in kWh/100 complete operating cycles (using Eco 40-60 programme)
⁴ Water consumption in litres/complete operating cycle (using Eco 40-60 programme) ⁵ Energy consumption in kWh/100 wash cycles (using Eco 40-60 programme)
⁶ Water consumption in litres/wash cycle (using Eco 40-60 programme) ⁷ Duration of Eco 40-60 programme, complete operating cycle / wash cycle
⁸ The specified value is rounded. **Data valid in this table as of April 2025.** Subject to modification without prior notice.

Our tumble dryers are economical, easy to use, and dry your laundry in next to no time. With the help of gentle warm air, a wide range of programmes and our fabric-protecting drum structure, you can always expect the best care for every laundry item.

TO FIND OUT MORE ABOUT OUR BOSCH FREESTANDING TUMBLE DRYER RANGE, PLEASE SCAN THE QR CODE BELOW:



Model shown: WTH85225GB

Tumble dryer functions explained.

Check model for available functions.



Heat Pump dryers

Our heat pump dryers use an innovative heat pump component, which conserves and reuses the hot air to provide most of the energy needed for the dryer processes.



Self-Cleaning condenser

The Self-Cleaning condenser cleverly uses condensation water to automatically clean itself up to four times per drying cycle. This ensures maximum efficiency for the entire working life of the machine – so you'll never have to worry about the condenser again.



Anti Vibration Design

With our Anti Vibration sidewall, our dryers are engineered to be not only extremely stable but also very quiet. This is made possible through the implementation of special vibration protection technology. By minimising vibrations and noise levels, our appliances provide a peaceful and enjoyable experience, allowing you to go about your daily tasks without any disturbances.



Auto Dry

With Auto Dry sensor technology you can ensure gentle and precise drying results. Auto Dry automatically knows when your load is perfectly dry by constantly measuring the humidity, protecting your clothes against overheating.



Speed Perfect

Wash up to 65%** faster without compromising results. Speed Perfect can be used in combination with most other programmes, all loads and textiles.



Iron Assist

Bosch heat pump dryers with Iron Assist reduce or even eliminate the need to iron. A fine mist is created inside the drum which permeates the gently warmed contents and visibly smooths laundry and works well with materials such as cotton, linen and blended fabrics with high cotton contents such as jeans and business shirts*.



Easy Clean

The Easy Clean condenser filter is simple to access and only needs cleaning after every 20 cycles.

*This feature will offer varied results on different materials with limited performance on synthetic fabrics and blended fabrics with high synthetic content. This function is not suitable for silk, wool, down, leather and membrane textiles as treatment with steam may be harmful to these materials. **Difference between the duration of Easy Care Programme 40°C and the duration of Easy Care Programme 40°C in combination with Speed Perfect option.

Series 8

Our **Series 8** dryer takes the lead with superior design, quality and results. Stand out features include **Iron Assist** which gently steams freshly washed and dried items in just 20 minutes, reducing wrinkles to help reduce your ironing. Significantly cut down drying time with **Speed Perfect**, so your clothes come out perfectly dry, faster. With **Smart Dry** you can connect your Bosch Home Connect washing machine and tumble dryer so the optimal drying programme will be selected for you, based on your most recent washing cycle*. The smartest way to achieve perfectly dried laundry.

Series 6

Our **Series 6** dryer offers advanced features to make your life easier. The **Self-Cleaning condenser** cleans itself automatically, up to four times during the drying process, keeping top energy performance, keeping top energy performance. Load up your laundry and **Auto Dry** will finish it to the exact level of dryness you want – whether that's dry enough to iron or extra-dry and ready to fold. With **Bosch Home Connect** you can discover additional features to tailor your machine, to your needs.

Series 4

Our **Series 4** dryers are easy to use and quiet in operation. The **Anti Vibration** sidewall, ensures our dryers are extremely stable but also very quiet. By minimising vibrations and noise levels, our appliances provide a peaceful and enjoyable experience. Rest assured with **Auto Dry** that your clothes are protected from high temperatures and over drying.



TO FIND OUT MORE ABOUT OUR BOSCH HOME CONNECT FEATURES, PLEASE SCAN THE QR CODE BELOW:



Short on space? Have you considered a stacking kit? Please refer to compatibility list on page 92.



Smart Dry uses sensors to analyse the load of your washing machine to ensure your dryer automatically selects the ideal drying programme and duration for your clothes.*

This will save you coming back to check if your laundry is dry and will use the minimum amount of energy for the load.

Home Connect



Models shown for illustrative purposes only. *Both washing machine and tumble dryer need to be connected to the Bosch Home Connect app.



TYPE	DRYER	DRYER	DRYER
DESIGN FAMILY	SERIES 8	SERIES 6	SERIES 6
MODEL	WRB247C9GB	WQH246DRGB	WQH246D9GB
KEY FEATURES	WHITE	GRAPHITE	WHITE
Heat Pump	●	●	●
Home Connect	●	●	●
Smart Dry	●	●	●
Iron Assist	●	-	-
Auto Clean	-	-	-
Self Cleaning Condenser	●	●	●
Easy Clean filter	-	-	-
Speed Perfect	●	-	-
ADDITIONAL FEATURES			
Auto Dry	●	●	●
Anti crease cycle (mins)	120	120	120
Time delay / Time Remaining	●/●	●/●	●/●
Drum interior light	●	●	●
Water container full / Blocked filter warning indicator	●/●	●/●	●/●
Child lock	●	●	●
PROGRAMMES/FUNCTIONS			
Cottons	●	●	●
Cottons Eco	●	●	●
Easy-care	●	●	●
Hygiene	●	●	●
Woollen Finish	● (via App)	-	-
Super Quick 40	● (via App)	●	●
Timed programmes	●	●	●
Mixed Load	●	●	●
Sportswear	● (via App)	●	●
Towels	●	●	●
Delicates	●	●	●
Duvet	●	●	●
Down Wear	● (via App)	-	-
Shirts and blouses	●	●	●
Wool/Trainer basket	● (via App)	-	-
Memory/My Favourite	●	-	-
Shirts	-	-	-
End of cycle indicator	●	●	●
Low Heat option	-	-	-
Crease Guard	●	●	●
PERFORMANCE / TECHNICAL INFORMATION			
Energy efficiency class	A+++	A+++	A+++
Capacity cotton (kg)	9	9	9
Energy consumption annual (kWh/annum)	Refer to website for details	Refer to website for details	Refer to website for details
Condensation efficiency class	A	Refer to website for details	Refer to website for details
Condensation efficiency for standard cotton programme on full and partial load (weighted)	Refer to website for details	Refer to website for details	Refer to website for details
Ambient temperature range	5-35°C	5-35°C	5-35°C
Noise level (dB(A) re 1pW)	58	59	59
Dimensions of the product (inc. door) (cm)	842 x 598 x 613 (662)	842 x 598 x 613 (648)	842 x 598 x 613 (648)
Door opening angle	170°	165°	165°
Door hinge position	Right-hand / Reversible	Right-hand	Right-hand
Plumbing out possible	●	●	●
Draining kit included	●	●	●

● = Yes - = No
The programme cotton cupboard dry used at full and partial loads is the standard drying programme to which the information on the energy label refers. This is the most efficient programme in terms of energy consumption for cotton. Annual consumption is based on 160 drying cycles. **Data valid in this table as of April 2025.** Subject to modification without prior notice.



TYPE	DRYER	DRYER	DRYER	DRYER
DESIGN FAMILY	SERIES 6	SERIES 6	SERIES 4	SERIES 4
MODEL	WQG245R1GB	WQG24500GB	WTH85224GB	WTH85225GB
KEY FEATURES	GRAPHITE	WHITE	WHITE	WHITE
Heat Pump	●	●	●	●
Home Connect	-	-	-	-
Smart Dry	-	-	-	-
Iron Assist	-	-	-	-
Auto Clean	-	-	-	-
Self Cleaning Condenser	●	●	-	-
Easy Clean filter	-	-	●	●
Speed Perfect	-	-	-	-
ADDITIONAL FEATURES				
Auto Dry	●	●	●	●
Anti crease cycle (mins)	120	120	120	120
Time delay / Time Remaining	●/●	●/●	●/●	●/●
Drum interior light	●	●	-	-
Water container full / Blocked filter warning indicator	●/●	●/●	●/●	●/●
Child lock	●	●	●	●
PROGRAMMES/FUNCTIONS				
Cottons	●	●	●	●
Cottons Eco	●	●	●	-
Easy-care	●	●	●	●
Hygiene	●	●	-	-
Woollen Finish	●	●	●	●
Super Quick 40	●	●	●	●
Timed programmes	●	●	●	●
Mixed Load	●	●	●	●
Sportswear	●	●	●	●
Towels	●	●	●	●
Delicates	●	●	●	●
Duvet	-	-	-	-
Down Wear	●	●	-	-
Shirts and blouses	●	●	-	●
Wool/Trainer basket	-	-	-	-
Memory/My Favourite	-	-	-	-
Shirts	●	●	●	●
End of cycle indicator	●	●	●	●
Low Heat option	-	-	●	●
Crease Guard	●	●	●	●
PERFORMANCE / TECHNICAL INFORMATION				
Energy efficiency class	A+++	A+++	A++	A++
Capacity cotton (kg)	9	9	8	8
Energy consumption annual (kWh/annum)	193	193	216	235
Condensation efficiency class	B	B	B	B
Condensation efficiency for standard cotton programme on full and partial load (weighted)	88%	88%	83%	83%
Ambient temperature range	5-35°C	5-35°C	5-35°C	5-35°C
Noise level (dB(A) re 1pW)	61	61	63	65
Dimensions of the product (inc. door) (cm)	842 x 598 x 613 (648)	842 x 598 x 613 (648)	842 x 598 x 613 (648)	842 x 598 x 613 (648)
Door opening angle	170°	170°	170°	170°
Door hinge position	Right-hand	Right-hand	Right-hand	Right-hand
Plumbing out possible	●	●	●	●
Draining kit included	●	●	●	●

● = Yes - = No
The programme cotton cupboard dry used at full and partial loads is the standard drying programme to which the information on the energy label refers. This is the most efficient programme in terms of energy consumption for cotton. Annual consumption is based on 160 drying cycles. **Data valid in this table as of April 2025.** Subject to modification without prior notice.

Effortlessly efficient, load after load. Our built-in laundry appliances are designed to perform perfectly, everytime. And our advanced technology means your clothes are cleaned effectively and efficiently.



Time Light.

Bosch washing machines are so quiet sometimes it's hard to tell whether they are on or off, especially on fully-integrated models where there is no visible control panel. The Time Light indicates the programme status and time remaining onto any floor surface.

Easy Installation - Cardan Drive

With our Cardan Drive system, installing your built-in washing machine is super easy.

Our machines can easily be adapted to the height of your worktop. The Cardan system allows the rear feet to be adjusted from the front of the washer, for any niche up to 60mm. Slide the machine into your kitchen unit, then simply adjust the feet easily from the front with a screwdriver.

Series 4

Models within our Series 4 range combine practical features and Bosch quality in a consistent, value for money package.



Series 8

Perfection in every detail, our Series 8 range of laundry appliances stand out from the crowd with superior quality, results and first-class design. Clever features such as Time Light take away the guesswork on the progress of the wash. Unique innovations combined with energy efficiency deliver outstanding performance.

Model shown: WIW28502GB

Series 6

Our Series 6 range of laundry appliances offers a broad choice of specialist programmes and delivers high performance and effortless convenience to enhance your lifestyle.

Laundry functions explained.

Check model for available functions.

- Eco Silence Drive™**
Our washing machines with Eco Silence Drive™ generate lower noise levels for quieter living.
- Anti Vibration Design**
A spiral design on the side of the washing machine that increases stability and reduces vibration. This makes for a quieter machine with improved sound dampening.
- Reload**
Simply pause the cycle and the machine will automatically adjust the water. This allows you to add or remove items of any size to your wash.
- Time Delay**
Have your laundry ready when you need it. Just delay the start of your programme with one simple button.

- Time Light**
The time remaining on your cycle is projected onto the floor. You can also view the programme progress status.
- Aqua Stop**
This security gives you peace of mind that the water will stop in the unlikely event of a leak.
- Vario Drum**
Select the programme for your wash and the droplet-shaped drum structure will adjust the drum movement for powerful or gentle cycles to suit the load.
- Capacity**
Our built-in washing machines have a drum capacity of up to 8kg, perfect for those busy households.

TYPE	WASHER	WASHER
DESIGN FAMILY	SERIES 8	SERIES 6
MODEL	WIW28502GB	WIW28302GB
KEY FEATURES		
Time Light projection on floor	•	-
Reload function	•	•
Speed Perfect	•	•
Reduced noise wash	•	•
Eco Silence Drive	•	•
Drum design	Vario Drum	Vario Drum
Anti Vibration design	•	•
ADDITIONAL FEATURES		
Time delay (h)	24	24
Child lock	•	•
Drum interior light	•	•
Easy Installation Cardan Drive System	•	•
Water protection system	AquaStop	AquaStop
PROGRAMMES/FUNCTIONS		
Eco 40-60	•	•
Cottons	•	•
Super Quick 15/30	•	-
Hygiene Plus	-	•
Easy-care	•	•
Mixed Load	•	•
Wool	•	•
Delicates/Silk	•	•
Shirts and blouses	•	•
Sportswear	•	-
Dark Wash/Easy Care plus/Jean	•	-
Duvet / Down wear	• / •	- / -
Drum Clean	•	-
Extra Rinse	•	-
Pre Wash	•	•
Rinse/Spin	•	•
Rinse hold	•	•
Variable Temperature / Variable Spin	• / •	- / •
PERFORMANCE / TECHNICAL INFORMATION		
Energy efficiency class ¹	A G	A G
Load capacity (kg)	1 - 8	1 - 8
Energy ² / Water ³ (kWh / litres)	62 / 45	62 / 45
Programme duration ⁴ (h:mm)	3:26	3:26
Maximum spin speed (rpm) ⁵	1400	1400
Spin efficiency class	B	B
Noise level (dB(A) re 1 pW)	66	66
Noise emission class	A	A
Dimensions of the product h x w x d (inc. hinge and 19mm door) (mm)	818 x 596 x 544 (574)	818 x 596 x 544 (574)
Door opening angle	130°	130°
Depth with open door 90° (mm)	956	956
Height adjustability (mm)	12	12
Length of electrical supply cord (cm)	210	210
Length of supply hose/ drain hose (cm)	220 / 220	220 / 220
Door hinge (door porthole)	Left-hand	Left-hand

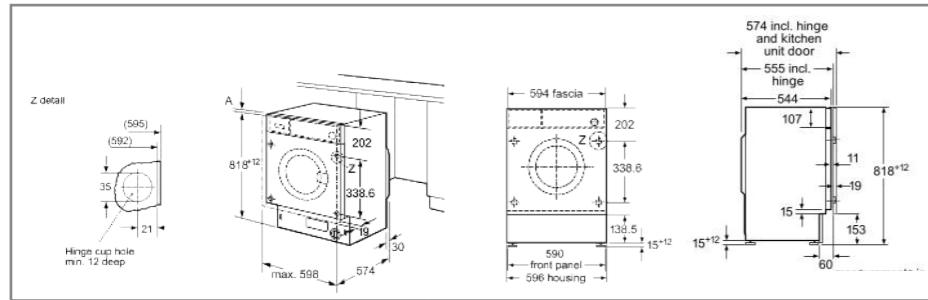
• = yes - = no
¹ On an energy-efficiency class scale from A to G
² Energy consumption in kWh/100 operating cycles (using Eco 40-60 programme)
³ Water consumption in litres/operating cycle (using Eco 40-60 programme)
⁴ Duration of Eco 40-60 programme
⁵ The specified value is rounded
Data valid in this table as of April 2025. Subject to modification without prior notice.
 For full specification details, please log onto our website and download a full specification sheet.
¹⁵ Year Warranty - Offer dates 01.04.25 - 31.03.26. T&C's apply. Online registration required. Selected models only.

TYPE	WASHER DRYER	WASHER DRYER
DESIGN FAMILY	SERIES 6	SERIES 4
MODEL	WKD28543GB	WKD28352GB
KEY FEATURES		
Flexi Time (normal/medium/short washing time selection)	•	•
Reduced ironing option	-	-
Reduced noise programme	•	-
Sensor controlled drying	•	•
ADDITIONAL FEATURES		
Time delay (h)	24	24
Foam detection system	•	•
Balance control	•	•
Child lock	•	•
Easy installation	•	•
Water protection system	Aqua Secure	Multiple water protection
PROGRAMMES/FUNCTIONS		
Hygiene Plus	•	-
Super Quick 15	•	-
Eco 40-60	•	•
Cottons	•	•
Easy-care programme	•	•
Wool programme	•	•
Delicates/Silk	•	•
Intensive wash	•	•
Intensive Dry	•	•
Gentle Dry	•	•
Easy Clean	•	•
Rinse/Spin	•	•
Spin/Drain	•	•
Sportswear	•	-
Mixed Load	•	-
Aqua Plus/Rinse Plus	•	•
Pre wash	•	•
Variable Temperature / Variable Spin	• / •	- / •
PERFORMANCE / TECHNICAL INFORMATION		
Energy efficiency class washing and drying ¹	A G	A G
Energy efficiency class washing ²	A G	A G
Energy ³ / Water ⁴ washing and drying (kWh / litres)	266 / 68	266 / 68
Energy ³ / Water ⁴ washing (kWh / litres)	77 / 44	77 / 44
Load capacity washing and drying / washing (kg)	1 - 4 / 1 - 7	1 - 4 / 1 - 7
Programme duration ⁷ washing and drying / washing (h:mm)	5:30 / 2:50	5:30 / 2:50
Spin efficiency class	B	B
Spin speed ⁸ (rpm)	1400	1400
Noise level (dB(A) re 1 pW)	72	72
Noise emission class	A	A
Dimensions of the product h x w x d (inc. hinge and 20mm door) (mm)	820 x 595 x 560 (584)	820 x 595 x 560 (584)
Door opening angle	95°	95°
Depth with open door 90° (mm)	960	960
Height adjustability (mm)	15	15
Length of electrical supply cord (cm)	220	220
Length of supply hose/ drain hose (cm)	200/200	200/200
Door hinge (door porthole)	Left-hand	Left-hand

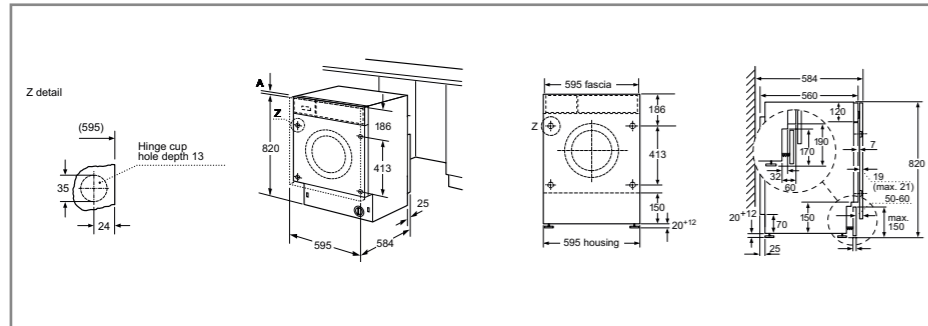
¹⁻² On an energy-efficiency class scale from A to G
³ Energy consumption in kWh/100 complete operating cycles (using Eco 40-60 programme)
⁴ Water consumption in litres/complete operating cycle (using Eco 40-60 programme)
⁵ Energy consumption in kWh/100 wash cycles (using Eco 40-60 programme)
⁶ Water consumption in litres/wash cycle (using Eco 40-60 programme)
⁷ Duration of Eco 40-60 programme, complete operating cycle / wash cycle
⁸ The specified value is rounded

Built-in home laundry technical diagrams

Washing machines and washer dryers


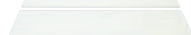


WIW28502GB, WIW28302GB



WKD28543GB, WKD28352GB





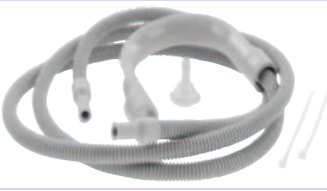
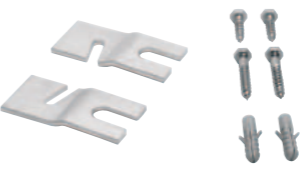

Built-in home laundry accessories

Description	Accessory Nr.	WIW28501GB	WIW28301GB	WKD28542GB	WKD28352GB
 Extension for cold water inlet/AquaStop	WMZ2381	-	-	•	•
 Height adjustable feet	WMZ20441	•	•	-	-

Freestanding stacking kit compatibility

DESCRIPTION	Accessory Nr.	Colour	Series 8		Series 6		Series 4	
			WRB247C9GB	WQH246DRGB	WQH246D9GB	WQG245R1GB	WQG24500GB	WTH85224GB
Stacking kit	WTZ20410	White	-	-	-	-	•	•
Stacking kit with pull-out shelf	WTZ11400	White	-	-	-	-	•	•
Stacking kit	WTZ27410	White	-	-	-	•	-	-
Stacking kit with pull-out shelf	WTZ27400	White	-	-	-	•	-	-
Stacking kit	WTZ2741C	Graphite	-	-	-	•	-	-
Stacking kit with pull-out shelf	WTZ27500	White	-	•	•	-	-	-
Stacking kit	WTZ27510	White	-	•	•	-	-	-
Stacking kit with pull-out shelf	WTZ2800	White	•	-	-	-	-	-

Freestanding accessories

LAUNDRY ACCESSORIES	
Stacking kit	
Model	WTZ20410
Stacking kit (pull-out shelf)	
Model	WTZ11400
Stacking kit	
Model	WTZ27410
Stacking kit (pull-out shelf)	
Model	WTZ27400
Condenser drainage kit	
Model	WTZ1110
Floor securing component	
Model	WMZ2200
Extension for cold water inlet/ AquaStop	
Model	WMZ2381

LAUNDRY ACCESSORIES	
Stacking kit	
Model	WTZ2741X
Stacking kit with pull-out shelf	
Model	WTZ2742X
Stacking kit	
Model	WTZ27510
Stacking kit with pull-out shelf	
Model	WTZ27500
Stacking kit	
Model	WTZ2741C

TO FIND OUT MORE ABOUT OUR BOSCH DISHWASHER RANGE, PLEASE SCAN THE QR CODE BELOW:



Our built-in and freestanding dishwashers offer a range of advanced technologies and additional options across the range to suit your individual requirements. To help you choose the right Bosch dishwasher, we have divided them into the four ranges below.

Model shown: SMV6ZCX10G A B

Series 8

Our **Series 8** range combines cutting-edge design and advanced technology. The **PerfectDry** function absorbs moisture before releasing it as hot air for energy-efficient drying. Exceptionally quiet, offering additional storage and flexible loading solutions our **Series 8** dishwasher is a perfect solution for busy households.

Series 6

Our **Series 6** range comes packed with technology, from energy and water-saving modes to quick washes for when time is at a premium. They also feature our clever **PerfectDry** technology and handy features such as **Max Flex** baskets, **Extra Clean Zone** and **Efficient Dry**.

Series 4

Our **Series 4** range of models offers great value for money but does not compromise on Bosch quality. They combine advanced energy and resource saving features, such as **Efficient Dry**. In addition, they offer **Vario Flex** baskets with foldable racks in the top and bottom baskets.

Series 2

Our **Series 2** dishwashers offer you the classic design with easy operation. They are the optimal solution for anyone who wants a reliable appliance with good value for money.

Drying options.

PerfectDry

The dish dryer among dishwashers.

A clever function that dries everything to perfection. And we do mean everything – plates, pans, glasses and all plastic items. Everything will be completely clean and perfectly dry, so you'll never have to pick up a tea towel to finish the job again.

The technology behind **PerfectDry** (unique to Bosch), is called **Zeolith**®. It is a process applied to every cycle that uses naturally occurring minerals that heat up when they come into contact with water. Clever **Zeolith**® beads transform humidity into warm air that speeds up the drying process. The warm air is then distributed evenly over the load.

So if you need a wash with brilliant drying results, it's time to choose Bosch.

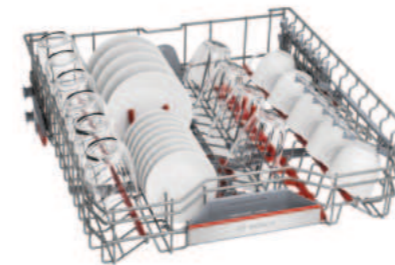
+++ Extra Dry

Want your dishes extra dry? No problem. This function gives you even more drying power when you need it. Just choose the Extra Dry option and more heat will be created to extend your load's drying cycle.

Efficient Dry

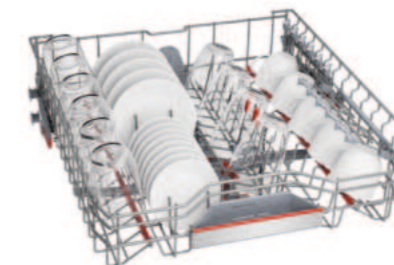
Automatically opens your dishwasher door, offering better drying results compared to a closed door (after 30 minutes). Select this feature via the Bosch Home Connect app, available on all programmes except pre-rinse and machine care.

Choose the right basket flexibility options for your dishwashing needs.



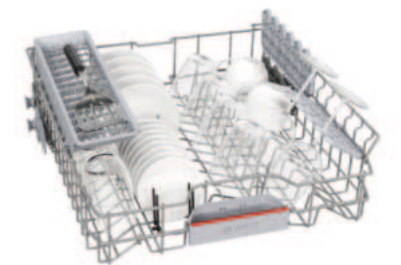
Max Flex Pro

Stainless steel fascias.
Colour touch points as standard.
Top rack flexible areas: 6
Bottom basket flexible areas: 8



Max Flex

Brand coloured plastic fascias.
Options with and without colour touch points. Top rack flexible areas: 2
Bottom basket flexible areas: 6



Vario Flex

Grey plastic fascias.
Top rack flexible areas: 2
Bottom basket flexible areas: 4

Get more with Bosch Home Connect

Available on all dishwashers*

To stay at their best, different dishes and glassware need to be washed in different ways. With the Bosch Home Connect app, simply tell your dishwasher what's in the load and it'll work out the perfect programme. Use your voice to start your dishwasher or even find out how long before your dishes are ready. You can even link your Bosch Home Connect-enabled dishwasher with the Smart Finish auto-replenishment service to ensure you never run out of dishwasher tablets again.

TO FIND OUT MORE ABOUT BOSCH HOME CONNECT FEATURES, PLEASE SCAN THE QR CODE BELOW:



Silence & Speed On Demand Intelligent Programme

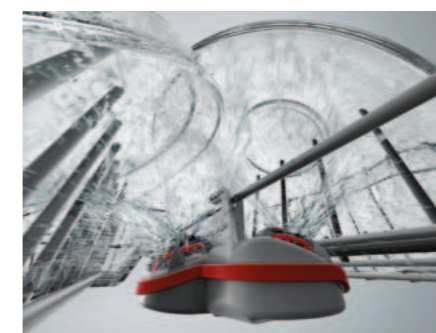
Use your Bosch Home Connect app or Amazon Alexa to tell your dishwasher to be quiet or faster.

Our intelligent programme adapts itself for your maximum satisfaction. After 3 cycles, you will be prompted to leave your feedback on the cleanliness, drying or length of the programme, or you can do so manually after every cycle.

Programme Assistant

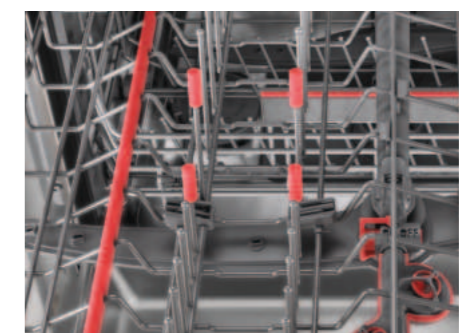
Use Programme Assistant to tell your dishwasher what it's washing and how you want it cleaned. Bosch Home Connect will then recommend the ideal programme, ensuring the optimum amount of water and energy is used every time.

*apart from these models: SMS26AW08G & SMS26AI08G.



Extra Clean Zone

Extra thorough cleaning for heavily soiled items in the upper basket. This intensive zone doesn't need higher temperatures, it uses 3 jets to clean those stubborn items. So no more pre-soaking before going into the dishwasher!



Glassware support with smooth gliding baskets

New anti-slip elements and stemware support within the upper basket will give extra protection to all glassware. Baskets will glide effortlessly along the internal brackets, thanks to our new pull out systems.

Available sizes:



60cm



45cm



Different types of control.

Series 6



LED Display with touch control



LED Display with button control

Series 4



LED Display with button control

Series 2



LED Display with toggle control

Dishwasher functions explained.

Check model for available functions.



Extra Dry
Want your dishes extra dry? No problem. This function gives you even more drying power when you need it. Just choose the Extra Dry option and more heat will be created to extend your load's drying cycle.



PerfectDry
PerfectDry uses Zeolith® technology that's applied to every cycle, which uses minerals that heat up when they come in contact with water. This clever function dries everything to perfection – from plates and pans to all plastic items.



Efficient Dry
Efficient Dry automatically opens your dishwasher door, offering better drying results compared to a closed door (after 30 minutes). Select this feature via the Bosch Home Connect app, available on all programmes except pre-rinse and machine care.



SpeedPerfect+
Our SpeedPerfect+ option reduces programme times without compromising on quality. So you still get hygienically clean and dry dishes but the duration of the cycle could be reduced by up to half the time* – ideal for busy households and entertaining.
*Except: Prewash, Express 45° and Express 65° programme.



Place Settings
A selection of our dishwashers will hold up to 14 place settings in one load – perfect for larger households.



Self-cleaning filters
Self-cleaning filter system, with spray arms designed to direct water at the filters on every rotation. Please note, self-cleaning filters are designed to keep filters clear during the washing cycle. Regular filter cleaning and maintenance is still recommended.



Dosage Assist
Get the most out of your detergent with Dosage Assist; a small area at the front of the top basket that catches the tablet when it's released during the cycle. It controls how the tablet is dissolved for optimum performance.



Duo Power
Our 45cm models feature a twin spray arm in the top basket to ensure perfect water coverage every time.



Active Water
Save water with every load and only use the right amount of water needed for each load.



Available June 2025



DISHWASHER TYPE	60CM DISHWASHERS		
DESIGN FAMILY	SERIES 6	SERIES 6	SERIES 6
MODEL	SMS6TCI02G	SMS6ZCI10G	SMS6ZCW10G
Colour	Silver Inox	Silver Inox	White
DESIGN FEATURES			
Drying system	PerfectDry Zeolith® / Efficient Dry	PerfectDry Zeolith®	PerfectDry Zeolith®
Home Connect Wi-Fi connectivity	•	•	•
Control panel type	Touch control + LED	Front button control + LED	Front button control + LED
Basket description	Max Flex	Vario Flex	Vario Flex
Vario Drawer	Vario Drawer	Vario Drawer	Vario Drawer
Extra Clean Zone	•	-	-
Glass care technology	•	•	•
Anti-slip protection / stemware support upper basket	•/•	-/-	-/-
Adjustable upper basket	3-stage Rackmatic™	3-stage Rackmatic™	3-stage Rackmatic™
Number of flip tines in upper / lower basket	2 / 6	2 / 4	2 / 4
Cup shelves upper / lower baskets	2 / 2	2 / -	2 / -
Cutlery holder lower basket	-	-	-
Largest loadable dish upper / lower basket (cm)	21 / 30	21 / 30	21 / 30
Aqua sensor	•	•	•
Real-time clock	-	-	-
Start delay time max hours	24	24	24
Time remaining indicator	•	•	•
Emotion light (interior lighting)	-	-	-
End of cycle indicator	-	-	-
Salt / Rinse aid light indicator	•/•	•/•	•/•
Self-cleaning filter system	•	•	•
Flood protection system	Aqua Stop 24h	Aqua Stop 24h	Aqua Stop 24h
Safety features	Control panel lock, door lock	Control panel lock, door lock	Control panel lock, door lock
PROGRAMMES / FUNCTIONS			
List of programmes	Intelligent 40°C, Eco 50°C, Auto 45-65°C, Intensive 70°C, Express 60°C, Glass 40°C, Silence 50°C, Favourite, Machine Care	Eco 50°C, Auto 45-65°C, Intensive 70°C, Express 60°C, Silence 50°C, Favourite, Machine Care	Eco 50°C, Auto 45-65°C, Intensive 70°C, Express 60°C, Silence 50°C, Favourite, Machine Care
Additional special options	Remote Start, Extra Dry, Intensive Zone, SpeedPerfect+	Remote Start, Extra Dry, Half Load, SpeedPerfect+	Remote Start, Extra Dry, Half Load, SpeedPerfect+
TECHNICAL SPECIFICATIONS			
Reference programme for measurements	Eco 50°C	Eco 50°C	Eco 50°C
Energy efficiency class ¹	A	B	B
Energy ² / water ³ (kWh / litres)	54 / 9.5	65 / 9	65 / 9
Load capacity (place settings)	14	14	14
Programme duration* (h:min)	4:55	3:35	3:35
Noise level (dB(A) re 1 pW)	42	40	40
Noise efficiency class	B	B	B
Noise level (silence programme) (dB(A) re 1 pW)	41	39	39
Maximum height adjustability feet (cm)	2	2	2
Depth with open door 90 degree (cm)	115.5	115.5	115.5
Length of electrical supply cord (cm)	175	175	175
Length inlet / outlet hose (cm)	165 / 190	165 / 190	165 / 190
Height of the product with removable top (cm)	84.5	84.5	84.5
Height of the product without removable top (cm)	81.5	81.5	81.5
Width / Depth of the product (cm)	60 / 60	60 / 60	60 / 60
Net weight / Gross weight (kg)	53 / 54	55 / 57	55 / 57
Water softener ⁴	•	•	•
Maximum accepted water hardness (°DH)	50	50	50
Maximum temperature for water intake (°C)	60	60	60
Interior cavity	Stainless steel	Stainless steel	Stainless steel
Included accessories	-	-	-

• = Yes - = No
¹On an energy efficiency class scale from A to G
²Energy consumption in kWh/100 operating cycles (using Eco programme)
³Water consumption in litres/operating cycle (using Eco programme)
⁴Duration of Eco programme
⁵We would recommend our dishwashers are connected to the mains water supply where possible. However, they may also be connected to an external water softener as long as the water softener produces softened water of less than 1.1 mmol/litre (7.0°e) and the water softener in the appliance is turned off. Please contact product advice for further information. Water pressure required: 0.5-10 Bar. Flow rate: 10 litres per minute. Inlet valve connected directly to ½" screwed joint.
Data valid in this table as of April 2025. Subject to modification without prior notice.

⁵5 year warranty - Offer dates 01.04.25 - 31.03.26. T&C's apply. Online registration required. Selected models only.



60CM DISHWASHERS				
DESIGN FAMILY	SERIES 4	SERIES 4	SERIES 4	SERIES 4
MODEL	SMS4EMI06G	SMS4EMW06G	SMS4EKI06G	SMS4EKW06G
Colour	Silver Inox	White	Silver Inox	White
DESIGN FEATURES				
Drying system	Efficient Dry / Heat exchanger	Efficient Dry / Heat exchanger	Efficient Dry / Heat exchanger	Efficient Dry / Heat exchanger
Home Connect Wi-Fi connectivity	●	●	●	●
Control panel type	Front button control + LED	Front button control + LED	Front button control + LED	Front button control + LED
Basket description	Vario Flex	Vario Flex	Vario Flex	Vario Flex
Vario Drawer	Vario Drawer	Vario Drawer	-	-
Extra Clean Zone	-	-	-	-
Glass care technology	●	●	●	●
Anti-slip protection / stemware support upper basket	-/-	-/-	-/-	-/-
Adjustable upper basket	3-stage Rackmatic™	3-stage Rackmatic™	3-stage Rackmatic™	3-stage Rackmatic™
Number of flip tines in upper / lower basket	2 / 4	2 / 4	2 / 4	2 / 4
Cup shelves upper / lower baskets	2 / -	2 / -	2 / -	2 / -
Cutlery holder lower basket	-	-	●	●
Largest loadable dish upper / lower basket (cm)	21 / 30	21 / 30	27 / 30	27 / 30
Aqua sensor	●	●	●	●
Real-time clock	-	-	-	-
Start delay time max hours	24	24	24	24
Time remaining indicator	●	●	●	●
Emotion light (interior lighting)	-	-	-	-
End of cycle indicator	-	-	-	-
Salt / Rinse aid light indicator	●/●	●/●	●/●	●/●
Self cleaning filter system	●	●	●	●
Single water protection	Internal	Internal	Internal	Internal
Safety features	Control panel lock, door lock	Control panel lock, door lock	Control panel lock, door lock	Control panel lock, door lock
PROGRAMMES / FUNCTIONS				
List of programmes	Eco 50°C, Auto 45-65°C, Intensive 70°C, Express 65°C, Silence 50°C, Favourite, Machine Care	Eco 50°C, Auto 45-65°C, Intensive 70°C, Express 65°C, Silence 50°C, Favourite, Machine Care	Eco 50°C, Auto 45-65°C, Intensive 70°C, Express 65°C, Silence 50°C, Favourite, Machine Care	Eco 50°C, Auto 45-65°C, Intensive 70°C, Express 65°C, Silence 50°C, Favourite, Machine Care
Additional special options	Remote Start, Extra Dry, Half Load, SpeedPerfect+	Remote Start, Extra Dry, Half Load, SpeedPerfect+	Remote Start, Extra Dry, Half Load, SpeedPerfect+	Remote Start, Extra Dry, Half Load, SpeedPerfect+
TECHNICAL SPECIFICATIONS				
Reference programme for measurements	Eco 50°C	Eco 50°C	Eco 50°C	Eco 50°C
Energy efficiency class ¹				
Energy ² / water ³ (kWh / litres)	65 / 9	65 / 9	64 / 9	64 / 9
Load capacity (place settings)	14	14	13	13
Programme duration ⁴ (h:min)	3:35	3:35	3:35	3:35
Noise level (dB(A) re 1 pW)	42	42	42	42
Noise efficiency class	B	B	B	B
Noise level (silence programme) (dB(A) re 1 pW)	41	41	41	41
Maximum height adjustability feet (cm)	2	2	2	2
Depth with open door 90 degree (cm)	115.5	115.5	115.5	115.5
Length of electrical supply cord (cm)	175	175	175	175
Length inlet / outlet hose (cm)	165 / 190	165 / 190	165 / 190	165 / 190
Height of the product with removable top (cm)	84.5	84.5	84.5	84.5
Height of the product without removable top (cm)	81.5	81.5	81.5	81.5
Width / Depth of the product (cm)	60 / 60	60 / 60	60 / 60	60 / 60
Net weight / Gross weight (kg)	47 / 52	47 / 52	44 / 49	43 / 48
Water softener ⁵	●	●	●	●
Maximum accepted water hardness (°DH)	50	50	50	50
Maximum temperature for water intake (°C)	60	60	60	60
Interior cavity	Stainless steel	Stainless steel	Stainless steel	Stainless steel
Included accessories	-	-	-	-

● = Yes - = No
¹On an energy efficiency class scale from A to G
²Energy consumption in kWh/100 operating cycles (using Eco programme)
³Water consumption in litres/operating cycle (using Eco programme)
⁴Duration of Eco programme
⁵We would recommend our dishwashers are connected to the mains water supply where possible. However, they may also be connected to an external water softener as long as the water softener produces softened water of less than 1.1 mmol/litre (7.0°e) and the water softener in the appliance is turned off. Please contact product advice for further information. Water pressure required: 0.5-10 Bar. Flow rate: 10 litres per minute. Inlet valve connected directly to ¾" screwed joint.
Data valid in this table as of April 2025. Subject to modification without prior notice.

*5 year warranty - Offer dates 01.04.25 - 31.03.26. T&C's apply. Online registration required. Selected models only.



60CM DISHWASHERS				
DESIGN FAMILY	SERIES 2	SERIES 2	SERIES 2	SERIES 2
MODEL	SMS2HVI06G	SMS2HVW06G	SMS26AI08G	SMS26AW08G
Colour	Silver Inox	White	Silver Inox	White
DESIGN FEATURES				
Drying system	Heat exchanger	Heat exchanger	Heat exchanger	Heat exchanger
Home Connect	●	●	-	-
Control panel type	Front toggle control + LED	Front toggle control + LED	Front Button control + LED	Front Button control + LED
Basket description	Vario	Vario	Vario	Vario
Vario Drawer	Vario Drawer	Vario Drawer	-	-
Extra Clean Zone	-	-	-	-
Glass care technology	●	●	●	●
Anti-slip protection / stemware support upper basket	-/-	-/-	-/-	-/-
Adjustable upper basket	3-stage Rackmatic™	3-stage Rackmatic™	Adjustable when empty	Adjustable when empty
Number of flip tines in upper / lower basket	-/2	-/2	-/2	-/2
Cup shelves upper / lower baskets	2 / -	2 / -	2 / -	2 / -
Cutlery holder lower basket	-	-	●	●
Largest loadable dish upper / lower basket (cm)	21 / 30	21 / 30	27 / 30	27 / 30
Aqua sensor	●	●	●	●
Real-time clock	-	-	-	-
Start delay time max hours	24	24	24	24
Time remaining indicator	●	●	●	●
Emotion light (interior lighting)	-	-	-	-
End of cycle indicator	-	-	-	-
Salt / Rinse aid light indicator	●/●	●/●	●/●	●/●
Self cleaning filter system	●	●	●	●
Single water protection	Internal	Internal	Internal	Internal
Safety features	Control panel lock, door lock	Control panel lock, door lock	Door lock	Door lock
PROGRAMMES / FUNCTIONS				
List of programmes	Eco 50°C, Auto 45-65°C, Intensive 70°C, Express 65°C, Silence 50°C, Favourite, Machine Care	Eco 50°C, Auto 45-65°C, Intensive 70°C, Express 65°C, Silence 50°C, Favourite, Machine Care	Eco 50°C, Auto 45-65°C, Intensive 70°C, 1h 65°C, Silence 50°C, Pre-Rinse, Machine Care	Eco 50°C, Auto 45-65°C, Intensive 70°C, 1h 65°C, Silence 50°C, Pre-Rinse, Machine Care
Additional special options	Remote start, Extra Dry, Half Load, SpeedPerfect+	Remote start, Extra Dry, Half Load, SpeedPerfect+	Extra Dry, Hygiene+, Vario Speed Plus	Extra Dry, Hygiene+, Vario Speed Plus
TECHNICAL SPECIFICATIONS				
Reference programme for measurements	Eco 50°C	Eco 50°C	Eco 50°C	Eco 50°C
Energy efficiency class ¹				
Energy ² / water ³ (kWh / litres)	85 / 9	85 / 9	92 / 9.5	92 / 9.5
Load capacity (place settings)	14	14	12	12
Programme duration ⁴ (h:min)	4:30	4:30	3:30	3:30
Noise level (dB(A) re 1 pW)	46	46	46	46
Noise efficiency class	C	C	C	C
Noise level (silence programme) (dB(A) re 1 pW)	45	45	-	-
Maximum height adjustability feet (cm)	2	2	2	2
Depth with open door 90 degree (cm)	115.5	115.5	115.5	115.5
Length of electrical supply cord (cm)	175	175	175	175
Length inlet / outlet hose (cm)	165 / 190	165 / 190	165 / 190	165 / 190
Height of the product with removable top (cm)	84.5	84.5	84.5	84.5
Height of the product without removable top (cm)	81.5	81.5	81.5	81.5
Width / Depth of the product (cm)	60 / 60	60 / 60	60 / 60	60 / 60
Net weight / Gross weight (kg)	47 / 52	47 / 52	xx / xx	xx / xx
Water softener ⁵	●	●	●	●
Maximum accepted water hardness (°DH)	50	50	50	50
Maximum temperature for water intake (°C)	60	60	60	60
Interior cavity	Stainless steel / Polinox base	Stainless steel / Polinox base	Stainless steel / Polinox base	Stainless steel / Polinox base
Included accessories	-	-	-	-

● = Yes - = No
¹On an energy efficiency class scale from A to G
²Energy consumption in kWh/100 operating cycles (using Eco programme)
³Water consumption in litres/operating cycle (using Eco programme)
⁴Duration of Eco programme
⁵We would recommend our dishwashers are connected to the mains water supply where possible. However, they may also be connected to an external water softener as long as the water softener produces softened water of less than 1.1 mmol/litre (7.0°e) and the water softener in the appliance is turned off. Please contact product advice for further information. Water pressure required: 0.5-10 Bar. Flow rate: 10 litres per minute. Inlet valve connected directly to ¾" screwed joint.
Data valid in this table as of April 2025. Subject to modification without prior notice.

*5 year warranty - Offer dates 01.04.25 - 31.03.26. T&C's apply. Online registration required. Selected models only.

45cm & compact dishwashers



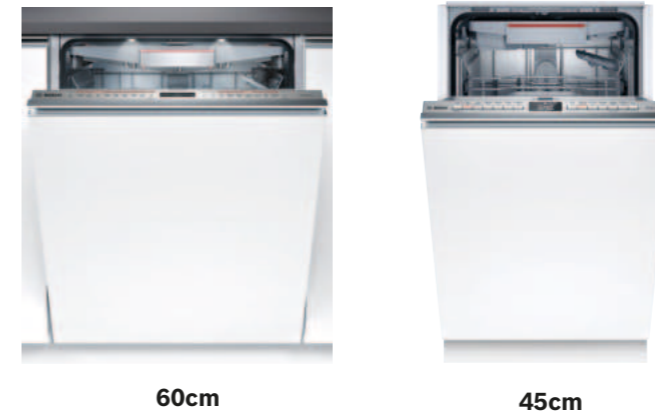
DISHWASHER TYPE	45CM DISHWASHER		
DESIGN FAMILY	SERIES 4	SERIES 4	SERIES 2
MODEL	SPS4HMI49G	SPS4HMI49G	SPS2IKW01G
Colour	Silver Inox	White	White
DESIGN FEATURES			
Drying system	Heat exchanger	Heat exchanger	Inherent heat
Home Connect WiFi connectivity	•	•	•
Control panel type	Front button control + LED	Front button control + LED	Front toggle control + LED
Basket description	Vario Flex	Vario Flex	Normal basket
Vario Drawer	Vario Drawer	Vario Drawer	-
Extra Clean Zone	-	-	-
Glass care technology	•	•	•
Anti-slip protection / stemware support upper basket	• / -	• / -	- / -
Adjustable upper basket	3-stage Rackmatic™	3-stage Rackmatic™	Adjustable when empty
Number of flip times in upper / lower basket	2 / 2	2 / 2	- / -
Cup shelves upper / lower baskets	1 / 1	1 / 1	2 / -
Cutlery holder lower basket	-	-	•
Largest loadable dish upper / lower basket (cm)	21 / 30	21 / 30	27 / 30
Aqua sensor	•	•	•
Real-time clock	-	-	-
Start delay time max hours	24	24	9
Time remaining indicator	•	•	•
Emotion light (interior lighting)	-	-	-
End of cycle indicator	-	-	-
Salt / Rinse aid light indicator	• / •	• / •	• / •
Self cleaning filter system	•	•	•
Flood protection system	Internal	Internal	Internal
Safety features	Control panel lock / door lock	Control panel lock / door lock	Door lock
PROGRAMMES / FUNCTIONS			
List of programmes	Eco 50°C, Auto 45-65°C, Intensive 70°C, Express 65°C, Silence 50°C, Favourite, Machine Care	Eco 50°C, Auto 45-65°C, Intensive 70°C, Express 65°C, Silence 50°C, Favourite, Machine Care	Eco 50°C, Auto 45-65°C, Intensive 70°C, Express 65°C, Favourite, Machine Care
Additional special options	Remote Start, Extra Dry, Intensive Zone, SpeedPerfect+	Remote Start, Extra Dry, Intensive Zone, SpeedPerfect+	Remote Start, Extra Dry, SpeedPerfect
TECHNICAL SPECIFICATIONS			
Reference programme for measurements	Eco 50°C	Eco 50°C	Eco 50°C
Energy efficiency class ¹	A G	A G	A F
Energy ² / water ³ (kWh / litres)	76 / 9.5	76 / 9.5	78 / 9.5
Load capacity (place settings)	10	10	9
Programme duration* (h:min)	3:40	3:40	3:35
Noise level (dB(A) re 1 pW)	44	44	48
Noise efficiency class	C	C	C
Noise level (silence programme) (dB(A) re 1 pW)	42	42	-
Maximum height adjustability feet (cm)	2	2	2
Depth with open door 90 degree (cm)	115.5	115.5	115.5
Length of electrical supply cord (cm)	175	175	175
Length inlet / outlet hose (cm)	165 / 205	165 / 205	165 / 205
Height of the product with removable top (cm)	84.5	84.5	84.5
Height of the product without removable top (cm)	81.5	81.5	81.5
Width / Depth of the product (cm)	45 / 60	45 / 60	45 / 60
Net weight / Gross weight (kg)	38 / 42	40 / 42	41 / 46
Water softener ⁴	•	•	•
Maximum accepted water hardness (°DH)	50	50	35
Maximum temperature for water intake (°C)	60	60	60
Interior cavity	Stainless steel	Stainless steel	Stainless steel
Included accessories	-	-	-

• = Yes - = No
¹On an energy-efficiency class scale from A to G
²Energy consumption in kWh/100 operating cycles (using Eco programme)
³Water consumption in litres/operating cycle (using Eco programme)
⁴Duration of Eco programme
⁵We would recommend our dishwashers are connected to the mains water supply where possible. However, they may also be connected to an external water softener as long as the water softener produces softened water of less than 1.1 mmol/litre (7.0°e) and the water softener in the appliance is turned off. Please contact product advice for further information. Water pressure required: 0.5-10 Bar. Flow rate: 10 litres per minute. Inlet valve connected directly to ¾" screwed joint.
Data valid in this table as of April 2025. Subject to modification without prior notice.

*5 year warranty - Offer dates 01.04.25 - 31.03.26. T&C's apply. Online registration required. Selected models only.

Built-in dishwashers

Available sizes:



Vario Hinge.

The innovative Vario Hinge system is the optimal solution for challenging built-in dishwashers. In kitchens with a low plinth (<90mm) and extra long furniture fronts, the door and appliances might collide into each other. With Vario Hinge, the furniture front slides up so the door opens perfectly without collision. This ensures perfect design of a fully integrated kitchen. Vario Hinge is available in Series 4, in 81.5cm height.



Different types of control.



Grey touch control with LCD display



Grey touch control with LED display



Stainless steel push button control with LED display



Black toggle control with LED display



Time Light

Bosch dishwashers are so quiet that sometimes it's hard to tell whether they are on or off, especially on fully-integrated models where there is no visible control panel. The Time Light indicates the programme status and time remaining onto any floor surface.



Info Light

Coloured light beam projects onto the floor when the machine cycle is started, and turns off when finished.



Emotion Light

Lights up the dishwasher cavity with 2 white LED lights.



Door Open Assist

With Open Assist you can open fully integrated dishwashers by simply touching the front of the unit. This partially opens the door, making it easy to load and unload the dishwasher. The handle-free dishwasher door is the optimal choice for modern design kitchens with matching-style unit fronts. Activate the electronic child lock for the door to make this a double push to open.

Machine care.

Your dishwasher will look after itself with this smart function. Optimising the water and energy consumption, it works on a short run time of 80-90 minutes at high temperatures. It eliminates limescale and grease deposits inside the dishwasher and works with a standard machine-care detergent. On selected Series 8 and Series 6 models, it will even remind you to run the programme every 30 cycles.

Whisper quiet washing.

Bosch dishwashers are amongst the quietest in the world. With the revolutionary **Eco Silence Drive™** there are dishwashers in the range which operate as low as 40 decibels, when the Silence programme is selected.

10 year anti-rust warranty*.

Our appliances are made from top quality materials and in addition to our standard appliance warranty, we provide a free of charge warranty against rusting-through of the dishwasher's inner cavity.

*T&Cs apply. Registration required.



FULLY INTEGRATED 60CM			
TYPE	FULLY INTEGRATED 60CM		
DESIGN FAMILY	SERIES 8	SERIES 6	SERIES 6
MODEL	SMD8YCX03G	SMD6YCX01G	SMD6ZCX60G
Control panel colour	Grey	Stainless steel	Grey
Height (cm) / Hinge type	81.5 / Fixed	81.5 / Fixed	81.5 / Fixed
DESIGN FEATURES			
Drying system	PerfectDry Zeolith® / Efficient Dry	PerfectDry Zeolith® / Efficient Dry	PerfectDry Zeolith®
Home Connect	●	●	●
Control panel type	Touch control + TFT	Touch control + LED	Touch control + LED
Basket description	Max Flex Pro	Max Flex	Max Flex
Vario Drawer	Vario Drawer	Vario Drawer	Vario Drawer
Extra Clean Zone	●	●	●
Status indicator	Time Light (White)	Time Light (White)	Time Light (White)
Door open assist	●	●	●
Glass care technology	●	●	●
Anti-slip protection / stemware support upper basket	● / ●	● / ●	● / ●
Adjustable upper basket	3-stage Rackmatic™	3-stage Rackmatic™	3-stage Rackmatic™
Number of flip times in upper / lower basket	6 / 8	2 / 6	2 / 6
Cup shelves upper / lower baskets	2 / 2	2 / 2	2 / 2
Cutlery holder lower basket	-	-	-
Largest loadable dish upper / lower basket (cm)	21 / 30	21 / 30	21 / 30
Aqua sensor	●	●	●
Real-time clock	●	-	-
Start delay time max hours	24	24	24
Emotion light (interior lighting)	●	-	-
End of cycle indicator	Acoustic	Acoustic	Acoustic
Salt / Rinse aid light indicator	● / ●	● / ●	● / ●
Self cleaning filter system	●	●	●
Flood protection system	Aqua Stop 24h	Aqua Stop 24h	Aqua Stop 24h
Safety features	Door lock	Door lock	Door lock
PROGRAMMES / FUNCTIONS			
List of programmes	Intelligent 40°C, Eco 50°C, Auto 45-65°C, Intensive 70°C, Express 60°C, Glass 40°C, Silence 50°C, Favourite, Machine Care	Intelligent 40°C, Eco 50°C, Auto 45-65°C, Intensive 70°C, Express 60°C, Glass 40°C, Silence 50°C, Favourite, Machine Care	Eco 50°C, Auto 45-65°C, Intensive 70°C, Express 60°C, Express 45°C, Glass 40°C, Silence 50°C, Favourite, Machine Care
Additional special options	Remote Start, Extra Dry, Intensive Zone, Hygiene+, SpeedPerfect+	Remote Start, Extra Dry, Half Load, SpeedPerfect+	Remote Start, Extra Dry, Intensive Zone, SpeedPerfect+
TECHNICAL SPECIFICATIONS			
Reference programme for measurements	Eco 50°C	Eco 50°C	Eco 50°C
Energy efficiency class ¹	A	A	C
Energy ² / water ³ : kWh / litres	54 / 9.5	54 / 9.5	74 / 7.7
Load capacity (place settings)	14	14	13
Programme duration ⁴ : h:min	4:55	4:55	3:45
Noise level: dB (A) re 1 pW	44	44	44
Noise efficiency class	B	B	B
Noise level (silence programme): dB (A) re 1 pW	43	43	42
Length of electrical supply cord (cm)	175	175	175
Length inlet / outlet hose (cm)	165 / 190	165 / 190	165 / 190
Maximum height for installation (mm)	875	875	875
Maximum height adjustability feet (mm)	60	60	60
Maximum width for installation (mm)	600	600	600
Width / Depth of the product (mm)	598 / 550	598 / 550	598 / 550
Net weight / Gross weight (kg)	45 / 47	43 / 45	43 / 45
Water softener ⁵	●	●	●
Maximum accepted water hardness (°DH)	50	50	50
Maximum temperature for water intake (°C)	60	60	60
Interior cavity	Stainless steel	Stainless steel	Stainless steel
Included accessories	Steam protection strip	Steam protection strip	Steam protection strip

● Yes, model has this feature - No, model does not have this feature
¹ On an energy-efficiency class scale from A to G
² Energy consumption in kWh/100 operating cycles (using Eco programme)
³ Water consumption in litres/operating cycle (using Eco programme)
⁴ Duration of Eco programme
⁵ We would recommend our dishwashers are connected to the mains water supply where possible. However, they may also be connected to an external water softener as long as the water softener produces softened water of less than 1.1 mmol/litre (7.0°e) and the water softener in the appliance is turned off. Please contact product advice for further information. Water pressure required: 0.5-10 Bar. Flow rate: 10 litres per minute. Inlet valve connected directly to ¾" screwed joint.
Data valid in this table as of April 2025. Subject to modification without prior notice.

⁵ 5 year warranty - Offer dates 01.04.25 - 31.03.26. T&C's apply. Online registration required. Selected models only.

FULLY INTEGRATED 60CM			
TYPE	FULLY INTEGRATED 60CM		
DESIGN FAMILY	SERIES 6	SERIES 4	SERIES 4
MODEL	SMV6ZCX10G	SMV4ECX23G	SMV4EAX23G
Control panel colour	Stainless steel	Stainless steel	Stainless steel
Height (cm) / Hinge type	81.5 / Fixed	81.5 / Fixed	81.5 / Fixed
DESIGN FEATURES			
Drying system	PerfectDry Zeolith®	Efficient Dry / Heat exchanger	Efficient Dry / Heat exchanger
Home Connect	●	●	●
Control panel type	Push buttons + LED	Push buttons + LED	Push buttons + LED
Basket description	Max Flex	Vario Flex	Vario Flex
Vario Drawer	Vario Drawer	Vario Drawer	-
Extra Clean Zone	-	-	-
Status indicator	Time Light (White)	Info Light (Red)	Info Light (Red)
Door open assist	-	-	-
Glass care technology	●	●	●
Anti-slip protection / stemware support upper basket	- / -	- / -	- / -
Adjustable upper basket	3-stage Rackmatic™	3-stage Rackmatic™	3-stage Rackmatic™
Number of flip times in upper / lower basket	2 / 4	2 / 4	2 / 4
Cup shelves upper / lower baskets	2 / -	2 / -	2 / -
Cutlery holder lower basket	-	-	●
Largest loadable dish upper / lower basket (cm)	21 / 30	21 / 30	27 / 30
Aqua sensor	●	●	●
Real-time clock	-	-	-
Start delay time max hours	24	24	24
Emotion light (interior lighting)	-	-	-
End of cycle indicator	Acoustic	Acoustic	Acoustic
Salt / Rinse aid light indicator	● / ●	● / ●	● / ●
Self cleaning filter system	●	●	●
Flood protection system	Aqua Stop 24h	Aqua Stop 24h	Aqua Stop 24h
Safety features	Door lock	Door lock	Door lock
PROGRAMMES / FUNCTIONS			
List of programmes	Eco 50°C, Auto 45-65°C, Intensive 70°C, Express 60°C, Silence 50°C, Favourite, Machine Care	Eco 50°C, Auto 45-65°C, Intensive 70°C, Express 65°C, Silence 50°C, Favourite, Machine Care	Eco 50°C, Auto 45-65°C, Intensive 70°C, Express 65°C, Silence 50°C, Favourite, Machine Care
Additional special options	Remote Start, Extra Dry, Half Load, SpeedPerfect+	Remote Start, Efficient Dry, Half Load, SpeedPerfect+	Remote Start, Efficient Dry, Half Load, SpeedPerfect+
TECHNICAL SPECIFICATIONS			
Reference programme for measurements	Eco 50°C	Eco 50°C	Eco 50°C
Energy efficiency class ¹	B	C	C
Energy ² / water ³ : kWh / litres	65 / 9	75 / 9	74 / 9
Load capacity (place settings)	14	14	13
Programme duration ⁴ : h:min	3:35	3:20	3:20
Noise level: dB (A) re 1 pW	40	40	40
Noise efficiency class	B	B	B
Noise level (silence programme): dB (A) re 1 pW	39	39	39
Length of electrical supply cord (cm)	175	175	175
Length inlet / outlet hose (cm)	165 / 190	165 / 190	165 / 190
Maximum height for installation (mm)	875	875	875
Maximum height adjustability feet (mm)	60	60	60
Maximum width for installation (mm)	600	600	600
Width / Depth of the product (mm)	598 / 550	598 / 550	598 / 550
Net weight / Gross weight (kg)	46 / 48	35 / 37	34 / 36
Water softener ⁵	●	●	●
Maximum accepted water hardness (°DH)	50	50	50
Maximum temperature for water intake (°C)	60	60	60
Interior cavity	Stainless steel	Stainless steel	Stainless steel
Included accessories	Steam protection strip	Steam protection strip	Steam protection strip

● Yes, model has this feature - No, model does not have this feature
¹ On an energy-efficiency class scale from A to G
² Energy consumption in kWh/100 operating cycles (using Eco programme)
³ Water consumption in litres/operating cycle (using Eco programme)
⁴ Duration of Eco programme
⁵ We would recommend our dishwashers are connected to the mains water supply where possible. However, they may also be connected to an external water softener as long as the water softener produces softened water of less than 1.1 mmol/litre (7.0°e) and the water softener in the appliance is turned off. Please contact product advice for further information. Water pressure required: 0.5-10 Bar. Flow rate: 10 litres per minute. Inlet valve connected directly to ¾" screwed joint.
Data valid in this table as of April 2025. Subject to modification without prior notice.

⁵ 5 year warranty - Offer dates 01.04.25 - 31.03.26. T&C's apply. Online registration required. Selected models only.



TYPE	FULLY INTEGRATED 60CM		
DESIGN FAMILY	SERIES 4	SERIES 4	SERIES 4
MODEL	SBH4HVX00G	SMH4HVX00G	SMV4HVX00G
Control panel colour	Stainless steel	Stainless steel	Stainless steel
Height (cm) / Hinge type	86.5 / Vario Hinge	81.5 / Vario Hinge	81.5 / Fixed
DESIGN FEATURES			
Drying system	Heat exchanger	Heat exchanger	Heat exchanger
Home Connect	●	●	●
Control panel type	Push buttons + LED	Push buttons + LED	Push buttons + LED
Basket description	Vario Flex	Vario Flex	Vario Flex
Vario Drawer	Vario Drawer	Vario Drawer	Vario Drawer
Extra Clean Zone	-	-	-
Status indicator	Info Light (Red)	Info Light (Red)	Info Light (Red)
Door open assist	-	-	-
Glass care technology	●	●	●
Anti-slip protection / stemware support upper basket	-/-	-/-	-/-
Adjustable upper basket	3-stage Rackmatic™	3-stage Rackmatic™	3-stage Rackmatic™
Number of flip times in upper / lower basket	2 / 4	2 / 4	2 / 4
Cup shelves upper / lower baskets	2 / -	2 / -	2 / -
Cutlery holder lower basket	-	-	-
Largest loadable dish upper / lower basket (cm)	23 / 33	21 / 30	21 / 30
Aqua sensor	●	●	●
Real-time clock	-	-	-
Start delay time max hours	24	24	24
Emotion light (interior lighting)	-	-	-
End of cycle indicator	Acoustic	Acoustic	Acoustic
Salt / Rinse aid light indicator	● / ●	● / ●	● / ●
Self cleaning filter system	●	●	●
Flood protection system	Aqua Stop 24h	Aqua Stop 24h	Aqua Stop 24h
Safety features	Door lock	Door lock	Door lock
PROGRAMMES / FUNCTIONS			
List of programmes	Eco 50°C, Auto 45-65°C, Intensive 70°C, Express 65°C, Glass 40°C, Favourite, Machine Care	Eco 50°C, Auto 45-65°C, Intensive 70°C, Express 65°C, Glass 40°C, Favourite, Machine Care	Eco 50°C, Auto 45-65°C, Intensive 70°C, Express 65°C, Glass 40°C, Favourite, Machine Care
Additional special options	Remote Start, Extra Dry, Half Load, SpeedPerfect+	Remote Start, Extra Dry, Half Load, SpeedPerfect+	Remote Start, Extra Dry, Half Load, SpeedPerfect+

TECHNICAL SPECIFICATIONS	SERIES 4	SERIES 4	SERIES 4
Reference programme for measurements	Eco 50°C	Eco 50°C	Eco 50°C
Energy efficiency class ¹			
Energy ² / water ³ : kWh / litres	85 / 9	85 / 9	84 / 9
Load capacity (place settings)	14	14	14
Programme duration ⁴ : h:min	4:30	4:30	4:30
Noise level: dB (A) re 1 pW	46	46	46
Noise efficiency class	C	C	C
Noise level (silence programme): dB (A) re 1 pW	-	-	-
Length of electrical supply cord (cm)	175	175	175
Length inlet / outlet hose (cm)	165 / 190	165 / 190	165 / 190
Maximum height for installation (mm)	925	875	875
Maximum height adjustability feet (mm)	60	60	60
Maximum width for installation (mm)	600	600	600
Width / Depth of the product (mm)	598 / 550	598 / 550	598 / 550
Net weight / Gross weight (kg)	35 / 39	35 / 39	33 / 37
Water softener ⁵	●	●	●
Maximum accepted water hardness (°DH)	50	50	50
Maximum temperature for water intake (°C)	60	60	60
Interior cavity	Stainless steel / Polinox base	Stainless steel / Polinox base	Stainless steel / Polinox base
Included accessories	Steam protection strip	Steam protection strip	Steam protection strip

● Yes, model has this feature - No, model does not have this feature
¹ On an energy-efficiency class scale from A to G
² Energy consumption in kWh/100 operating cycles (using Eco programme)
³ Water consumption in litres/operating cycle (using Eco programme)
⁴ Duration of Eco programme
⁵ We would recommend our dishwashers are connected to the mains water supply where possible. However, they may also be connected to an external water softener as long as the water softener produces softened water of less than 1.1 mmol/litre (7.0°e) and the water softener in the appliance is turned off. Please contact product advice for further information. Water pressure required: 0.5-10 Bar. Flow rate: 10 litres per minute. Inlet valve connected directly to ¾" screwed joint.

Data valid in this table as of April 2025. Subject to modification without prior notice.
⁵ 5 year warranty - Offer dates 01.04.25 – 31.03.26. T&C's apply. Online registration required. Selected models only.

TYPE	FULLY INTEGRATED 60CM		
DESIGN FAMILY	SERIES 4	SERIES 4	SERIES 2
MODEL	SMV4HTX00G	SMH4HTX02G	SMV2HTX02G
Control panel colour	Stainless steel	Stainless steel	Black
Height (cm) / Hinge type	81.5 / Fixed	81.5 / Vario Hinge	81.5 / Fixed
DESIGN FEATURES			
Drying system	Heat exchanger	Heat exchanger	Heat exchanger
Home Connect	●	●	●
Control panel type	Push buttons + LED	Push buttons + LED	Toggle control + LED
Basket description	Vario Flex	Vario	Normal
Vario Drawer	-	-	-
Extra Clean Zone	-	-	-
Status indicator	Info Light (Red)	Info Light (Red)	Info Light (Red)
Door open assist	-	-	-
Glass care technology	●	●	●
Anti-slip protection / stemware support upper basket	-/-	-/-	-/-
Adjustable upper basket	3-stage Rackmatic™	Adjustable when empty	-
Number of flip times in upper / lower basket	2 / 4	- / 2	-
Cup shelves upper / lower baskets	2 / -	2 / -	2 / -
Cutlery holder lower basket	●	●	●
Largest loadable dish upper / lower basket (cm)	27 / 30	27 / 30	22 / 30
Aqua sensor	●	●	●
Real-time clock	-	-	-
Start delay time max hours	24	24	9
Emotion light (interior lighting)	-	-	-
End of cycle indicator	Acoustic	Acoustic	Acoustic
Salt / Rinse aid light indicator	● / ●	● / ●	● / ●
Self cleaning filter system	●	●	●
Flood protection system	Aqua Stop 24h	Aqua Stop 24h	Aqua Stop 24h
Safety features	Door lock	Door lock	Door lock
PROGRAMMES / FUNCTIONS			
List of programmes	Eco 50°C, Auto 45-65°C, Intensive 70°C, Express 65°C, Glass 40°C, Favourite, Machine Care	Eco 50°C, Auto 45-65°C, Intensive 70°C, Express 65°C, Glass 40°C, Favourite, Machine Care	Eco 50°C, Auto 45-65°C, Intensive 70°C, Express 65°C, Favourite, Machine Care
Additional special options	Remote Start, Extra Dry, Half Load, SpeedPerfect+	Remote Start, Extra Dry, Half Load, SpeedPerfect+	Remote Start, Extra Dry, Half Load, SpeedPerfect+

TECHNICAL SPECIFICATIONS	SERIES 4	SERIES 4	SERIES 2
Reference programme for measurements	Eco 50°C	Eco 50°C	Eco 50°C
Energy efficiency class ¹			
Energy ² / water ³ : kWh / litres	84 / 9	84 / 9	84 / 9
Load capacity (place settings)	13	13	13
Programme duration ⁴ : h:min	4:30	4:30	4:30
Noise level: dB (A) re 1 pW	46	46	46
Noise efficiency class	C	C	C
Noise level (silence programme): dB (A) re 1 pW	-	-	-
Length of electrical supply cord (cm)	175	175	175
Length inlet / outlet hose (cm)	165 / 190	165 / 190	165 / 190
Maximum height for installation (mm)	875	875	875
Maximum height adjustability feet (mm)	60	60	60
Maximum width for installation (mm)	600	600	600
Width / Depth of the product (mm)	598 / 550	598 / 550	598 / 550
Net weight / Gross weight (kg)	32 / 36	33 / 35	30 / 33
Water softener ⁵	●	●	●
Maximum accepted water hardness (°DH)	50	50	50
Maximum temperature for water intake (°C)	60	60	60
Interior cavity	Stainless steel / Polinox base	Stainless steel / Polinox base	Stainless steel / Polinox base
Included accessories	Steam protection strip	Steam protection strip	Steam protection strip

● Yes, model has this feature - No, model does not have this feature
¹ On an energy-efficiency class scale from A to G
² Energy consumption in kWh/100 operating cycles (using Eco programme)
³ Water consumption in litres/operating cycle (using Eco programme)
⁴ Duration of Eco programme
⁵ We would recommend our dishwashers are connected to the mains water supply where possible. However, they may also be connected to an external water softener as long as the water softener produces softened water of less than 1.1 mmol/litre (7.0°e) and the water softener in the appliance is turned off. Please contact product advice for further information. Water pressure required: 0.5-10 Bar. Flow rate: 10 litres per minute. Inlet valve connected directly to ¾" screwed joint.

Data valid in this table as of April 2025. Subject to modification without prior notice.
⁵ 5 year warranty - Offer dates 01.04.25 – 31.03.26. T&C's apply. Online registration required. Selected models only.

60cm dishwashers



TYPE	SEMI INTEGRATED 60CM	SEMI INTEGRATED 60CM
DESIGN FAMILY	SERIES 2	SERIES 2
MODEL	SMI2HTS02G	SMI2HTB02G
Control panel	Stainless Steel	Black
Height (cm) / Hinge type	81.5 / Fixed	81.5 / Fixed
DESIGN FEATURES		
Drying system	Heat exchanger	Heat exchanger
Home Connect	●	●
Control panel type	Toggle control + LED	Toggle control + LED
Basket description	Vario	Vario
Vario Drawer	-	-
Extra Clean Zone	-	-
Status indicator	-	-
Door open assist	-	-
Glass care technology	●	●
Anti-slip protection / stemware support upper basket	-/-	-/-
Adjustable upper basket	Adjustable when empty	Adjustable when empty
Number of flip tines in upper / lower basket	-/2	-/2
Cup shelves upper / lower baskets	2/-	2/-
Cutlery holder lower basket	●	●
Largest loadable dish upper / lower basket (cm)	27 / 30	27 / 30
Aqua sensor	●	●
Real-time clock	-	-
Start delay time max hours	24	24
Emotion light (interior lighting)	-	-
End of cycle indicator	-	-
Salt / Rinse aid light indicator	●/●	●/●
Self cleaning filter system	●	●
Flood protection system	Aqua Stop 24h	Aqua Stop 24h
Safety features	Control panel lock / door lock	Control panel lock / door lock
PROGRAMMES / FUNCTIONS		
List of programmes	Eco 50°C, Auto 45-65°C, Intensive 70°C, Express 65°C, Favourite, Machine Care	Eco 50°C, Auto 45-65°C, Intensive 70°C, Express 65°C, Favourite, Machine Care
Additional operational options	Remote Start, Extra Dry, Half Load	Remote Start, Extra Dry, Half Load
TECHNICAL SPECIFICATIONS		
Reference programme for measurements	Eco 50°C	Eco 50°C
Energy efficiency class ¹		
Energy ² / water ³ : kWh / litres	84 / 9	84 / 9
Load capacity (place settings)	13	13
Programme duration ⁴ : h:min	4:30	4:30
Noise level: dB (A) re 1 pW	46	46
Noise efficiency class	C	C
Noise level (silence programme): dB (A) re 1 pW	-	-
Length of electrical supply cord (cm)	175	175
Length inlet / outlet hose (cm)	165 / 190	165 / 190
Maximum height for installation (mm)	875	875
Maximum height adjustability feet (mm)	60	60
Maximum width for installation (mm)	600	600
Width / Depth of the product (mm)	598 / 573	598 / 573
Net weight / Gross weight (kg)	31 / 34	31 / 34
Water softener ⁵	●	●
Maximum accepted water hardness (°DH)	50	50
Maximum temperature for water intake (°C)	60	60
Interior cavity	Stainless steel / Polinox base	Stainless steel / Polinox base
Included accessories	Steam protection strip	Steam protection strip

● Yes, model has this feature - No, model does not have this feature

¹ On an energy-efficiency class scale from A to G

² Energy consumption in kWh/100 operating cycles (using Eco programme)

³ Water consumption in litres/operating cycle (using Eco programme)

⁴ Duration of Eco programme

⁵ We would recommend our dishwashers are connected to the mains water supply where possible. However, they may also be connected to an external water softener as long as the water softener produces softened water of less than 1.1 mmol/litre (7.0°e) and the water softener in the appliance is turned off. Please contact product advice for further information. Water pressure required: 0.5-10 Bar. Flow rate: 10 litres per minute. Inlet valve connected directly to ¾" screwed joint.

Data valid in this table as of April 2025. Subject to modification without prior notice.

⁵ year warranty - Offer dates 01.04.25 – 31.03.26. T&C's apply. Online registration required. Selected models only.

45cm & compact dishwashers



TYPE	FULLY INTEGRATED 45CM	FULLY INTEGRATED 45CM
DESIGN FAMILY	SERIES 4	SERIES 2
MODEL	SPV4EMX25G	SPV2HKX42G
Control panel	Stainless steel	Black
Height (cm) / Hinge type	81.5 / Fixed	81.5 / Fixed
DESIGN FEATURES		
Drying system	Efficient Dry / Heat exchanger	Heat exchanger
Home Connect	●	●
Control panel type	Push buttons + LED	Toggle control + LED
Basket description	Vario Flex	Vario
Vario Drawer	Vario Drawer	-
Extra Clean Zone	-	-
Status indicator	Time Light (White)	Info Light (Red)
Door open assist	-	-
Glass care technology	●	●
Anti-slip protection / stemware support upper basket	●/-	-/-
Adjustable upper basket	3-stage Rackmatic™	Adjustable when empty
Number of flip tines in upper / lower basket	2 / 2	-/2
Cup shelves upper / lower baskets	1 / 1	2 / -
Cutlery holder lower basket	-	●
Largest loadable dish upper / lower basket (cm)	21 / 30	27 / 30
Aqua sensor	●	●
Real-time clock	-	-
Start delay time max hours	24	9
Emotion light (interior lighting)	-	-
End of cycle indicator	Acoustic	Acoustic
Salt / Rinse aid light indicator	●/●	●/●
Self cleaning filter system	●	●
Flood protection system	Aqua Stop 24h	Aqua Stop 24h
Safety features	Door lock	Door lock
PROGRAMMES / FUNCTIONS		
List of programmes	Eco 50°C, Auto 45-65°C, Intensive 70°C, Express 65°C, Silence 50°C, Favourite, Machine Care	Eco 50°C, Auto 45-65°C, Intensive 70°C, Express 65°C, Favourite, Machine Care
Additional operational options	Remote Start, Efficient Dry, Intensive Zone, SpeedPerfect+	Remote Start, Extra Dry, SpeedPerfect+
TECHNICAL SPECIFICATIONS		
Reference programme for measurements	Eco 50°C	Eco 50°C
Energy efficiency class ¹		
Energy ² / water ³ : kWh / litres	59 / 8.9	76 / 8.9
Load capacity (place settings)	10	10
Programme duration ⁴ : h:min	3:15	3:40
Noise level: dB (A) re 1 pW	44	46
Noise efficiency class	B	C
Noise level (silence programme): dB (A) re 1 pW	42	-
Length of electrical supply cord (cm)	175	175
Length inlet / outlet hose (cm)	165 / 205	165 / 205
Maximum height for installation (mm)	875	875
Maximum height adjustability feet (mm)	60	60
Maximum width for installation (mm)	450	450
Width / Depth of the product (mm)	448 / 550	448 / 550
Net weight / Gross weight (kg)	31 / 32	31 / 32
Water softener ⁵	●	●
Maximum accepted water hardness (°DH)	50	35
Maximum temperature for water intake (°C)	60	60
Interior cavity	Stainless steel	Stainless steel
Included accessories	Steam protection strip	Steam protection strip

● Yes, model has this feature - No, model does not have this feature

¹ On an energy-efficiency class scale from A to G

² Energy consumption in kWh/100 operating cycles (using Eco programme)

³ Water consumption in litres/operating cycle (using Eco programme)

⁴ Duration of Eco programme

⁵ We would recommend our dishwashers are connected to the mains water supply where possible. However, they may also be connected to an external water softener as long as the water softener produces softened water of less than 1.1 mmol/litre (7.0°e) and the water softener in the appliance is turned off. Please contact product advice for further information. Water pressure required: 0.5-10 Bar. Flow rate: 10 litres per minute. Inlet valve connected directly to ¾" screwed joint.

Data valid in this table as of April 2025. Subject to modification without prior notice.

⁵ year warranty - Offer dates 01.04.25 – 31.03.26. T&C's apply. Online registration required. Selected models only.

Installation tips

Dishwashers

Integrated dishwashers

Energy and water-efficient with outstanding performance, Bosch integrated dishwashers quietly do all the hard work for you behind closed doors. These models can be built under a worktop or sink drainer, between two units or at the end of a run of units. A furniture door is mounted on the appliance door so that the dishwasher is indistinguishable from other kitchen cabinets. Choose from full size 60cm wide, or slimline 45cm wide.

Built-in dimensions (60m wide)

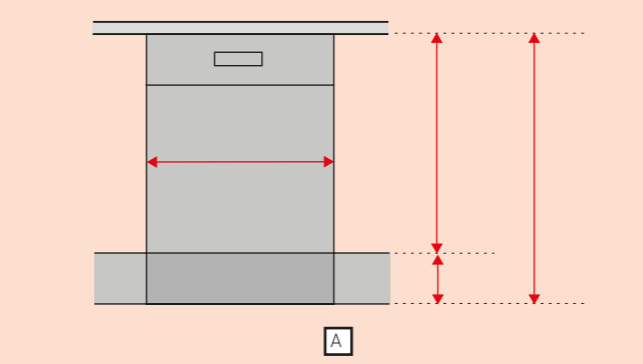
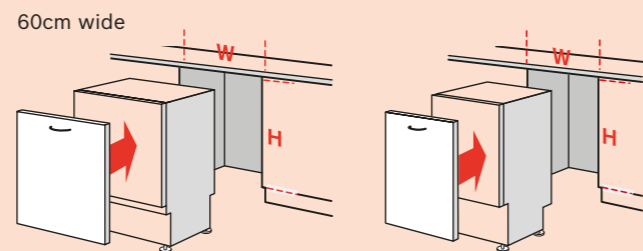
If you have a recess height of 81.5 – 87.5cm, plan for an 81cm dishwasher. The appliance's feet may be screwed out to a total height of 87.5cm. Or, if you have a recess height of 86.5 – 92.5cm plan for an 86cm dishwasher. The appliance's feet screw out to a total height of 92.5cm.

Quick checklist

Type

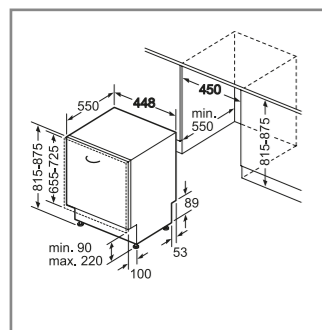
Fully integrated dishwasher

- 60cm wide
- 45cm wide

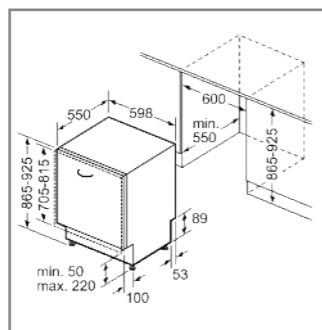


Built-in dishwasher technical diagrams

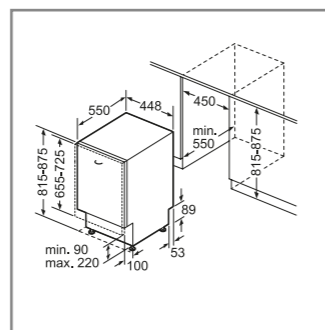
Fully integrated and slimline dishwashers



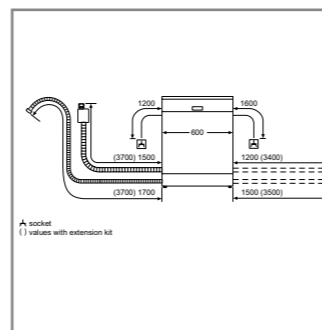
Fully integrated dishwashers



SBH4HVX00G (extra height)



45cm dishwashers



All 60cm dishwasher connection dimensions

Built-in dishwasher accessories

DESCRIPTION	Accessory Nr.	SMD8YCX03G	SMD6YCX01G	SMD6ZCX60G	SMV4ECX23G	SMV4EAX23G	SBH4HVX00G	SMH4HVX00G
Split door furniture front connection rails – For full size and slimline models	SGZ8BI00	•	•	•	•	•	•	•
Decor strip - For 60cm and 45cm Stainless Steel base models, 81.5cm height	SGZ0BI01	•	•	•	•	•	•	•
Decor strip - For 60cm Polinox base models, 81.5cm height	SGZ0BI02	•	•	•	•	•	•	•
Decor strip - For 60cm Stainless Steel base models installed off the ground, 81.5cm height	SMZ5035	•	•	•	•	•	•	•
Decor strip - For full size Stainless Steel base models, 86.5cm height	SGZ0BI11	•	•	•	•	•	•	•
Decor strip - For full size Stainless Steel base models installed off the ground, 86.5cm height	SMZ5045	•	•	•	•	•	•	•

DESCRIPTION	Accessory Nr.	SMV4HVX00G	SMV4HTX00G	SMV6ZCX10G	SMH4HTX02G	SMV2HTX02G	SMV2ITX18G	SPV4EMX25G	SPV2HX42G
Split door furniture front connection rails – For full size and slimline models	SGZ8BI00	•	•	•	•	•	•	•	•
Decor strip - For 60cm and 45cm Stainless Steel base models, 81.5cm height	SGZ0BI01	•	•	•	•	•	•	•	•
Decor strip - For 60cm Polinox base models, 81.5cm height	SGZ0BI02	•	•	•	•	•	•	•	•
Decor strip - For 60cm Stainless Steel base models installed off the ground, 81.5cm height	SMZ5035	•	•	•	•	•	•	•	•
Decor strip - For full size Stainless Steel base models, 86.5cm height	SGZ0BI11	•	•	•	•	•	•	•	•
Decor strip - For full size Stainless Steel base models installed off the ground, 86.5cm height	SMZ5045	•	•	•	•	•	•	•	•

All diagram measurements are in millimetres (mm)

We try to keep up to date with constant technological improvements, so from time to time we may update installation guidelines. Therefore we strongly recommend that you download the latest installation guidelines from www.bosch-home.co.uk. Line drawings are for guidance only, and we recommend that you refer to the latest installation guidelines. Though every care is taken to ensure instructions are correct at the time of printing, Bosch cannot accept responsibility for incorrect planning or installation as a result of the use of these line drawings.

Freestanding dishwasher accessories

DISHCARE ACCESSORIES

Cutlery basket (60cm dishwashers)		Cutlery basket (45cm & Compacts)	
Model	SMZ5100	Model	SPZ5100
Hose extension (2m inlet and outlet hose extension)		Wine Glass Holder (Compatible with Bosch Vario Flex, Max Flex and Max Flex Pro basket systems)	
Model	SGZ1010	Model	SMZ5300
Silverware holder cassette (to prevent contamination from other metals)		Vario Drawer	
Model	SMZ5002	Model	SGZ6DX03

Freestanding dishwasher accessories

DESCRIPTION	Accessory Nr.	SMS6TCI01G	SMS6TCW01G	SMS6ZCI10G	SMS6ZCW10G	SMS4EMI06G	SMS4EMW06G
Inlet and outlet hose extension	SGZ1010	•	•	•	•	•	•
Silver polishing cassette - 60cm dishwashers	SMZ5002	•	•	•	•	•	•
Vario cutlery basket - 45cm dishwashers	SPZ5100	•	•	•	•	•	•
Vario cutlery basket - 60cm dishwashers	SMZ5100	•	•	•	•	•	•
Vario drawer - 60cm dishwashers	SGZ6DX03	•	•	•	•	•	•
Wine glass holder accessory (Glass secure tray)	SMZ5300	•	•	•	•	•	•

DESCRIPTION	Accessory Nr.	SMS4EKI06G	SMS4EKW06G	SMS2HVI67G	SMS2HVV67G	SMS2IT41G	SMS2ITW41G	SMS26AI08G
Inlet and outlet hose extension	SGZ1010	•	•	•	•	•	•	•
Silver polishing cassette - 60cm dishwashers	SMZ5002	•	•	•	•	•	•	•
Vario cutlery basket - 45cm dishwashers	SPZ5100	•	•	•	•	•	•	•
Vario cutlery basket - 60cm dishwashers	SMZ5100	•	•	•	•	•	•	•
Vario drawer - 60cm dishwashers	SGZ6DX03	•	•	•	•	•	•	•
Wine glass holder accessory (Glass secure tray)	SMZ5300	•	•	•	•	•	•	•

DESCRIPTION	Accessory Nr.	SMS26AW08G	SMS2ITW08G	SPS4HMI49G	SPS4HMM49G	SPS2IKW01G	SKS62E32EU
Inlet and outlet hose extension	SGZ1010	•	•	•	•	•	•
Silver polishing cassette - 60cm dishwashers	SMZ5002	•	•	•	•	•	•
Vario cutlery basket - 45cm dishwashers	SPZ5100	•	•	•	•	•	•
Vario cutlery basket - 60cm dishwashers	SMZ5100	•	•	•	•	•	•
Vario drawer - 60cm dishwashers	SGZ6DX03	•	•	•	•	•	•
Wine glass holder accessory (Glass secure tray)	SMZ5300	•	•	•	•	•	•

Introducing the Bosch refrigeration range

Save more, waste less. Our range of freestanding fridge freezers are packed with innovative technologies to keep your food fresh for longer, so you'll throw out less and save on your weekly shopping bill.

To help you choose the right appliance, we have divided them into the four ranges below.

Series 8

Cutting-edge design meets advanced technologies. All models in our **Series 8** range are packed with features that save valuable time, effort and money – perfect for modern, busy households.

Series 4

All models in our **Series 4** range combine practical features with Bosch build quality.

Series 6

Our **Series 6** range of appliances combines efficient performance with convenient storage and superior food preservation.

Series 2

Built for optimal food storage, the **Series 2** refrigeration range is just as practical as it is value for money.



Model shown: KIN86VSE0G

Lock in the freshness.

TO FIND OUT MORE ABOUT OUR BOSCH REFRIGERATION RANGE, PLEASE SCAN THE QR CODE BELOW:



Easy-to-clean magnetic door seals

The magnetic door seals on all of our refrigeration ranges are **removable**, making them easy to clean and/or replace when necessary.

Refrigeration functions explained.

Check model for available functions.



No Frost
Never defrost again, thanks to perfect protection from ice formation that saves time and effort.



Low Frost
Defrost less often thanks to lower ice formation, saving work and energy.



Big Box
An extra-deep frozen food drawer makes stacking frozen food containers or large frozen items like a Christmas turkey or pizza boxes easier.



Multi Box
Transparent drawer with wave bottom, ideal for the storage of fruit and vegetables.



Super Cool
Activating the Super Cool function before you go shopping lowers the temperature for a short period, so your fresh shopping is kept at the optimum conditions.



Super Freeze
The Super Freeze function temporarily lowers the temperature in the freezer for when you have new shopping to load in, protecting both new and existing food.



Safety Glass
Strong glass shelves ensure heavier items can be stored safely.



Easy Shelf Access
The shatterproof, frameless glass shelves are particularly easy to use, thanks to the smooth pull-out mechanism. And they also give you a clear view of your food at any time.



Multi Airflow
The fan-assisted Multi Airflow System causes gentle, even currents of cold air to emerge at all levels of the chilling and freezing area. Temperature fluctuations are minimised and cooling times are reduced.

VitaFresh

With **VitaFresh**, you'll be able to store your fruit and vegetables safely to lock in the freshness. And with an adjustable humidity setting on the drawer, you'll be keeping your fresh food in a perfectly controlled environment.

There are two drawer solutions; you'll either find one big drawer for fish and meat or two drawers, one for fish and one for meat. All with a temperature regulating slider, which lets you adjust the temperature up to 4°C lower than the rest of the fridge.

VitaFresh^{plus}

The **Series 6** fridge freezers help you to live healthier. They not only offer you plenty of room for fresh foods, drinks and even big pots and bowls, but also the technology to store them optimally.

The **VitaFresh plus** freshness system guarantees ideal storage conditions at any time and ensures that fish, meat, fruit and vegetables stay fresh for longer. This makes our Series 6 fridge freezer not only optimal for your food, but also for yourself.

VitaFresh plus models have the added benefit of a convenient push button for humidity control.

VitaFresh^{pro}

Selected **Series 8** fridges feature our best freshness system **VitaFresh pro**. It keeps food fresh for longer with temperatures from -1°C to +3°C while maintaining the perfect humidity level.

This combination of temperature and humidity helps you to protect all the aromas, essential nutrients and valuable vitamins in your fresh food. Hence, it's easier than ever to maintain a healthy diet with fresh fruit and vegetables every day.



TO FIND OUT MORE ABOUT OUR BOSCH MULTI DOOR FRIDGE FREEZER RANGE, PLEASE SCAN THE QR CODE BELOW:

Sleek, stunning design, best-in-class freshness system, XXL fridge capacity for effortless organisation and innovative features that are designed to keep your food fresh for longer.

Model shown: KFF96PIEP

Choosing the right model for your needs.



Model shown: KFI96APEAG

- 2 door**
- ✓ **Classic side by side design:** easy to store and access your shopping
 - ✓ **Multi Airflow:** innovative technology that ensures equal temperature throughout the fridge cavity
 - ✓ **No Frost:** no more defrosting!
 - ✓ **External ice and water dispenser:** ice-cold water at the touch of a button



Model shown: KFF96PIEP

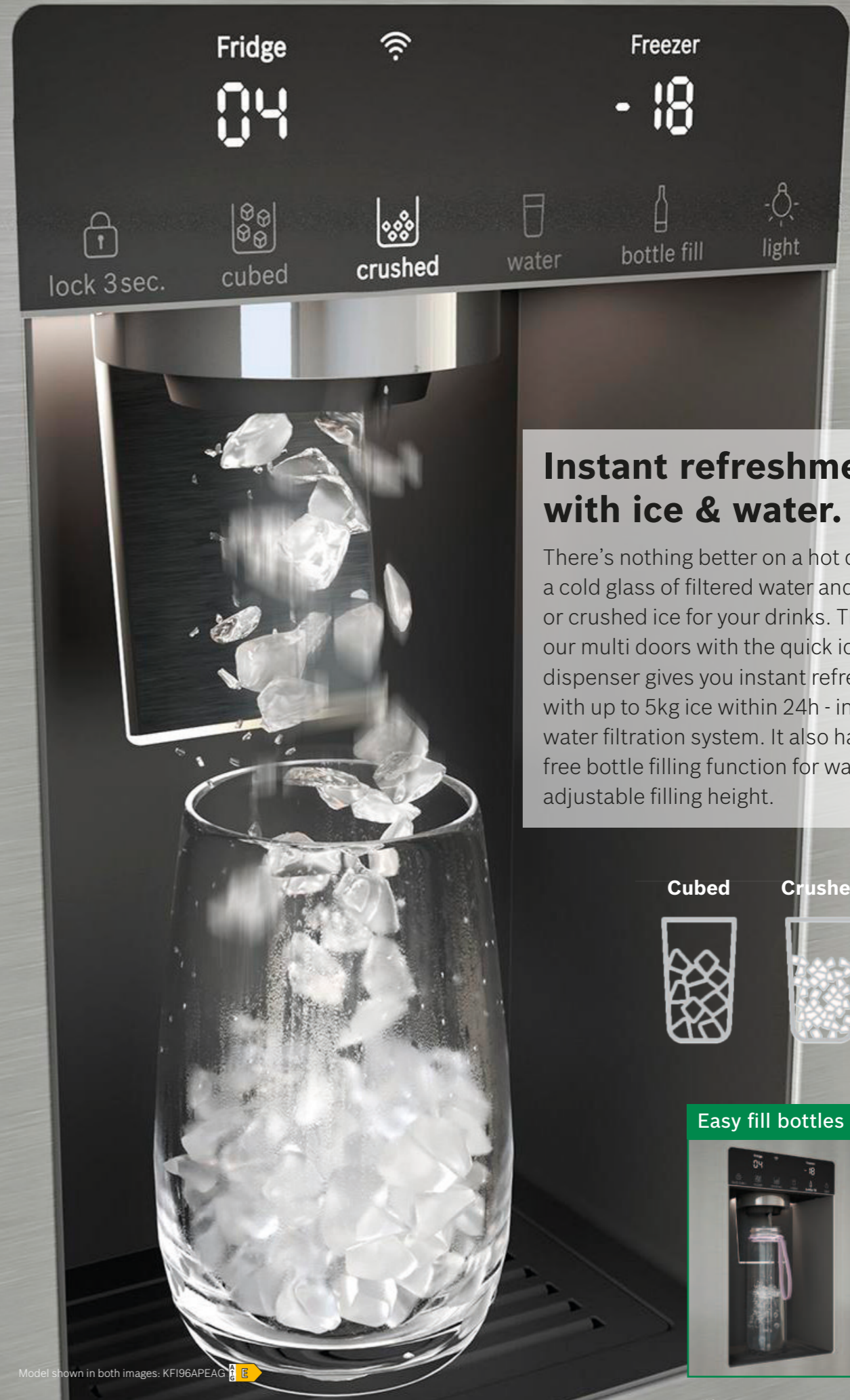
- 3 door**
- ✓ **Wide not deep:** by halving the door size, you can get a big capacity without the door cutting into your kitchen walkway
 - ✓ **VitaFresh pro:** to keep your fruit and veg fresh for longer
 - ✓ **Effortless Access:** designed with 3 doors to give you easy access
 - ✓ **Internal Water Dispenser:** keeps the appliance exterior looking seamless
 - ✓ **Automatic Ice Cube Maker:** instant ice for those hot summer days



Model shown: KFN96APEA

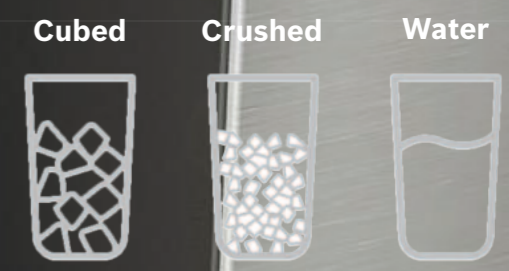
- 4 door**
- ✓ **XXL capacity:** easily store your weekly shop
 - ✓ **VitaFresh technology:** keep your fruit and veg fresh for longer
 - ✓ **No Frost:** no more defrosting!
 - ✓ **Super storage:** the freezer cavity comes with two No Frost Big Boxes – ideal for stacking meal prep containers

Explore more at [bosch-home.co.uk](https://www.bosch-home.co.uk) / [bosch-home.ie](https://www.bosch-home.ie)



Instant refreshment with ice & water.

There's nothing better on a hot day than a cold glass of filtered water and cubed or crushed ice for your drinks. That's why our multi doors with the quick ice & water dispenser gives you instant refreshment with up to 5kg ice within 24h - including a water filtration system. It also has a hands-free bottle filling function for water with adjustable filling height.



Easy fill bottles



Model shown in both images: KFI96APEAG

Making life easy through innovative technologies



TYPE	FRENCH	MULTI DOOR	MULTI DOOR
DESIGN FAMILY	SERIES 8	SERIES 6	SERIES 6
MODEL	KFF96PIEP	KFN96APEAG	KFD96APEA
Colour of door panels	Brushed steel anti-fingerprint	Brushed steel anti-fingerprint	Brushed steel anti-fingerprint
Colour of sides	Chrome Inox-Metallic	Chrome Inox-Metallic	Chrome Inox-Metallic
Style of handle	Horizontal & vertical bar handle	Horizontal & vertical integrated handle	Horizontal & vertical integrated handle
Colour of handle	Stainless steel	Black	Black
Low Frost / No Frost	No Frost	No Frost	No Frost
Home Connect	•	•	•
FOOD FRESHNESS SYSTEM			
VitaFresh	2 x VitaFresh drawers	2 x VitaFresh drawers	2 x VitaFresh drawers
KEY FEATURES – FRIDGE SECTION			
Product highlights	LED	LED	LED
Super Cool function	•	•	•
Type of control	Electronic	Electronic	Electronic
Number of shelves	4	4	5
Number of adjustable shelves	4	3	4
Bottle shelves in fridge	•	-	•
Number of door bins / shelves	6	5	5
Temperature display	Digital	Digital	Digital
Warning signal door open	•	•	•
KEY FEATURES – FREEZER SECTION			
Super Freeze function	•	•	•
Temperature adjustable in freezer	•	•	•
Number of ice cube trays	Automatic ice cube maker	1	Automatic ice cube maker
Ice dispenser features	Crushed ice, ice cubes, water, water filter	-	Crushed ice, ice cubes, water, water filter
Number of freezer drawers	3	6	5
ADDITIONAL INFORMATION			
Energy efficiency class			
Energy consumption ¹ (kWh/annum)	333	333	327
Total net capacity (litres)	573	605	574
Refrigerator net capacity (litres)	402	405	375
Freezer net capacity (litres)	171	200	199
Climate class ²	SN-T	SN-T	SN-T
Noise level dB(A) re 1 pW	39dB	38dB	39dB
Noise level class	C	C	C
Sabbath Mode	•	•	•
Additional accessories included	1 x connection hose	-	1 x connection hose
Height of product (mm)	1830	1830	1830
Width of product (mm)	905	905	905
Depth of product (mm)	706	731	731

• = yes - = no
¹ Actual energy consumption will depend on how the appliance is used and where it is located
² Climate zone SN = designed to operate in ambient temperatures of +10°C to 32°C
 Climate zone T = designed to operate in ambient temperatures of +18°C to 43°C

*5 year warranty - Offer dates 01.04.25 – 31.03.26. T&C's apply. Online registration required. Selected models only.

MULTI DOOR	MULTI DOOR	AMERICAN
SERIES 6	SERIES 4	SERIES 6
KFI96APEAG	KFN96VPEAG	KAD93AIERG
Colour of door panels	Brushed steel anti-fingerprint	Brushed steel anti-fingerprint
Colour of sides	Chrome Inox-Metallic	Chrome Inox-Metallic
Style of handle	Horizontal & vertical integrated handle	Horizontal & vertical integrated handle
Colour of handle	Black	Black
Low Frost / No Frost	No Frost	No Frost
Home Connect	•	•
FOOD FRESHNESS SYSTEM		
VitaFresh	2 x VitaFresh drawers	2 x Multi Box drawers
KEY FEATURES – FRIDGE SECTION		
Product highlights	LED	LED
Super Cool function	•	•
Type of control	Electronic	Electronic
Number of shelves	5	3
Number of adjustable shelves	4	2
Bottle shelves in fridge	•	•
Number of door bins / shelves	5	5
Temperature display	Digital	Digital
Warning signal door open	•	•
KEY FEATURES – FREEZER SECTION		
Super Freeze function	•	•
Temperature adjustable in freezer	•	•
Number of ice cube trays	Automatic ice cube maker	1
Ice dispenser features	Crushed ice, ice cubes, water, water filter	-
Number of freezer drawers	6	2
ADDITIONAL INFORMATION		
Energy efficiency class		
Energy consumption ¹ (kWh/annum)	333	333
Total net capacity (litres)	605	605
Refrigerator net capacity (litres)	405	405
Freezer net capacity (litres)	200	200
Climate class ²	SN-T	SN-T
Noise level dB(A) re 1 pW	38dB	38dB
Noise level class	C	C
Sabbath Mode	•	•
Additional accessories included	1 x connection hose	-
Height of product (mm)	1830	1830
Width of product (mm)	905	905
Depth of product (mm)	731	731

• = yes - = no
¹ Actual energy consumption will depend on how the appliance is used and where it is located
² Climate zone SN = designed to operate in ambient temperatures of +10°C to 32°C
 Climate zone T = designed to operate in ambient temperatures of +18°C to 43°C

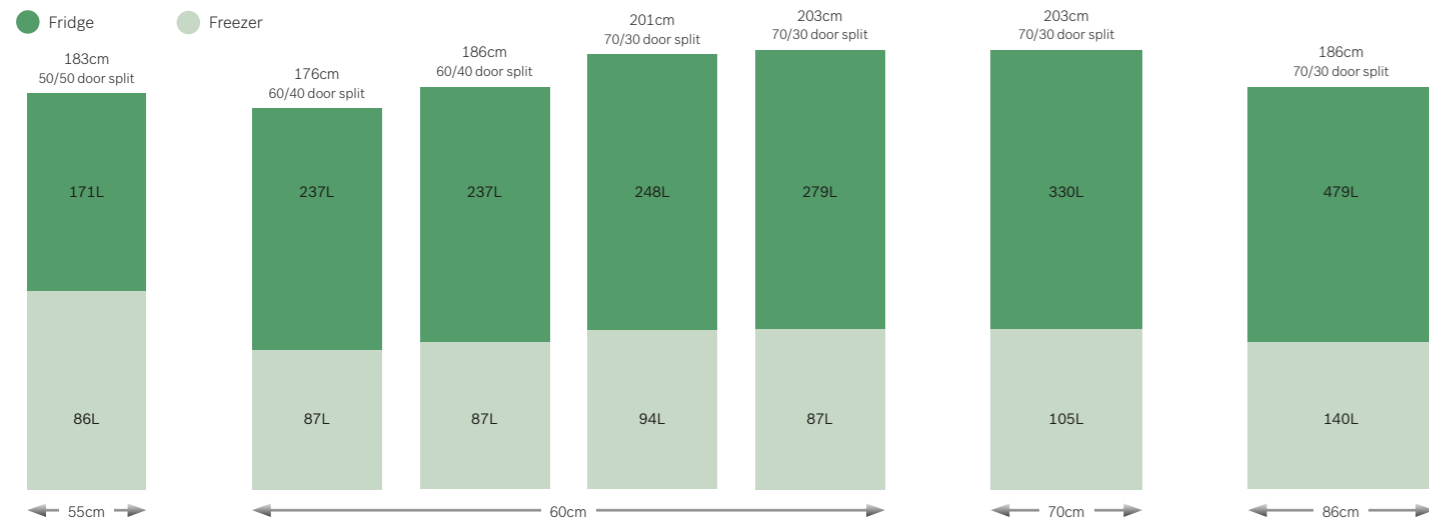
*5 year warranty - Offer dates 01.04.25 – 31.03.26. T&C's apply. Online registration required. Selected models only.

Freestanding single-door cooling

Select the right fridge freezer for you.

Height, width and fridge freezer split.

Our fridge freezer options are tailored to suit every household's needs, so you can ensure that you choose the right appliance for your family. For those who shop little and often, try a smaller capacity fridge and freezer which doesn't impact on space. If you have a busy household and do a full weekly shop, a spacious 70/30 fridge freezer would be ideal.



Controlling your appliance.

Across the range of cooling appliances, there are different ways you can control the temperature inside your fridge freezer. Below are the different variations:



Exterior touch control (digital control)



Interior LED button control



Interior LED button (freezer only)

Fridge freezer split shown for illustrative purposes. Check the product specifications for specific fridge freezer splits.

The XXL fridge freezers. Keep more, waste less.

The Bosch XXL fridge freezers are extra-large, providing much more space for your food. Designed for convenience, they feature fully flexible safety glass shelves with a smooth pull-out mechanism ensuring effortless usability and organisation.

Across the range of 70cm-wide and 86cm-wide, models include a **Big Box** freezer drawer, for the practical stacking of frozen food containers or large frozen items and the **VitaFresh** function which ensures food is kept fresh for longer – thanks to extra low temperatures for fish and meat, and adjustable humidity for fruit and vegetables.



Anti fingerprint
Your appliance will stay finger print free and looking clean and fresh.



Explore more at [bosch-home.co.uk](https://www.bosch-home.co.uk) / [bosch-home.ie](https://www.bosch-home.ie)

No Frost fridge freezers



TYPE	FRIDGE FREEZER	FRIDGE FREEZER	FRIDGE FREEZER
DESIGN FAMILY	SERIES 8	SERIES 4	SERIES 4
MODEL	KGP86AXB0N	KGN86VIEAG	KGN492LDFG
DESIGN FEATURES			
Colour of door panels	Brushed black steel anti-fingerprint	Metal look	Metal look
Colour of sides	Cast iron	Pearl grey	Pearl grey
Style of handle	Integrated vertical handle	Integrated vertical handle	Integrated vertical handle
Colour of handle	Stainless steel	Stainless steel	Stainless steel
Low Frost / No Frost	No Frost	No Frost	No Frost
Home Connect	-	-	-
FOOD FRESHNESS SYSTEM			
VitaFresh	4 x VitaFresh drawers	4 x VitaFresh drawers	2 x VitaFresh drawers
KEY FEATURES – FRIDGE SECTION			
Light	LED	LED	LED
Super Cool function	•	•	•
Type of control	Electronic	Electronic	Electronic
Number of shelves	3	3	5
Number of adjustable shelves	2	2	3
Number of door bins / shelves	6	6	4
Type of shelves	Safety glass	Safety glass	Safety glass
Temperature display	Digital LED	Digital LED	Digital LED
Warning signal door open	•	•	•
Bottle shelves in fridge	•	•	•
KEY FEATURES – FREEZER SECTION			
Super Freeze function	•	•	•
Temperature adjustable in freezer	•	•	•
Number of ice cube trays	2	2	1
Number of freezer drawers	3	2	3
ADDITIONAL INFORMATION			
Energy efficiency class	A B	A E	A D
Energy consumption* (kWh/annum)	172	307	223
Total unit net capacity (litres)	621	631	440
Freezer net capacity (litres)	202	152	129
Climate Class ²	SN-T	SN-T	SN-T
Noise level (dB(A) re 1 pW)	35dB	40dB	35dB
Noise level class	B	C	B
Sabbath Mode	-	-	•
Additional accessories included	2 x ice cube tray, 1 x two wave plastic bottle rack	2 x Ice cube tray, 1 x bottle support	1 x Ice cube tray, 1 x bottle support
Height of product (mm)	1860	1860	2030
Width of product (mm)	860	860	700
Depth of product (mm)	810	810	667

• = yes - = no

*Actual energy consumption will depend on how the appliance is used and where it is located.

²Climate zone SN = designed to operate in ambient temperatures of +10°C to 32°C.

Climate zone T = designed to operate in ambient temperatures of +18°C to 43°C.

*5 year warranty - Offer dates 01.04.25 - 31.03.26. T&C's apply. Online registration required. Selected models only.

For full specification details, please log onto our website and download a full specification sheet.



TYPE	FRIDGE FREEZER	FRIDGE FREEZER	FRIDGE FREEZER
DESIGN FAMILY	SERIES 4	SERIES 4	SERIES 6
MODEL	KGN392LAFG	KGN39VXBT	KGN39AWCTG
DESIGN FEATURES			
Colour of door panels	Metal look	Brushed black steel anti-fingerprint	White
Colour of sides	Pearl grey	Cast iron	White
Style of handle	Integrated vertical handle	Vertical bar handle	Vertical bar handle
Colour of handle	Stainless steel	Black Inox	White
Low Frost / No Frost	No Frost	No Frost	No Frost
Home Connect	-	-	-
FOOD FRESHNESS SYSTEM			
VitaFresh	2 x VitaFresh drawers	2 x VitaFresh drawers	2 x VitaFresh drawers
KEY FEATURES – FRIDGE SECTION			
Light	LED	LED	LED
Super Cool function	●	●	●
Type of control	Electronic	Electronic	Electronic
Number of shelves	5	5	5
Number of adjustable shelves	3	3	3
Number of door bins / shelves	4	4	4
Type of shelves	Safety glass	Safety glass	Safety glass
Temperature display	Digital LED	Digital LED	Digital LED
Warning signal door open	●	●	●
Bottle shelves in fridge	●	●	●
KEY FEATURES – FREEZER SECTION			
Super Freeze function	●	●	●
Temperature adjustable in freezer	●	●	●
Number of ice cube trays	1	1	1
Number of freezer drawers	3	3	3
ADDITIONAL INFORMATION			
Energy efficiency class	A	B	C
Energy consumption ¹ (kWh/annum)	104	129	162
Total unit net capacity (litres)	363	363	363
Freezer net capacity (litres)	103	103	103
Climate Class ²	SN-T	SN-T	SN-T
Noise level (dB(A) re 1 pW)	29dB	33dB	35dB
Noise level class	A	B	B
Sabbath Mode	●	●	●
Additional accessories included	1 x Ice cube tray, 1 x bottle support	1 x Ice cube tray, 1 x bottle support	1 x Ice cube tray, 1 x bottle support
Height of product (mm)	2030	2030	2030
Width of product (mm)	600	600	600
Depth of product (mm)	667	665	665

● = yes - = no
¹Actual energy consumption will depend on how the appliance is used and where it is located.
²Climate zone SN = designed to operate in ambient temperatures of +10°C to 32°C.
 Climate zone T = designed to operate in ambient temperatures of +18°C to 43°C.
³5 year warranty - Offer dates 01.04.25 – 31.03.26. T&C's apply. Online registration required. Selected models only.

TYPE	FRIDGE FREEZER	FRIDGE FREEZER	FRIDGE FREEZER
DESIGN FAMILY	SERIES 4	SERIES 4	SERIES 4
MODEL	KGN392LDFG	KGN392WDFG	KGN392LEBG
DESIGN FEATURES			
Colour of door panels	Metal look	White	Metal look
Colour of sides	Pearl grey	White	Pearl grey
Style of handle	Integrated vertical handle	Integrated vertical handle	Integrated vertical handle
Colour of handle	Stainless steel	White	Inox
Low Frost / No Frost	No Frost	No Frost	No Frost
Home Connect	-	-	-
FOOD FRESHNESS SYSTEM			
VitaFresh	2 x VitaFresh drawers	2 x VitaFresh drawers	2 x VitaFresh drawers
KEY FEATURES – FRIDGE SECTION			
Light	LED	LED	LED
Super Cool function	●	●	●
Type of control	Electronic	Electronic	Electronic
Number of shelves	5	5	5
Number of adjustable shelves	3	3	3
Number of door bins / shelves	4	4	4
Type of shelves	Safety glass	Safety glass	Safety glass
Temperature display	Digital LED	Digital LED	Digital LED
Warning signal door open	●	●	●
Bottle shelves in fridge	●	●	-
KEY FEATURES – FREEZER SECTION			
Super Freeze function	●	●	●
Temperature adjustable in freezer	●	●	●
Number of ice cube trays	1	1	1
Number of freezer drawers	3	3	3
ADDITIONAL INFORMATION			
Energy efficiency class	D	D	E
Energy consumption ¹ (kWh/annum)	203	203	238
Total unit net capacity (litres)	363	363	366
Freezer net capacity (litres)	103	103	110
Climate Class ²	SN-T	SN-T	SN-T
Noise level (dB(A) re 1 pW)	35dB	35dB	39dB
Noise level class	B	B	C
Sabbath Mode	●	●	-
Additional accessories included	1 x Ice cube tray, 1 x bottle support	1 x Ice cube tray, 1 x bottle support	1 x Ice cube tray
Height of product (mm)	2030	2030	2030
Width of product (mm)	600	600	600
Depth of product (mm)	665	665	660

● = yes - = no
¹Actual energy consumption will depend on how the appliance is used and where it is located.
²Climate zone SN = designed to operate in ambient temperatures of +10°C to 32°C.
 Climate zone T = designed to operate in ambient temperatures of +18°C to 43°C.
³5 year warranty - Offer dates 01.04.25 – 31.03.26. T&C's apply. Online registration required. Selected models only.

No Frost fridge freezers



TYPE	FRIDGE FREEZER	FRIDGE FREEZER	FRIDGE FREEZER	FRIDGE FREEZER
DESIGN FAMILY	SERIES 4	SERIES 4	SERIES 4	SERIES 4
MODEL	KGN392WEBG	KGN392LBFG	KGN362LDFG	KGN362WDFG
DESIGN FEATURES				
Colour of door panels	White	Metal look	Metal look	White
Colour of sides	White	Pearl grey	Pearl grey	White
Style of handle	Integrated vertical handle	Integrated vertical handle	Integrated vertical handle	Integrated vertical handle
Colour of handle	White	Stainless steel	Stainless steel	White
No Frost in fridge and freezer	No Frost	No Frost	No Frost	No Frost
Home Connect	-	-	-	-
FOOD FRESHNESS SYSTEM				
VitaFresh	2 x VitaFresh drawers	2 x VitaFresh drawers	2 x VitaFresh drawers	2 x VitaFresh drawers
KEY FEATURES – FRIDGE SECTION				
Light	LED	LED	LED	LED
Super Cool function	●	●	●	●
Type of control	Electronic	Electronic	Electronic	Electronic
Number of shelves	5	5	4	4
Number of adjustable shelves	3	3	2	2
Number of door bins / shelves	4	4	3	3
Type of shelves	Safety glass	Safety glass	Safety glass	Safety glass
Temperature display	Digital LED	Digital LED	Digital LED	Digital LED
Warning signal door open	●	●	●	●
Bottle shelves in fridge	-	●	●	●
KEY FEATURES – FREEZER SECTION				
Super Freeze function	●	●	●	●
Temperature adjustable in freezer	●	●	●	●
Number of ice cube trays	1	1	1	1
Number of freezer drawers	3	3	3	3
ADDITIONAL INFORMATION				
Energy efficiency class	A E	A B	A D	A D
Energy consumption ¹ (kWh/annum)	238	129	199	199
Total unit net capacity (litres)	366	363	321	321
Freezer net capacity (litres)	110	103	103	103
Climate Class ²	SN-T	SN-T	SN-T	SN-T
Noise level (dB(A) re 1 pW)	39dB	33dB	35dB	35dB
Noise level class	C	B	B	B
Sabbath Mode	-	●	●	●
Additional accessories included	1 x Ice cube tray	1 x Ice cube tray, 1 x bottle support	1 x Ice cube tray, 1 x bottle support	1 x Ice cube tray, 1 x bottle support
Height of product (mm)	2030	2030	1860	1860
Width of product (mm)	600	600	600	600
Depth of product (mm)	660	665	665	665

● = yes - = no
¹Actual energy consumption will depend on how the appliance is used and where it is located.
²Climate zone SN = designed to operate in ambient temperatures of +10°C to 32°C.
 Climate zone T = designed to operate in ambient temperatures of +18°C to 43°C.
 *5 year warranty - Offer dates 01.04.25 – 31.03.26. T&C's apply. Online registration required. Selected models only.

TYPE	FRIDGE FREEZER	FRIDGE FREEZER	FRIDGE FREEZER	FRIDGE FREEZER
DESIGN FAMILY	SERIES 2	SERIES 2	SERIES 2	SERIES 2
MODEL	KGN36NWEAG	KGN34NLEAG	KGN34NWEAG	KGN33NLEBG
DESIGN FEATURES				
Colour of door panels	White	Metal look	White	Metal look
Colour of sides	White	Pearl grey	White	Silver
Style of handle	Integrated horizontal handle	Integrated horizontal handle	Integrated horizontal handle	Integrated horizontal handle
Colour of handle	White	White	White	Inox
No Frost in fridge and freezer	No Frost	No Frost	No Frost	No Frost
Home Connect	-	-	-	-
FOOD FRESHNESS SYSTEM				
VitaFresh	2 x MultiBox drawer	1 x MultiBox drawer	1 x MultiBox drawer	1 x MultiBox drawer
KEY FEATURES – FRIDGE SECTION				
Light	LED	LED	LED	LED
Super Cool function	-	-	-	-
Type of control	Dial/Electronic	Dial/Electronic	Dial/Electronic	Dial/Electronic
Number of shelves	4	4	4	3
Number of adjustable shelves	3	3	3	2
Number of door bins / shelves	4	4	4	3
Type of shelves	Safety glass	Safety glass	Safety glass	Safety glass
Temperature display	Digital LED	Digital LED	Digital LED	Digital LED
Warning signal door open	●	●	●	●
Bottle shelves in fridge	-	-	-	-
KEY FEATURES – FREEZER SECTION				
Super Freeze function	●	●	●	●
Temperature adjustable in freezer	●	●	●	●
Number of ice cube trays	-	-	-	-
Number of freezer drawers	3	3	3	3
ADDITIONAL INFORMATION				
Energy efficiency class	A E	A E	A E	A E
Energy consumption ¹ (kWh/annum)	239	239	239	237
Total unit net capacity (litres)	305	305	305	282
Freezer net capacity (litres)	89	89	89	89
Climate Class ²	SN-T	SN-T	SN-T	SN-T
Noise level (dB(A) re 1 pW)	42dB	42dB	42dB	42dB
Noise level class	D	D	D	D
Sabbath Mode	-	-	-	-
Additional accessories included	-	-	-	-
Height of product (mm)	1860	1860	1860	1760
Width of product (mm)	600	600	600	600
Depth of product (mm)	660	660	660	660

● = yes - = no
¹Actual energy consumption will depend on how the appliance is used and where it is located.
²Climate zone SN = designed to operate in ambient temperatures of +10°C to 32°C.
 Climate zone T = designed to operate in ambient temperatures of +18°C to 43°C.
 *5 year warranty - Offer dates 01.04.25 – 31.03.26. T&C's apply. Online registration required. Selected models only.

For full specification details, please log onto our website and download a full specification sheet.

For full specification details, please log onto our website and download a full specification sheet.

Explore more at [bosch-home.co.uk](https://www.bosch-home.co.uk) / [bosch-home.ie](https://www.bosch-home.ie)

Making **life easy** through innovative technologies

No Frost fridge freezers



TYPE	FRIDGE FREEZER	FRIDGE FREEZER	FRIDGE FREEZER	FRIDGE FREEZER
DESIGN FAMILY	SERIES 2	SERIES 2	SERIES 2	SERIES 2
MODEL	KGN33NWEBG	KGN27NBEAG	KGN27NLEAG	KGN27NWEAG
DESIGN FEATURES				
Colour of door panels	White	Black	Metal look	White
Colour of sides	White	Black	Grey	White
Style of handle	Integrated horizontal handle	Integrated vertical handle	Integrated vertical handle	Integrated vertical handle
Colour of handle	Inox	Black	Stainless steel	White
No Frost in fridge and freezer	No Frost	No Frost	No Frost	No Frost
Home Connect	-	-	-	-
FOOD FRESHNESS SYSTEM				
VitaFresh	1 x MultiBox drawer	1 x MultiBox drawer	1 x MultiBox drawer	1 x MultiBox drawer
KEY FEATURES – FRIDGE SECTION				
Light	LED	LED	LED	LED
Super Cool function	-	-	-	-
Type of control	Dial/Electronic	Dial	Dial	Dial
Number of shelves	3	3	3	3
Number of adjustable shelves	2	2	2	2
Number of door bins / shelves	3	3	3	3
Type of shelves	Safety glass	Safety glass	Safety glass	Safety glass
Temperature display	Digital LED	Digital LED	Digital LED	Digital LED
Warning signal door open	●	-	-	-
Bottle shelves in fridge	-	●	●	●
KEY FEATURES – FREEZER SECTION				
Super Freeze function	●	-	-	-
Temperature adjustable in freezer	●	-	-	-
Number of ice cube trays	-	1	1	1
Number of freezer drawers	3	4	4	4
ADDITIONAL INFORMATION				
Energy efficiency class	A E	A E	A E	A E
Energy consumption ¹ (kWh/annum)	237	229	229	229
Total unit net capacity (litres)	282	255	255	255
Freezer net capacity (litres)	89	84	84	84
Climate Class ²	SN-T	SN-ST	SN-ST	SN-ST
Noise level (dB(A) re 1 pW)	42dB	41dB	41dB	41dB
Noise level class	D	C	C	C
Sabbath Mode	-	-	-	-
Additional accessories included	-	1 x Ice cube tray, 1 x bottle support	1 x Ice cube tray, 1 x bottle support	1 x Ice cube tray, 1 x bottle support
Height of product (mm)	1760	1824	1824	1824
Width of product (mm)	600	550	550	550
Depth of product (mm)	660	557	557	557

● = yes - = no
¹Actual energy consumption will depend on how the appliance is used and where it is located.
²Climate zone SN = designed to operate in ambient temperatures of +10°C to 32°C.
 Climate zone T = designed to operate in ambient temperatures of +18°C to 43°C.
 *5 year warranty - Offer dates 01.04.25 – 31.03.26. T&C's apply. Online registration required. Selected models only.

For full specification details, please log onto our website and download a full specification sheet.

Explore more at [bosch-home.co.uk](https://www.bosch-home.co.uk) / [bosch-home.ie](https://www.bosch-home.ie)

Low Frost fridge freezers



TYPE	FRIDGE FREEZER	FRIDGE FREEZER	FRIDGE FREEZER	FRIDGE FREEZER
DESIGN FAMILY	SERIES 6	SERIES 6	SERIES 4	SERIES 4
MODEL	KGE49AICAG	KGE49AWCAG	KGV33VLEAG	KGV33GWEAG
DESIGN FEATURES				
Colour of door panels	Metal look	White	Metal look	White
Colour of sides	Silver Inox	White	Pearl grey	White
Style of handle	Integrated vertical handle	Integrated vertical handle	Integrated vertical handle	Integrated vertical handle
Colour of handle	Stainless steel	White	Pearl grey	White
Low Frost / No Frost	Low Frost	Low Frost	Low Frost	Low Frost
Home Connect	-	-	-	-
FOOD FRESHNESS SYSTEM				
VitaFresh	2 x VitaFresh drawers	2 x VitaFresh drawers	1 x VitaFresh drawer	1 x VitaFresh drawer
KEY FEATURES – FRIDGE SECTION				
Light	LED	LED	LED	LED
Super Cool function	●	●	-	-
Type of control	Electronic	Electronic	Electronic	Electronic
Number of shelves	5	5	4	4
Number of adjustable shelves	2	2	2	2
Number of door bins / shelves	4	4	3	3
Type of shelves	Safety glass	Safety glass	Safety glass	Safety glass
Temperature display	Digital LED	Digital LED	Digital LED	Digital LED
Warning signal door open	●	●	-	-
Bottle shelves in fridge	●	●	-	-
KEY FEATURES – FREEZER SECTION				
Super Freeze function	●	●	●	●
Temperature adjustable in freezer	●	●	-	-
Number of ice cube trays	-	-	1	1
Number of freezer drawers	3	3	3	3
ADDITIONAL INFORMATION				
Energy efficiency class	A C	A C	A E	A E
Energy consumption ¹ (kWh/annum)	163	163	228	228
Total unit net capacity (litres)	419	419	289	289
Freezer net capacity (litres)	117	117	94	94
Climate Class ²	SN-T	SN-T	SN-T	SN-T
Noise level (dB(A) re 1 pW)	38dB	38dB	39dB	39dB
Noise level class	C	C	C	C
Sabbath Mode	-	-	-	-
Additional accessories included	1 x bottle support	1 x bottle support	1 x Ice cube tray, 1 x bottle support	1 x Ice cube tray, 1 x bottle support
Height of product (mm)	2010	2010	1760	1760
Width of product (mm)	700	700	600	600
Depth of product (mm)	650	650	650	650

● = yes - = no
¹Actual energy consumption will depend on how the appliance is used and where it is located.
²Climate zone SN = designed to operate in ambient temperatures of +10°C to 32°C.
 Climate zone T = designed to operate in ambient temperatures of +18°C to 43°C.

For full specification details, please log onto our website and download a full specification sheet.

Making **life easy** through innovative technologies

Fridges & freezers



TYPE	FRIDGE	FRIDGE	FREEZER	FREEZER	FREEZER
DESIGN FAMILY	SERIES 4	SERIES 4	SERIES 4	SERIES 4	SERIES 4
MODEL	KSV36VLEP	KSV36VWEPG	GSN36VWEPG	GSN33VWEPG	GSN29VWEVG
DESIGN FEATURES					
Colour of door panels	Brushed steel anti-fingerprint	White	White	White	White
Colour of sides	Pearl grey	White	White	White	White
Style of handle	Vertical bar handle	Vertical bar handle	Vertical bar handle	Vertical bar handle	Vertical bar handle
Colour of handle	Pearl grey	White	White	White	White
Low Frost / No Frost	Low Frost	Low Frost	No Frost	No Frost	No Frost
Home Connect	-	-	-	-	-
FOOD FRESHNESS SYSTEM					
VitaFresh	1 x VitaFresh drawer	1 x VitaFresh drawer	-	-	-
KEY FEATURES – FRIDGE SECTION					
Light	LED	LED	-	-	-
Super Cool function	●	●	-	-	-
Type of control	Electronic	Electronic	Electronic	Electronic	Electronic
Number of shelves	7	7	-	-	-
Number of adjustable shelves	5	5	-	-	-
Number of door bins / shelves	5	5	-	-	-
Type of shelves	Safety glass	Safety glass	-	-	-
Temperature display	Digital LED	Digital LED	-	-	-
Warning signal door open	-	-	●	●	●
Bottle shelves in fridge	●	●	-	-	-
KEY FEATURES – FREEZER SECTION					
Super Freeze function	-	-	●	●	●
Temperature adjustable in freezer	-	-	●	●	●
Number of ice cube trays	-	-	1	1	1
Number of freezer drawers	-	-	4	4	5
ADDITIONAL INFORMATION					
Energy efficiency class	A G E	A G E	A G E	A G E	A G E
Energy consumption ¹ (kWh/annum)	116	116	234	229	221
Total unit net capacity (litres)	346	346	242	225	200
Freezer net capacity (litres)	-	-	-	-	-
Climate Class ²	SN-T	SN-T	SN-T	SN-T	SN-T
Noise level (dB(A) re 1 pW)	39dB	39dB	39dB	39dB	39dB
Noise level class	C	C	C	C	C
Sabbath Mode	-	-	-	-	-
Additional accessories included	-	1 x Bottle support	1 x ice cube tray	1 x ice cube tray	1 x ice cube tray
Height of product (mm)	1860	1860	1860	1760	1610
Width of product (mm)	600	600	600	600	600
Depth of product (mm)	650	650	650	650	650

● = yes - = no
¹Actual energy consumption will depend on how the appliance is used and where it is located.
²Climate zone SN = designed to operate in ambient temperatures of +10°C to 32°C.
 Climate zone T = designed to operate in ambient temperatures of +18°C to 43°C.
³5 year warranty - Offer dates 01.04.25 – 31.03.26. T&C's apply. Online registration required. Selected models only.

For full specification details, please log onto our website and download a full specification sheet.

Explore more at [bosch-home.co.uk](https://www.bosch-home.co.uk) / [bosch-home.ie](https://www.bosch-home.ie)

Undercounter fridges & freezers



TYPE	UNDERCOUNTER FRIDGE	UNDERCOUNTER FRIDGE	UNDERCOUNTER FREEZER
DESIGN FAMILY	SERIES 2	SERIES 2	SERIES 2
MODEL	KTR15NWEAG	KTL15NWEAG	GTV15NWEBG
DESIGN FEATURES			
Colour of door panels	White	White	White
Colour of sides	White	White	White
Style of handle	Integrated horizontal handle	Integrated horizontal handle	Integrated horizontal handle
Colour of handle	White	White	White
Low Frost / No Frost	-	-	Low Frost
Home Connect	-	-	-
FOOD FRESHNESS SYSTEM			
VitaFresh	1 x MultiBox drawer	1 x MultiBox drawer	-
KEY FEATURES – FRIDGE SECTION			
Light	LED	LED	-
Super Cool function	●	●	-
Type of control	Electronic	Electronic	Electronic
Number of shelves	3	2	-
Number of adjustable shelves	1	1	-
Number of door bins / shelves	3	3	-
Type of shelves	Safety glass	Safety glass	-
Temperature display	Digital LED	Digital LED	-
Warning signal door open	●	●	●
Bottle shelves in fridge	-	-	-
KEY FEATURES – FREEZER SECTION			
Super Freeze function	-	-	●
Temperature adjustable in freezer	-	-	-
Number of ice cube trays	-	-	-
Number of freezer drawers	-	1	-
ADDITIONAL INFORMATION			
Energy efficiency class	A G E	A G E	A G E
Energy consumption ¹ (kWh/annum)	91	139	164
Total unit net capacity (litres)	134	120	83
Freezer net capacity (litres)	-	14	-
Climate Class ²	SN-T	SN-ST	SN-T
Noise level (dB(A) re 1 pW)	39dB	39dB	39dB
Noise level class	C	C	C
Sabbath Mode	-	-	-
Additional accessories included	-	-	-
Height of product (mm)	850	850	850
Width of product (mm)	560	560	560
Depth of product (mm)	580	580	580

● = yes - = no
¹Actual energy consumption will depend on how the appliance is used and where it is located.
²Climate zone SN = designed to operate in ambient temperatures of +10°C to 32°C.
 Climate zone T = designed to operate in ambient temperatures of +18°C to 43°C.

For full specification details, please log onto our website and download a full specification sheet.

Making **life easy** through innovative technologies

Make room for freshness with XL and XXL built-in cooling.

It only takes a little more space in your kitchen to get a lot more space in your fridge. Our new XL models are slightly taller and utilise the additional cavity space in your built-in cabinets, to give you more cooling capacity. If you're looking for even more, our new XXL models are taller and wider, with 45%* more cooling space, meaning up to 123 litres of extra volume! With a larger interior that gives a perfect overview and maximum flexibility of freshness. These models may be larger in size, but that doesn't mean you need to compromise on freshness. These models are still packed with all our innovative cooling solutions.

XL models

193.5cm (H) x 54cm (W)
Capacity: 290L

XXL model

193.5cm (H) x 69.1cm (W)
Capacity: 383L



TYPE	BOTTOM FREEZER	BOTTOM FREEZER	BOTTOM FREEZER
DESIGN FAMILY	SERIES 2	SERIES 4	SERIES 2
MODEL	KBN96NSE1G	KIN96VFD0	KIN96NSE0G
	XXL	XL	XL
Fridge / Freezer split	60 / 40	60 / 40	60 / 40
No Frost	•	•	•
Low Frost or Manual defrost	-	-	-
Soft Close hinge	-	-	-
Type of hinge (reversible)	Sliding hinge	Fixed hinge	Sliding hinge
Home Connect	-	-	-
FOOD FRESHNESS SYSTEM			
VitaFresh	1 x VitaFresh drawer	2 x VitaFresh drawers	1 x MultiBox XXL
KEY FEATURES – FRIDGE SECTION			
Light	LED	LED	LED
Super Cool function	•	•	•
Type of control	Electronic	Electronic	Electronic
Number of shelves	5	4	5
Number of adjustable shelves	4	4	4
Number of door bins / shelves	4	4	4
Type of shelves	Safety glass	Safety glass	Safety glass
Temperature display	Digital LED	Digital LED	Digital LED
Warning signal door open	•	•	•
Bottle shelves in fridge	-	•	-
KEY FEATURES – FREEZER SECTION			
Super Freeze function	•	•	•
Temperature adjustable in freezer	•	-	•
Number of ice cube trays	1	1	1
Number of freezer drawers	3	3	3
ADDITIONAL INFORMATION			
Energy efficiency class			
Energy consumption* (kWh/annum)	256	184	231
Total net capacity (litres)	383	290	290
Refrigerator net capacity (litres)	285	215	215
Freezer net capacity (litres)	98	75	75
Climate class ²	SN-ST	SN-ST	SN-ST
Noise level dB(A) re 1 pW	34dB	34dB	34dB
Noise level class	B	B	B
Sabbath Mode	-	•	•
Additional accessories included	1 x ice cube tray	1 x ice cube tray, 1 x bottle support	1 x ice cube tray, 1 x bottle support
Height of product (mm)	1935	1935	1935
Width of product (mm)	691	558	541
Depth of product (mm)	548	548	548

• = yes - = no
¹ Actual energy consumption will depend on how the appliance is used and where it is located
² Climate zone SN - designed to operate in ambient temperature of +10°C to 32°C
 Climate zone T - designed to operate in ambient temperature of +18°C to 43°C

*5 year warranty - Offer dates 01.04.25 - 31.03.26. T&C's apply. Online registration required. Selected models only.

All models comply with COMMISSION REGULATION (EC) No 1275/2008 with regard to ecodesign requirements for standby and off mode electric power consumption.

Model shown for illustrative purposes

*Comparison between XXL size fridge freezer (KBN96NSE1G) vs. standard size fridge freezer (KIN86NFE0G).

Select the right model for your kitchen.



Built-in fridge freezer

Built-in fridge freezers blend seamlessly into your kitchen cabinets, making it easy to access your chilled food, and still provide plenty of storage for your frozen goods. Select from a variety of options to suit your needs for either larger fridges or freezers.

Built-in fridge

Built-in fridges integrated into your kitchen cabinets. Add to the expanded space you have for keeping your chilled food fresh.

Built-in freezer

Bosch has a wide range of built-in freezers to suit every kitchen size. From tall upright freezers to compact under-counter models, all Bosch freezers are built to maximise storage space and minimise energy consumption.

Built-under fridge and freezer

Our built-under fridges and freezers are ideal for those limited on space within the kitchen. Under-counter cooling solutions will allow you to have easy access to your chilled food, all while being discreetly tucked under your counter.



Hinges to fit in with your kitchen.

Fixed hinge

Fixed hinges allow heavier furniture doors to be fitted to the appliance, ideal for kitchen cabinets made from heavier hard wood. This also allows the door to be open at a wider angle, making the whole fridge cavity easily accessible.



Sliding hinge

Sliding hinges are designed for integrated kitchens and are designed to sit between the appliance and the kitchen furniture, which is secured by a number of brackets. As you open the furniture door, the appliance door also opens, thanks to the series of brackets.



Quietly does it

As there could be many small and larger hands opening and shutting the fridge door, it's nice to know that we've integrated **Soft Closing doors** into many models – so doors don't get left open accidentally.



Explore more at bosch-home.co.uk / bosch-home.ie

Model shown: KIN86VFE0G

TYPE	BOTTOM FREEZER	BOTTOM FREEZER	BOTTOM FREEZER
DESIGN FAMILY	SERIES 4	SERIES 4	SERIES 2
MODEL	KIN86VFE0G	KIN86VSE0G	KIN86NFE0G
Fridge / Freezer split	60 / 40	60 / 40	60 / 40
No Frost	•	•	•
Low Frost or Manual defrost	-	-	-
Soft Close hinge	-	-	-
Type of hinge (reversible)	Fixed hinge	Sliding hinge	Fixed hinge
Home Connect	-	-	-
FOOD FRESHNESS SYSTEM			
VitaFresh	2 x VitaFresh drawers	2 x VitaFresh drawers	1 x MultiBox XXL
KEY FEATURES – FRIDGE SECTION			
Light	LED	LED	LED
Super Cool function	•	•	•
Type of control	Electronic	Electronic	Electronic
Number of shelves	3	3	4
Number of adjustable shelves	3	3	3
Number of door bins / shelves	3	3	3
Type of shelves	Safety glass	Safety glass	Safety glass
Temperature display	Digital LED	Digital LED	Digital LED
Warning signal door open	•	•	•
Bottle shelves in fridge	•	•	•
KEY FEATURES – FREEZER SECTION			
Super Freeze function	-	-	•
Temperature adjustable in freezer	•	•	-
Number of ice cube trays	1	1	1
Number of freezer drawers	3	3	3
ADDITIONAL INFORMATION			
Energy efficiency class			
Energy consumption ¹ (kWh/annum)	234	234	234
Total net capacity (litres)	260	260	260
Refrigerator net capacity (litres)	184	184	184
Freezer net capacity (litres)	76	76	76
Climate class ²	SN-ST	SN-ST	SN-ST
Noise level dB(A) re 1 pW	35dB	35dB	35dB
Noise level class	B	B	B
Sabbath Mode	-	-	-
Additional accessories included	1 x ice cube tray, 1 x bottle support	1 x ice cube tray, 1 x bottle support	1 x ice cube tray
Height of product (mm)	1772	1772	1772
Width of product (mm)	541	541	541
Depth of product (mm)	548	548	548

• = yes - = no

¹ Actual energy consumption will depend on how the appliance is used and where it is located

² Climate zone SN = designed to operate in ambient temperature of +10°C to 32°C

Climate zone T = designed to operate in ambient temperature of +18°C to 43°C

³ 5 year warranty - Offer dates 01.04.25 – 31.03.26. T&C's apply. Online registration required. Selected models only.

All models comply with COMMISSION REGULATION (EC) No 1275/2008 with regard to ecodesign requirements for standby and off mode electric power consumption.

No Frost bottom freezers

Low Frost & static bottom freezers



TYPE	BOTTOM FREEZER	BOTTOM FREEZER	BOTTOM FREEZER
DESIGN FAMILY	SERIES 2	SERIES 2	SERIES 2
MODEL	KIN86NSEOG	KIN85NFE0G	KIN85NSEOG
Fridge / Freezer split	60 / 40	50 / 50	50 / 50
No Frost	●	●	●
Low Frost or Manual defrost	-	-	-
Soft Close hinge	-	-	-
Type of hinge (reversible)	Sliding hinge	Fixed hinge	Sliding hinge
Home Connect	-	-	-
FOOD FRESHNESS SYSTEM			
VitaFresh	1 x MultiBox XXL	1 x MultiBox XXL	1 x MultiBox XXL
KEY FEATURES – FRIDGE SECTION			
Light	LED	LED	LED
Super Cool function	●	●	●
Type of control	Electronic	Electronic	Electronic
Number of shelves	4	3	3
Number of adjustable shelves	3	2	2
Number of door bins / shelves	3	2	2
Type of shelves	Safety glass	Safety glass	Safety glass
Temperature display	Digital LED	Digital LED	Digital LED
Warning signal door open	●	●	●
Bottle shelves in fridge	●	●	●
KEY FEATURES – FREEZER SECTION			
Super Freeze function	●	●	●
Temperature adjustable in freezer	-	-	-
Number of ice cube trays	1	1	1
Number of freezer drawers	3	4	4
ADDITIONAL INFORMATION			
Energy efficiency class			
Energy consumption ¹ (kWh/annum)	234	239	239
Total net capacity (litres)	260	248	248
Refrigerator net capacity (litres)	184	150	150
Freezer net capacity (litres)	76	99	99
Climate class ²	SN-ST	SN-ST	SN-ST
Noise level dB(A) re 1 pW	35dB	39dB	39dB
Noise level class	B	C	C
Sabbath Mode	-	-	-
Additional accessories included	1 x ice cube tray	1 x ice cube tray	1 x ice cube tray
Height of product (mm)	1772	1772	1772
Width of product (mm)	541	541	541
Depth of product (mm)	548	548	548

● = yes - = no
¹ Actual energy consumption will depend on how the appliance is used and where it is located
² Climate zone SN = designed to operate in ambient temperatures of +10°C to 32°C
 Climate zone T = designed to operate in ambient temperatures of +18°C to 43°C

*5 year warranty - Offer dates 01.04.25 – 31.03.26. T&C's apply. Online registration required. Selected models only.

TYPE	BOTTOM FREEZER	BOTTOM FREEZER
DESIGN FAMILY	SERIES 4	SERIES 2
MODEL	KIV86VSE0G	KIV87NSE0G
Fridge / Freezer split	60 / 40	70 / 30
No Frost	-	-
Low Frost or Manual defrost	Low Frost	Low Frost
Soft Close hinge	-	-
Type of hinge (reversible)	Sliding hinge	Sliding hinge
Home Connect	-	-
FOOD FRESHNESS SYSTEM		
VitaFresh	1 x VitaFresh drawer	1 x MultiBox XXL
KEY FEATURES – FRIDGE SECTION		
Light	LED	LED
Super Cool function	-	●
Type of control	Electronic	Electronic
Number of shelves	4	5
Number of adjustable shelves	3	4
Number of door bins / shelves	3	4
Type of shelves	Safety glass	Safety glass
Temperature display	Digital LED	Digital LED
Warning signal door open	●	●
Bottle shelves in fridge	●	-
KEY FEATURES – FREEZER SECTION		
Super Freeze function	●	●
Temperature adjustable in freezer	-	-
Number of ice cube trays	1	1
Number of freezer drawers	3	2
ADDITIONAL INFORMATION		
Energy efficiency class		
Energy consumption ¹ (kWh/annum)	229	216
Total net capacity (litres)	267	270
Refrigerator net capacity (litres)	183	200
Freezer net capacity (litres)	84	70
Climate class ²	SN-ST	SN-ST
Noise level dB(A) re 1 pW	35dB	35dB
Noise level class	C	B
Sabbath Mode	-	-
Additional accessories included	1 x ice cube tray, 1 x bottle support	1 x ice cube tray
Height of product (mm)	1772	1772
Width of product (mm)	541	541
Depth of product (mm)	548	548

● = yes - = no
¹ Actual energy consumption will depend on how the appliance is used and where it is located
² Climate zone SN = designed to operate in ambient temperatures of +10°C to 32°C
 Climate zone T = designed to operate in ambient temperatures of +18°C to 43°C



TYPE	FRIDGE 177CM	FRIDGE 177CM	FREEZER 177CM	FRIDGE 177CM
DESIGN FAMILY	SERIES 6	SERIES 4	SERIES 4	SERIES 2
MODEL	KIR81ADD0G	KIR81VFE0G	GIN81VEE0G	KIR81NSE0G
No Frost	●	-	●	-
Low Frost or Manual defrost	-	●	-	●
Soft Close hinge	●	-	-	-
Type of hinge (reversible)	Fixed hinge	Fixed hinge	Fixed hinge	Sliding hinge
Home Connect	-	-	-	-
FOOD FRESHNESS SYSTEM				
VitaFresh	1 x VitaFresh drawers, 2 x MultiBox XXL	2 x MultiBox XXL	-	2 x MultiBox XXL
KEY FEATURES – FRIDGE SECTION				
Light	LED	LED	-	LED
Super Cool function	●	●	-	●
Type of control	Electronic	Electronic	Electronic	Electronic
Number of shelves	5	6	-	6
Number of adjustable shelves	4	5	-	5
Number of door bins / shelves	5	5	-	5
Type of shelves	Safety glass	Safety glass	-	Safety glass
Temperature display	Digital LED	Digital LED	-	Digital LED
Warning signal door open	●	●	-	●
Bottle shelves in fridge	●	●	-	●
KEY FEATURES – FREEZER SECTION				
Super Freeze function	-	-	●	-
Temperature adjustable in freezer	-	-	●	-
Number of ice cube trays	-	-	1	-
Number of freezer drawers	-	-	5	-
ADDITIONAL INFORMATION				
Energy efficiency class	A D	A E	A E	A E
Energy consumption ¹ (kWh/annum)	91	114	235	114
Total net capacity (litres)	310	310	212	310
Freezer net capacity (litres)	-	-	212	-
Climate class ²	SN-ST	SN-ST	SN-T	SN-ST
Noise level dB(A) re 1 pW	34dB	35dB	35dB	35dB
Noise level class	B	B	B	B
Sabbath Mode	-	-	-	-
Additional accessories included	1 x bottle support	1 x bottle support	1 x ice cube tray	-
Height of product (mm)	1772	1772	1772	1772
Width of product (mm)	558	541	558	541
Depth of product (mm)	548	548	545	548

● = yes - = no
¹ Actual energy consumption will depend on how the appliance is used and where it is located
² Climate zone SN = designed to operate in ambient temperatures of +10°C to 32°C
 Climate zone T = designed to operate in ambient temperatures of +18°C to 43°C

*5 year warranty - Offer dates 01.04.25 – 31.03.26. T&C's apply. Online registration required. Selected models only.

FRIDGE 122CM	FRIDGE 87CM	FREEZER 87CM	BUILT-UNDER FREEZER 82CM	BUILT-UNDER FRIDGE 82CM	BUILT-UNDER FRIDGE 82CM
SERIES 2	SERIES 2	SERIES 6	SERIES 4	SERIES 4	SERIES 4
KIR41NSE0G	KIR21NSE0	GIV21AFE0	GUN21VFE0G	KUL22VFD0G	KUR21VFE0G
-	-	-	●	-	-
●	●	●	-	●	●
-	-	-	-	-	-
Sliding hinge	Sliding hinge	Fixed hinge	Fixed hinge	Fixed hinge	Fixed hinge
-	-	-	●	●	●
FOOD FRESHNESS SYSTEM					
1 x MultiBox XXL	1 x MultiBox XXL	-	-	-	-
KEY FEATURES – FRIDGE SECTION					
LED	LED	-	-	LED	LED
●	●	-	-	●	●
Electronic	Electronic	Electronic	Electronic	Electronic	Electronic
5	3	-	-	2	3
4	2	-	-	2	3
4	2	-	-	2	2
Safety glass	Safety glass	-	-	Safety glass	Safety glass
Digital LED	Digital LED	-	-	Digital LED	Digital LED
●	●	-	-	●	●
-	-	-	-	-	-
KEY FEATURES – FREEZER SECTION					
-	-	●	●	●	-
-	-	●	●	-	-
-	-	1	1	1	-
-	-	3	3	-	-
ADDITIONAL INFORMATION					
A E	A E	A E	A E	A D	A E
101	92	176	189	119	93
204	136	96	85	110	134
-	-	-	85	17	-
SN-ST	SN-ST	SN-T	SN-T	SN-T	SN-T
35dB	35dB	36dB	35dB	35dB	35dB
B	B	C	B	B	B
-	-	-	●	●	●
-	-	1 x ice cube tray	1 x ice cube tray	1 x ice cube tray	-
1221	874	874	820	820	820
541	541	558	598	598	598
548	548	545	548	548	548


● = yes - = no
¹ Actual energy consumption will depend on how the appliance is used and where it is located
² Climate zone SN = designed to operate in ambient temperatures of +10°C to 32°C
 Climate zone T = designed to operate in ambient temperatures of +18°C to 43°C

*5 year warranty - Offer dates 01.04.25 – 31.03.26. T&C's apply. Online registration required. Selected models only.

Your own personal wine cellar

A premium cooling solution providing exceptional cooling capabilities and stylish design to keep your wine collection at the ideal temperature and humidity ensuring the preservation of taste and quality.



- ✓ **Bottle capacity:** 44
- ✓ **2 temperature zones:** ranging from 5°C to 20°C
- ✓ **Oak shelves:** With telescopic rails
- ✓ **Interior LED light bar:** With on/off function for presentation

Model shown: KUW21AHG0G 




TO FIND OUT MORE ABOUT OUR BOSCH WINE COOLER RANGE, PLEASE SCAN THE QR CODE BELOW:



TYPE	BUILT UNDER	BUILT UNDER
DESIGN FAMILY	SERIES 6	SERIES 6
MODEL	KUW21AHG0G	KUW20VHF0G
Colour of door panels	Black	Black
Colour of side panels	Black	Black
Type of glass door	3 glass panels, UV-filtered	3 glass panels, UV-filtered
Door handle type	Vertical bar handle	Vertical bar handle
Temperature display	Interior / Digital LED	Interior / Digital LED
Reversible door, hinged on right	•	•
Home Connect / Built-in cameras	-	-
KEY FEATURES		
Range of temperature (°C)	5 - 20	5 - 20
Temperature zones	2	1
LED light	LED	LED
Number of shelves	5	4
Number of oak shelves	3	3
Number of adjustable shelves	-	-
Presenter shelf and lighting	-	-
Capacity in 0.75l (Bordeaux bottles)	44	21
KEY FEATURES		
Door open warning signal / malfunction	•	•
Child lock	•	•
PERFORMANCE & CONSUMPTION		
Energy efficiency class		
Energy consumption ¹ (kWh/annum)	130	100
Refrigerator net capacity (litres)	120	58
Climate class ²	SN-ST	SN-ST
Noise level dB(A) re 1 pW	38dB	38dB
Noise level class	C	C
Sabbath Mode	-	-
Height of product (mm)	818	818
Width of product (mm)	598	298
Depth of product (mm)	581	567

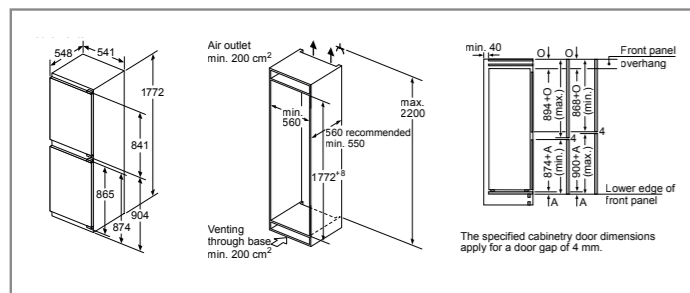
• = yes - = no
¹ Actual energy consumption will depend on how the appliance is used and where it is located
² Climate zone ST = designed to operate in ambient temperature of +16°C to 38°C
 Climate zone SN = designed to operate in ambient temperature of +10°C to 32°C

- ✓ 21 bottle capacity
- ✓ Wooden oak shelves
- ✓ Interior light with on/off function for presentation
- ✓ Reversible hinge

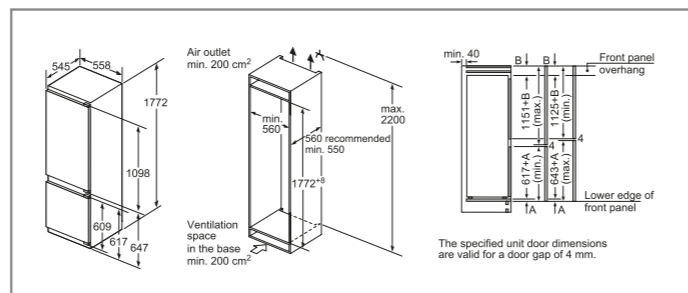
Model shown: KUW20VHF0G 

Integrated cooling technical diagrams

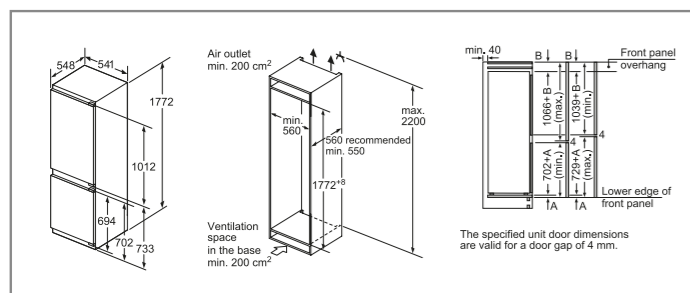
Fridge freezers, fridges and freezers



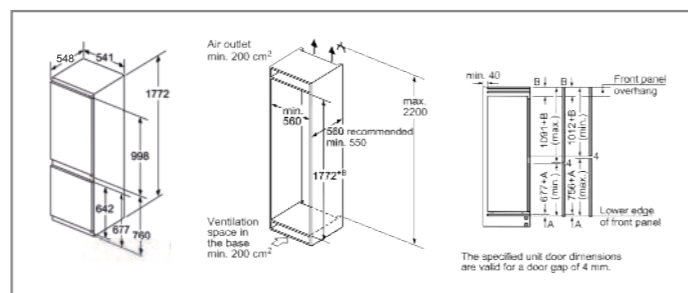
KIN85NFE0G, KIN85NSE0G



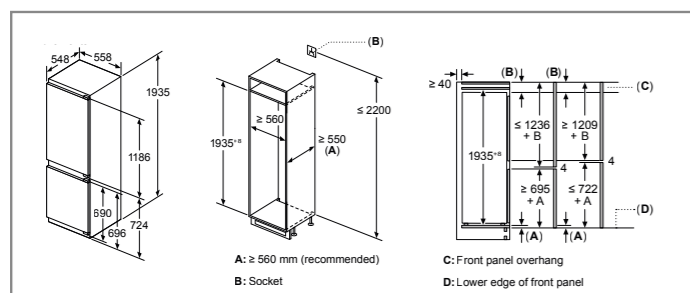
KIV87NSE0G



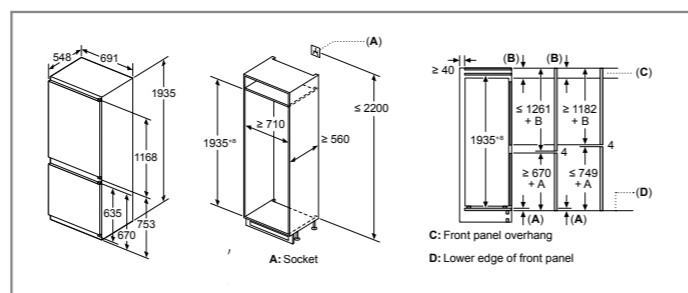
KIN86NFE0G, KIN86VFE0G



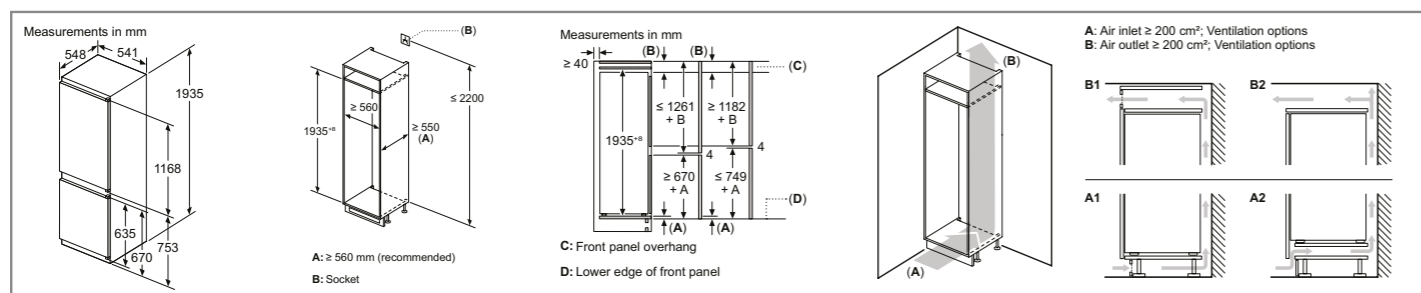
KIV86VSE0G, KIN86VSE0G, KIN86NSE0G



KIN96VFD0



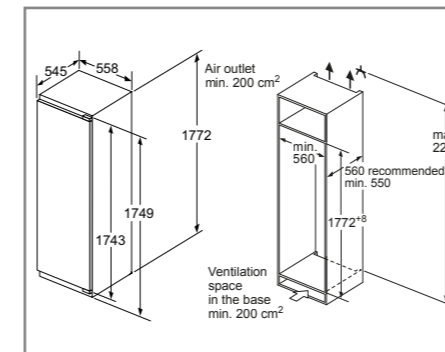
KBN96NSE1G



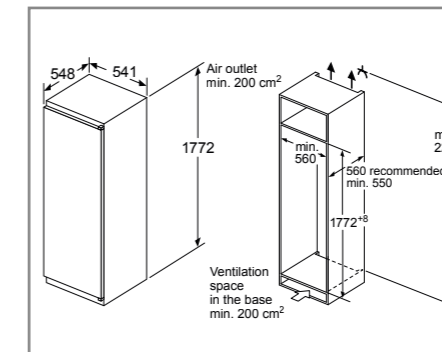
KIN96NSE0

Integrated cooling technical diagrams

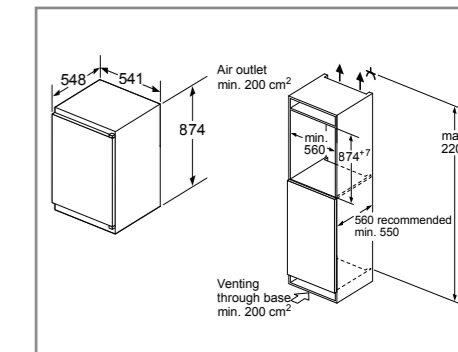
Single door fridges and freezers



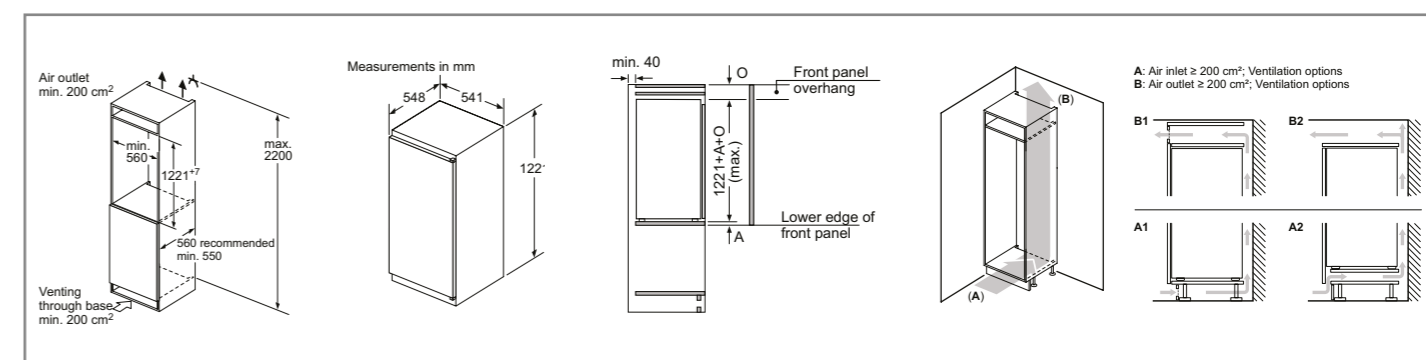
KIR81ADD0G, KIR81VFE0G



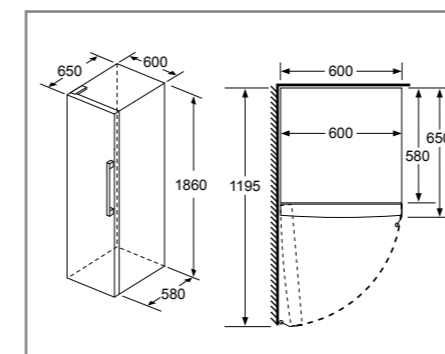
KIR81NSE0G, GIN81VEE0G



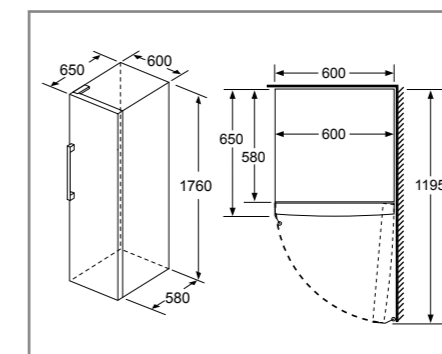
KIR21NSE0G



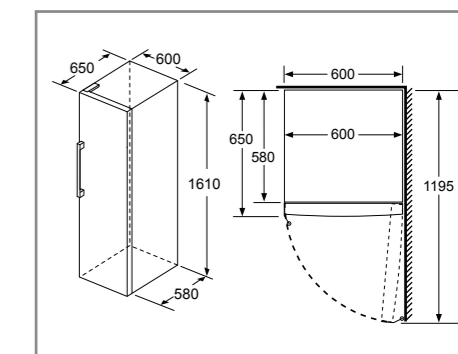
KIR41NSE0G



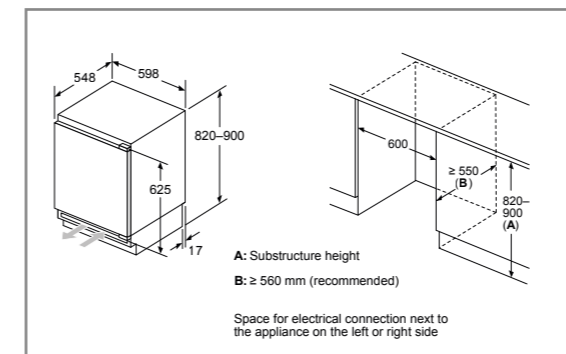
KIN86ADD0, KSV36VWEPG, GSN36VWEPG



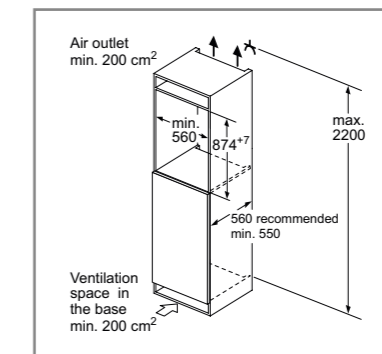
GSN33VWEPG



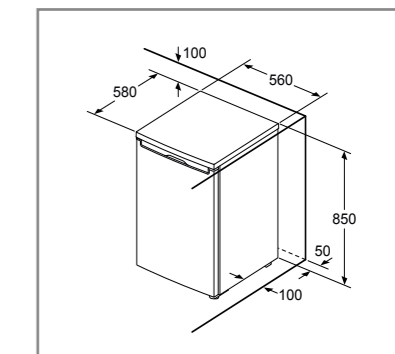
GSN29VWEPG



KUL22VFD0G, KUR21VFE0G, GUN21VFE0G



GIV21AFE0



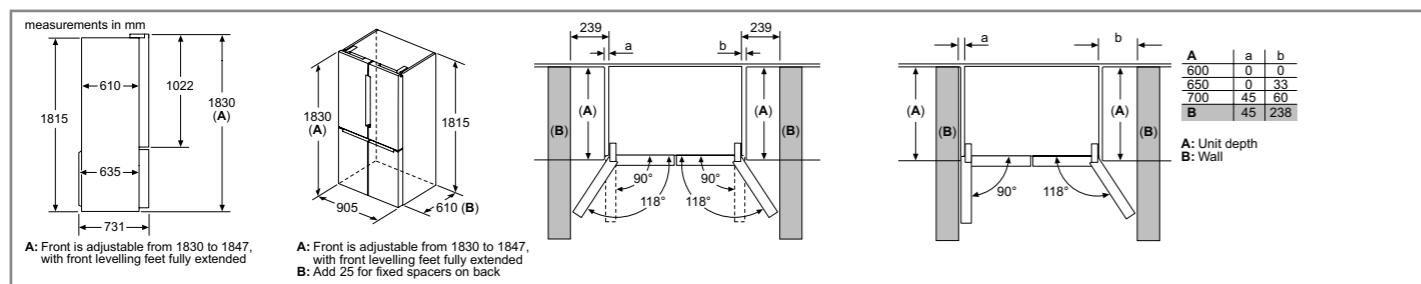
KTR15NWEAG, KTL15NWEAG, GTV15NWEBG

All diagram measurements are in millimetres (mm)

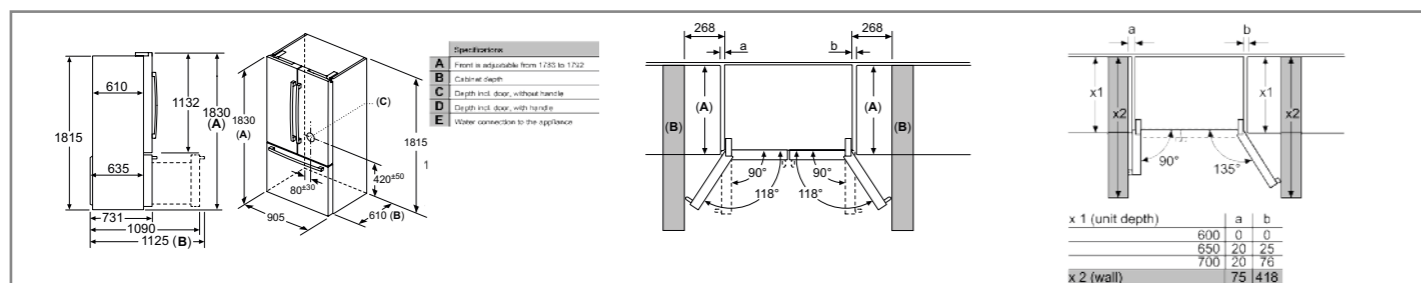
We try to keep up to date with constant technological improvements, so from time to time we may update installation guidelines. Therefore we strongly recommend that you download the latest installation guidelines from www.bosch-home.co.uk. Line drawings are for guidance only, and we recommend that you refer to the latest installation guidelines. Though every care is taken to ensure instructions are correct at the time of printing, Bosch cannot accept responsibility for incorrect planning or installation as a result of the use of these line drawings.

Cooling technical diagrams

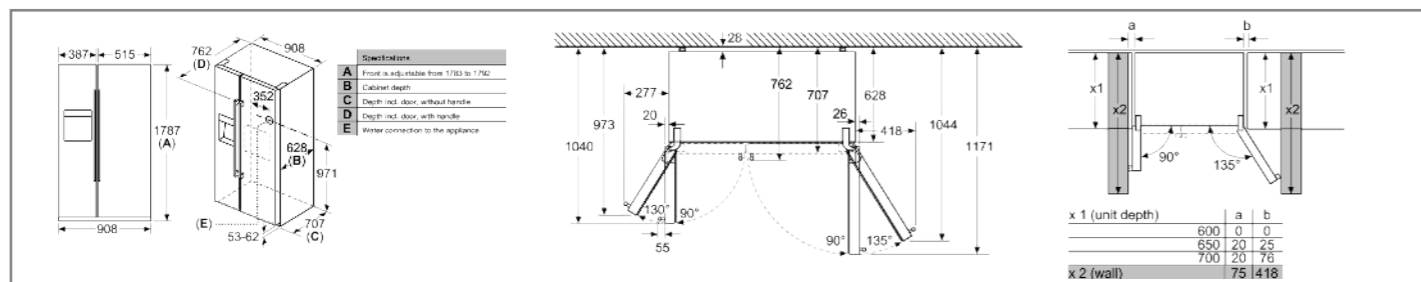
American-style & multi-door fridge freezers



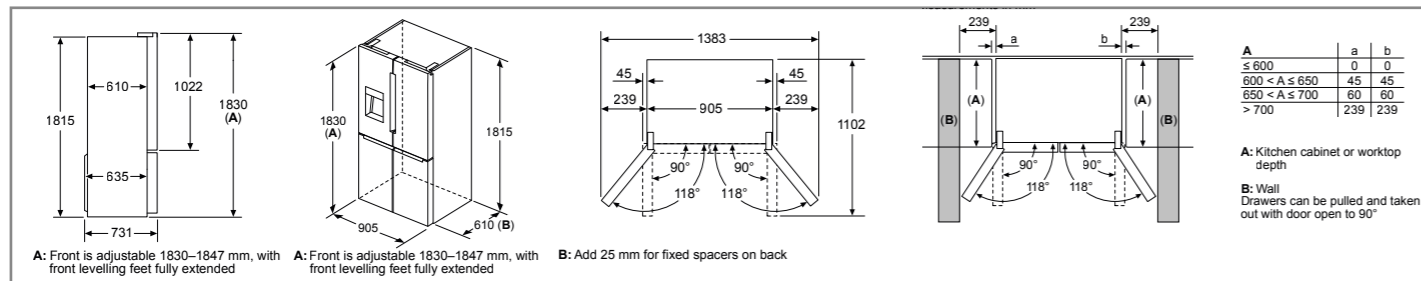
KFN96APEAG, KFN96VPEAG



KFF96PIEP

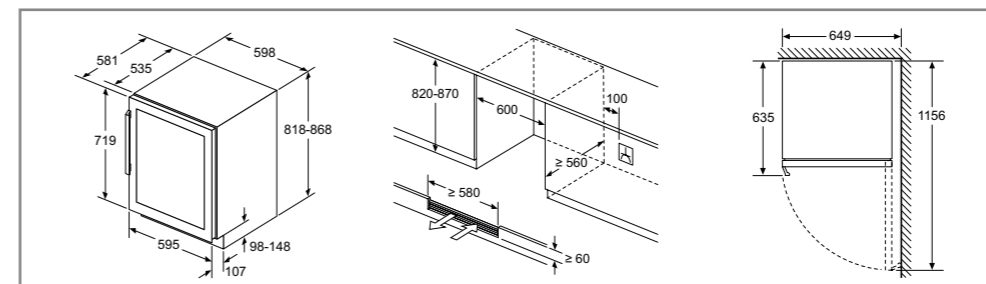


KAD93AIERG

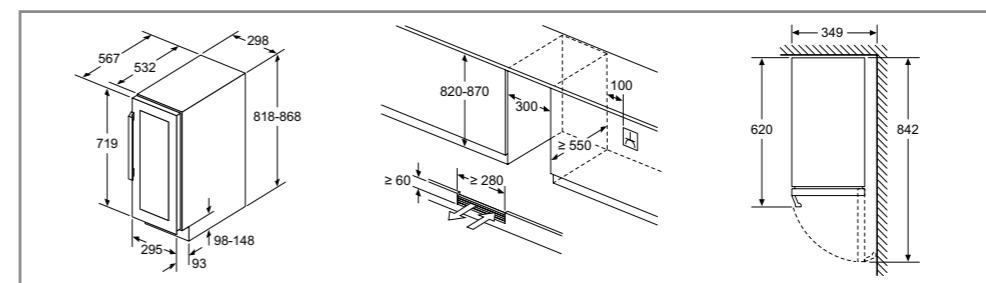


KFD96APEA, KFI96APEAG

Wine cabinets



KUW21AHGOG



KUW20VHF0G

All diagram measurements are in millimetres (mm)

We try to keep up to date with constant technological improvements, so from time to time we may update installation guidelines. Therefore we strongly recommend that you download the latest installation guidelines from www.bosch-home.co.uk. Line drawings are for guidance only, and we recommend that you refer to the latest installation guidelines. Though every care is taken to ensure instructions are correct at the time of printing, Bosch cannot accept responsibility for incorrect planning or installation as a result of the use of these line drawings.

Cooling accessories

COOLING ACCESSORIES	WHITE	STAINLESS STEEL
2030mm Joining strips		
Model	KSZ39AW00	KSZ39AL00

All diagram measurements are in millimetres (mm)

We try to keep up to date with constant technological improvements, so from time to time we may update installation guidelines. Therefore we strongly recommend that you download the latest installation guidelines from www.bosch-home.co.uk. Line drawings are for guidance only, and we recommend that you refer to the latest installation guidelines. Though every care is taken to ensure instructions are correct at the time of printing, Bosch cannot accept responsibility for incorrect planning or installation as a result of the use of these line drawings.

Introducing **MicroClean™** Technology

Our best ever dust pick-up¹. Over **99.9%**² with the **MicroClean™** Brush.



Model shown: BBS1041GGB

TO FIND OUT MORE ABOUT OUR VACUUM RANGE, PLEASE SCAN THE QR CODE BELOW:



Model shown: BBS931WGB

MicroClean™ Technology

Clean beyond the visible with **MicroClean™**. With the **MicroClean™** Sensor, the Unlimited 9 and 10 vacuums can effectively pick up even the tiniest particles that are typically overlooked. Rest easy with the **MicroClean™** Ring, which emits a blue light when your surfaces are completely clean, providing reassurance during each cleaning session.



¹Average dust and debris removal on hard floor and carpet with the Bosch Unlimited 9/10 compared to other Bosch cordless vacuum cleaner series²Dust pick-up measured in Turbo mode on hard floors with crevices. Tested according to EN IEC 62885-4:2020/A1:2023.

The pioneers of power

Today, our batteries are unrivalled, offering compact and lightweight long-life batteries that consistently deliver on power, performance and efficiency – making Bosch the number one choice for cordless technology in the home and garden. The exchangeable **Power4All System** only requires a single battery pack, which means complete flexibility when charging. The battery is part of our **Power4All system** so it's compatible with more than 20 power tools and lawn and garden products from Bosch.

Explore more at bosch-home.co.uk / bosch-home.ie

Our range of vacuum cleaners

Whether you need your vacuum to be flexible enough to tackle those hard to reach places, to vacuum and mop at the same time for convenience, or powerful enough to take on your whole house from floor to ceiling, the Bosch range of vacuums has a model to suit you.



Model shown: BBS1041GGB



Model shown: BCS71HYGGB



2 different brush heads supplied



Model shown: BBH3280GB

The **Unlimited Range**

The intelligent one. Great for different floor types.

Provides the perfect combination of high performance and flexibility. Powered by the Power4All System, the battery is exchangeable and is one of the largest cross-brand 18V battery systems in the market. Lightweight, compact, and powerful, the Unlimited range gives you thorough but flexible vacuuming. Guaranteeing effective cleaning on all kinds of floors.

The **Unlimited 7 Aqua**

The convenient one. Vacuum and mop in one go.

The Aqua head offers highly effective cleaning by fusing vacuuming and mopping together in one appliance, allowing you to tackle dusty floors and stained surfaces at the same time. With a range of features to enable this, you can now save time and avoid the need to clean twice.

For dry and carpet cleaning, simply swap on the the Unlimited 7 AllFloor DynamicPower Brush head that comes in the same box.

The **Flexxo**

The flexible one. Perfect for those hard to reach spaces.

Easy to use, fast and thorough, the cordless Flexxo 2in1 handheld and handstick vacuum cleaner is lightweight and compact.

Bosch Motor Technology – Power made in Germany.

At Bosch we design motors to make a difference. And because we not only expect a vacuum cleaner to deliver optimal results but also to be long-lasting, we guarantee you high performance with our free 10 years motor warranty*.

*Terms of warranty can be found on bosch-home.co.uk



Making **life easy** through innovative technologies

TO FIND OUT MORE ABOUT OUR FOOD PREP RANGE, PLEASE SCAN THE QR CODE BELOW:



Food preparation

Our multi-use stand mixers, hand mixers, hand blenders and processors are packed with innovative, labour-saving technology so you can chop, blend, shed, mix and whisk your way more quickly through your food preparation tasks.

Model shown: MUMS6ZM00G



Models shown: TAS16B4GB, TAS1002NGB, TAS6507GB, TAS1103GB

Coffee machines

TASSIMO combines innovative technology and contemporary design to make café-style coffees with coffee pods available across brands like Cadbury, Costa and more! Our new 'Friendly' range means some of our models¹ are now made up of recycled plastic².



TO FIND OUT MORE ABOUT OUR TASSIMO RANGE, PLEASE SCAN THIS QR CODE:



Series 6 Stand Mixer

Take the guesswork out of baking

The **Series 6** Stand Mixer's 7 sensor-driven automatic programmes monitor the food mixture every second and automatically stops the machine when the consistency is perfect. Simply select your programme for cake mix, pastry dough, whipped cream, egg whites and more for perfect results every time.*

Model shown: MUMS6ZM00G

*Terms of warranty can be found on bosch-home.co.uk



Models shown: TWKM223GB, TAT4M223GB

Kettles & toasters

Make every breakfast moment count with our range of kettles and toasters. Our Rapid boil kettles boil water in under one minute³ – perfect for those busy mornings!

¹Percentage is dependent on range/colour. ²Excluding food contact materials (FCM), 60%/35% of the plastic is from recycled material (EU Reg 2022/1616). ³Cup is equal to 250ml. Available on selected kettles.



TO FIND OUT MORE ABOUT OUR BREAKFAST HELPER SETS, PLEASE SCAN THE QR CODE BELOW:



Download a copy of our catalogues online at www.bosch-home.co.uk or call **0344 892 8979**

Contact Bosch Customer Service

To arrange an engineer visit, obtain product advice or order replacement spare parts or accessories visit www.bosch-home.co.uk or call **0344 892 8979**

Republic of Ireland customers should visit www.bosch-home.ie to arrange an engineer's visit, or to order spare parts and accessories, or call **(01) 450 2655**



BoschHomeUK



boschhomeuk



BoschHomeUKandIreland



boschhomeuk

Calls are charged at the basic rate, please check with your telephone service provider for exact charges.

Disclaimer: This brochure is current as from the publication date and supersedes all previous brochures for these products. This brochure should not be regarded as an infallible guide nor as an offer for sale of any particular product. Whilst BSH Home Appliances Ltd believes that all information contained within this brochure is correct at the time of going to print, no representation or warranty, express or implied, is or will be made and no responsibility or liability is or will be accepted by BSH Home Appliances Ltd in relation to the accuracy or completeness of this information and any liability is expressly disclaimed. To the extent permitted by law, BSH Home Appliances Ltd expressly excludes: i) all conditions, warranties and other terms which might otherwise be implied by statute, common law or the law of equity and ii) any liability for any direct, indirect or consequential loss or damage (including, without limitation, damages for loss of business or loss of profits) arising in contract, tort or otherwise from the use of or reliance on any information contained within this brochure or from any action or decision taken as a result of such use or reliance. BSH Home Appliances Ltd reserves the right to modify technical data and all other information contained within this brochure without notice. All rights reserved. No part of this publication may be reproduced in any form or without the prior written permission of BSH Home Appliances Ltd. All colour variations are due to the limitations of the printing process. We recommend a visit to a Bosch dealer to confirm that specifications and colours are to your satisfaction.

June 2025.

BSH Home Appliances Limited

Grand Union House
Old Wolverton Road, Wolverton
Milton Keynes MK12 5PT
www.bosch-home.co.uk

BSH Home Appliances Limited

M50 Business Park
Ballymount, Dublin 12
Tel: 1890 626 041
www.bosch-home.ie