



NEFF
cook. create. inspire.



NEFF
cook. create. inspire.

NEFF Customer Service
Grand Union House
Old Wolverton Road
Milton Keynes
Buckinghamshire
MK12 5ZR

BSH Home Appliances Ltd.
M50 Business Park
Ballymount
Dublin 12
T 1890 626 041
www.neff-home.com/ie

NEFF, a division of
BSH Home Appliances Ltd.
Grand Union House
Old Wolverton Road
Wolverton
Milton Keynes
MK12 5PT
www.neff-home.com/uk

NEFF
Collection
PARTNER

The **NEFF**
COLLECTION
BUILT-IN APPLIANCE CATALOGUE 2023



Welcome to the *NEW* NEFF COLLECTION

Designed with individuality at the core, to give NEFF customers the freedom to reflect their character in the kitchen.

This new range of Flex Design appliances features exciting new handles and side trims in four distinctive colours, to give kitchens the individual style that we know customers want. This new range allows for the trims on the appliances to truly reflect style and accents across the kitchen – matching taps, handles, lighting and soft furnishings to create a kitchen that is not only beautifully designed, but truly reflects each customer's style and character.

This NEFF Collection brochure details the beautiful new ranges available with inspirational imagery and links to our website, where you can see the range brought to life. It is also a reference guide in how to navigate and how to order this new range.



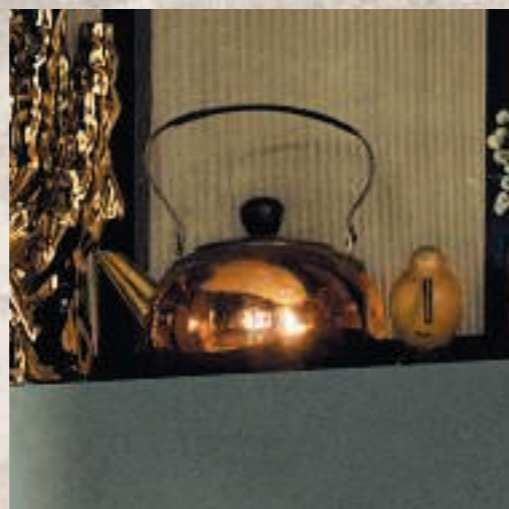
All NEFF Collection appliances come with 5 Years Warranty.

Open for FLEXIBILITY



Our first kitchen series that's as unique as you are.

At NEFF, we believe that openness is the key to everything creative. It's a mindset that we share with other open-minded and free-spirited hobby chefs and food lovers all around the world. People with an insatiable appetite for the extraordinary, and a constant craving for the unconventional – in and outside the kitchen. People that would always choose individuality over conformity.



- 1 Seamlessly combine a Compact Oven and a Single Oven with our 105cm Seamless Combination trim.
- 2 The new NEFF Flex Design trim allows you to add the accent trim to the Angled Glass Chimney hood*, extending the accent colour across the kitchen.
- 3 Introducing the new Twist Pad Flex® to accent the colour on the Induction Hob control. On selected models the Twist Pad Flex® can also be used to control the oven.
- 4 The NEFF Flex trim can also be added as a side strip to the Induction Hob to further complement the range.

*Not all models available at time of going to print.

Open for CHARACTER

Flex Design

Choose a finishing touch to match your kitchen's aesthetic – now and later!

Seamless Combination with Flex Design - watch your favourite appliances blend together seamlessly. Flex Design makes it simple to go from Brushed Bronze to Anthracite Grey. Choose your preferred colour at the time of purchase and swap it out later for a seamless blend without replacing your appliances. Twist Pad Flex® sold separately for ovens and built-in coffee machine.



Open for INTUITION



Twist Pad Flex®

Cooking is a sensual activity. The cook must be able to feel it all – from the texture of the food to the control over their instruments. Intuitively and instinctively to always stay in touch with what you are doing, we have now found a way for you to unleash your flow freely on multiple appliances: the magnetic Twist Pad Flex® ensures a precise and easy operation on your hob – but also on your oven and coffee machine. Just snap it on intuitively*.

Activate your desired cooking zone on your hob by tilting and choose your power level by rotating this genius button. The light around the Twist Pad Flex® indicates the status of your cooking zone, whether it is heating or not. So whether brewing a cup of coffee or baking a birthday cake, the Twist Pad Flex® is ready to dial your appliance up a notch, so that you can control your appliances reliably and comfortably.



Flex Control

Your appliances should work the way you cook - not the other way around. With Flex Control, your appliances adjust to your personal preferences.

Whether you swipe and tap the TFT Touch Control or guide a Twist Pad Flex®* into place, the high resolution interface adapts automatically. Full Touch 3 display featuring the largest 6.8" Full Touch TFT display offers the flexibility to operate the appliance with the Twist Pad Flex®* enabling ultimate flexibility and complete control while cooking the way you like. It also works on the coffee machine or you can operate this and all our appliances using the Home Connect app to make your favourite coffee. Operate your coffee machine intuitively with the Twist Pad Flex®*.



NEW Get more with Home Connect

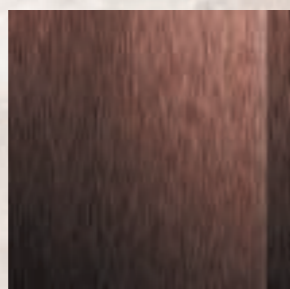
Be inspired and reduce food waste with free recipes in the Home Connect app and with our recipe partners. Achieving perfect results has never been easier. With Oven Assistant, simply use the Home Connect app or ask Alexa to find the perfect setting for your dish. For regularly used programmes, save these as favourites for super quick, convenient access, so you can concentrate on your cooking. Stay better connected with your guests with oven control and monitoring via smartphone, voice or smartwatch. No more dashing back and forth to the kitchen!



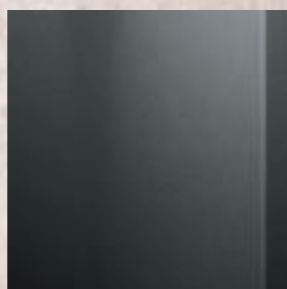
Open for PERSONALISED STYLE

Flex Trim finishes

It's details that make us special. Individual. Unmistakable. We believe your kitchen should be, too. That's why we've made it possible to personalise your appliances with the new NEFF Flex Design: interchangeable design elements such as handles and side trims in four distinctive colours for your oven, hood, hob, coffee machine and even your Twist Pad Flex®. Look forward to a Deep Black, Brushed Bronze, Metallic Silver or Anthracite Grey. And because kitchens grow and tastes change, the choice is also flexible. Simply swap out the design elements to suit your new style giving each appliance a lifetime of great taste.



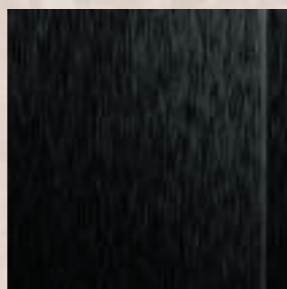
Brushed Bronze



Anthracite Grey



Metallic Silver



Deep Black



Easy to install

With Flex Design change is really easy: you can simply swap out design elements on your own, anytime you want to fit your new style.

Scan this code to view a video to see how to install and change the Flex Design trims.



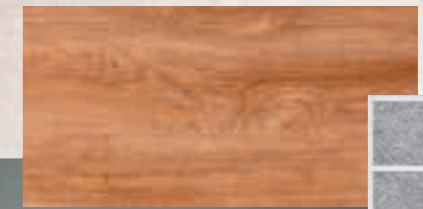
Throughout this brochure we have used the Brushed Bronze images – follow this link to our webpage to see the other colours brought to life online.

*Brushed
Bronze*



OPEN FOR

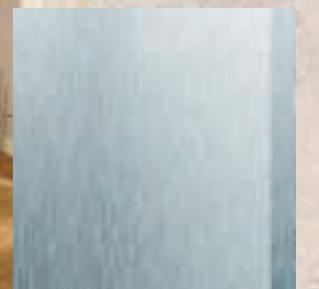
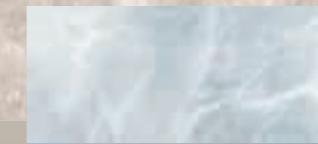
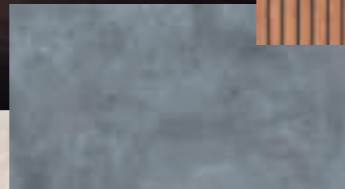
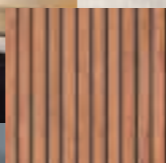
Deep Black



INSPIRATION

Create a mood board to match your favourite trim to other kitchen accessories.

Anthracite Grey



Metallic Silver

The seamless combination **FAMILY**

The new NEFF Flex Design range is not only available in four distinctive colours but the new seamless combination strips are available in seven lengths to allow for the ultimate in personalised installation solutions. Perfect when curating solutions, with a beautiful design aesthetic. These new sizes allow for new combinations: stack a compact and a microwave, a single oven and a small warming drawer, or even two single ovens in a tall bank – the flexibility on installations has so many more possibilities.

There are 7 stackable sizes and within each you can have a variety of combinations to suit your cooking style.

60cm



75cm

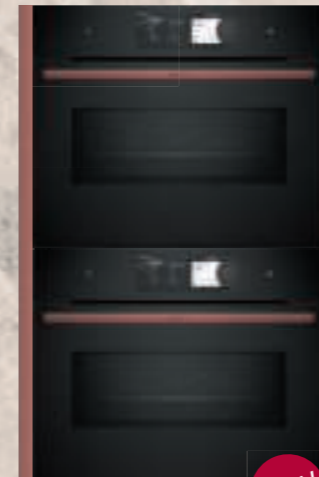


NEW

88cm



90cm



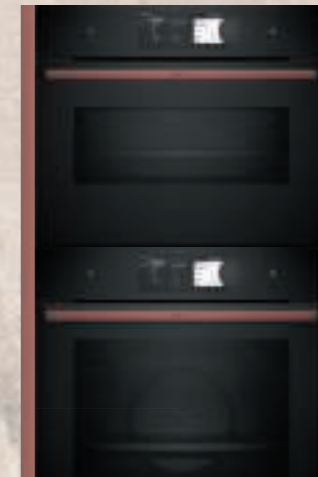
NEW

98cm



NEW

105cm



120cm



NEW

Fascia Display Types

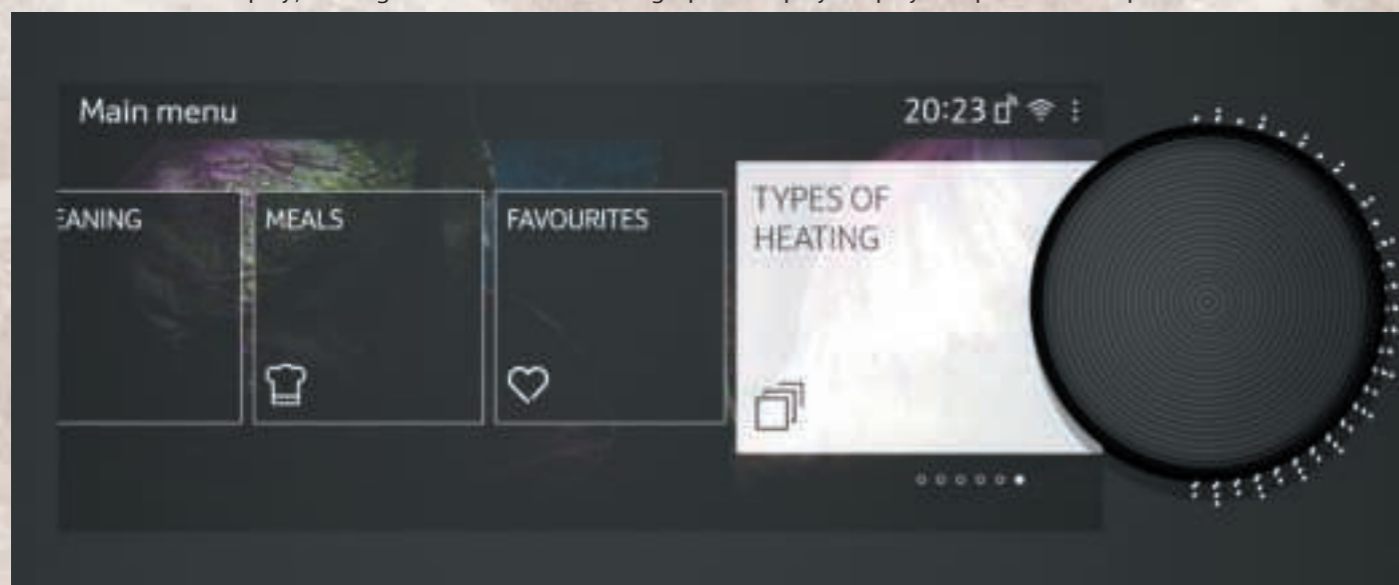
HIERARCHY



Introducing our new high resolution TFT touch screens. These new screens show crystal clear graphics and are intuitive and responsive to touch. Aligned to the Collections, the screen size will vary from the largest 6.8" screen on our N90 Full Touch 3 screen, to the generous 3.1" screen on the N70 Full Touch 1 screen – all offering the same Touch Screen control. The N90 Full Touch 3 6.8" screen also features room for two Twist Pad Flex®, one on either side of the interface, enabling ultimate flexibility and complete control while cooking.

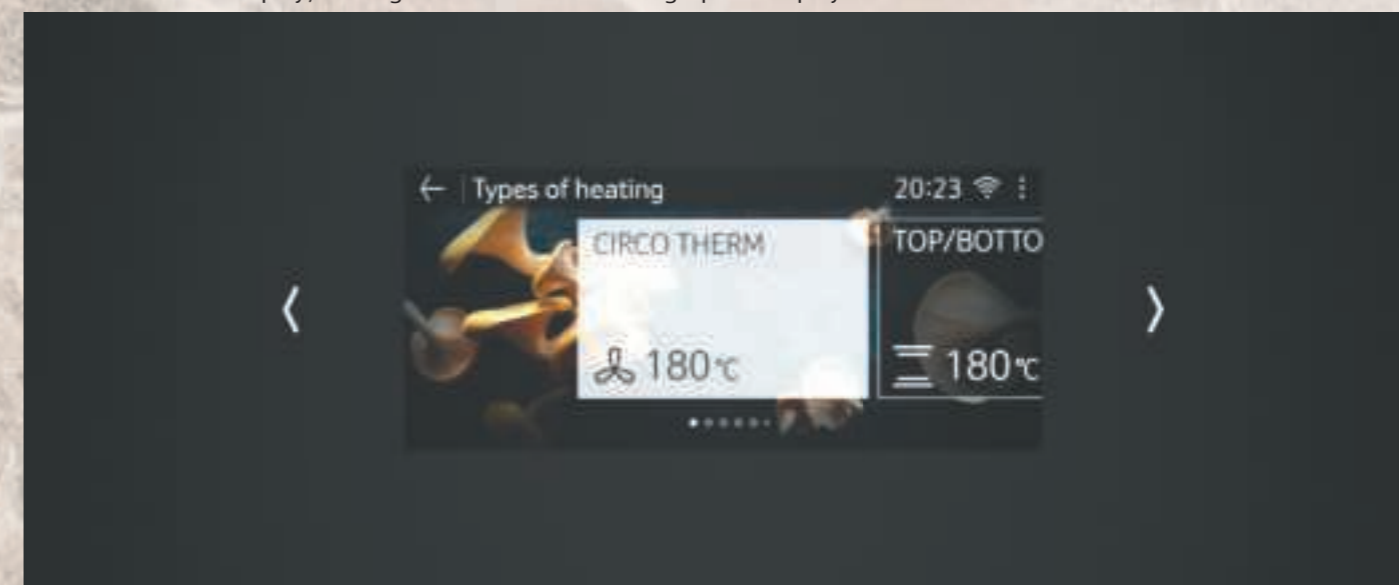
N90 – Full Touch 3 - Shown here with Twist Pad Flex® in place

Full Touch Control display; 6.8" high resolution TFT colour graphics display. Display compatible with up to 2 Twist Pad Flex®*.



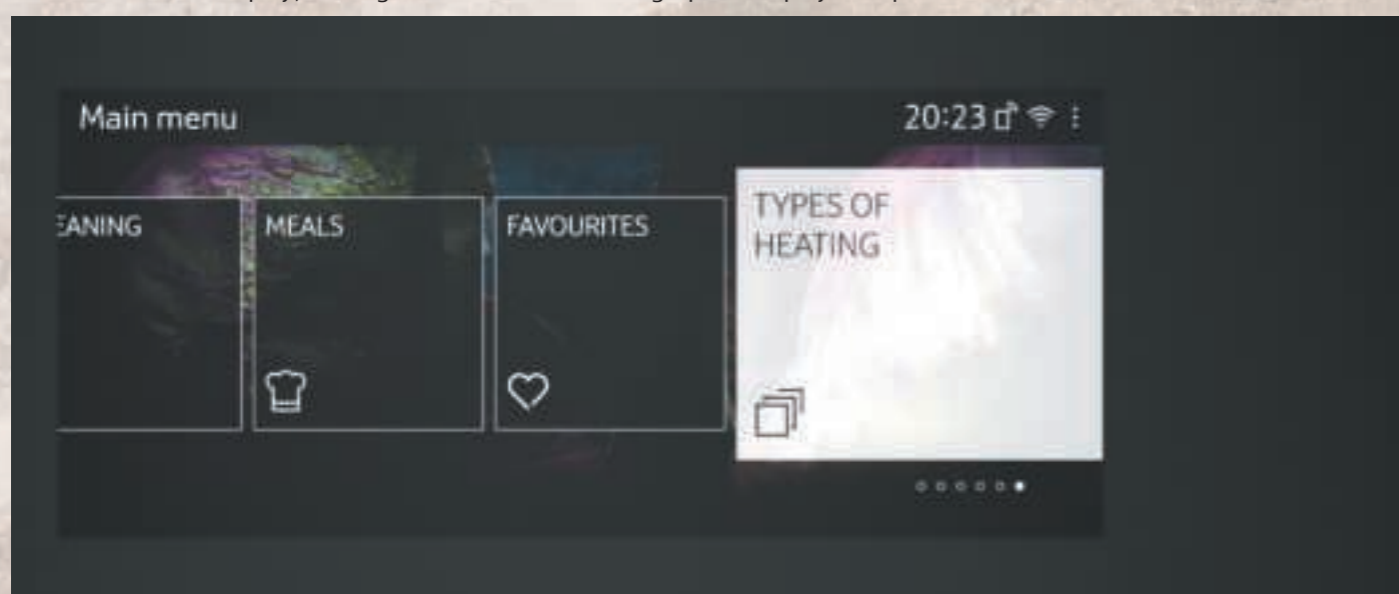
N90 – Full Touch 2

Full Touch Control display; 4.1" high resolution TFT colour graphics display.



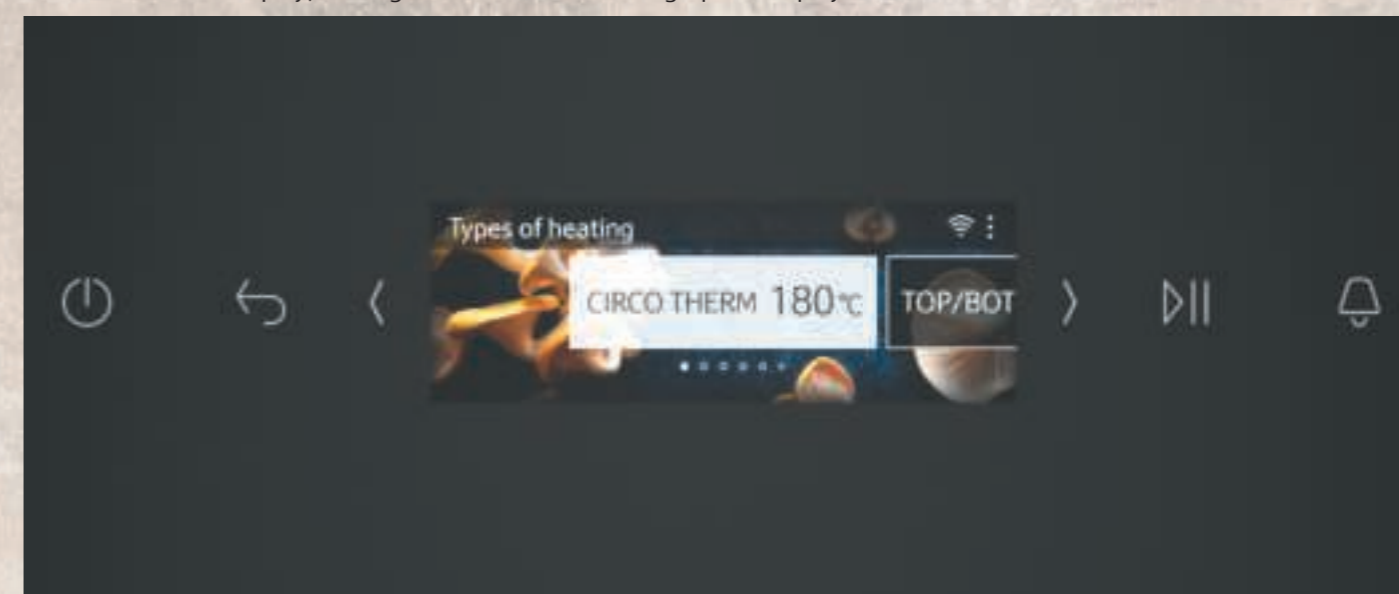
N90 – Full Touch 3 – Shown here in Full Touch mode

Full Touch Control display; 6.8" high resolution TFT colour graphics display. Compatible with Twist Pad Flex®.



N70 – Full Touch 1

Full Touch Control display; 3.7" high resolution TFT colour graphics display.



*The NEFF Twist Pad Flex® is an optional additional accessory that needs to be purchased separately. Full details are in the specification tables.



Open for a personal TOUCH – OR A TWIST

To twist or not to twist – the choice is yours!

With Flex Control, your appliance adapts to you! Whether you swipe and tap the TFT Touch Control or guide a Twist Pad Flex® into place, the high-resolution interface adapts automatically. The premium Full Touch 3 - 6.8" surface also features room for two Twist Pad Flex®, one on either side of the interface, enabling ultimate flexibility and complete control while cooking. *Twist Pad Flex® sold separately.

Below is an illustration of how the addition of the Twist Pad Flex® alters the controls.



Full Touch 3 – shown as Full Touch

Shown here in Full Touch mode – where by tapping or swiping the screen the functions and temperature are set.



Full Touch 3 – shown with one Twist Pad Flex®

Shown here with one Twist Pad Flex®. This can be placed on the right or the left of the display. By adding the Twist Pad Flex®, you can control the appliance using the dial and touch to set the functions and temperature.



Full Touch 3 – shown with two Twist Pad Flex®

Shown here with two Twist Pad Flex® on the display panel. By adding two Twist Pad Flex® the operating panel will change to Classic Mode and the functions and temperature will be set using the dial functionality of the Twist Pad Flex®.

Ultimate FLAVOUR AND TEXTURE

Cooking with steam isn't just cooking with steam, its temperature, volume and the precise moment it hits your food all play an important role in flavour and texture. This NEFF range has a variety of steam options to suit every cooking style.



Vario Steam®

Family feasts, cooked to perfection.

Vario Steam® gives dishes just the right amount of moisture by adding steam at three intensity levels, meaning all your dishes retain their gorgeous colour and flavour. A low level is perfect if you're reheating a dish you've cooked earlier, and a higher level is great for baking bread.



Intensive Steam

Intensify flavours and preserve nutrients.

Experience Intensive Steam with the new Intensive Steam feature with 120°C heat that retains your ingredients' nutrients and taste, for deliciously moist and flavoursome results. The fixed water tank makes operation and refilling a breeze*.

Sous Vide

For an explosion of flavour.

Discover new flavours and textures with Sous Vide. Vacuum sealing your favourite meats, fruits, fish or vegetables and then using the Sous Vide setting to steam them at low temperatures allows them to retain their most natural and intense flavours. From tender salmon to juicy corn on the cob, each dish remains a pure delight. And for a special touch, you can quickly sear meats before serving to give them a mouthwatering crust!



How to order with FLEX DESIGN

Our introduction to Flex Design within the NEFF Collection has tried to inspire you with all the possibilities that this new NEFF Collection brings you.

The ability to customise appliances to your customers' needs while offering all the fantastic features and functions that NEFF delivers. The following chapters focus on the detail of how exactly you go about ordering and installing these appliances.



Perfect alignment



Perfect alignment horizontally and vertically

The range has been considered to give perfect alignment across the value classes and all configurations are available in every colour.

Single appliance

Seamless Combination

Step-by-step approach to ordering

Whether you are ordering a single appliance or a suite of appliances to seamlessly combine vertically and horizontally, the following section will guide you through the process.

- If ordering single appliances, our step-by-step guide details the ordering process.
- If ordering multiple appliances to combine seamlessly, this process is also detailed.
- The guide navigates you, in a clear way, through the model codes to include when ordering.
- At the end of the seamless combination section we have included furniture installation guides.
- Further details on installation and colours can be seen by scanning our QR code where we will host videos online.

Customise to your style

Customising your appliance to match your kitchen is a concept that allows you to match oven trims and selected surface cooking and hoods to match the colours in the kitchen. Every appliance detailed in the next section is available in all four Flex Design trims.



Brushed Bronze

Anthracite Grey

Metallic Silver

Deep Black

To make the ordering of this new Flex Design range easy, this page shows the stages in ordering a single appliance or a suite of appliances to install seamlessly. The follow pages are an extensive guide with codes and installation apertures for furniture.


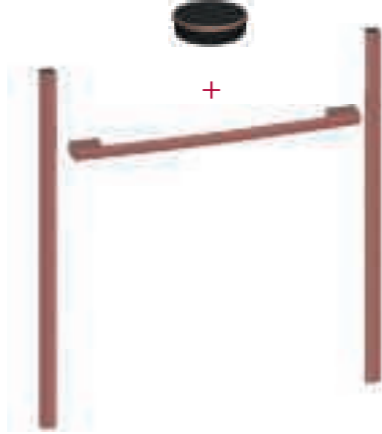




The way the concept works – single appliance

Our Flex Design concept is designed to build the appliance to the individual design requirement. The appliance is “blank” – choose the appliance you want to specify and then add the Flex Design trims in the chosen colour to create the final product. The Flex Design trim includes the handle and the side trim to the personalised colour required.

Follow the three easy steps below to configure your desired single appliance. ¹

Flex Design Trim is available in four distinctive colours.



	STEP 1 CHOOSE YOUR APPLIANCE	STEP 2 CHOOSE YOUR FLEX DESIGN TRIM	STEP 3 YOUR COMPLETE SET READY TO INSTALL
N90 FULL TOUCH 3 – 6.8" DISPLAY APPLIANCES	 <p>Full Touch 3 appliance operates as a Full Touch interface. An optional one or two Twist Pad Flex[®] can be added to enable dial control. See page 17 for more details.</p> <p>Blank Appliance Model Number: B69VY7MY0</p>	 <p>Flex Design Trim Model Numbers: Z9060BY0 + Z9801TWBY0 Twist Pad Flex[®]</p>	 <p>Complete Appliance Model Numbers: B69VY7MY0 + Z9060BY0 + Z9801TWBY0</p>
N90 FULL TOUCH 2 – 4.1" DISPLAY AND N70 FULL TOUCH 1 – 3.7" DISPLAY APPLIANCES	 <p>Blank Appliance Model Number: B69FS5CY0A</p>	 <p>Flex Design Trim Model Number: Z9060BY0</p>	 <p>Complete Appliance Model Numbers: B69FS5CY0A + Z9060BY0</p>

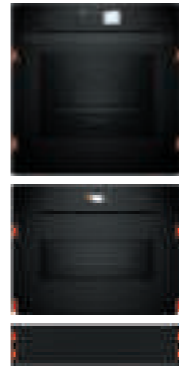
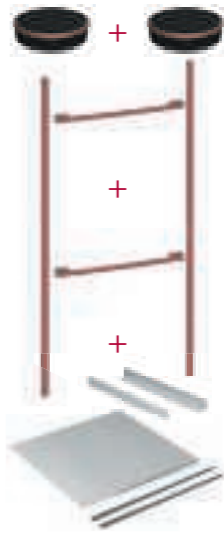

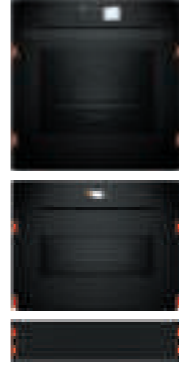
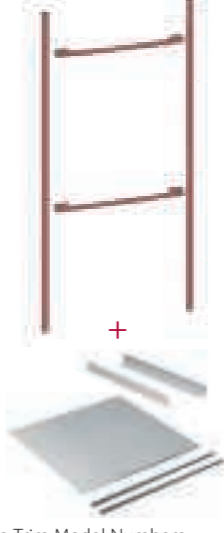
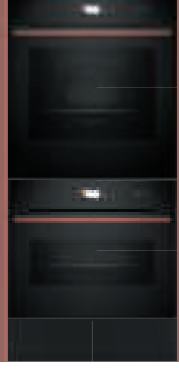
¹Appliance examples shown with Brushed Bronze Flex Design Trim.

²The Intermediate platform is required when installing an oven on top of another oven and is a Required Accessory.

The way the concept works – combining multiple appliances

Consideration has been made when installing the appliances seamlessly and this new NEFF Collection Range of Flex Design appliances allows for more freedom when combining appliances. In the same way as choosing a single appliance, when you want to combine them the process is the same but you need to find the right installation trim that matches your combination (see variations on pages 28-45).

Configure your desired seamless combination following the three easy steps below. Some combinations require additional installation accessories fully detailed in this section.

	STEP 1 CHOOSE YOUR APPLIANCES AND INSTALLATION COMBINATION	STEP 2 CHOOSE FLEX TRIM AND ACCESSORIES	STEP 3 YOUR COMPLETE SET READY TO INSTALL
N90 FULL TOUCH 3 – 6.8" DISPLAY APPLIANCES	 <p>Blank Appliances Model Numbers: B69FY5CX0 + C29MY7MY0 + N29XA11Y1</p>	 <p>Flex Design Trim Model Numbers: 2 x Z9801TWBY0 Twist Pad Flex[®] + Z912BBY0 + Z11SZ00X1 ²</p>	 <p>Complete Appliance Model Numbers: B69FY5CX0 + C29MY7MY0 + N29XA11Y1 + 2 x Z9801TWBY0 + Z912BBY0 + Z11SZ00X1</p>
N90 FULL TOUCH 2 – 4.1" DISPLAY AND N70 FULL TOUCH 1 – 3.7" DISPLAY APPLIANCES	 <p>Blank Appliances Model Numbers: B69FS5CY0A + C29FS3AY0 + N29XA11Y1</p>	 <p>Flex Design Trim Model Numbers: Z912BBY0 + Z11SZ00X1 ²</p>	 <p>Complete Appliance Model Numbers: B69FS5CY0A + C29FS3AY0 + N29XA11Y1 + Z912BBY0 + Z11SZ00X1</p>

i Twist Pad Flex[®] is an additional accessory for N90 Full Touch 3 display appliances only.



Flex Design Oven Range

All single ovens have:

- Slide and Hide® with Soft Open / Close door and rotating handle
- Multipoint Temperature Probe
- 1 pair Telescopic Rails
- Circo Therm®
- Home Connect



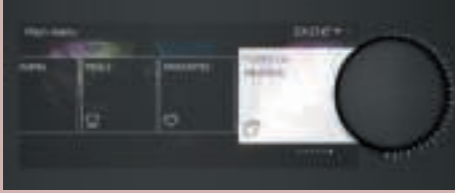



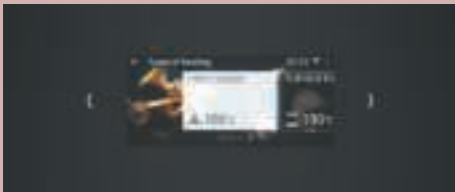





All compact ovens have:

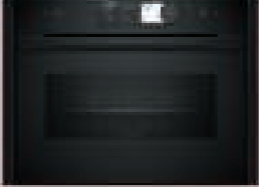




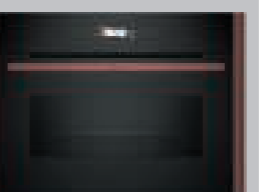


- Soft Open / Close door
- 1 pair Telescopic Rails
- Home Connect



All microwaves have:

- Up to 900w
- 5 power levels

DISPLAY TYPE	SLIDE AND HIDE® SINGLE OVENS - WITH ROTATING HANDLE AND SOFT/OPEN CLOSE		
	WITH INTENSIVE STEAM	WITH VARIO STEAM®	
 <p>FULL TOUCH 3 - 6.8" FULL TOUCH TFT DISPLAY</p> <p>*Optional Twist Pad Flex® can be installed on Full Touch 3 only</p>	 <p>B69FY5CX0</p> <ul style="list-style-type: none"> • 23 Functions • Intensive Steam - with fixed water connection 	 <p>B69VY7MY0</p> <ul style="list-style-type: none"> • 20 Functions • Vario Steam® • Pyrolytic 	 <p>B69CY7MY0</p> <ul style="list-style-type: none"> • 14 Functions • Pyrolytic
 <p>FULL TOUCH 2 - 4.1" FULL TOUCH TFT DISPLAY</p>	 <p>B69FS5CY0A</p> <ul style="list-style-type: none"> • 24 Functions • Intensive Steam 	 <p>B69VS7MY0A</p> <ul style="list-style-type: none"> • 21 Functions • Vario Steam® • Pyrolytic 	 <p>B69CS7MY0B</p> <ul style="list-style-type: none"> • 14 Functions • Pyrolytic
 <p>FULL TOUCH 1 - N70 3.7" FULL TOUCH TFT DISPLAY</p>			 <p>B59CR7KY0B</p> <ul style="list-style-type: none"> • 14 Functions • Pyrolytic

COMPACT OVENS		COFFEE MACHINE	MICROWAVES	
WITH STEAM	WITH MICROWAVE		LEFT HINGED DOOR	RIGHT HINGED DOOR
 <p>C29FY5CX0</p> <ul style="list-style-type: none"> • 23 Functions • Intensive Steam - with fixed water connection • Multipoint Temperature Probe 	 <p>C29MY7MY0</p> <ul style="list-style-type: none"> • 20 Functions • Multipoint Temperature Probe 	 <p>CL9TX11X0</p> <ul style="list-style-type: none"> • 11 Functions 		
 <p>C29FS3AY0</p> <ul style="list-style-type: none"> • 23 Functions • Intensive Steam 	 <p>C29MS7KY0</p> <ul style="list-style-type: none"> • 20 Functions 			
	 <p>C29MR21Y0B</p> <ul style="list-style-type: none"> • 16 Functions 		 <p>NL9WR21Y1B</p> <ul style="list-style-type: none"> • Left Hinged Door • Up to 900w • 5 power levels 	 <p>NR9WR21Y1B</p> <ul style="list-style-type: none"> • Right Hinged Door • Up to 900w • 5 power levels

DISPLAY TYPE	14CM DRAWERS		29CM DRAWERS
	VACUUM DRAWER	WARMING DRAWER	WARMING DRAWER
<p>All drawers have:</p> <ul style="list-style-type: none"> • Push / pull opening • 6 temperature settings 	 <p>N29XA11Y1</p>	 <p>N29HA11Y1B</p>	 <p>N39HA11Y1B</p>

Your guide to ordering a Single Appliance with Flex Design

Single Ovens


Flex Design pack includes Single Oven Side Trims and Handle for 60cm NEFF Collection Flex Design Oven.

STEP 1 CHOOSE YOUR SINGLE OVEN				STEP 2 CHOOSE YOUR FLEX DESIGN TRIM		STEP 3 COMPLETED APPLIANCE
Collection	Display Size	Oven Type	Model Number	Finish	Model Number	
N90	Full Touch 3	Slide and Hide® Single Pyrolytic Oven with Vario Steam®	B69VY7MY0	Anthracite Grey	Z9060AY0	
N90	Full Touch 3	Slide and Hide® Single Pyrolytic Oven	B69CY7MY0			
N90	Full Touch 3	Slide and Hide® Single Oven with Intensive Steam	B69FY5CX0	Brushed Bronze	Z9060BY0	
N90	Full Touch 2	Slide and Hide® Single Pyrolytic Oven with Vario Steam®	B69VS7MY0A			
N90	Full Touch 2	Slide and Hide® Single Pyrolytic Oven	B69CS7MY0B	Deep Black	Z9060DY0	
N90	Full Touch 2	Slide and Hide® Single Oven with Intensive Steam	B69FS5CY0A			
N90	Full Touch 2	Slide and Hide® Single Oven with Intensive Steam	B69FS5CY0A	Metallic Silver	Z9060MY0	
N70	Full Touch 1	Slide and Hide® Single Pyrolytic Oven	B59CR7KY0B			

Model shown:
B69VY7MY0 Single Oven
Z9060BY0 Flex Design Trim

Compact Ovens

Flex Design pack includes Compact Oven Side Trim and Handle for 45cm NEFF Collection Flex Design Oven.

STEP 1 CHOOSE YOUR COMPACT OVEN				STEP 2 CHOOSE YOUR FLEX DESIGN TRIM		STEP 3 COMPLETED APPLIANCE
Collection	Display Size	Oven Type	Model Number	Finish	Model Number	
N90	Full Touch 3	Compact Oven with Intensive Steam	C29FY5CX0	Anthracite Grey	Z9045AY0	
N90	Full Touch 3	Compact Oven with Microwave	C29MY7MY0			
N90	Full Touch 2	Compact Oven with Intensive Steam	C29FS3AY0	Deep Black	Z9045DY0	
N90	Full Touch 2	Compact Oven with Microwave	C29MS7KY0			
N70	Full Touch 1	Compact Oven with Microwave	C29MR21Y0B	Metallic Silver	Z9045MY0	

Model shown:
C29FY5CX0 Compact Oven
Z9060BY0 Flex Design Trim

Microwaves

Flex Design pack includes 38cm Microwaves Side Trim for NEFF Collection Flex Design Microwave.

STEP 1 CHOOSE YOUR MICROWAVE OVEN				STEP 2 CHOOSE YOUR FLEX DESIGN TRIM		STEP 3 COMPLETED APPLIANCE
Collection	Display Size	Oven Type	Model Number	Finish	Model Number	
N70	Full Touch 1	38cm Microwave Oven - Left Hinged Door	NL9WR21Y1B	Anthracite Grey	Z9038AY0	
				Brushed Bronze	Z9038BY0	
N70	Full Touch 1	38cm Microwave Oven - Right Hinged Door	NR9WR21Y1B	Deep Black	Z9038DY0	
				Metallic Silver	Z9038MY0	

Model shown:
NL9WR21Y1B Microwave
Z9038DY0 Flex Design Trim

Coffee Machine

Flex Design pack includes Coffee Machine Side Trims for NEFF Collection Flex Design Coffee Machine.

STEP 1 CHOOSE YOUR COFFEE MACHINE				STEP 2 CHOOSE YOUR FLEX DESIGN TRIM		STEP 3 COMPLETED APPLIANCE
Collection	Display Size	Coffee Machine Type	Model Number	Finish	Model Number	
N90	Full Touch 3	Compact Coffee Machine - Left Hinged Door	CL9TX11X0	Anthracite Grey	ZC045AY0	
				Brushed Bronze	ZC045BY0	
				Deep Black	ZC045DY0	
				Metallic Silver	ZC045MY0	

Model shown:
CL9TX11X0 Coffee Machine
ZC045BY0 Flex Design Trim

14cm Warming/Vacuum Drawers

Flex Design pack includes 14cm Side Trims for NEFF Collection 14cm Drawers.

STEP 1 CHOOSE YOUR DRAWER			STEP 2 CHOOSE YOUR FLEX DESIGN TRIM		STEP 3 COMPLETED APPLIANCE
Collection	Drawer Type	Model Number	Finish	Model Number	
N90/70	14cm Vacuum Drawer	N29XA11Y1	Anthracite Grey	Z9014AY0	
			Brushed Bronze	Z9014BY0	
N90/70	14cm Warming Drawer	N29HA11Y1B	Deep Black	Z9014DY0	
			Metallic Silver	Z9014MY0	

Model shown:
N29XA11Y1 14cm Drawer
Z9014BY0 Flex Design Trim

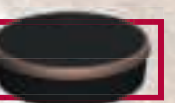
29cm Warming Drawer

Flex Design pack includes 29cm Side Trims for NEFF Collection 29cm Drawer.

STEP 1 CHOOSE YOUR DRAWER			STEP 2 CHOOSE YOUR FLEX DESIGN TRIM		STEP 3 COMPLETED APPLIANCE
Collection	Drawer Type	Model Number	Finish	Model Number	
N90/70	29cm Warming Drawer	N39HA11Y1B	Anthracite Grey	Z9029AY0	
			Brushed Bronze	Z9029BY0	
			Deep Black	Z9029DY0	
			Metallic Silver	Z9029MY0	

Model shown:
N39HA11Y1B 29cm Drawer
Z9029BY0 Flex Design Trim

i Twist Pad Flex® is an additional accessory for N90 Full Touch 3 display appliances only.



Your Guide To Cooking Seamless Combination Flex Design

The new Flex Design range of Seamless Combination strips means there are many more ways to combine appliances. There are 7 strips and for some of the strips there are several combinations available. This following section includes the detail required to install every combination available.

Once a combination has been decided with the customer, this guide will navigate you through the aperture that this size will fit (line drawings and installation follow this section). For each combination we have included the guide to ordering.

Once you have decided what to combine and the installation you would like - find the illustrated example and choose the appliances - detailed alongside the illustration. Then choose the Flex Design trim in the chosen colour - each trim is configured with the correct amount of side trims and handles.

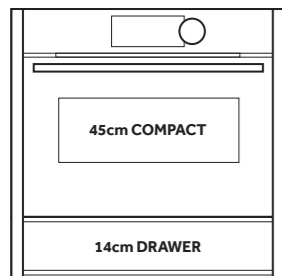
When the installation involves stacking an oven on another oven or compact oven, you require an intermediate shelf - code supplied. Finally if on selected Full Touch 3 models you want to add an optional Twist Pad Flex® then the codes are available.



60cm Trim – Compact Oven and Drawer

45cm Compact oven installed with a 14cm drawer

STEP 1 CHOOSE YOUR COMPLETED COMBINATION



STEP 2 SUITABLE APPLIANCES

CHOOSE YOUR COMPACT OVEN

Collection	Display Size	Compact Oven Type	Model Number
N90	Full Touch 3 Display	Compact Oven with Intensive Steam	C29FY5CX0
N90	Full Touch 3 Display	Compact Oven with Microwave	C29MY7MY0
N90	Full Touch 2 Display	Compact Oven with Intensive Steam	C29FS3AY0
N90	Full Touch 2 Display	Compact Oven with Microwave	C29MS7KY0
N70	Full Touch 1 Display	Compact Oven with Microwave	C29MR21Y0B

CHOOSE YOUR DRAWER

Collection	Drawer Type	Model Number
N90 / N70	14cm Vacuum Drawer	N29XA11Y1
N90 / N70	14cm Warming Drawer	N29HA11Y1B

STEP 3 CHOOSE YOUR FLEX DESIGN TRIM. TRIM INCLUDES 2 X 60CM SIDE TRIMS AND 1 HANDLE

CHOOSE YOUR FLEX DESIGN TRIM

Finish	Model Number
Anthracite Grey	Z9060AY0
Brushed Bronze	Z9060BY0
Deep Black	Z9060DY0
Metallic Silver	Z9060MY0

OPTIONAL ACCESSORY

Twist Pad Flex® is an additional accessory for Full Touch 3 appliances.

Finish	Model Number
Anthracite Grey	Z9801TWAY0
Brushed Bronze	Z9801TWBY0
Deep Black	Z9801TWDY0
Metallic Silver	Z9801TWMY0

SUMMARY ORDER... TO ACHIEVE THIS INSTALLATION ORDER THE FOLLOWING SUITE OF MODEL CODES

To combine a Full Touch 3 Flex Design Compact Oven with Microwave with a 14cm Drawer in Brushed Bronze with one optional Twist Pad Flex® order:

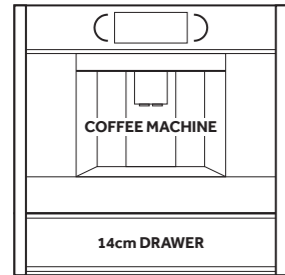
- C29MY7MY0** Compact Oven
- N29HA11Y1B** 14cm Drawer
- Z9060BY0** Flex Design Trim
- Z9801TWBY0** Twist Pad Flex® (optional)

60cm Trim – Coffee Machine and Drawer

Coffee machine installed with 14cm drawer combination. The coffee machine requires an alternative 14cm warming drawer to install seamlessly - full details below.

STEP 1

CHOOSE YOUR COMPLETED COMBINATION



STEP 2

SUITABLE APPLIANCES

CHOOSE YOUR COMPACT OVEN

Collection	Display Size	Compact Oven Type	Model Number
N90	Full Touch 3	Compact Coffee Machine - Left Hinged Door	CL9TX11X0

CHOOSE YOUR DRAWER

Collection	Drawer Type	Model Number
N90 / N70	14cm Warming Drawer. For Seamless Installation with Coffee machine only.	N29HA11Y2

PLUS REQUIRED ACCESSORY

Accessory For Coffee	ZC060TY0
----------------------	----------

STEP 3

CHOOSE YOUR FLEX DESIGN TRIM. TRIM INCLUDES 2 X 60CM SIDE TRIMS

CHOOSE YOUR FLEX DESIGN TRIM

Finish	Model Number
Anthracite Grey	ZC060AY0
Brushed Bronze	ZC060BY0
Deep Black	ZC060DY0
Metallic Silver	ZC060MY0

SUMMARY ORDER...

TO ACHIEVE THIS INSTALLATION ORDER THE FOLLOWING SUITE OF MODEL CODES

To combine a Coffee machine with a 14cm Drawer in Brushed Bronze order:

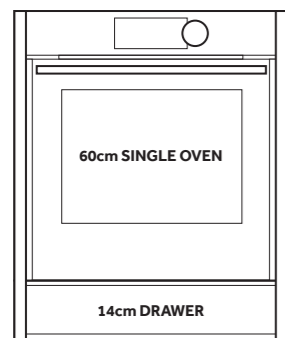
CL9TX11X0 Coffee Machine
N29HA11Y2 14cm Warming Drawer
ZC060TY0 Accessory for installation
ZC060BY0 Flex Design Trim

75cm Trim – Single Oven and Drawer

60cm Single oven installed with 14cm drawer combination.

STEP 1

CHOOSE YOUR COMPLETED COMBINATION



STEP 2

SUITABLE APPLIANCES

CHOOSE YOUR SINGLE OVEN

Collection	Display Size	Compact Oven Type	Model Number
N90	Full Touch 3	Slide and Hide® Single Pyrolytic Oven with Vario Steam®	B69VY7MY0
N90	Full Touch 3	Slide and Hide® Single Pyrolytic Oven	B69CY7MY0
N90	Full Touch 3	Slide and Hide® Single Oven with Intensive Steam	B69FY5CX0
N90	Full Touch 2	Slide and Hide® Single Pyrolytic Oven with Vario Steam®	B69VS7MY0A
N90	Full Touch 2	Slide and Hide® Single Pyrolytic Oven	B69CS7MY0B
N90	Full Touch 2	Slide and Hide® Single Oven with Intensive Steam	B69FS5CY0A
N70	Full Touch 1	Slide and Hide® Single Pyrolytic Oven	B59CR7KY0B

CHOOSE YOUR DRAWER

Collection	Drawer Type	Model Number
N90 / N70	14cm Vacuum Drawer	N29XA11Y1
N90 / N70	14cm Warming Drawer	N29HA11Y1B

STEP 3

CHOOSE YOUR FLEX DESIGN TRIM. TRIM INCLUDES 2 X 75CM SIDE TRIMS AND 1 HANDLE.

CHOOSE YOUR FLEX DESIGN TRIM

Finish	Model Number
Anthracite Grey	Z9075AY0
Brushed Bronze	Z9075BY0
Deep Black	Z9075DY0
Metallic Silver	Z9075MY0

OPTIONAL ACCESSORY

Twist Pad Flex® is an additional accessory for Full Touch 3 appliances.

Finish	Model Number
Anthracite Grey	Z9801TWAY0
Brushed Bronze	Z9801TWBY0
Deep Black	Z9801TWDY0
Metallic Silver	Z9801TWMY0

SUMMARY ORDER...

TO ACHIEVE THIS INSTALLATION ORDER THE FOLLOWING SUITE OF MODEL CODES

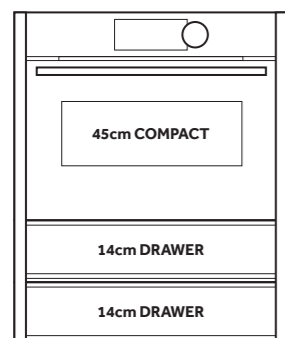
To combine a single oven with a 14cm drawer in Deep Black order:

B69FS5CY0A Single Oven
N29HA11Y1B 14cm drawer
Z9075DY0 Flex Design Trim

75cm Trim – Compact Oven and 2 x Drawers

60cm Single oven installed with 29cm drawer combination.

STEP 1 CHOOSE YOUR COMPLETED COMBINATION



STEP 2 SUITABLE APPLIANCES

CHOOSE YOUR COMPACT OVEN			
Collection	Display Size	Compact Oven Type	Model Number
N90	Full Touch 3	Compact Oven with Intensive Steam	C29FY5CX0
N90	Full Touch 3	Compact Oven with Microwave	C29MY7MY0
N90	Full Touch 2	Compact Oven with Intensive Steam	C29FS3AY0
N90	Full Touch 2	Compact Oven with Microwave	C29MS7KY0
N70	Full Touch 1	Compact Oven with Microwave	C29MR21Y0B

CHOOSE YOUR DRAWER		
Collection	Drawer Type	Model Number
N90 / N70	14cm Vacuum Drawer	N29XA11Y1
N90	14cm Warming Drawer	N29HA11Y1B

STEP 3 CHOOSE YOUR FLEX DESIGN TRIM. TRIM INCLUDES – 2 X 75CM SIDE TRIMS AND 1 HANDLE

CHOOSE YOUR FLEX DESIGN TRIM	
Finish	Model Number
Anthracite Grey	Z9075AY0
Brushed Bronze	Z9075BY0
Deep Black	Z9075DY0
Metallic Silver	Z9075MY0

OPTIONAL ACCESSORY

Twist Pad Flex® is an additional accessory for Full Touch 3 appliances.

Finish	Model Number
Anthracite Grey	Z9801TWAY0
Brushed Bronze	Z9801TWBY0
Deep Black	Z9801TWDY0
Metallic Silver	Z9801TWMY0

SUMMARY ORDER... TO ACHIEVE THIS INSTALLATION ORDER THE FOLLOWING SUITE OF MODEL CODES

To install a Compact oven and two 14cm drawers in Deep Black order:

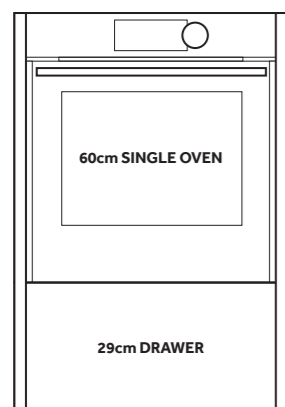
B69FY5CX0 Compact Oven
N29HA11Y1 14cm Warming Drawer
N29XA11Y2 14cm Vacuum Drawer
Z9075DY0 Flex Design Trim

In this installation the Vacuum drawer must always be installed at the bottom of the stack

88cm Trim – Single Oven and 29cm Drawer

60cm Single oven installed with 29cm drawer combination.

STEP 1 CHOOSE YOUR COMPLETED COMBINATION



STEP 2 SUITABLE APPLIANCES

CHOOSE YOUR SINGLE OVEN			
Collection	Display Size	Compact Oven Type	Model Number
N90	Full Touch 3	Slide and Hide® Single Pyrolytic Oven with Vario Steam®	B69VY7MY0
N90	Full Touch 3	Slide and Hide® Single Pyrolytic Oven	B69CY7MY0
N90	Full Touch 3	Slide and Hide® Single Oven with Intensive Steam	B69FY5CX0
N90	Full Touch 2	Slide and Hide® Single Pyrolytic Oven with Vario Steam®	B69VS7MY0A
N90	Full Touch 2	Slide and Hide® Single Pyrolytic Oven	B69CS7MY0B
N90	Full Touch 2	Slide and Hide® Single Oven with Intensive Steam	B69FS5CY0A
N70	Full Touch 1	Slide and Hide® Single Pyrolytic Oven	B59CR7KY0B

CHOOSE YOUR DRAWERS		
Collection	Drawer Type	Model Number
N90 / N70	29cm Warming Drawer	N39HA11Y1B

STEP 3 CHOOSE YOUR FLEX DESIGN TRIM. TRIM INCLUDES 2 X 88CM SIDE TRIMS AND 1 HANDLE.

CHOOSE YOUR FLEX DESIGN TRIM	
Finish	Model Number
Anthracite Grey	Z990AAAY0
Brushed Bronze	Z990ABY0
Deep Black	Z990ADY0
Metallic Silver	Z990AMY0

OPTIONAL ACCESSORY

Twist Pad Flex® is an additional accessory for Full Touch 3 appliances.

Finish	Model Number
Anthracite Grey	Z9801TWAY0
Brushed Bronze	Z9801TWBY0
Deep Black	Z9801TWDY0
Metallic Silver	Z9801TWMY0

SUMMARY ORDER... TO ACHIEVE THIS INSTALLATION ORDER THE FOLLOWING SUITE OF MODEL CODES

To install a single oven and a deep 29cm warming drawer order in Metallic Silver order:

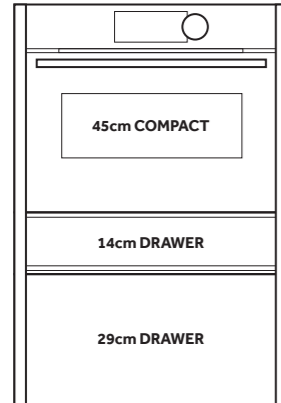
B59CR7KY0B Single Oven
N39HA11Y1B 29cm Warming Drawer
Z990AMY0 Flex Design Trim

88cm Trim – Compact Oven, 14cm Drawer and 29cm Drawer

Compact oven installed with a 14cm warming drawer and a 29cm warming drawer.

STEP 1

CHOOSE YOUR COMPLETED COMBINATION



STEP 2

SUITABLE APPLIANCES

CHOOSE YOUR COMPACT OVEN

Collection	Display Size	Compact Oven Type	Model Number
N90	Full Touch 3	Compact Oven with Intensive Steam	C29FY5CX0
N90	Full Touch 3	Compact Oven with Microwave	C29MY7MY0
N90	Full Touch 2	Compact Oven with Intensive Steam	C29FS3AY0
N90	Full Touch 2	Compact Oven with Microwave	C29MS7KY0
N70	Full Touch 1	Compact Oven with Microwave	C29MR21Y0B

CHOOSE YOUR DRAWERS

Collection	Drawer Type	Model Number
N90 / N70	14cm Vacuum Drawer	N29XA11Y1
N90 / N70	14cm Warming Drawer	N29HA11Y1B
N90 / N70	29cm Warming Drawer	N39HA11Y1B

Within this combination the 29cm and 14cm can also be done with the 14cm drawer on the bottom - please refer to p.48 for full details. **If installing the 14cm vacuum drawer it must be the bottom appliance.**

STEP 3

CHOOSE YOUR FLEX DESIGN TRIM. TRIM INCLUDES – 2 X 88CM SIDE TRIMS AND 1 HANDLE.

CHOOSE YOUR FLEX DESIGN TRIM

Finish	Model Number
Anthracite Grey	Z990AAAY0
Brushed Bronze	Z990ABY0
Deep Black	Z990ADY0
Metallic Silver	Z990AMY0

OPTIONAL ACCESSORY

Twist Pad Flex® is an additional accessory for Full Touch 3 appliances.

Finish	Model Number
Anthracite Grey	Z9801TWAY0
Brushed Bronze	Z9801TWBY0
Deep Black	Z9801TWDY0
Metallic Silver	Z9801TWMY0

SUMMARY ORDER...

TO ACHIEVE THIS INSTALLATION ORDER THE FOLLOWING SUITE OF MODEL CODES

To install a Compact Oven with a 14cm Warming Drawer and a 29cm Warming Drawer with Brushed Bronze trim order:

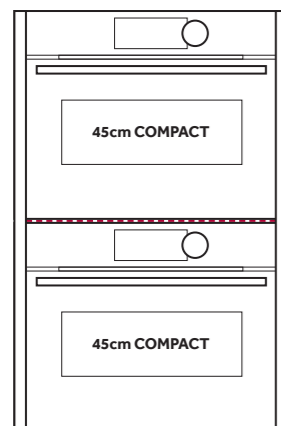
C29FY5CX0 Compact Oven
N29HA11Y1 14cm Warming Drawer
N39HA11Y1B 29cm Warming Drawer
Z990ABY0 Flex Design Trim

90cm Trim – 2x Compact Ovens

2x 45cm Compact ovens.

STEP 1

CHOOSE YOUR COMPLETED COMBINATION



STEP 2

SUITABLE APPLIANCES

CHOOSE YOUR COMPACT OVEN

Collection	Display Size	Compact Oven Type	Model Number
N90	Full Touch 3	Compact Oven with Intensive Steam	C29FY5CX0
N90	Full Touch 3	Compact Oven with Microwave	C29MY7MY0
N90	Full Touch 2	Compact Oven with Intensive Steam	C29FS3AY0
N90	Full Touch 2	Compact Oven with Microwave	C29MS7KY0
N70	Full Touch 1	Compact Oven with Microwave	C29MR21Y0B

PLUS REQUIRED PLATFORM

When installing an oven on top of an oven this requires an intermediate platform.

Intermediate Platform	Z11SZ00X1
-----------------------	-----------

STEP 3

CHOOSE YOUR FLEX DESIGN TRIM. TRIM INCLUDES – 2 X 90CM SIDE TRIMS AND 1 HANDLE

CHOOSE YOUR FLEX DESIGN TRIM

Finish	Model Number
Anthracite Grey	Z990BAY0
Brushed Bronze	Z990BBY0
Deep Black	Z990BDY0
Metallic Silver	Z990BMY0

OPTIONAL ACCESSORY

Twist Pad Flex® is an additional accessory for Full Touch 3 appliances.

Finish	Model Number
Anthracite Grey	Z9801TWAY0
Brushed Bronze	Z9801TWBY0
Deep Black	Z9801TWDY0
Metallic Silver	Z9801TWMY0

SUMMARY ORDER...

TO ACHIEVE THIS INSTALLATION ORDER THE FOLLOWING SUITE OF MODEL CODES

To order 2 Compact Ovens in Deep Black order:

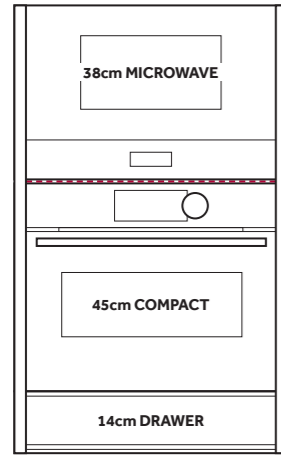
C29FS3AY0 Compact Oven
C29MS7KY0 Compact Oven
Z11SZ00X1 Intermediate Platform
Z990BDY0 Flex Design Trim

98cm Trim – Microwave, Compact Oven and Drawer

38cm Microwave installed with a 45cm compact oven and 14cm drawer combination.

STEP 1

CHOOSE YOUR COMPLETED COMBINATION



STEP 2

SUITABLE APPLIANCES

CHOOSE YOUR MICROWAVE OVEN

Collection	Display Size	Microwave Oven Type	Model Number
N70	Full Touch 1	38cm Microwave Oven - Left Hinged Door	NL9WR21Y1B
N70	Full Touch 1	38cm Microwave Oven - Right Hinged Door	NR9WR21Y1B

CHOOSE YOUR COMPACT OVEN

Collection	Display Size	Compact Oven Type	Model Number
N90	Full Touch 3	Compact Oven with Intensive Steam	C29FY5CX0
N90	Full Touch 3	Compact Oven with Microwave	C29MY7MY0
N90	Full Touch 2	Compact Oven with Intensive Steam	C29FS3AY0
N90	Full Touch 2	Compact Oven with Microwave	C29MS7KY0
N70	Full Touch 1	Compact Oven with Microwave	C29MR21Y0B

CHOOSE YOUR DRAWER

Collection	Drawer Type	Model Number
N90 / N70	14cm Vacuum Drawer	N29XA11Y1
N90 / N70	14cm Warming Drawer	N29HA11Y1B

PLUS REQUIRED PLATFORM

Intermediate Platform	Z11SZ00X1
-----------------------	-----------

STEP 3

CHOOSE YOUR FLEX DESIGN TRIM. TRIM INCLUDES – 2 X 98CM SIDE TRIMS AND 1 HANDLE

CHOOSE YOUR FLEX DESIGN TRIM

Finish	Model Number
Anthracite Grey	Z9098AY0
Brushed Bronze	Z9098BY0
Deep Black	Z9098DY0
Metallic Silver	Z9098MY0

OPTIONAL ACCESSORY

Twist Pad Flex® is an additional accessory for Full Touch 3 appliances.

Finish	Model Number
Anthracite Grey	Z9801TWAY0
Brushed Bronze	Z9801TWBY0
Deep Black	Z9801TWDY0
Metallic Silver	Z9801TWMY0

SUMMARY ORDER...

TO ACHIEVE THIS INSTALLATION ORDER THE FOLLOWING SUITE OF MODEL CODES

To install a 38cm microwave with a compact oven and 14cm drawer in Anthracite Grey order:

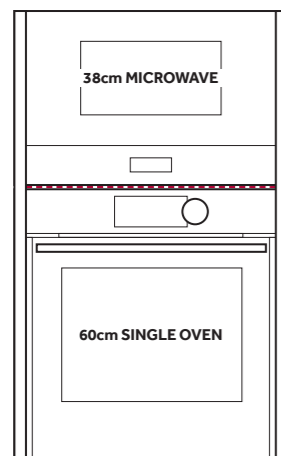
NL9WR21Y1B 38cm Microwave
C29MR21Y0B Compact Oven
N29HA11Y1B 14cm Warming Drawer
Z11SZ00X1 Intermediate Platform
Z9098AY0 Flex Design Trim

98cm Trim – Microwave and Single Oven

38cm Microwave installed with 60cm single oven combination.

STEP 1

CHOOSE YOUR COMPLETED COMBINATION



STEP 2

SUITABLE APPLIANCES

CHOOSE YOUR MICROWAVE OVEN

Collection	Display Size	Microwave Oven Type	Model Number
N70	Full Touch 1	38cm Microwave Oven - Left Hinged Door	NL9WR21Y1B
N70	Full Touch 1	38cm Microwave Oven - Right Hinged Door	NR9WR21Y1B

CHOOSE YOUR COMPACT OVEN

Collection	Display Size	Compact Oven Type	Model Number
N90	Full Touch 3	Compact Oven with Intensive Steam	C29FY5CX0
N90	Full Touch 3	Compact Oven with Microwave	C29MY7MY0
N90	Full Touch 2	Compact Oven with Intensive Steam	C29FS3AY0
N90	Full Touch 2	Compact Oven with Microwave	C29MS7KY0
N70	Full Touch 1	Compact Oven with Microwave	C29MR21Y0B

PLUS REQUIRED PLATFORM

Intermediate Platform	Z11SZ00X1
-----------------------	-----------

STEP 3

CHOOSE YOUR FLEX DESIGN TRIM. TRIM INCLUDES – 2 X 73.5CM SIDE TRIMS AND 1 HANDLE

CHOOSE YOUR FLEX DESIGN TRIM

Finish	Model Number
Anthracite Grey	Z9098AY0
Brushed Bronze	Z9098BY0
Deep Black	Z9098DY0
Metallic Silver	Z9098MY0

OPTIONAL ACCESSORY

Twist Pad Flex® is an additional accessory for Full Touch 3 appliances.

Finish	Model Number
Anthracite Grey	Z9801TWAY0
Brushed Bronze	Z9801TWBY0
Deep Black	Z9801TWDY0
Metallic Silver	Z9801TWMY0

SUMMARY ORDER...

TO ACHIEVE THIS INSTALLATION ORDER THE FOLLOWING SUITE OF MODEL CODES

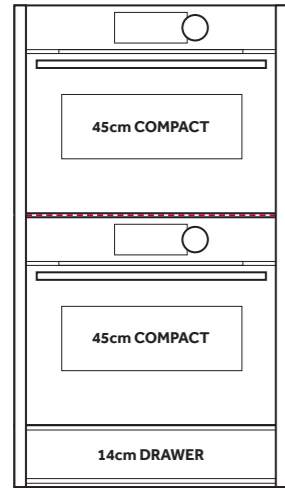
To order a 38cm Microwave and a Single Oven in Deep Black order:

NR9WR21Y1B 38cm Microwave
B59CR7KY0B Single Oven
Z11SZ00X1 Intermediate Platform
Z9098DY0 Flex Design Trim

105cm Trim – 2 x Compact Ovens and Drawer

2 x 45cm Compact ovens installed with a 14cm drawer combination.

STEP 1 CHOOSE YOUR COMPLETED COMBINATION



STEP 2 SUITABLE APPLIANCES

CHOOSE YOUR COMPACT OVEN

Collection	Display Size	Compact Oven Type	Model Number
N90	Full Touch 3	Compact Oven with Intensive Steam	C29FY5CX0
N90	Full Touch 3	Compact Oven with Microwave	C29MY7MY0
N90	Full Touch 2	Compact Oven with Intensive Steam	C29FS3AY0
N90	Full Touch 2	Compact Oven with Microwave	C29MS7KY0
N70	Full Touch 1	Compact Oven with Microwave	C29MR21Y0B

CHOOSE YOUR DRAWER

Collection	Drawer Type	Model Number
N90 / N70	14cm Vacuum Drawer	N29XA11Y1
N90 / N70	14cm Warming Drawer	N29HA11Y1B

PLUS REQUIRED PLATFORM

Intermediate Platform	Z11SZ00X1
-----------------------	-----------

STEP 3

CHOOSE YOUR FLEX DESIGN TRIM. TRIM INCLUDES – 2 X 105CM SIDE TRIMS AND 2 HANDLES

CHOOSE YOUR FLEX DESIGN TRIM

Finish	Model Number
Anthracite Grey	Z9105AY0
Brushed Bronze	Z9105BY0
Deep Black	Z9105DY0
Metallic Silver	Z9105MY0

OPTIONAL ACCESSORY

Twist Pad Flex® is an additional accessory for Full Touch 3 appliances.

Finish	Model Number
Anthracite Grey	Z9801TWAY0
Brushed Bronze	Z9801TWBY0
Deep Black	Z9801TWDY0
Metallic Silver	Z9801TWMY0

SUMMARY ORDER...

TO ACHIEVE THIS INSTALLATION ORDER THE FOLLOWING SUITE OF MODEL CODES

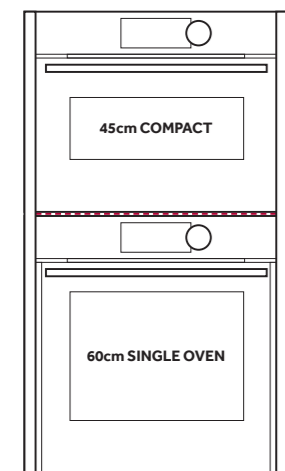
To install 2 compact ovens and a 14cm warming drawer in Deep Black order:

C29FY5CX0 Compact Oven
C29MY7MY0 Compact Oven
N29HA11Y1B 14cm Warming Drawer
Z11SZ00X1 Intermediate Platform
Z9105DY0 Flex Design Trim

105cm Trim – Compact Oven and Single Oven

45cm Compact oven installed with 60cm single oven combination.

STEP 1 CHOOSE YOUR COMPLETED COMBINATION



STEP 2 SUITABLE APPLIANCES

CHOOSE YOUR COMPACT OVEN

Collection	Display Size	Compact Oven Type	Model Number
N90	Full Touch 3	Compact Oven with Intensive Steam	C29FY5CX0
N90	Full Touch 3	Compact Oven with Microwave	C29MY7MY0
N90	Full Touch 2	Compact Oven with Intensive Steam	C29FS3AY0
N90	Full Touch 2	Compact Oven with Microwave	C29MS7KY0
N90	Full Touch 1	Compact Oven with Microwave	C29MR21Y0B

CHOOSE YOUR SINGLE OVEN

Collection	Display Size	Compact Oven Type	Model Number
N90	Full Touch 3	Slide and Hide® Single Pyrolytic Oven with Vario Steam®	B69VY7MY0
N90	Full Touch 3	Slide and Hide® Single Pyrolytic Oven	B69CY7MY0
N90	Full Touch 3	Slide and Hide® Single Oven with Intensive Steam	B69FY5CX0
N90	Full Touch 2	Slide and Hide® Single Pyrolytic Oven with Vario Steam®	B69VS7MY0A
N90	Full Touch 2	Slide and Hide® Single Pyrolytic Oven	B69CS7MY0B
N90	Full Touch 2	Slide and Hide® Single Oven with Intensive Steam	B69FS5CY0A
N70	Full Touch 1	Slide and Hide® Single Pyrolytic Oven	B59CR7KY0B

PLUS REQUIRED PLATFORM

Intermediate Platform	Z11SZ00X1
-----------------------	-----------

STEP 3

CHOOSE YOUR FLEX DESIGN TRIM. TRIM INCLUDES – 2 X 105 SIDE TRIMS AND 2 X HANDLES

CHOOSE YOUR FLEX DESIGN TRIM

Finish	Model Number
Anthracite Grey	Z9105AY0
Brushed Bronze	Z9105BY0
Deep Black	Z9105DY0
Metallic Silver	Z9105MY0

OPTIONAL ACCESSORY

Twist Pad Flex® is an additional accessory for Full Touch 3 appliances.

Finish	Model Number
Anthracite Grey	Z9801TWAY0
Brushed Bronze	Z9801TWBY0
Deep Black	Z9801TWDY0
Metallic Silver	Z9801TWMY0

SUMMARY ORDER...

TO ACHIEVE THIS INSTALLATION ORDER THE FOLLOWING SUITE OF MODEL CODES

To install a compact oven with a single oven order in Brushed Bronze order:

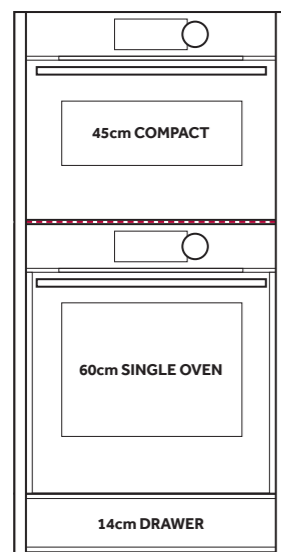
C29FS3AY0 Compact Oven
B69CS7MY0B Single Oven
Z11SZ00X1 Intermediate Platform
Z9105BY0 Flex Design Trim

120cm A Trim – Compact Oven, Single Oven and Drawer

A Compact oven with a single oven and a 14cm drawer.

STEP 1

CHOOSE YOUR COMPLETED COMBINATION



STEP 2

SUITABLE APPLIANCES

CHOOSE YOUR COMPACT OVEN			
Collection	Display Size	Compact Oven Type	Model Number
N90	Full Touch 3	Compact Oven with Intensive Steam	C29FY5CX0
N90	Full Touch 3	Compact Oven with Microwave	C29MY7MY0
N90	Full Touch 2	Compact Oven with Intensive Steam	C29FS3AY0
N90	Full Touch 2	Compact Oven with Microwave	C29MS7KY0
N90	Full Touch 1	Compact Oven with Microwave	C29MR21Y0B

CHOOSE YOUR SINGLE OVEN			
Collection	Display Size	Compact Oven Type	Model Number
N90	Full Touch 3	Slide and Hide® Single Pyrolytic Oven with Vario Steam®	B69VY7MY0
N90	Full Touch 3	Slide and Hide® Single Pyrolytic Oven	B69CY7MY0
N90	Full Touch 3	Slide and Hide® Single Oven with Intensive Steam	B69FY5CX0
N90	Full Touch 2	Slide and Hide® Single Pyrolytic Oven with Vario Steam®	B69VS7MY0A
N90	Full Touch 2	Slide and Hide® Single Pyrolytic Oven	B69CS7MY0B
N90	Full Touch 2	Slide and Hide® Single Oven with Intensive Steam	B69FS5CY0A
N70	Full Touch 1	Slide and Hide® Single Pyrolytic Oven	B59CR7KY0B

CHOOSE YOUR DRAWER		
Collection	Drawer Type	Model Number
N90 / N70	14cm Vacuum Drawer	N29XA11Y1
N90 / N70	14cm Warming Drawer	N29HA11Y1B

PLUS REQUIRED PLATFORM

Intermediate Platform	Z11SZ00X1
-----------------------	-----------

STEP 3

CHOOSE YOUR FLEX DESIGN TRIM. TRIM INCLUDES – 2 X 120CM SIDE TRIMS AND 2 HANDLES

CHOOSE YOUR FLEX DESIGN TRIM	
Finish	Model Number
Anthracite Grey	Z912AAAY0
Brushed Bronze	Z912ABY0
Deep Black	Z912ADY0
Metallic Silver	Z912AMY0

OPTIONAL ACCESSORY

Twist Pad Flex® is an additional accessory for Full Touch 3 appliances.

Finish	Model Number
Anthracite Grey	Z9801TWAY0
Brushed Bronze	Z9801TWBY0
Deep Black	Z9801TWDY0
Metallic Silver	Z9801TWMY0

SUMMARY ORDER...

TO ACHIEVE THIS INSTALLATION ORDER THE FOLLOWING SUITE OF MODEL CODES

To install a Compact oven, a Single oven and a 14cm Warming drawer in Brushed Bronze order:

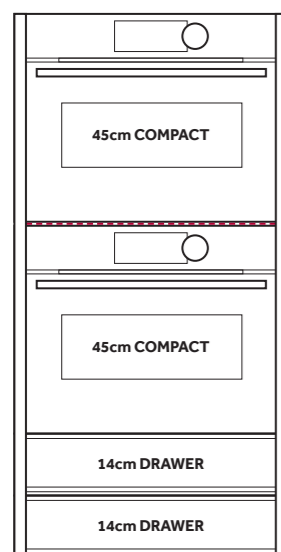
C29MY7MY0 Compact Oven
B69FY5CX0 Single Oven
N29XA11Y1 14cm Vacuum Drawer
Z11SZ00X1 Intermediate Platform
Z912ABY0 Flex Design Trim

120cm A Trim – 2 x Compact Oven and 2 x Drawer

2 x Compact oven installed with 2 x 14cm drawer combination.

STEP 1

CHOOSE YOUR COMPLETED COMBINATION



STEP 2

SUITABLE APPLIANCES

CHOOSE YOUR COMPACT OVEN			
Collection	Display Size	Compact Oven Type	Model Number
N90	Full Touch 3	Compact Oven with Intensive Steam	C29FY5CX0
N90	Full Touch 3	Compact Oven with Microwave	C29MY7MY0
N90	Full Touch 2	Compact Oven with Intensive Steam	C29FS3AY0
N90	Full Touch 2	Compact Oven with Microwave	C29MS7KY0
N70	Full Touch 1	Compact Oven with Microwave	C29MR21Y0B

CHOOSE YOUR DRAWER		
Collection	Drawer Type	Model Number
N90 / N70	14cm Vacuum Drawer	N29XA11Y1
N90 / N70	14cm Warming Drawer	N29HA11Y1B

PLUS REQUIRED PLATFORM

Intermediate Platform	Z11SZ00X1
-----------------------	-----------

STEP 3

CHOOSE YOUR FLEX DESIGN TRIM. TRIM INCLUDES – 2 X 120CM SIDE TRIMS AND 2 HANDLES

CHOOSE YOUR FLEX DESIGN TRIM	
Finish	Model Number
Anthracite Grey	Z912AAAY0
Brushed Bronze	Z912ABY0
Deep Black	Z912ADY0
Metallic Silver	Z912AMY0

OPTIONAL ACCESSORY

Twist Pad Flex® is an additional accessory for Full Touch 3 appliances.

Finish	Model Number
Anthracite Grey	Z9801TWAY0
Brushed Bronze	Z9801TWBY0
Deep Black	Z9801TWDY0
Metallic Silver	Z9801TWMY0

SUMMARY ORDER...

TO ACHIEVE THIS INSTALLATION ORDER THE FOLLOWING SUITE OF MODEL CODES

2 x Compact Ovens and 2 x 14cm Drawers in Deep Black order:

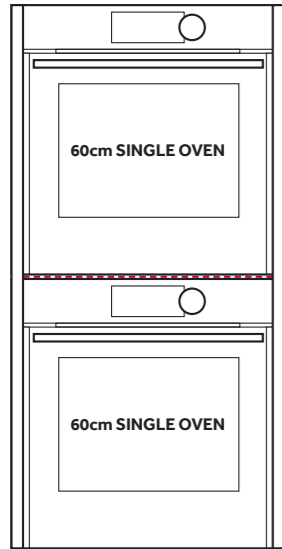
C29FS3AY0 Compact Oven
C29MS7KY0 Compact Oven
N29HA11Y1B 14cm Warming Drawer
N29XA11Y1 14cm Vacuum Drawer
Z11SZ00X1 Intermediate Platform
Z912ADY0 Flex Design Trim

In this installation the Vacuum drawer must always be installed at the bottom of the stack

120cm B Trim – 2 x Single Ovens

2x Single ovens installed.

STEP 1
CHOOSE YOUR COMPLETED COMBINATION



STEP 2
SUITABLE APPLIANCES

CHOOSE YOUR SINGLE OVEN			
Collection	Display Size	Compact Oven Type	Model Number
N90	Full Touch 3	Slide and Hide® Single Pyrolytic Oven with Vario Steam®	B69VY7MY0
N90	Full Touch 3	Slide and Hide® Single Pyrolytic Oven	B69CY7MY0
N90	Full Touch 3	Slide and Hide® Single Oven with Intensive Steam	B69FY5CX0
N90	Full Touch 2	Slide and Hide® Single Pyrolytic Oven with Vario Steam®	B69VS7MY0A
N90	Full Touch 2	Slide and Hide® Single Pyrolytic Oven	B69CS7MY0B
N90	Full Touch 2	Slide and Hide® Single Oven with Intensive Steam	B69FS5CY0A
N70	Full Touch 1	Slide and Hide® Single Pyrolytic Oven	B59CR7KY0B

PLUS REQUIRED PLATFORM	
Intermediate Platform	Z11SZ00X1

STEP 3
CHOOSE YOUR FLEX DESIGN TRIM.
TRIM INCLUDES – 2 X 120CM SIDE TRIMS AND 2 X HANDLES

CHOOSE YOUR FLEX DESIGN TRIM	
Finish	Model Number
Anthracite Grey	Z912BAY0
Brushed Bronze	Z912BBY0
Deep Black	Z912BDY0
Metallic Silver	Z912BMY0

OPTIONAL ACCESSORY

Twist Pad Flex® is an additional accessory for Full Touch 3 appliances.

Finish	Model Number
Anthracite Grey	Z9801TWAY0
Brushed Bronze	Z9801TWBY0
Deep Black	Z9801TWDY0
Metallic Silver	Z9801TWMY0

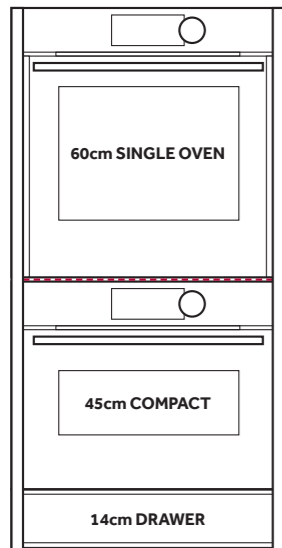
SUMMARY ORDER...
TO ACHIEVE THIS INSTALLATION ORDER THE FOLLOWING SUITE OF MODEL CODES

To install 2 x Single Ovens with Metallic Silver Trim order:
B69VS7MY0A Single Oven
B69CS7MY0B Single Oven
Z912BMY0 Intermediate Platform
Z912AMY0 Flex Design Trim

120cm B Trim – Single Oven, Compact Oven and Drawer

Single oven with a compact oven and a 14cm drawer.

STEP 1
CHOOSE YOUR COMPLETED COMBINATION



STEP 2
SUITABLE APPLIANCES

CHOOSE YOUR SINGLE OVEN			
Collection	Display Size	Compact Oven Type	Model Number
N90	Full Touch 3	Slide and Hide® Single Pyrolytic Oven with Vario Steam®	B69VY7MY0
N90	Full Touch 3	Slide and Hide® Single Pyrolytic Oven	B69CY7MY0
N90	Full Touch 3	Slide and Hide® Single Oven with Intensive Steam	B69FY5CX0
N90	Full Touch 2	Slide and Hide® Single Pyrolytic Oven with Vario Steam®	B69VS7MY0A
N90	Full Touch 2	Slide and Hide® Single Pyrolytic Oven	B69CS7MY0B
N90	Full Touch 2	Slide and Hide® Single Oven with Intensive Steam	B69FS5CY0A
N70	Full Touch 1	Slide and Hide® Single Pyrolytic Oven	B59CR7KY0B

CHOOSE YOUR COMPACT OVEN			
Collection	Display Size	Compact Oven Type	Model Number
N90	Full Touch 3	Compact Oven with Intensive Steam	C29FY5CX0
N90	Full Touch 3	Compact Oven with Microwave	C29MY7MY0
N90	Full Touch 2	Compact Oven with Intensive Steam	C29FS3AY0
N90	Full Touch 2	Compact Oven with Microwave	C29MS7KY0
N90	Full Touch 1	Compact Oven with Microwave	C29MR21Y0B

CHOOSE YOUR DRAWER		
Collection	Drawer Type	Model Number
N90 / N70	14cm Vacuum Drawer	N29XA11Y1
N90 / N70	14cm Warming Drawer	N29HA11Y1B

PLUS REQUIRED PLATFORM	
Intermediate Platform	Z11SZ00X1

STEP 3
CHOOSE YOUR FLEX DESIGN TRIM.
TRIM INCLUDES – 2 X 120CM SIDE TRIMS AND 2 X HANDLES

CHOOSE YOUR FLEX DESIGN TRIM	
Finish	Model Number
Anthracite Grey	Z912BAY0
Brushed Bronze	Z912BBY0
Deep Black	Z912BDY0
Metallic Silver	Z912BMY0

OPTIONAL ACCESSORY

Twist Pad Flex® is an additional accessory for Full Touch 3 appliances.

Finish	Model Number
Anthracite Grey	Z9801TWAY0
Brushed Bronze	Z9801TWBY0
Deep Black	Z9801TWDY0
Metallic Silver	Z9801TWMY0

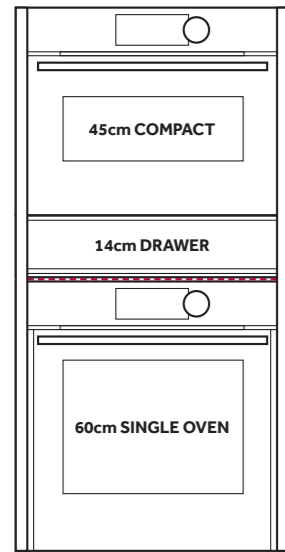
SUMMARY ORDER...
TO ACHIEVE THIS INSTALLATION ORDER THE FOLLOWING SUITE OF MODEL CODES

To install a Single Oven, a compact oven with a 14cm Drawer in Anthracite Grey order:
B69CY7MY0 Single Oven
C29MY7MY0 Compact Oven
N29HA11Y1B 14cm Warming Drawer
Z11SZ00X1 Intermediate Platform
Z912BAY0 Flex Design Trim

120cm B Trim – Compact, Drawer and Single Oven

Compact oven installed with 14cm drawer and single oven combination.

STEP 1 CHOOSE YOUR COMPLETED COMBINATION



STEP 2 SUITABLE APPLIANCES

CHOOSE YOUR COMPACT OVEN

Collection	Display Size	Compact Oven Type	Model Number
N90	Full Touch 3	Compact Oven with Intensive Steam	C29FY5CX0
N90	Full Touch 3	Compact Oven with Microwave	C29MY7MY0
N90	Full Touch 2	Compact Oven with Intensive Steam	C29FS3AY0
N90	Full Touch 2	Compact Oven with Microwave	C29MS7KY0
N70	Full Touch 1	Compact Oven with Microwave	C29MR21Y0B

CHOOSE YOUR SINGLE OVEN

Collection	Display Size	Compact Oven Type	Model Number
N90	Full Touch 3	Slide and Hide® Single Pyrolytic Oven with Vario Steam®	B69VY7MY0
N90	Full Touch 3	Slide and Hide® Single Pyrolytic Oven	B69CY7MY0
N90	Full Touch 3	Slide and Hide® Single Oven with Intensive Steam	B69FY5CX0
N90	Full Touch 2	Slide and Hide® Single Pyrolytic Oven with Vario Steam®	B69VS7MY0A
N90	Full Touch 2	Slide and Hide® Single Pyrolytic Oven	B69CS7MY0B
N90	Full Touch 2	Slide and Hide® Single Oven with Intensive Steam	B69FS5CY0A
N70	Full Touch 1	Slide and Hide® Single Pyrolytic Oven	B59CR7KY0B

CHOOSE YOUR DRAWER

Collection	Drawer Type	Model Number
N90 / N70	14cm Warming Drawer	N29HA11Y1B

PLUS REQUIRED PLATFORM

Intermediate Platform	Z11SZ00X1
-----------------------	-----------

STEP 3

CHOOSE YOUR FLEX DESIGN TRIM. TRIM INCLUDES – 2 X 120CM SIDE TRIMS AND 2 X HANDLES

CHOOSE YOUR FLEX DESIGN TRIM

Finish	Model Number
Anthracite Grey	Z912BAY0
Brushed Bronze	Z912BBY0
Deep Black	Z912BDY0
Metallic Silver	Z912BMY0

OPTIONAL ACCESSORY

Twist Pad Flex® is an additional accessory for Full Touch 3 appliances.

Finish	Model Number
Anthracite Grey	Z9801TWAY0
Brushed Bronze	Z9801TWBY0
Deep Black	Z9801TWDY0
Metallic Silver	Z9801TWMY0

SUMMARY ORDER...

TO ACHIEVE THIS INSTALLATION ORDER THE FOLLOWING SUITE OF MODEL CODES

To install a compact oven, a 14cm drawer, a single oven in Deep Black order:

C29MR21Y0B Compact Oven
N29HA11Y1B 14cm Warming Drawer

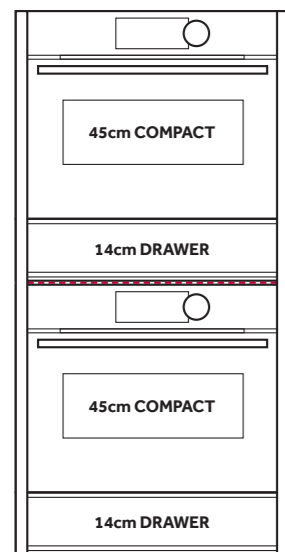
B59CR7KY0B Single Oven
Z11SZ00X1 Intermediate Platform

Z912BDY0 Flex Design Trim

120cm B Trim – 2 x Compact and 2 x Drawer

2 x Compact ovens installed with 2 x 14cm drawers.

STEP 1 CHOOSE YOUR COMPLETED COMBINATION



STEP 2 SUITABLE APPLIANCES

CHOOSE YOUR COMPACT OVEN

Collection	Display Size	Compact Oven Type	Model Number
N90	Full Touch 3	Compact Oven with Intensive Steam	C29FY5CX0
N90	Full Touch 3	Compact Oven with Microwave	C29MY7MY0
N90	Full Touch 2	Compact Oven with Intensive Steam	C29FS3AY0
N90	Full Touch 2	Compact Oven with Microwave	C29MS7KY0
N70	Full Touch 1	Compact Oven with Microwave	C29MR21Y0B

CHOOSE YOUR DRAWER

Collection	Drawer Type	Model Number
N90 / N70	14cm Vacuum Drawer	N29XA11Y1
N90 / N70	14cm Warming Drawer	N29HA11Y1B

PLUS REQUIRED PLATFORM

Intermediate Platform	Z11SZ00X1
-----------------------	-----------

STEP 3

CHOOSE YOUR FLEX DESIGN TRIM. TRIM INCLUDES – 2 X 120CM SIDE TRIMS AND 2 HANDLES

CHOOSE YOUR FLEX DESIGN TRIM

Finish	Model Number
Anthracite Grey	Z912BAY0
Brushed Bronze	Z912BBY0
Deep Black	Z912BDY0
Metallic Silver	Z912BMY0

OPTIONAL ACCESSORY

Twist Pad Flex® is an additional accessory for Full Touch 3 appliances.

Finish	Model Number
Anthracite Grey	Z9801TWAY0
Brushed Bronze	Z9801TWBY0
Deep Black	Z9801TWDY0
Metallic Silver	Z9801TWMY0

SUMMARY ORDER...

TO ACHIEVE THIS INSTALLATION ORDER THE FOLLOWING SUITE OF MODEL CODES

To install a Compact oven and a 14cm drawer on top of another compact oven and a 14cm drawer in Brushed Bronze order:

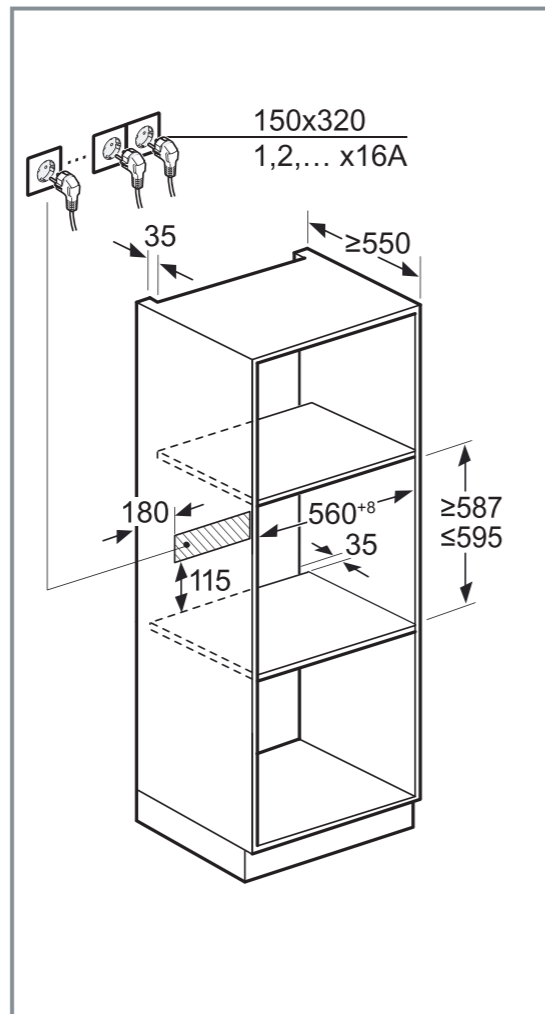
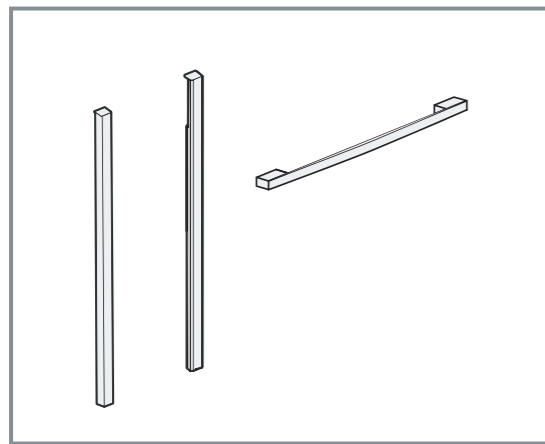
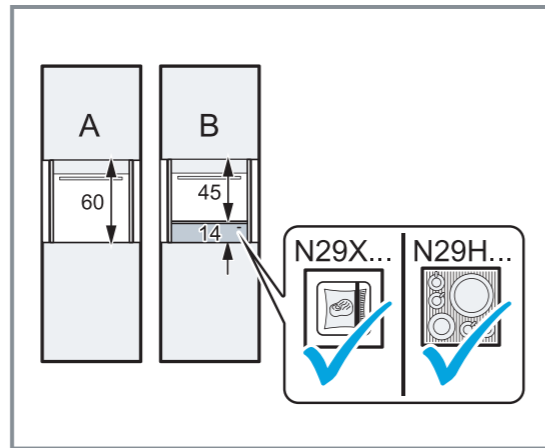
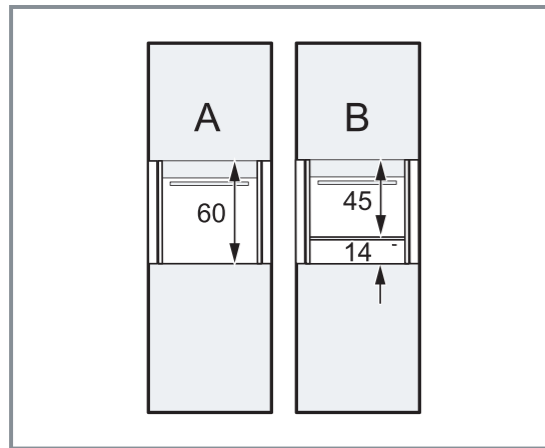
C29MS7KY0 Compact Oven
N29HA11Y1B 14cm Warming Drawer

C29FS3AY0 Compact Oven
N29XA11Y1 14cm Vacuum Drawer

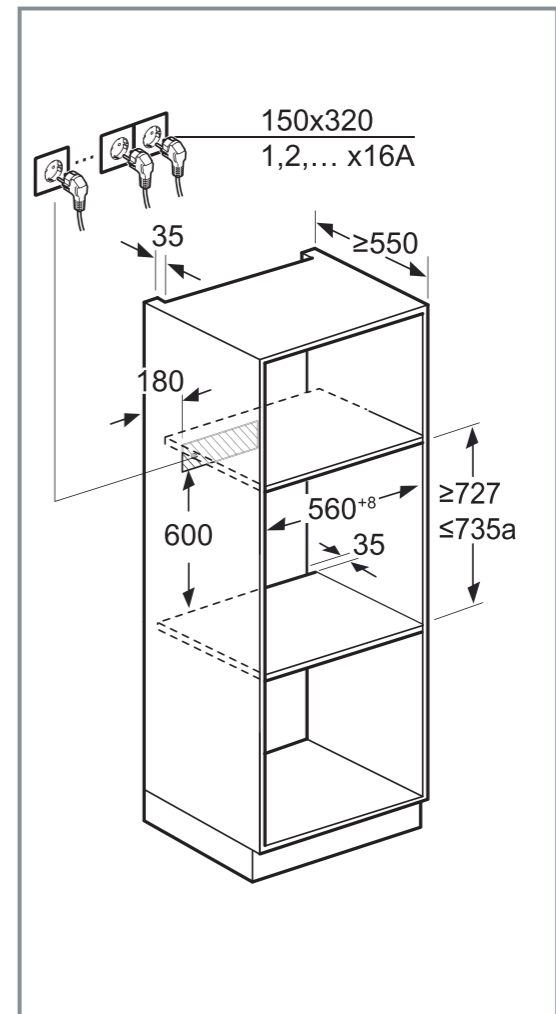
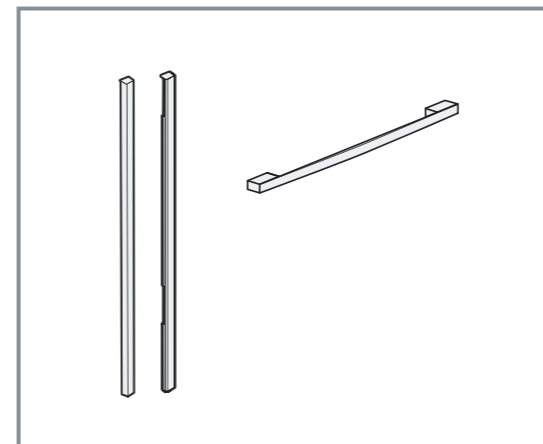
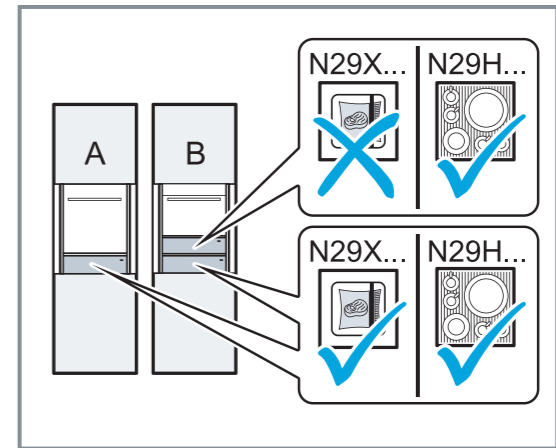
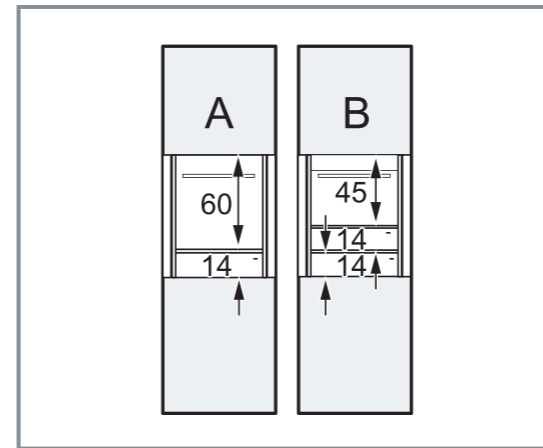
Z11SZ00X1 Intermediate Platform
Z912BBY0 Flex Design Trim

How to install your appliances

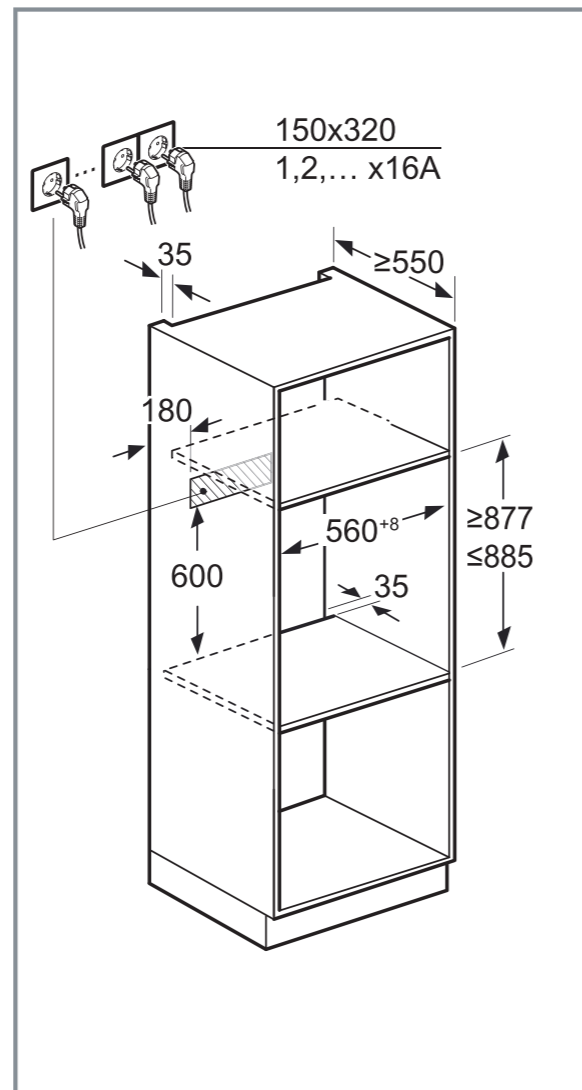
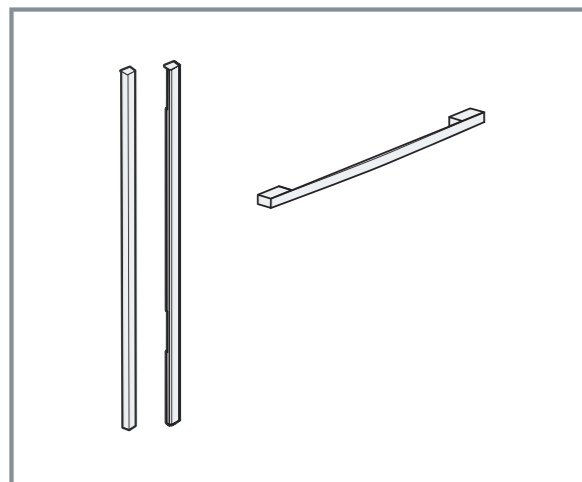
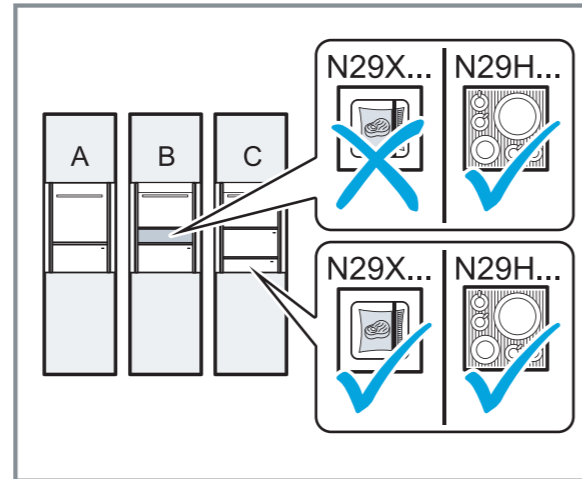
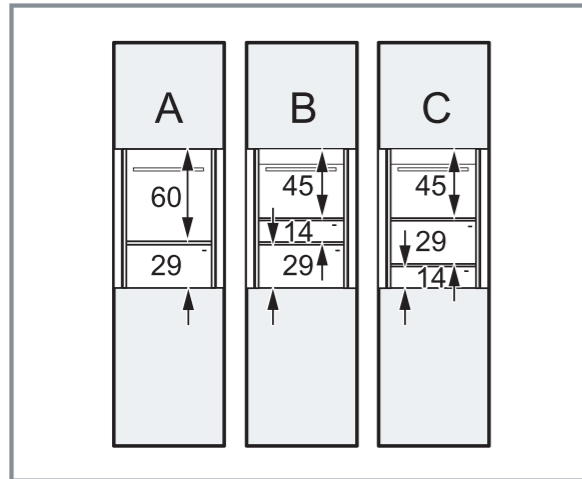
60cm Seamless Combination



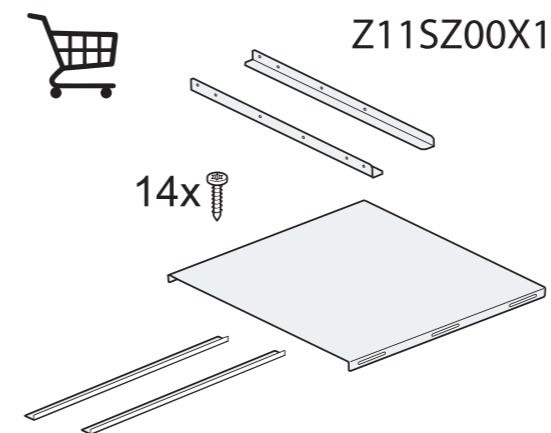
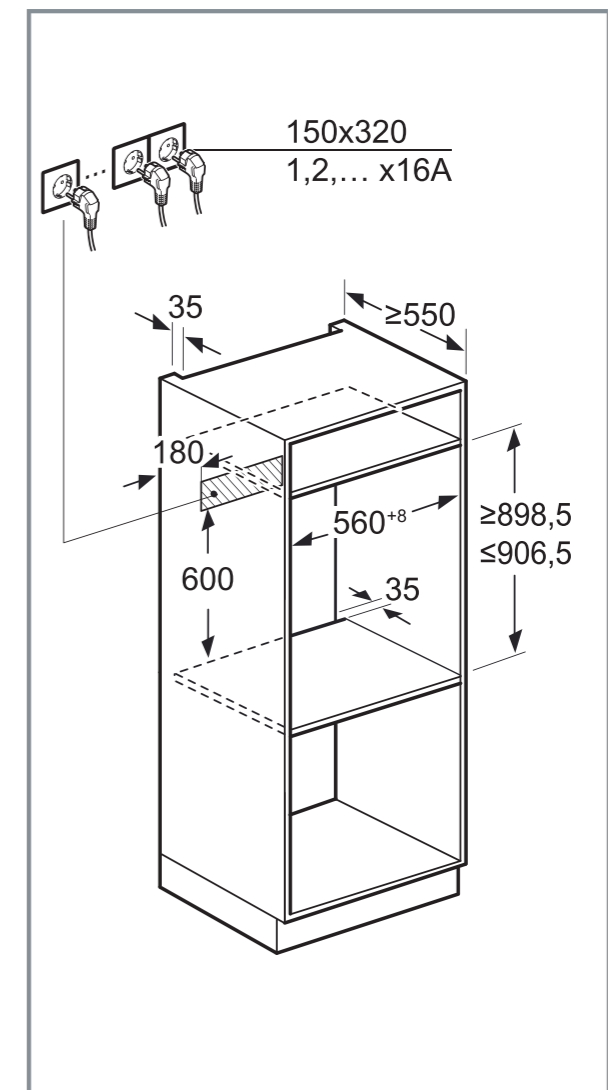
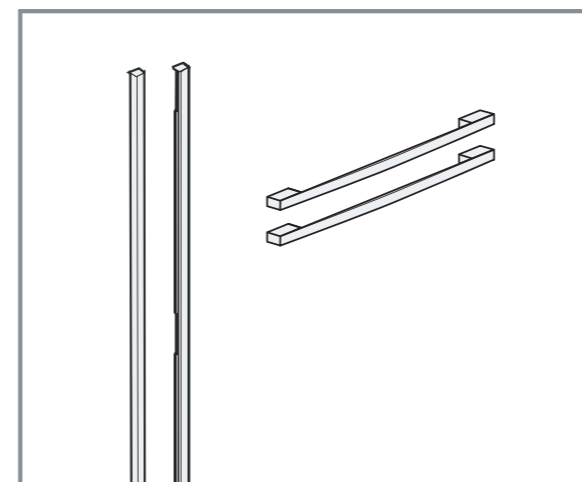
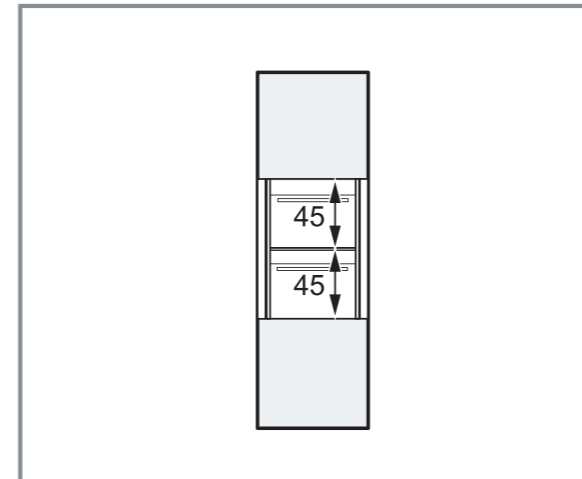
75cm Seamless Combination



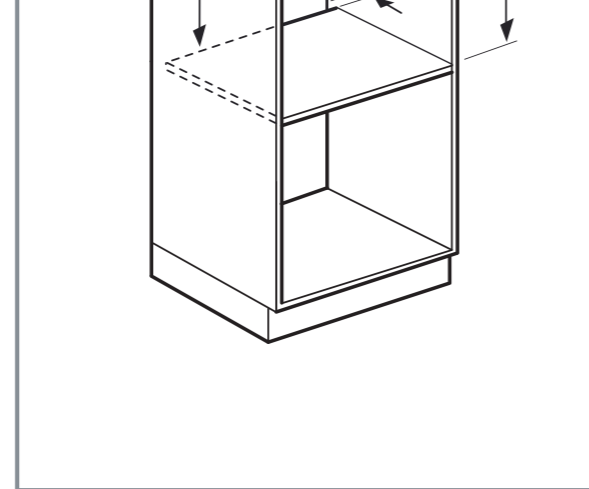
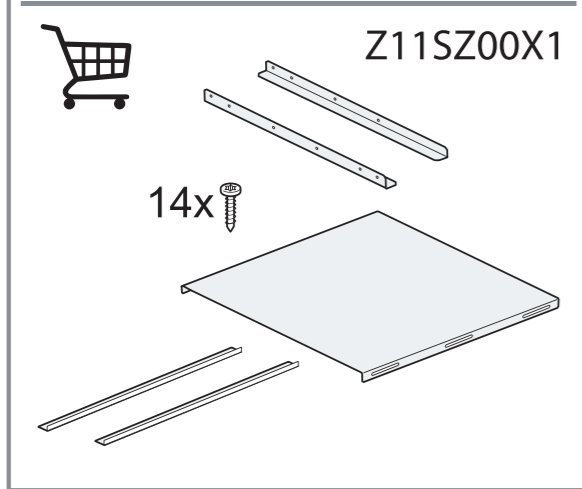
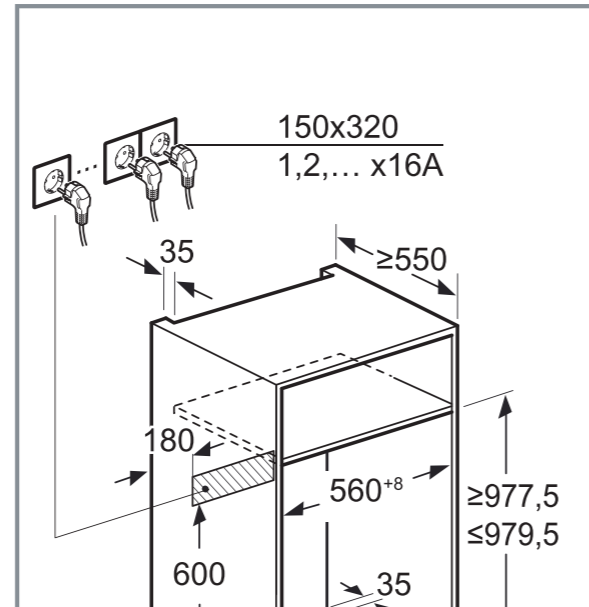
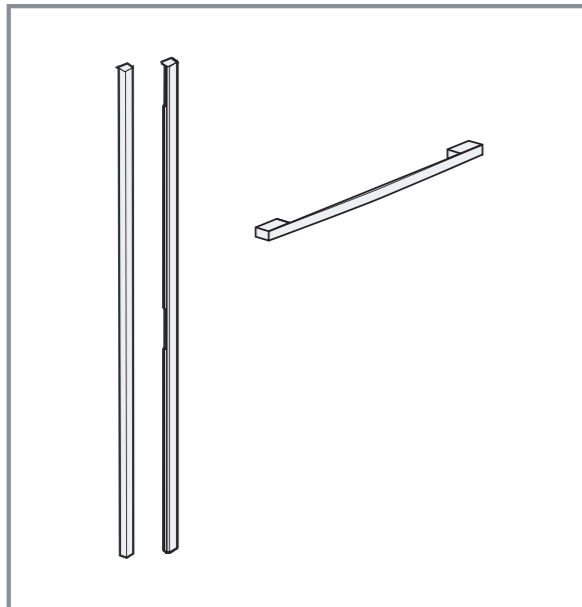
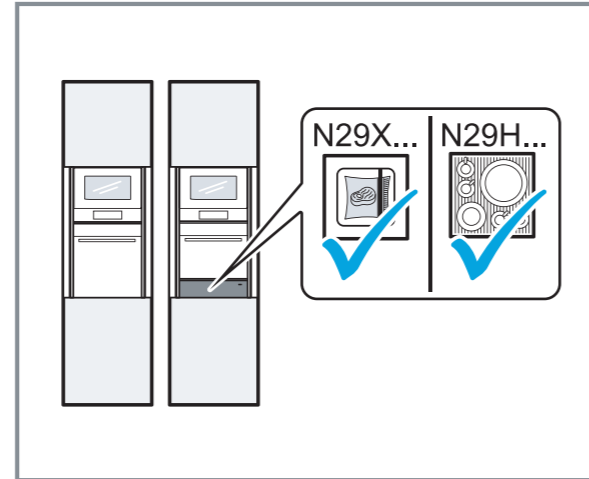
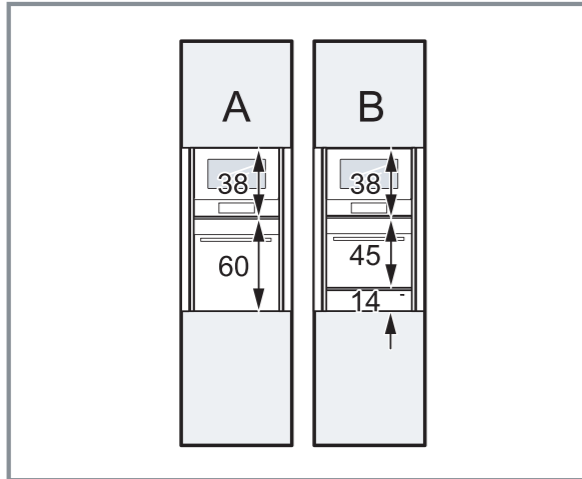
88cm Seamless Combination



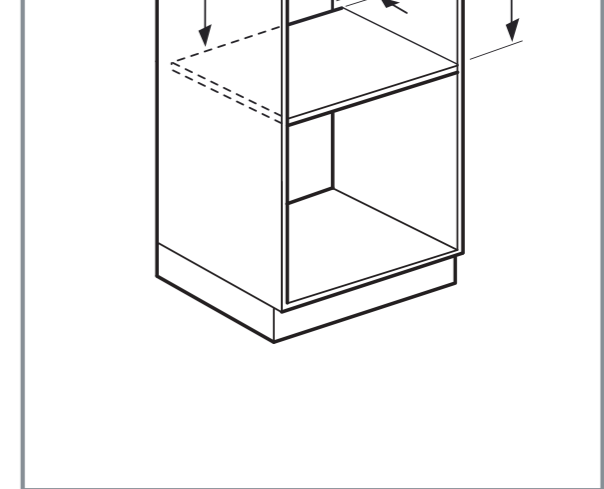
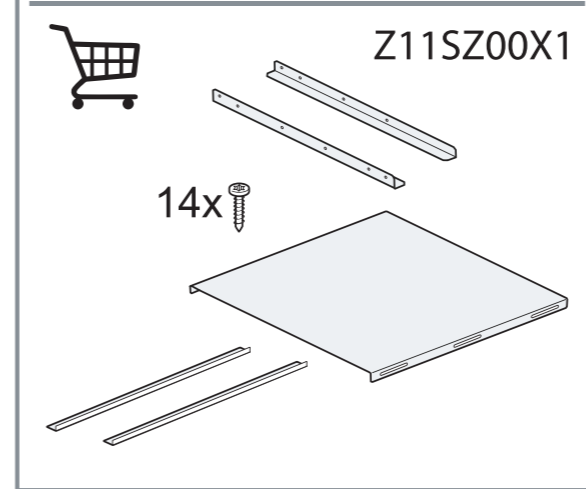
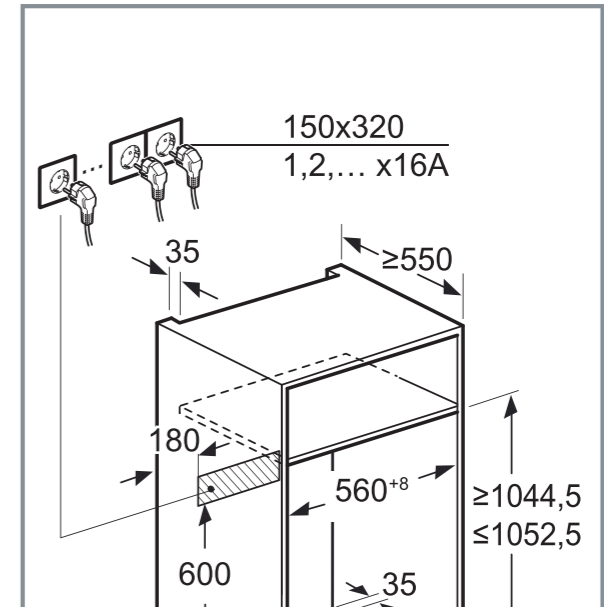
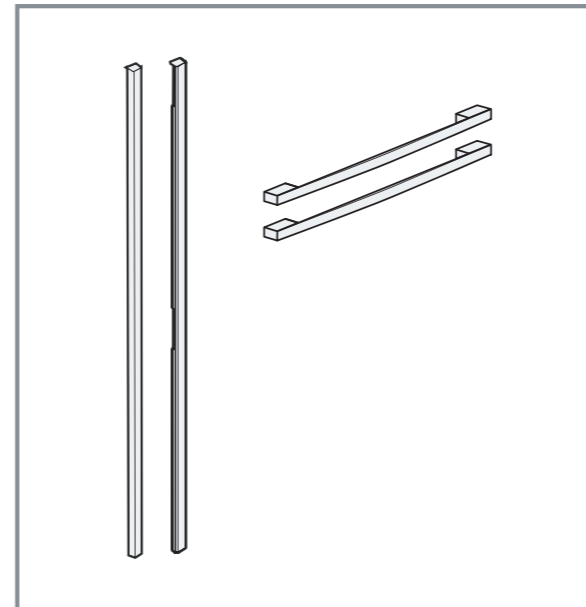
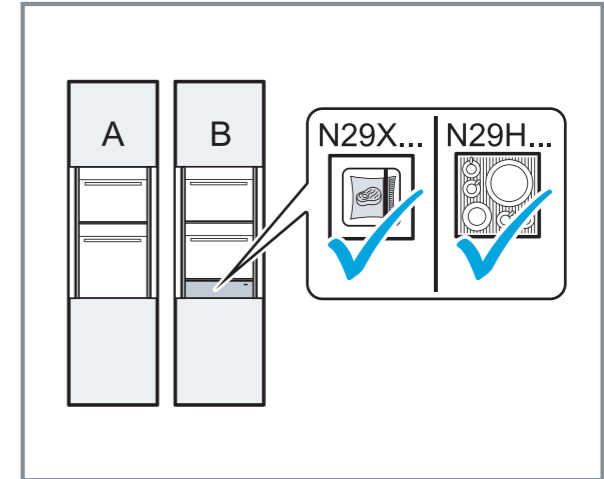
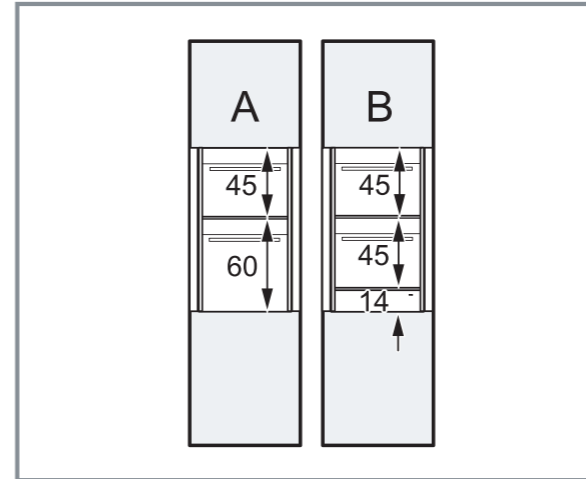
90cm Seamless Combination



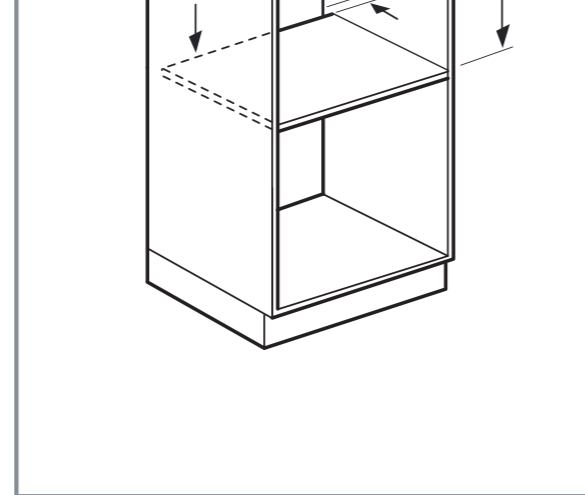
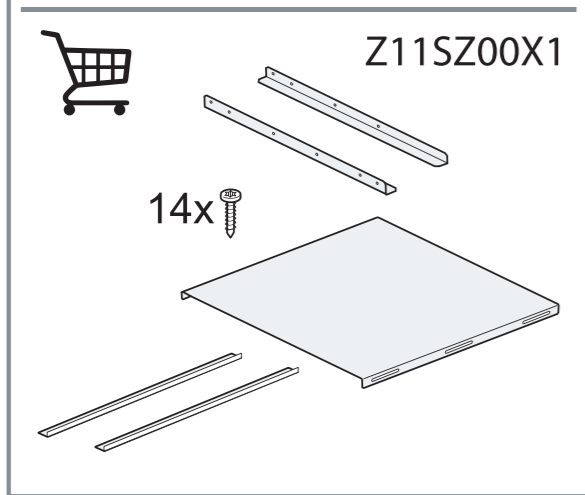
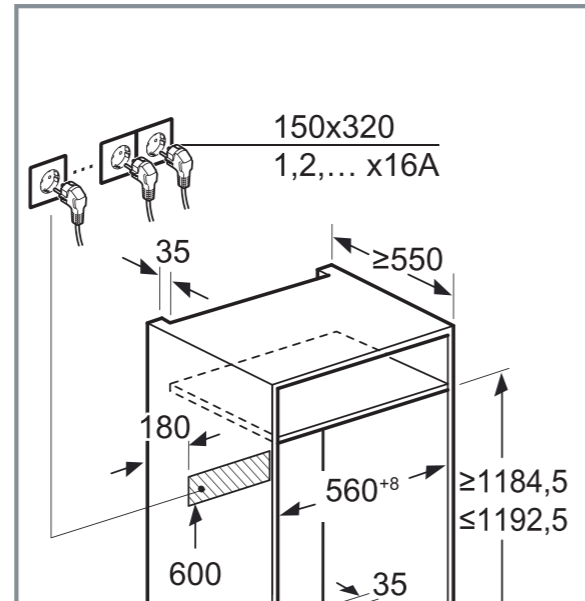
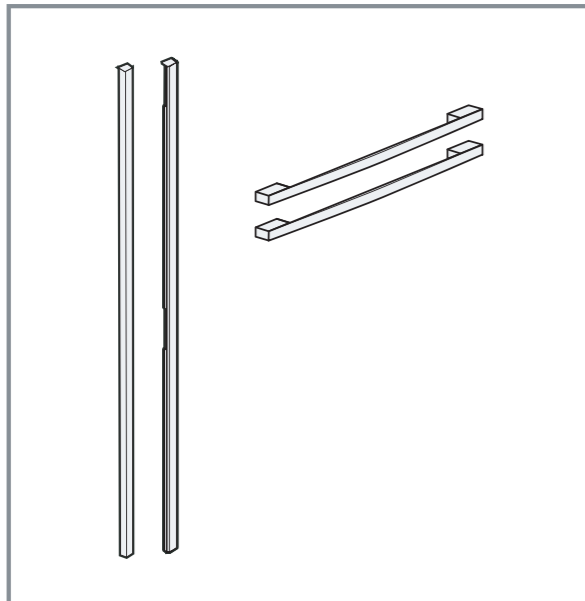
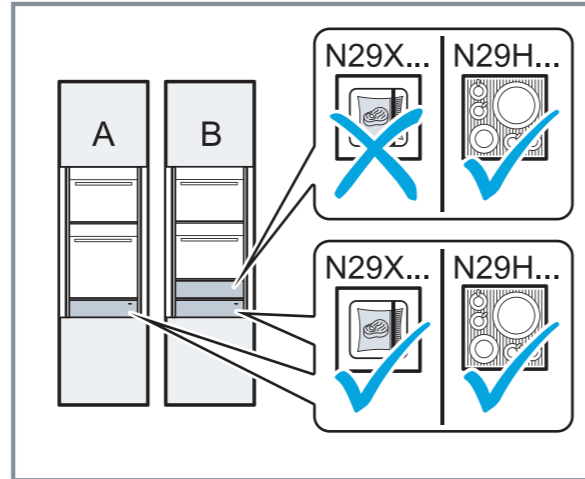
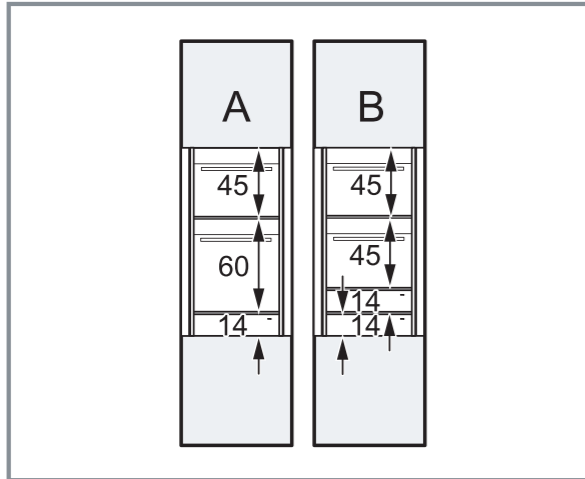
98cm Seamless Combination



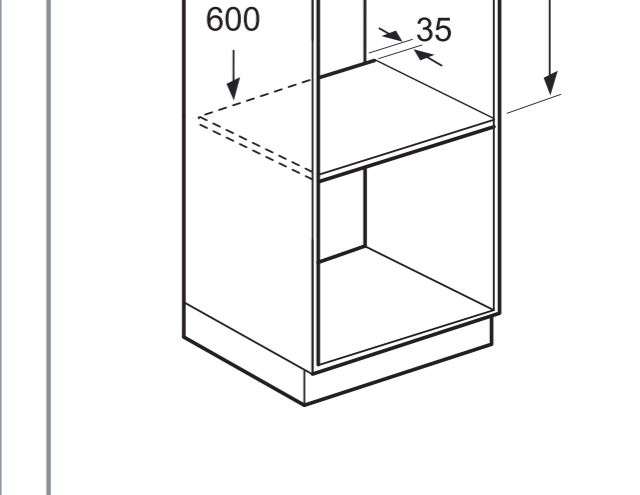
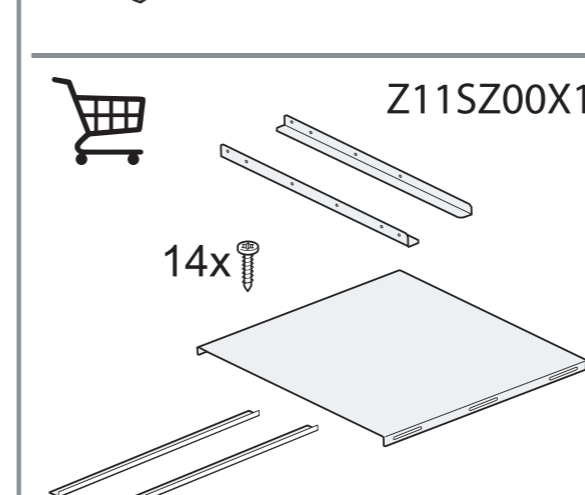
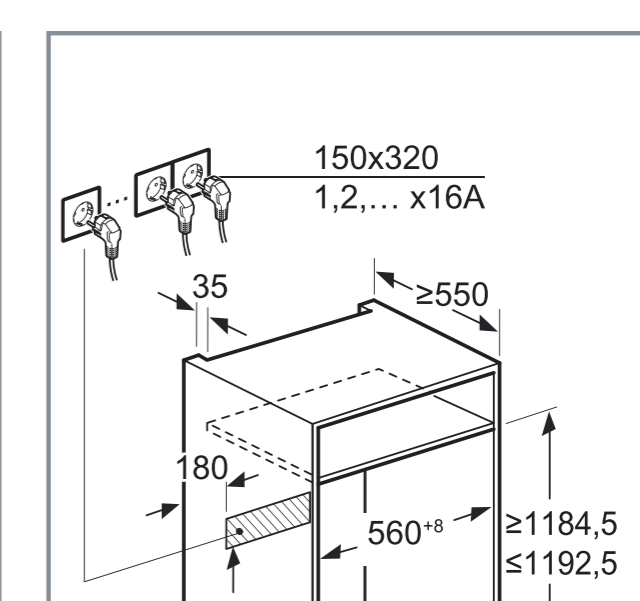
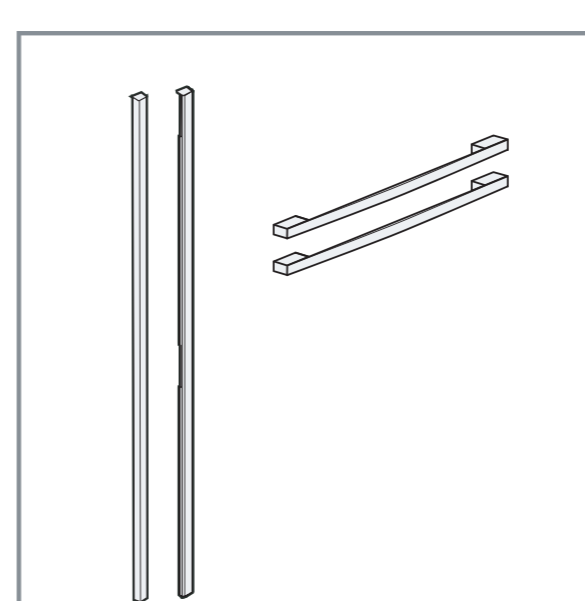
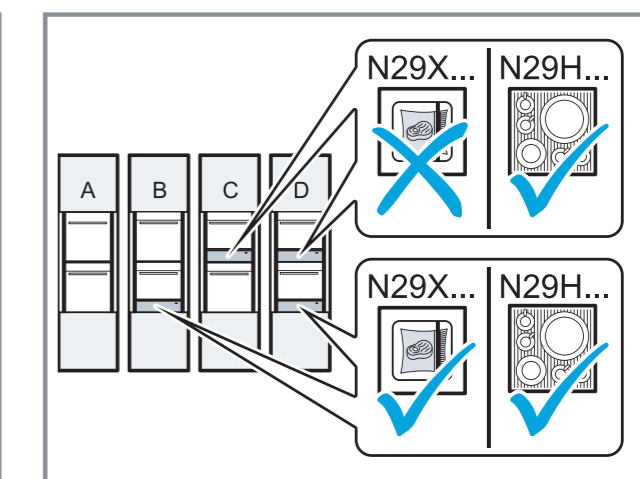
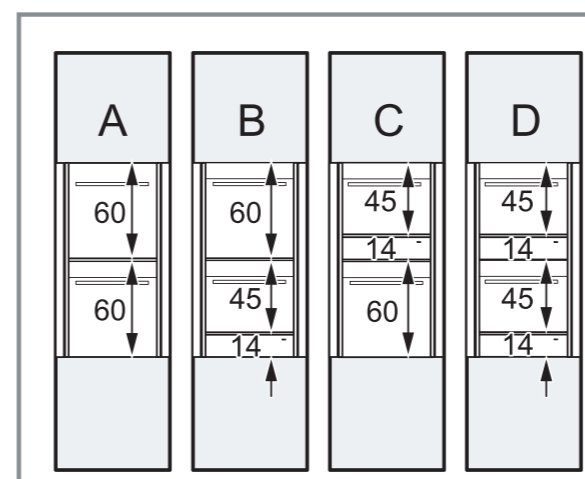
105cm Seamless Combination



120cm A Seamless Combination



120cm B Seamless Combination





Glass Draft Hoods Flex Design

Seamless Hob Installation

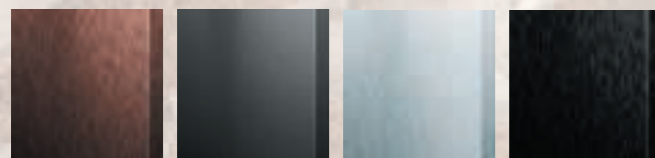
Celebrate your kitchen design with visual unity. Our Glass Draft Hood has been designed to be installed seamlessly with any of our Flex Design hobs in the corresponding 90cm or 80cm width.

Ambient Light

The passionate cook's perfect must-have. Our Glass Panel with Illumination is unobtrusive so it will never divert attention from the peaceful view into your open plan kitchen or living area. Connect your Glass Draft Hood with the Home Connect app and choose from endless colours for the edge of your Glass Panel. Then treat yourself to a unique cooking experience every time with your choice of individual lighting.

Open for fresh designs

Personalise your hob and hood with easily interchangeable Flex Design Trim, available in four distinctive colours, to coordinate with your oven, coffee machine and your Twist Pad Flex®.



Brushed Bronze Anthracite Grey Metallic Silver Deep Black



Your Guide To Single Appliance Flex Design




Flex Induction Hobs

Flex Design pack includes Side Trims for Induction Hobs. The Twist Pad Flex® is required and has to be ordered separately.

STEP 1 CHOOSE YOUR FLEX INDUCTION HOB				STEP 2 CHOOSE YOUR FLEX DESIGN TRIM		STEP 3 CHOOSE YOUR TWIST PAD FLEX®		STEP 4 COMPLETED APPLIANCE
Collection	Size	Hob Type	Model Number	Finish	Model Number	Finish	Model Number	
N90	90cm	3 Flex zones, frying sensor.	T69YYX4C0	Anthracite Grey	Z9802PFAY0	Anthracite Grey	Z9801TWAY0	 <p>Model shown: T69YYV4C0 Flex Induction Hob Z9802PFBY0 Flex Design Trim Z9801TWBY0 Twist Pad Flex®</p>
N90	90cm	2 Flex zones, 32cm triple zone, frying sensor.	T69YYV4C0	Brushed Bronze	Z9802PFBY0	Brushed Bronze	Z9801TWBY0	
N90	80cm	2 extended flex, frying sensor.	T68YYY4C0	Deep Black	Z9802PFDY0	Deep Black	Z9801TWDY0	
N90	60cm	2 extended flex, frying sensor.	T66YYY4C0	Metallic Silver	Z9802PFMY0	Metallic Silver	Z9801TWMY0	

Glass Draft Hoods

Flex Design pack includes Side Trims for Glass Draft Hoods.

STEP 1 CHOOSE YOUR GLASS DRAFT HOOD				STEP 2 CHOOSE YOUR FLEX DESIGN TRIM		STEP 3 COMPLETED APPLIANCE
Collection	Size	Hood Type	Model Number	Finish	Model Number	
N90	90cm	Guided Air technology, Automatic Air Sensor, Clear Glass with Ambient Light	I98WMM1Y7B	Anthracite Grey	Z5802GLAY0	 <p>Model shown: I98WMM1Y7B Glass Draft Hood Z5802GLBY0 Flex Design Trim</p>
				Brushed Bronze	Z5802GLBY0	
N90	80cm	Guided Air technology, Automatic Air Sensor, Clear Glass with Ambient Light	I88WMM1Y7B	Deep Black	Z5802GLDY0	
				Metallic Silver	Z5802GLMY0	





Your Guide To Seamless Combination Flex Design

Side Trim – Induction Hob and Glass Draft Hood

Induction Hob installed with Glass Draft Hood with Seamless Combination trim.

STEP 1
CHOOSE YOUR COMPLETED COMBINATION

GLASS DRAFT HOOD
90cm HOB

STEP 2
SUITABLE APPLIANCES

CHOOSE YOUR INDUCTION HOB*

Collection	Size	Hob Type	Model Number
N90	90cm	3 Flex zones, frying sensor.	T69YYX4C0
N90	90cm	2 Flex zones, 32cm triple zone, frying sensor.	T69YYV4C0
N90	80cm	2 extended flex, frying sensor.	T68YYY4C0

CHOOSE YOUR GLASS DRAFT HOOD*

Collection	Size	Hood Type	Model Number
N90	90cm	Guided Air technology, Automatic Air Sensor, Clear Glass with Ambient Light	I98WMM1Y7B
N90	80cm	Guided Air technology, Automatic Air Sensor, Clear Glass with Ambient Light	I88WMM1Y7B

*Please note you can combine 90cm Hob and Hood or 80cm hob and hood.

STEP 3
CHOOSE YOUR FLEX DESIGN TRIM.

CHOOSE YOUR FLEX DESIGN TRIM

Finish	Model Number
Anthracite Grey	Z9302GLAY0
Brushed Bronze	Z9302GLBY0
Deep Black	Z9302GLDY0
Metallic Silver	Z9302GLMY0

PLUS REQUIRED INSTALLATION ACCESSORY SITS BENEATH APETURE TO SUPPORT HOB AND HOOD PRODUCTS

90cm Installation Accessory	Z92WWY9X2
80cm Installation Accessory	Z92WWY8X2

STEP 4
CHOOSE YOUR TWIST PAD FLEX®

CHOOSE YOUR FINISH


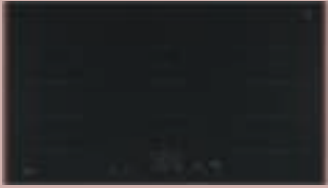

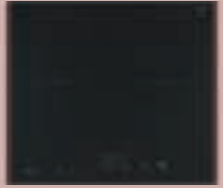
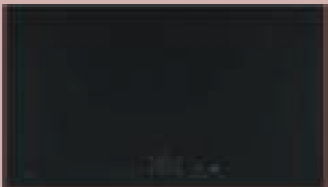



Finish	Model Number
Anthracite Grey	Z9801TWAY0
Brushed Bronze	Z9801TWBY0
Deep Black	Z9801TWDY0
Metallic Silver	Z9801TWMY0

SUMMARY ORDER...
TO ACHIEVE THIS INSTALLATION ORDER THE FOLLOWING SUITE OF MODEL CODES

To install a 90cm Induction Hob and 90cm Glass Draft Hood in Brushed Bronze.

T69YYX4C0 Induction Hob
I98WMM1Y7B Glass Draft Hood
Z9302GLBY0 Flex Design Trim
Z92WWY9X2 Required Installation Accessory
Z9801TWBY0 Twist Pad Flex®

Flex Design Hobs and Hoods Ranges

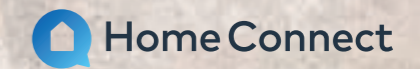
APPLIANCE TYPE	SIZES		
	90cm	80cm	70cm
Flex Induction Hobs All black glass Flex Induction Hobs have: <ul style="list-style-type: none"> • Hob-Hood Control • Frying Sensor • All require Twist Pad Flex® and side trims to be ordered in chosen Flex Design finish. • Home Connect 	 <p>T69YYX4C0 • 3 x Flex Zones</p>	 <p>T68YY4C0 • 2 x Extended Flex</p>	 <p>T66YY4C0 • 2 x Extended Flex</p>
	 <p>T69YYV4C0 • 2 x Flex Zones + 32Cm triple zone</p>		
Glass Draft Hoods All Glass Draft Hoods have: <ul style="list-style-type: none"> • Guided Air Technology • Automatic Air Sensor • Clear Glass with Ambient Light • Hob-Hood control • Remote mountable motor up to 3m away. 	 <p>I98WMM1Y7B • 2 x Flex Zones + 32Cm triple zone</p>	 <p>I88WMM1Y7B • 2 x Flex Zones + 32Cm triple zone</p>	



Your Guide To Dishwashers



Dishwashers

As this is a built in product there are no Flex Design kits to order.



FULLY INTEGRATED 60cm DISHWASHERS	
 <p>S199YB801E</p> <ul style="list-style-type: none"> • Intelligent • Zeolith • 8 programmes • Gap Illumination • Door Open assist • Vario Hinge – 81.5cm height 	 <p>S299YB801E</p> <ul style="list-style-type: none"> • Intelligent • Zeolith • 8 programmes • Gap Illumination • Door Open assist • Vario Hinge – 86.5cm height

Flex Design Appliances

Colour Coordinated Flex Design Side Trims and Handles

FLEX DESIGN OVEN RANGE – N90 FULL TOUCH 3 - 6.8" FULL TOUCH TFT DISPLAY WITH FLEX CONTROL

Collection	Display Size	Flex Design Oven description	No of Functions	Steam	Model Code
N90	Full Touch 3	Slide and Hide® Single Pyrolytic Oven with Vario Steam®	20	Vario Steam®	B69VY7MY0
N90	Full Touch 3	Slide and Hide® Single Pyrolytic Oven	14		B69CY7MY0
N90	Full Touch 3	Slide and Hide® Single Oven with Intensive Steam	23	Intensive	B69FY5CX0
N90	Full Touch 3	Compact Oven with Intensive Steam	23	Intensive	C29FY5CX0
N90	Full Touch 3	Compact Oven with Microwave	20		C29MY7MY0
N90	Full Touch 3	Compact Coffee Machine - Left Hinged Door	11		CL9TX11X0

FLEX DESIGN OVEN RANGE – N90 FULL TOUCH 2 - 4.1" FULL TOUCH TFT DISPLAY

Collection	Display Size	Flex Design Oven description	No of Functions	Steam	Model Code
N90	Full Touch 2	Slide and Hide® Single Pyrolytic Oven with Vario Steam®	21	Vario Steam®	B69VS7MY0A
N90	Full Touch 2	Slide and Hide® Single Pyrolytic Oven	14		B69CS7MY0B
N90	Full Touch 2	Slide and Hide® Single Oven with Intensive Steam	24	Intensive	B69FS5CY0A
N90	Full Touch 2	Compact Oven with Intensive Steam	23	Intensive	C29FS3AY0
N90	Full Touch 2	Compact Oven with Microwave	20		C29MS7KY0

FLEX DESIGN OVEN RANGE – N70 FULL TOUCH 1 - 3.7" FULL TOUCH TFT DISPLAY

Collection	Display Size	Flex Design Oven description	No of Functions	Steam	Model Code
N70	Full Touch 1	Slide and Hide® Single Pyrolytic Oven	14		B59CR7KY0B
N70	Full Touch 1	Compact Oven with Microwave	16		C29MR21Y0B
N70	Full Touch 1	38cm Microwave Oven - Left Hinged Door			NL9WR21Y1B
N70	Full Touch 1	38cm Microwave Oven - Right Hinged Door			NR9WR21Y1B

N90/N70 FLEX DESIGN DRAWER RANGE

Collection	Flex Design Drawer Range	Model Code
N90/70	14cm Vacuum Drawer	N29XA11Y1
N90/70	14cm Warming Drawer	N29HA11Y1B
N90/70	29cm Warming Drawer	N39HA11Y1B

FLEX DESIGN HOB RANGE

Collection	Hob Width Size	Flex Design Flex Induction Hob - All with Twist Pad Flex® Control	Colour	Home Connect	Model Code
N 90	90cm	3 x Flex Zones, Frying Sensor	Black Glass	Yes	T69YYX4C0
N 90	90cm	2 x Flex + 32cm Triple Zone, Frying Sensor	Black Glass	Yes	T69YYV4C0
N 90	80cm	2 x Extended Flex, Frying Sensor	Black Glass	Yes	T68YYY4C0
N 90	60cm	2 x Extended Flex, Frying Sensor	Black Glass	Yes	T66YYY4C0

FLEX DESIGN HOOD RANGE

Collection	Hood Width Size	Flex Design Glass Draft Hood	Colour	Home Connect	Model Code
N 90	90cm	Guided Air technology, Ambient Light, Touch control	Clear Glass	Yes	I98WMM1Y7B
N 90	80cm	Guided Air technology, Ambient Light, Touch control	Clear Glass	Yes	I88WMM1Y7B

NEFF COLLECTION DISHWASHER RANGE

Collection	Size	Dishwasher Highlights	Colour	Home Connect	Model Code
N90	60cm Fully Integrated	Zeolith, Gap Illumination, Vario Hinge 81.5cm height	Black Glass	Yes	S199YB801E
N90	60cm Fully Integrated	Zeolith, Gap Illumination, Vario Hinge 86.5cm height	Black Glass	Yes	S299YB801E

FLEX DESIGN TRIMS FOR SINGLE APPLIANCE - OVENS, COFFEE MACHINE AND DRAWERS

When installing an individual appliance and not combining seamlessly then order from these model codes.

Pack Contents	Length of Trim	Anthracite Grey	Brushed Bronze	Deep Black	Metallic Silver
2 x Side Trims and 1 x Handle for use with 60cm NEFF Collection Single ovens	60cm	Z9060AY0	Z9060BY0	Z9060DY0	Z9060MY0
2 x Side Trims and 1 x Handle for use with 45cm NEFF Collection Compact Ovens	45cm	Z9045AY0	Z9045BY0	Z9045DY0	Z9045MY0
2 x Side Trims for use with 45cm NEFF Collection Coffee Machine	45cm	ZC045AY0	ZC045BY0	ZC045DY0	ZC045MY0
2 x Side Trims for 38cm Microwaves	38cm	Z9038AY0	Z9038BY0	Z9038DY0	Z9038MY0
2 x Side Trims for use with 14cm NEFF Collection Drawers	14cm	Z9014AY0	Z9014BY0	Z9014DY0	Z9014MY0
2 x Side Trims for use with 29cm NEFF Collection Drawer	29cm	Z9029AY0	Z9029BY0	Z9029DY0	Z9029MY0

Optional Accessory

Colour coordinated Twist Pad Flex® - Optional Accessory for ovens in the Full Touch 3 - 6.8" TFT screen size only	Twist Pad Flex®	Z9801TWAY0	Z9801TWBY0	Z9801TWDY0	Z9801TWMY0

FLEX DESIGN TRIMS FOR SEAMLESS COMBINATION INSTALLATION - OVENS, COFFEE MACHINE AND DRAWERS

If ordering to install seamlessly you need to order from these model codes.

Pack Contents	Length of Trim	Anthracite Grey	Brushed Bronze	Deep Black	Metallic Silver
2 x Side Trims and 1 x Handle for 60cm Seamless Combination Installations	60cm	Z9060AY0	Z9060BY0	Z9060DY0	Z9060MY0
2 x Side Trims to Install for the 60cm Seamless Combination of the Coffee machine and 14cm drawer - Coffee accessory also required	60cm	ZC060AY0	ZC060BY0	ZC060DY0	ZC060MY0
2 x Side Trims and 1 x Handle for 75cm Seamless Combination Installations	75cm	Z9075AY0	Z9075BY0	Z9075DY0	Z9075MY0
2 x Side Trims and 1 x Handle for 88cm Seamless Combination Installations	88cm	Z990AAAY0	Z990ABBY0	Z990ADY0	Z990AMY0
2 x Side Trims and 2 x Handles for 90cm Seamless Combination Installations	90cm	Z990BAY0	Z990BBY0	Z990BDY0	Z990BMY0
2 x Side Trims and 1 x Handle for use with 98cm Seamless Combination Installations	98cm	Z9098AY0	Z9098BY0	Z9098DY0	Z9098MY0
2 x Side Trims and 2 x Handles for 105cm Seamless Combination Installations	105cm	Z9105AY0	Z9105BY0	Z9105DY0	Z9105MY0
2 x Side Trims and 2 x Handles for use with 120cm Seamless Combination - Full Installation Details in guide. 120A Installation Combinations	120cm	Z912AAAY0	Z912ABBY0	Z912ADY0	Z912AMY0
2 x Side Trims and 2 x Handles for use with 120cm Seamless Combination - Full Installation Details in guide. 120B Installation Combinations	120cm	Z912BAY0	Z912BBY0	Z912BDY0	Z912BMY0

REQUIRED ACCESSORIES FOR SPECIFIC INSTALLATIONS - COFFEE MACHINE AND OVENS

Pack Contents	Model Number
Coffee Accessory	ZC060TY0
Intermediate Platform - Required when installing an oven on top of an oven	Z11S200X1

Optional Accessory

Colour coordinated Twist Pad Flex® - Optional Accessory for ovens in the Full Touch 3 - 6.8" TFT screen size only	Z9801TWAY0	Z9801TWBY0	Z9801TWDY0	Z9801TWMY0

FLEX DESIGN TRIMS - HOBS

Pack Contents	Anthracite Grey	Brushed Bronze	Deep Black	Metallic Silver
Colour coordinated Twist Pad Flex® - required for Flex Design Induction hobs	Z9801TWAY0	Z9801TWBY0	Z9801TWDY0	Z9801TWMY0
Colour coordinated Flex Design Side Trims required for use with Flex Design Induction Hobs	Z9802PFAY0	Z9802PFBY0	Z9802PFDY0	Z9802PFMY0

FLEX DESIGN TRIMS - HOODS

Pack Contents	Anthracite Grey	Brushed Bronze	Deep Black	Metallic Silver
2 x Glass Draft Side Trims	Z5802GLAY0	Z5802GLBY0	Z5802GLDY0	Z5802GLMY0
Optional colour coordinated Flex Design Trims for Seamless Installation linking Flex Design Hobs to Flex Design GlassDraft Extractor	Z9302GLAY0	Z9302GLBY0	Z9302GLDY0	Z9302GLMY0