

SCHOCK



SINKS & TAPS
2024

Product advantages

SCHOCK sinks consist predominantly of quartz. The finishes were specially developed by SCHOCK for the demands of the kitchen. The rigours of everyday use leave barely a trace on our proven material technology.



Who invented it?

SCHOCK is the inventor of the coloured, quartz composite sink and is the only manufacturer to offer CRISTADUR®, a premium, silky-smooth finish.

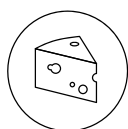


Externally tested

We have achieved carbon neutrality for our company and all our kitchen sinks. The certification of our company and all sinks as climate-neutral refers to the 2022 reporting period (cp. climatepartner.com/16431-2208-1001). Various product quality features are regularly tested and certified by DEKRA.



Easy to clean
Poreless surface for an extremely easy-clean, hygienic finish



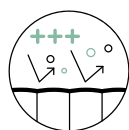
Odour free
Leaves the surface free of smells
DIN 10955



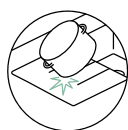
Heat resistant
Not temperature sensitive up to 180°C
DIN EN 13310



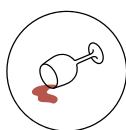
Food safe
Absolutely safe material
DIN EN 1186



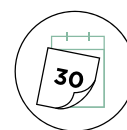
Dirt repellent effect
Dirt and water simply roll off



Impact resistant
Tough and hard-wearing material
DIN EN 438-2



Stain resistant
Resistant to food stains
DIN EN 13310



Made to last
Extremely durable
DIN EN 13310



Contact & Content



Schock GmbH Tel.: +49 9921 600-0
 Hofbauerstraße 1 Fax: +49 9921 600-263
 94209 Regen Mail: info@schock.de
 www.schock.de/int_en



| | |
|--------|-------------------------------------|
| p. 02 | CRISTADUR® Sinks |
| p. 03 | CRISTADUR® Colours |
| p. 06 | CRISTADUR® Overview |
| p. 08 | CRISTADUR® Green Line |
| p. 09 | CRISTADUR® Green Line Overview |
| p. 72 | CRISTALITE® Sinks |
| p. 73 | CRISTALITE® Colours |
| p. 74 | CRISTALITE® Overview |
| p. 168 | Mixer Taps |
| p. 170 | Chrome Mixer Taps Overview |
| p. 172 | Stainless Steel Mixer Taps Overview |
| p. 174 | Special Feature Overview |
| p. 210 | Innovative mixer tap Talia |
| p. 212 | Soap dispenser |
| p. 216 | Accessories |
| p. 224 | Trim parts |
| p. 226 | Overview Sinks |
| p. 230 | Overview Mixer Taps |
| p. 232 | Legend Mixer Taps Icons |



WE-0238-INT/24



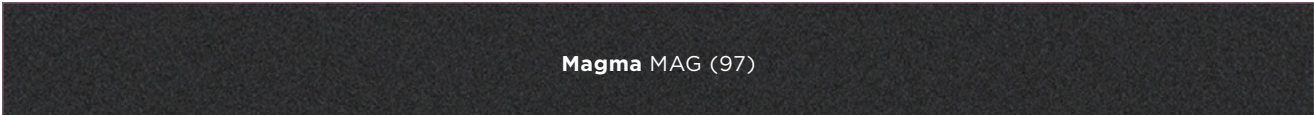
CRISTADUR® Sinks



CRISTADUR® Colours



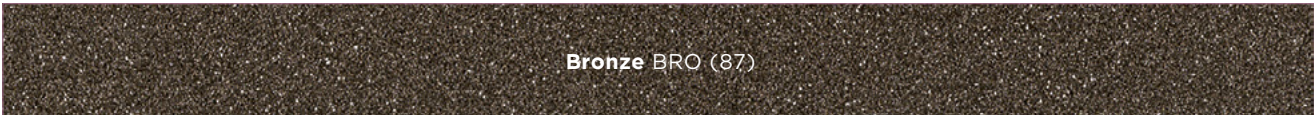
Puro PUR (84)



Magma MAG (97)



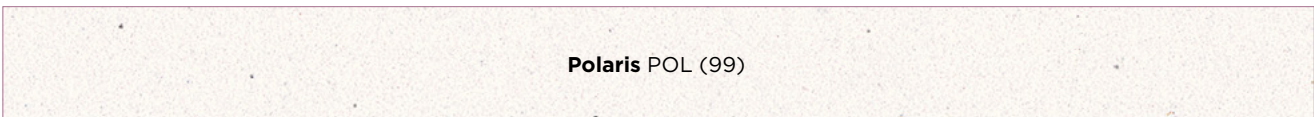
Stone STO (88)



Bronze BRO (87)



Silverstone SIL (91)



Polaris POL (99)

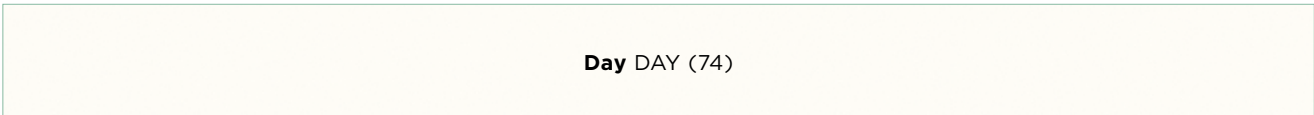


Rouge ROU (81)



CRISTADUR® GREEN LINE

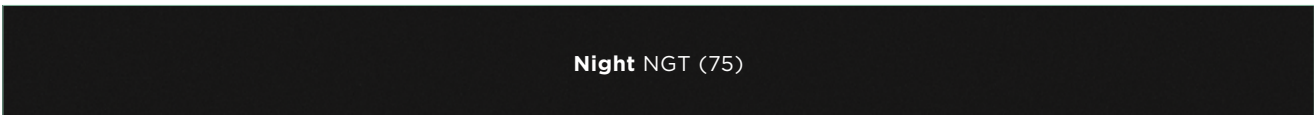
Discover our most sustainable quartz composite material!



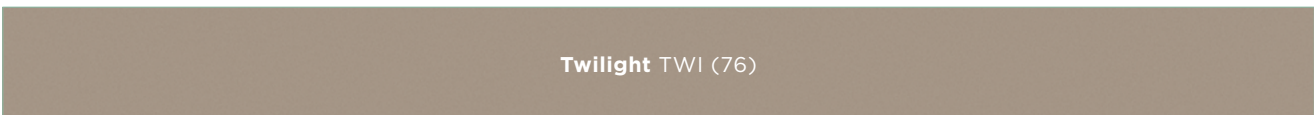
Day DAY (74)



Dusk DSK (77)



Night NGT (75)



Twilight TWI (76)

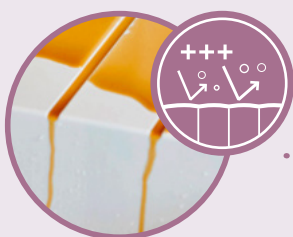
CRISTADUR® advantages

The premium material wins fans with its **patented, poreless structure** and beautifully shimmery finish, from which any dirt and water simply roll off. Being extremely easy to clean, it's not just the look of CRISTADUR® that makes it a luxury to befit any kitchen.



SILKY-SMOOTH FINISH

Feel the difference with the poreless structure.



DIRT REPELLENT EFFECT

Water and dirt simply roll off the surface, leaving nothing for germs and bacteria to grow on.



EASY TO CLEAN

The poreless finish and dirt repellent effect makes the sinks extremely easy to clean.



INTENSE COLOURS

More than 11 intensely shimmering colours from pure white to jet black – and if you like it loud, you can even have red.



Tested with boiling water taps



Range of flush mount models available



Patented technology
Further patents pending

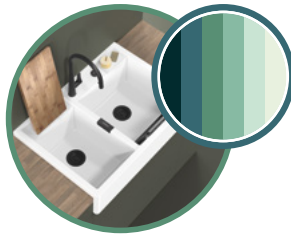
Based on resource-saving production in Germany and quartz as the main component, all SCHOCK quartz composite sinks are made with a responsible approach to nature and the environment. The CRISTADUR® Green Line is SCHOCK's most sustainable option for a conscious purchasing decision as well as an additional upgrade for the kitchen architecture.

**CARBON NEUTRAL
COMPANY** ...▶



Our path to a responsible and sustainable future includes the continuous improvement of our processes at all levels. From biodiversity on our factory site, resource conservation in production to equality and health protection for our team and the entire supply chain.

**GREEN
LINE** ...▶



The innovative product line from SCHOCK impresses with its sustainably optimised composition as well as its high-quality matt colours.

CRISTADUR® Sinks

45

GREENWICH N-100S

Ⓐ
Ⓤ
FB
p. 21

50

GREENWICH N-100

Ⓐ
Ⓤ
FB
p. 22

60

GALAXY N-100

Ⓐ
Ⓤ
p. 17

60

SIGNUS D-100L

Ⓐ
Ⓤ
FB
p. 50

MONO D-100S

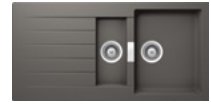
Ⓐ
Ⓤ
FB
p. 36

KIRUNA N-100

Ⓐ
Ⓤ
N
FB
p. 29

GREENWICH N-100L

Ⓐ
Ⓤ
FB
p. 23

SIGNUS D-150

Ⓐ
Ⓤ
FB
p. 51

MONO R-100

Ⓐ
Ⓤ
p. 43

MONO D-100

Ⓐ
Ⓤ
FB
p. 37

KALLIO M-100

M
N
p. 13

TIA D-100LS

Ⓐ
Ⓤ
p. 59

SIGNUS D-100

Ⓐ
Ⓤ
FB
p. 49

MONO N-100S

Ⓐ
Ⓤ
FB
p. 41

KIRUNA N-100L

Ⓐ
Ⓤ
N
FB
p. 30

TIA D-100L

Ⓐ
Ⓤ
p. 60

TOLEDO D-100XS

Ⓐ
Ⓤ
p. 63

TIA D-100

Ⓐ
Ⓤ
p. 59

MONO D-100XS

Ⓐ
Ⓤ
FB
p. 35

TOLEDO D-100L

Ⓐ
Ⓤ
p. 64

TOLEDO D-100

Ⓐ
Ⓤ
p. 63

MONO D-100L

Ⓐ
Ⓤ
FB
p. 38

TOLEDO D-150

Ⓐ
Ⓤ
p. 64

WATERFALL D-100

Ⓐ
Ⓤ
FB
p. 67

MONO D-150

Ⓐ
Ⓤ
FB
p. 39

WATERFALL D-150

Ⓐ
Ⓤ
FB
p. 68

WEMBLEY D-100

Ⓐ
Ⓤ
p. 70

MONO N-100

Ⓐ
Ⓤ
FB
p. 42

WEMBLEY D-100L

Ⓐ
Ⓤ
p. 70

Ⓐ = Topmount Ⓤ = Undermount FB = Flushmount M = Module ● = Green Line N = New Ⓤ = Update

Prepstation: Installation in two 60 cm base cabinets or one 120 cm base cabinet



PREPSTATION D-150



p. 47



KIRUNA N-100XL



p. 31



EDO N-175



p. 15



SIGNUS N-100XLY



p. 53



MONO D-200



p. 40

EDO N-175Y



p. 15

SUPRA N-175



p. 57

GALAXY N-100Y



p. 17

SIGNUS D-200



p. 52

GRANDO M-100



p. 11

GALAXY N-100L



p. 18

SIGNUS N-100XL



p. 53

HORIZONT N-200



p. 27



GALAXY N-100LY



p. 18

TOLEDO D-200



p. 65

KALLIO M-175



p. 13

LOTUS C-150



p. 33

GREENWICH N-100XL



p. 24

WEMBLEY D-200



p. 71

MONTANO N-100XL



p. 45

SIGNUS C-150



p. 54

GREENWICH N-200



p. 25

MONTANO N-100XLY



p. 45

CRISTADUR® Green Line Sinks



CRISTADUR® GREEN LINE SINKS



MONO D-100S



p. 36



KIRUNA N-100



FB
p. 29



KALLIO M-100



p. 13



PREPSTATION D-150



p. 47

MONO R-100



p. 43

MONO D-100



p. 37

KIRUNA N-100L



FB
p. 30

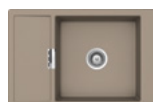


MONO N-100S



p. 41

MONO D-100XS



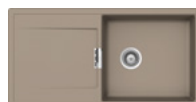
p. 35

KIRUNA N-100XL



FB
p. 31

MONO D-100L



p. 38



MONO D-150



p. 39

KALLIO M-175



p. 13

MONO N-100



p. 42



GRANDO

Tap model **Resi** in White Gold on sink model **Grando M-100** in Polaris

Note: The worktop must be **5 mm longer** on both sides when installing the Grando M-100 model, as the sink is conical. Due to the individual sink shape with closed back, this model is also suitable for installation in kitchen islands.



M-100



Designer overflow



Recessed overflow area
e.g. for pouring away left-over liquids

More accessories on p. 216

Wastecap



Soap dispenser



Comfopush





GRANDO M-100

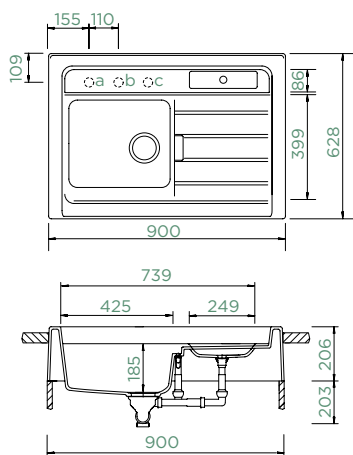
MODULE

Cabinet size: **90 cm**

Inner dimension of the bowl:

425 x 399 x 185 mm

Installation: **bowl left**



Accessories:

- Automatic drain kit 629306PD
- Amur 629014
- Samo CHR 629169CHR
- Samo EDM 629169EDM
- Samo WGO 629169WGO
- Samo COP 629169COP
- Samo GUM 629169GUM
- Samo PUR 629169S
- Wastecap 628152

MODULE

CRISTADUR® CLASSIC LINE

- GRAM100M MAG
- GRAM100M POL



Note: When installing the Grando M-100 model, the worktop needs to be 5 mm longer on both sides because the sink is tapered. The tap holes in positions b and c are already knocked out. Position a is optional.



KALLIO

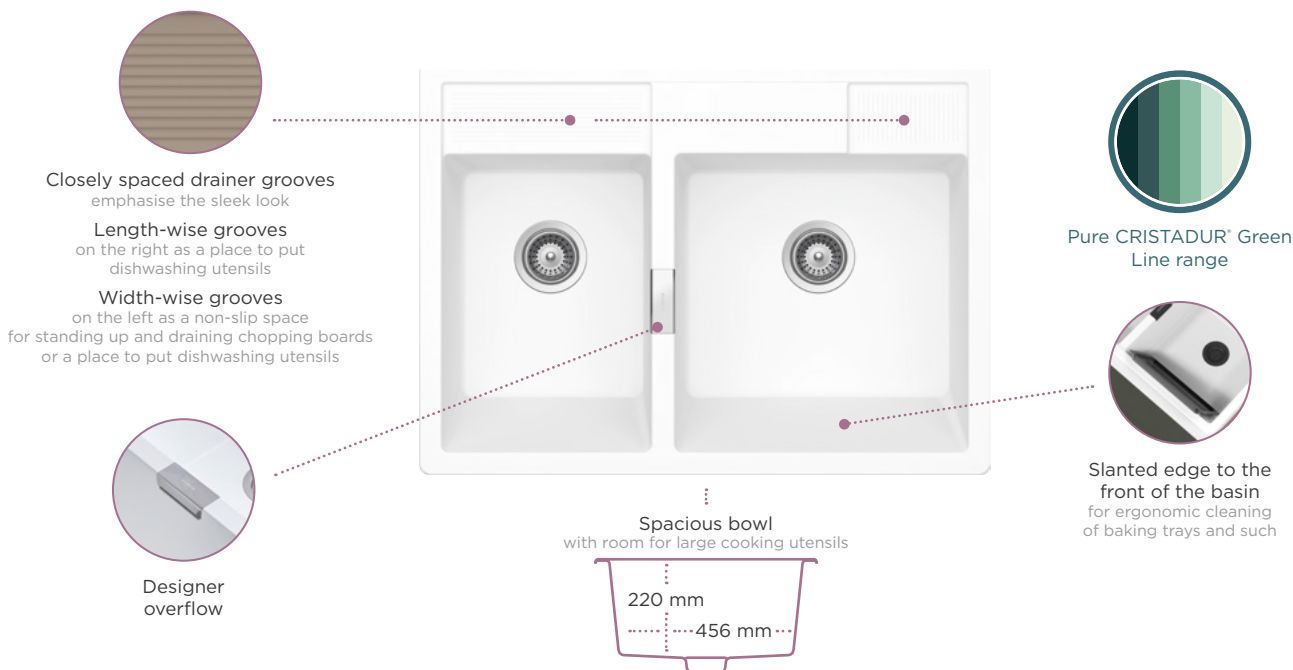
Tap model **Gota** in Black on sink model **Kallio M-175** in Day

Please note: For installation, the worktop must be **5 mm longer** on both sides as the sink is tapered. Because of the individual shape of this sink with its open back, we do not recommend installing it in kitchen islands or with worktops > 600 mm deep.



M-100

M-175



More accessories on p. 216

Trim



Soap dispenser



Comfopush



Wastecap

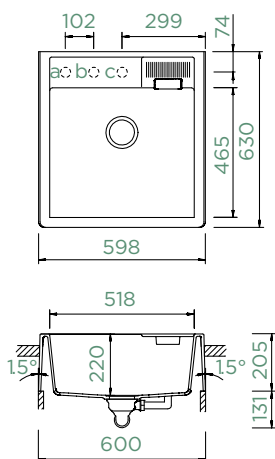




KALLIO M-100

MODULE

Cabinet size: **60 cm**
 Inner dimension of the bowl:
518 × 465 × 220 mm
 Installation: **fixed**



Accessories:

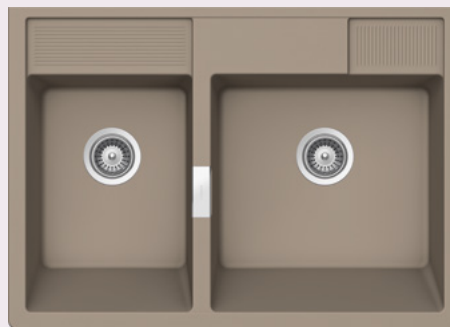
- Automatic drain kit 410065CHR
- Visible Parts in Solid Stainless Steel 400065EDM
- Visible Parts in White Gold 400065WGO
- Visible Parts in Copper 400065COP
- Visible Parts in Gunmetal 400065GUM
- Visible Parts in Puro 400065PUR
- Manual drain kit 410064CHR
- Comfopush, EDM 420016EDM
- Comfopush, CHR 420016CHR
- Amur 629014
- Samo CHR 629169CHR
- Samo EDM 629169EDM
- Samo WGO 629169WGO

- Samo COP 629169COP
- Samo GUM 629169GUM
- Samo PUR 629169S
- Wastecap 628152

MODULE

CRISTADUR® GREEN LINE

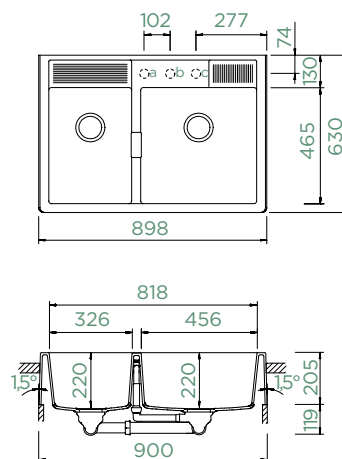
- KALM100M DAY
- KALM100M DSK
- KALM100M NGT
- KALM100M TWI



KALLIO M-175

MODULE

Cabinet size: **90 cm**
 Inner dimension of the bowl:
456 × 465 × 220 mm
 Installation: **fixed**



Accessories:

- Automatic drain kit 410067CHR
- Visible Parts in Solid Stainless Steel 400067EDM
- Visible Parts in White Gold 400067WGO
- Visible Parts in Copper 400067COP
- Visible Parts in Gunmetal 400067GUM
- Visible Parts in Puro 400067PUR
- Manual drain kit 410066CHR
- Comfopush, EDM 420016EDM
- Comfopush, CHR 420016CHR
- Amur 629014
- Samo CHR 629169CHR
- Samo EDM 629169EDM
- Samo WGO 629169WGO

- Samo COP 629169COP
- Samo GUM 629169GUM
- Samo PUR 629169S
- Wastecap 628152

MODULE

CRISTADUR® GREEN LINE

- KALM175M DAY
- KALM175M DSK
- KALM175M NGT
- KALM175M TWI

Note: When installing the Kallio M-100 model, the worktop needs to be 5 mm longer on both sides because the sink is tapered.

Note: When installing the Kallio M-175 model, the worktop needs to be 5 mm longer on both sides because the sink is tapered.



EDO

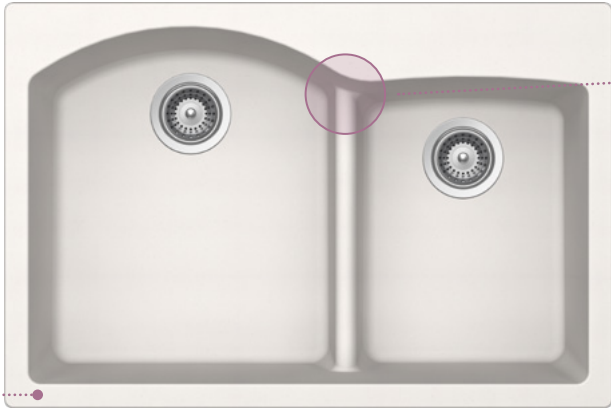
Tap model **Vitus** in Solid Stainless Steel on sink model **Edo N-175Y** in Magma



N-175



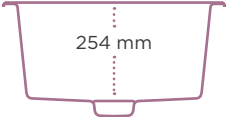
N-175Y



Recessed separator

Two installation options
Same base cabinet for inset and
undermount installation

Deep bowl
(e.g. for filling tall vases or pots & pans)



More accessories on p. 216

Silicone drain mat



Wastecap



Corner dish





EDO N-175

TOPMOUNT/UNDERMOUNT

Cabinet size: **90 cm**

Inner dimension of the bowl:

423 × 491 × 254 mm

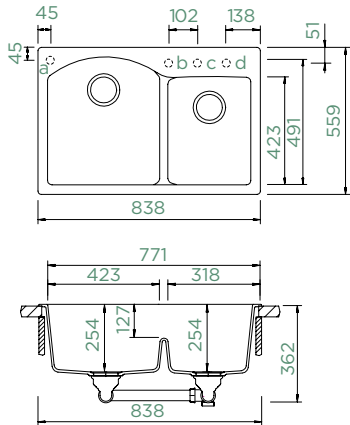
Installation: **fixed**

Cut-out size topmount:

819 × 539 mm

Cut-out size undermount:

771 × 491 mm



Accessories:

- Automatic drain kit 410059CHR
- Manual drain kit 410058CHR
- Silicone Drain Mat 629188
- Silicone Drain Mat Short 629189
- Corner bowl 629733
- Wastecap 628152



EDO N-175Y

UNDERMOUNT

Cabinet size: **90 cm**

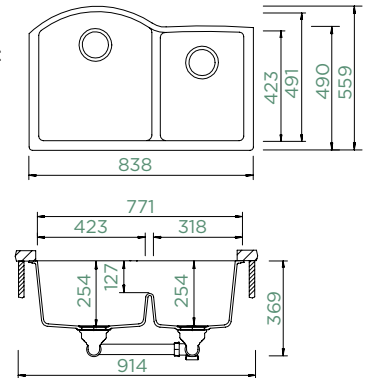
Inner dimension of the bowl:

423 × 491 × 254 mm

Installation: **fixed**

Cut-out size undermount:

771 × 491 mm



Accessories:

- Automatic drain kit 410059CHR
- Manual drain kit 410058CHR
- Silicone Drain Mat 629188
- Silicone Drain Mat Short 629189
- Corner bowl 629733
- Wastecap 628152

TOPMOUNT

UNDERMOUNT

CRISTADUR® CLASSIC LINE

- EDON175A MAG
- EDON175A STO
- EDON175A BRO
- EDON175A SIL
- EDON175A POL

- EDON175U MAG
- EDON175U STO
- EDON175U BRO
- EDON175U SIL
- EDON175U POL

UNDERMOUNT

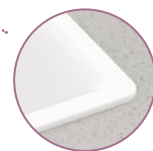
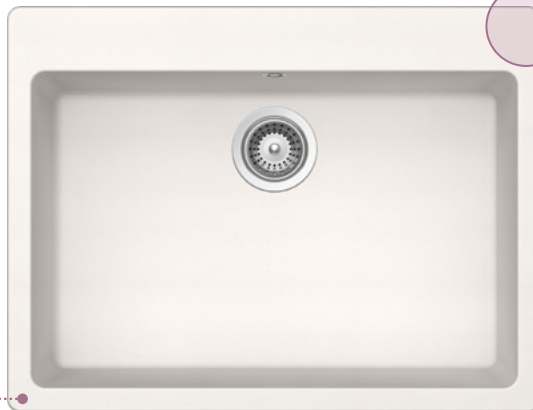
CRISTADUR® CLASSIC LINE

- EDON175YU MAG
- EDON175YU STO
- EDON175YU BRO
- EDON175YU SIL
- EDON175YU POL



GALAXY

Tap model **Hekate** in White on sink model **Galaxy N-100** in Polaris



Tight corners - modern look

Two installation options
Same base cabinet for inset and undermount installation

Deep bowl
(e.g. for filling tall vases or pots & pans)



More accessories on p. 216

Silicone drain mat



Wastecap



Trim



Soap dispenser



Comfopush



Corner dish

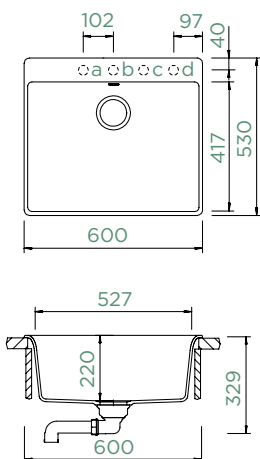




GALAXY N-100

TOPMOUNT/UNDERMOUNT

Cabinet size: **60 cm**
 Inner dimension of the bowl:
527 × 417 × 220 mm
 Installation: **fixed**
 Cut-out size topmount:
580 × 510 mm
 Cut-out size undermount:
584 × 514 mm



Accessories:

- Automatic drain kit 410061CHR
- Visible Parts in Solid Stainless Steel 400061EDM
- Visible Parts in White Gold 400061WGO
- Visible Parts in Copper 400061COP
- Visible Parts in Gunmetal 400061GUM
- Visible Parts in Puro 400061PUR
- Manual drain kit 410060CHR
- Silicone Drain Mat 629188
- Silicone Drain Mat Short 629189
- Corner bowl 629733
- Comfopush, EDM 420016EDM
- Comfopush, CHR 420016CHR
- Amur 629014

- Samo CHR 629169CHR
- Samo EDM 629169EDM
- Samo WGO 629169WGO
- Samo COP 629169COP
- Samo GUM 629169GUM
- Samo PUR 629169S
- Wastecap 628152

TOPMOUNT

UNDERMOUNT

CRISTADUR® CLASSIC LINE

- GAXN100A PUR
- GAXN100A MAG
- GAXN100A STO
- GAXN100A BRO
- GAXN100A SIL
- GAXN100A POL

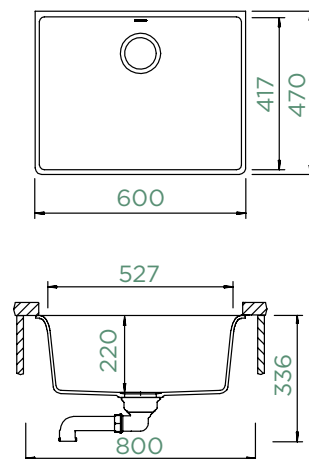
- GAXN100U PUR
- GAXN100U MAG
- GAXN100U STO
- GAXN100U BRO
- GAXN100U SIL
- GAXN100U POL



GALAXY N-100Y

UNDERMOUNT

Cabinet size: **80 cm**
 Inner dimension of the bowl:
527 × 417 × 220 mm
 Installation: **fixed**
 Cut-out size undermount:
584 × 446 mm



Accessories:

- Automatic drain kit 410061CHR
- Visible Parts in Solid Stainless Steel 400061EDM
- Visible Parts in White Gold 400061WGO
- Visible Parts in Copper 400061COP
- Visible Parts in Gunmetal 400061GUM
- Manual drain kit 410060CHR
- Visible Parts in Puro 400061PUR
- Silicone Drain Mat 629188
- Silicone Drain Mat Short 629189
- Corner bowl 629733
- Comfopush, EDM 420016EDM
- Comfopush, CHR 420016CHR
- Amur 629014

Wastecap 628152

UNDERMOUNT

CRISTADUR® CLASSIC LINE

- GAXN100YU PUR
- GAXN100YU MAG
- GAXN100YU STO
- GAXN100YU BRO
- GAXN100YU SIL
- GAXN100YU POL



GALAXY N-100L

TOPMOUNT/UNDERMOUNT

Cabinet size: **80 cm**

Inner dimension of the bowl:

636 × 413 × 220 mm

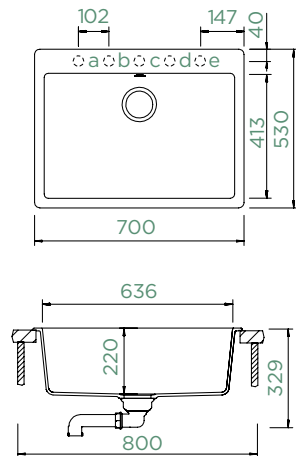
Installation: **fixed**

Cut-out size topmount:

680 × 510 mm

Cut-out size undermount:

684 × 514 mm



Accessories:

Automatic drain kit 410061CHR

Visible Parts in Solid Stainless Steel
400061EDM

Visible Parts in White Gold 400061WGO

Visible Parts in Copper 400061COP

Visible Parts in Gunmetal 400061GUM

Visible Parts in Puro 400061PUR

Manual drain kit 410060CHR

Silicone Drain Mat 629188

Silicone Drain Mat Short 629189

Corner bowl 629733

Comfopush, EDM 420016EDM

Comfopush, CHR 420016CHR

Amur 629014

Samo CHR 629169CHR

Samo EDM 629169EDM

Samo WGO 629169WGO

Samo COP 629169COP

Samo GUM 629169GUM

Samo PUR 629169S

Wastecap 628152

TOPMOUNT

CRISTADUR® CLASSIC LINE

- GAXN100LA PUR
- GAXN100LA MAG
- GAXN100LA STO
- GAXN100LA BRO
- GAXN100LA SIL
- GAXN100LA POL

UNDERMOUNT

- GAXN100LU PUR
- GAXN100LU MAG
- GAXN100LU STO
- GAXN100LU BRO
- GAXN100LU SIL
- GAXN100LU POL



GALAXY N-100LY

UNDERMOUNT

Cabinet size: **80 cm**

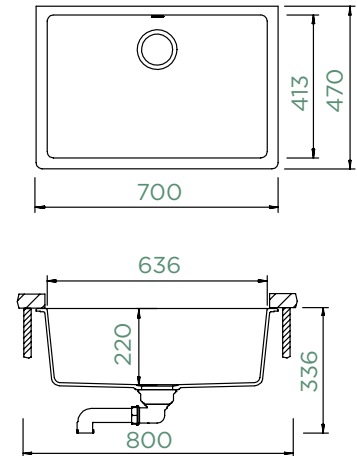
Inner dimension of the bowl:

636 × 413 × 220 mm

Installation: **fixed**

Cut-out size undermount:

656 × 433 mm



Accessories:

Automatic drain kit 410061CHR

Visible Parts in Solid Stainless Steel
400061EDM

Visible Parts in White Gold 400061WGO

Visible Parts in Copper 400061COP

Visible Parts in Gunmetal 400061GUM

Visible Parts in Puro 400061PUR

Manual drain kit 410060CHR

Silicone Drain Mat 629188

Silicone Drain Mat Short 629189

Corner bowl 629733

Comfopush, EDM 420016EDM

Comfopush, CHR 420016CHR

Amur 629014

Wastecap 628152

UNDERMOUNT

CRISTADUR® CLASSIC LINE

- GAXN100LYU PUR
- GAXN100LYU MAG
- GAXN100LYU STO
- GAXN100LYU BRO
- GAXN100LYU SIL
- GAXN100LYU POL





GREENWICH

Tap model **Sina** in Solid Stainless Steel on sink model **Greenwich N-100L** in Stone

Wide choice of designs



Patented Perfect Drain
for less places where dirt can linger and more colour in the sink

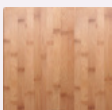
Tight corners - modern look

N-100XL and N-200 with lip
for hanging and laying multifunctional accessories

Deep bowl
e.g. for filling tall vases or pots & pans
200 mm

More accessories on p. 216

Chopping board



N-100XL
N-200

(629158)

Silicone drain mat



Functional bowl



N-100S
N-100
N-100L

(629111)

Drain rack, Gastronorm



3 colours
2 colours
N-100XL
N-200

Trim



Soap dispenser



Comfopush Corner dish

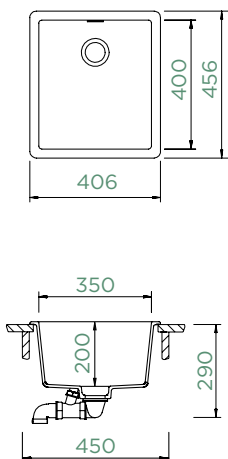




GREENWICH N-100S

TOPMOUNT/UNDERMOUNT

Cabinet size: **45 cm**
 Inner dimension of the bowl:
350 × 400 × 200 mm
 Installation: **fixed**
 Cut-out size topmount:
392 × 442 mm
 Cut-out size undermount:
350 × 400 mm



Accessories:

- Automatic drain kit 410051CHR
- Visible Parts in Solid Stainless Steel 400051EDM
- Visible Parts in White Gold 400051WGO
- Visible Parts in Copper 400051COP
- Visible Parts in Gunmetal 400051GUM
- Visible Parts in Puro 400051PUR
- Manual drain kit 410050CHR
- 2x2 Design Drip Rack 629724S
- 2x2 Design Drip Rack 629724EDM
- Strainer bowl 629111
- Corner bowl 629733
- Silicone Drain Mat 629188
- Silicone Drain Mat Short 629189

Comfopush, EDM 420016EDM
 Comfopush, CHR 420016CHR
 Amur 629014

TOPMOUNT

UNDERMOUNT

CRISTADUR® CLASSIC LINE

- GREN100SA PUR
- GREN100SA MAG
- GREN100SA STO
- GREN100SA BRO
- GREN100SA SIL
- GREN100SA POL

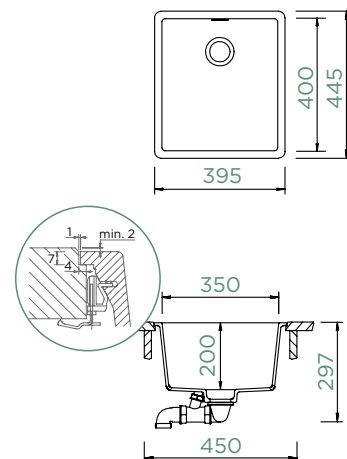
- GREN100SU PUR
- GREN100SU MAG
- GREN100SU STO
- GREN100SU BRO
- GREN100SU SIL
- GREN100SU POL



GREENWICH N-100S

FLUSHMOUNT

Cabinet size: **45 cm**
 Inner dimension of the bowl:
350 × 400 × 200 mm
 Installation: **fixed**
 Cut-out size flushmount:
397 × 447 mm



Accessories:

- Automatic drain kit 410051CHR
- Visible Parts in Solid Stainless Steel 400051EDM
- Visible Parts in White Gold 400051WGO
- Visible Parts in Copper 400051COP
- Visible Parts in Gunmetal 400051GUM
- Visible Parts in Puro 400051PUR
- Manual drain kit 410050CHR
- 2x2 Design Drip Rack 629724S
- 2x2 Design Drip Rack 629724EDM
- Strainer bowl 629111
- Corner bowl 629733
- Silicone Drain Mat 629188
- Silicone Drain Mat Short 629189

Comfopush, EDM 420016EDM
 Comfopush, CHR 420016CHR
 Amur 629014

FLUSHMOUNT

CRISTADUR® CLASSIC LINE

- GREN100SFB PUR
- GREN100SFB MAG
- GREN100SFB STO
- GREN100SFB BRO
- GREN100SFB SIL
- GREN100SFB POL



GREENWICH N-100

TOPMOUNT/UNDERMOUNT

Cabinet size: **50 cm**

Inner dimension of the bowl:

400 × 400 × 200 mm

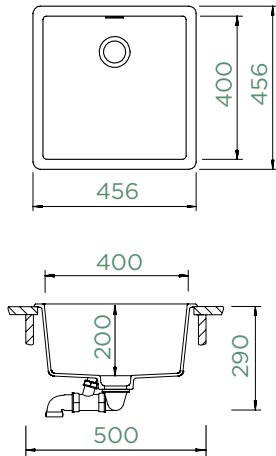
Installation: **fixed**

Cut-out size topmount:

442 × 442 mm

Cut-out size undermount:

400 × 400 mm



Accessories:

Automatic drain kit 410051CHR
 Visible Parts in Solid Stainless Steel 400051EDM
 Visible Parts in White Gold 400051WGO
 Visible Parts in Copper 400051COP
 Visible Parts in Gunmetal 400051GUM
 Visible Parts in Puro 400051PUR
 Manual drain kit 410050CHR
 2x2 Design Drip Rack 629724S
 2x2 Design Drip Rack 629724EDM
 Strainer bowl 629111
 Corner bowl 629733
 Silicone Drain Mat 629188
 Silicone Drain Mat Short 629189

Comfopush, EDM 420016EDM
 Comfopush, CHR 420016CHR
 Amur 629014

TOPMOUNT

UNDERMOUNT

CRISTADUR® CLASSIC LINE

| | |
|----------------|--------------|
| ● GREN100A PUR | GREN100U PUR |
| ● GREN100A MAG | GREN100U MAG |
| ● GREN100A STO | GREN100U STO |
| ● GREN100A BRO | GREN100U BRO |
| ● GREN100A SIL | GREN100U SIL |
| ○ GREN100A POL | GREN100U POL |



GREENWICH N-100

FLUSHMOUNT

Cabinet size: **50 cm**

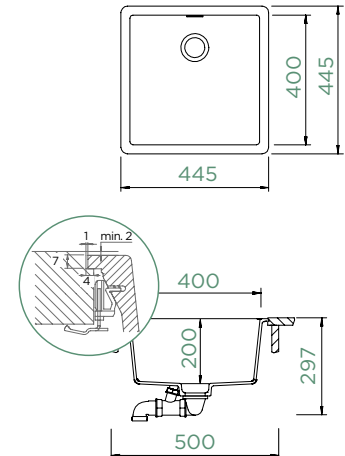
Inner dimension of the bowl:

400 × 400 × 200 mm

Installation: **fixed**

Cut-out size flushmount:

447 × 447 mm



Accessories:

Automatic drain kit 410051CHR
 Visible Parts in Solid Stainless Steel 400051EDM
 Visible Parts in White Gold 400051WGO
 Visible Parts in Copper 400051COP
 Visible Parts in Gunmetal 400051GUM
 Visible Parts in Puro 400051PUR
 Manual drain kit 410050CHR
 2x2 Design Drip Rack 629724S
 2x2 Design Drip Rack 629724EDM
 Strainer bowl 629111
 Corner bowl 629733
 Silicone Drain Mat 629188
 Silicone Drain Mat Short 629189

Comfopush, EDM 420016EDM
 Comfopush, CHR 420016CHR
 Amur 629014

FLUSHMOUNT

CRISTADUR® CLASSIC LINE

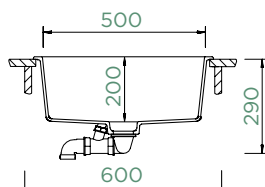
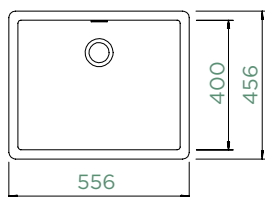
| |
|-----------------|
| ● GREN100FB PUR |
| ● GREN100FB MAG |
| ● GREN100FB STO |
| ● GREN100FB BRO |
| ● GREN100FB SIL |
| ○ GREN100FB POL |



GREENWICH N-100L

TOPMOUNT/UNDERMOUNT

Cabinet size: **60 cm**
 Inner dimension of the bowl:
500 × 400 × 200 mm
 Installation: **fixed**
 Cut-out size topmount:
542 × 442 mm
 Cut-out size undermount:
500 × 400 mm



Accessories:

- Automatic drain kit 410051CHR
- Visible Parts in Solid Stainless Steel 400051EDM
- Visible Parts in White Gold 400051WGO
- Visible Parts in Copper 400051COP
- Visible Parts in Gunmetal 400051GUM
- Visible Parts in Puro 400051PUR
- Manual drain kit 410050CHR
- 2x2 Design Drip Rack 629724S
- 2x2 Design Drip Rack 629724EDM
- Strainer bowl 629111
- Corner bowl 629733
- Silicone Drain Mat 629188
- Silicone Drain Mat Short 629189

Comfopush, EDM 420016EDM
 Comfopush, CHR 420016CHR
 Amur 629014

TOPMOUNT

UNDERMOUNT

CRISTADUR® CLASSIC LINE

- GREN100LA PUR
- GREN100LA MAG
- GREN100LA STO
- GREN100LA BRO
- GREN100LA SIL
- GREN100LA POL

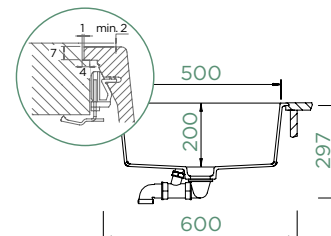
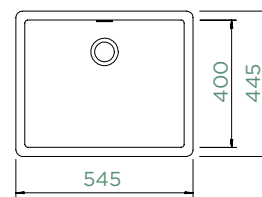
- GREN100LU PUR
- GREN100LU MAG
- GREN100LU STO
- GREN100LU BRO
- GREN100LU SIL
- GREN100LU POL



GREENWICH N-100L

FLUSHMOUNT

Cabinet size: **60 cm**
 Inner dimension of the bowl:
500 × 400 × 200 mm
 Installation: **fixed**
 Cut-out size flushmount:
547 × 447 mm



Accessories:

- Automatic drain kit 410051CHR
- Visible Parts in Solid Stainless Steel 400051EDM
- Visible Parts in White Gold 400051WGO
- Visible Parts in Copper 400051COP
- Visible Parts in Gunmetal 400051GUM
- Visible Parts in Puro 400051PUR
- Manual drain kit 410050CHR
- 2x2 Design Drip Rack 629724S
- 2x2 Design Drip Rack 629724EDM
- Strainer bowl 629111
- Corner bowl 629733
- Silicone Drain Mat 629188
- Silicone Drain Mat Short 629189

Comfopush, EDM 420016EDM
 Comfopush, CHR 420016CHR
 Amur 629014

FLUSHMOUNT

CRISTADUR® CLASSIC LINE

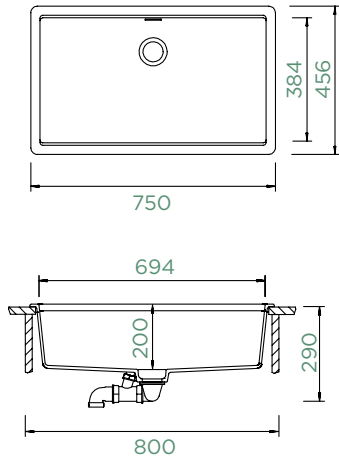
- GREN100LFB PUR
- GREN100LFB MAG
- GREN100LFB STO
- GREN100LFB BRO
- GREN100LFB SIL
- GREN100LFB POL



GREENWICH N-100XL

TOPMOUNT/UNDERMOUNT

Cabinet size: **80 cm**
 Inner dimension of the bowl:
694 × 384 × 200 mm
 Installation: **fixed**
 Cut-out size topmount:
736 × 442 mm
 Cut-out size undermount:
694 × 400 mm



Accessories:

- Automatic drain kit 410051CHR
- Visible Parts in Solid Stainless Steel 400051EDM
- Visible Parts in White Gold 400051WGO
- Visible Parts in Copper 400051COP
- Visible Parts in Gunmetal 400051GUM
- Visible Parts in Puro 400051PUR
- Manual drain kit 410050CHR
- Chopping board, wood 629158
- Silicone Drain Mat 629188
- Silicone Drain Mat Short 629189
- Design Drip Rack 629726S
- Design Drip Rack 629726EDM
- Design Drip Rack 629726COP

- 2x2 Design Drip Rack 629738S
- 2x2 Design Drip Rack 629738EDM
- Corner bowl 629733
- Carrier 629146
- Gastronorm Container GN 2/8 629060
- Gastronorm Container GN 2/8 629061
- Gastronorm Container GN 2/3 629063
- Comfopush, EDM 420016EDM
- Comfopush, CHR 420016CHR
- Amur 629014

TOPMOUNT

UNDERMOUNT

CRISTADUR® CLASSIC LINE

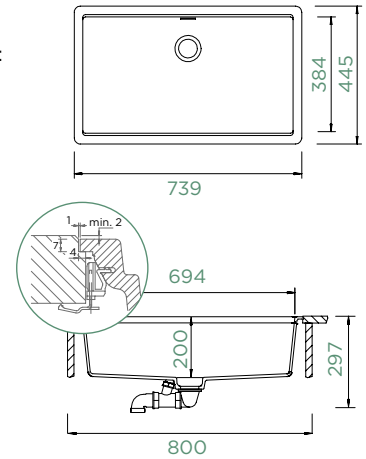
- | | |
|------------------|----------------|
| ● GREN100XLA PUR | GREN100XLU PUR |
| ● GREN100XLA MAG | GREN100XLU MAG |
| ● GREN100XLA STO | GREN100XLU STO |
| ● GREN100XLA BRO | GREN100XLU BRO |
| ● GREN100XLA SIL | GREN100XLU SIL |
| ○ GREN100XLA POL | GREN100XLU POL |



GREENWICH N-100XL

FLUSHMOUNT

Cabinet size: **80 cm**
 Inner dimension of the bowl:
694 × 384 × 200 mm
 Installation: **fixed**
 Cut-out size flushmount:
741 × 447 mm



Accessories:

- Automatic drain kit 410051CHR
- Visible Parts in Solid Stainless Steel 400051EDM
- Visible Parts in White Gold 400051WGO
- Visible Parts in Copper 400051COP
- Visible Parts in Gunmetal 400051GUM
- Visible Parts in Puro 400051PUR
- Manual drain kit 410050CHR
- Chopping board, wood 629158
- Silicone Drain Mat 629188
- Silicone Drain Mat Short 629189
- Design Drip Rack 629726S
- Design Drip Rack 629726EDM
- Design Drip Rack 629726COP

- 2x2 Design Drip Rack 629738S
- 2x2 Design Drip Rack 629738EDM
- Corner bowl 629733
- Carrier 629146
- Gastronorm Container GN 2/8 629060
- Gastronorm Container GN 2/8 629061
- Gastronorm Container GN 2/3 629063
- Comfopush, EDM 420016EDM
- Comfopush, CHR 420016CHR
- Amur 629014

FLUSHMOUNT

CRISTADUR® CLASSIC LINE

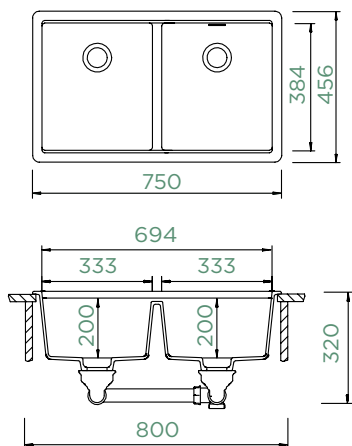
- | |
|-------------------|
| ● GREN100XLFB PUR |
| ● GREN100XLFB MAG |
| ● GREN100XLFB STO |
| ● GREN100XLFB BRO |
| ● GREN100XLFB SIL |
| ○ GREN100XLFB POL |



GREENWICH N-200

TOPMOUNT/UNDERMOUNT

Cabinet size: **80 cm**
 Inner dimension of the bowl:
333 × 384 × 200 mm
 Installation: **fixed**
 Cut-out size topmount:
736 × 442 mm
 Cut-out size undermount:
694 × 400 mm



Accessories:

- Automatic drain kit 410087CHR
- Visible Parts in Solid Stainless Steel 400053EDM
- Visible Parts in White Gold 400053WGO
- Visible Parts in Copper 400053COP
- Visible Parts in Gunmetal 400053GUM
- Visible Parts in Puro 400053PUR
- Manual drain kit 410086CHR
- Chopping board, wood 629158
- Silicone Drain Mat 629188
- Silicone Drain Mat Short 629189
- Design Drip Rack 629726S
- Design Drip Rack 629726EDM
- Design Drip Rack 629726COP

- 2x2 Design Drip Rack 629738S
- 2x2 Design Drip Rack 629738EDM
- Corner bowl 629733
- Carrier 629146
- Gastronorm Container GN 2/8 629060
- Gastronorm Container GN 2/8 629061
- Gastronorm Container GN 2/3 629063
- Comfopush, EDM 420016EDM
- Comfopush, CHR 420016CHR
- Amur 629014

TOPMOUNT

UNDERMOUNT

CRISTADUR® CLASSIC LINE

- GREN200A PUR
- GREN200A MAG
- GREN200A STO
- GREN200A BRO
- GREN200A SIL
- GREN200A POL

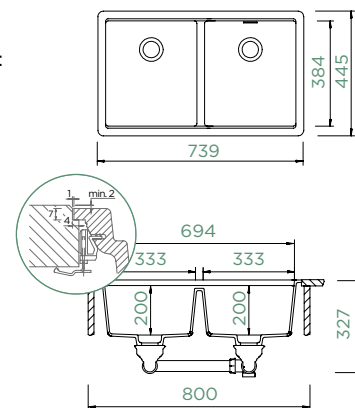
- GREN200U PUR
- GREN200U MAG
- GREN200U STO
- GREN200U BRO
- GREN200U SIL
- GREN200U POL



GREENWICH N-200

FLUSHMOUNT

Cabinet size: **80 cm**
 Inner dimension of the bowl:
333 × 384 × 200 mm
 Installation: **fixed**
 Cut-out size flushmount:
741 × 447 mm



Accessories:

- Automatic drain kit 410087CHR
- Visible Parts in Solid Stainless Steel 400053EDM
- Visible Parts in White Gold 400053WGO
- Visible Parts in Copper 400053COP
- Visible Parts in Gunmetal 400053GUM
- Visible Parts in Puro 400053PUR
- Manual drain kit 410086CHR
- Chopping board, wood 629158
- Silicone Drain Mat 629188
- Silicone Drain Mat Short 629189
- Design Drip Rack 629726S
- Design Drip Rack 629726EDM
- Design Drip Rack 629726COP

- 2x2 Design Drip Rack 629738S
- 2x2 Design Drip Rack 629738EDM
- Corner bowl 629733
- Carrier 629146
- Gastronorm Container GN 2/8 629060
- Gastronorm Container GN 2/8 629061
- Gastronorm Container GN 2/3 629063
- Comfopush, EDM 420016EDM
- Comfopush, CHR 420016CHR
- Amur 629014

FLUSHMOUNT

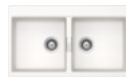
CRISTADUR® CLASSIC LINE

- GREN200FB PUR
- GREN200FB MAG
- GREN200FB STO
- GREN200FB BRO
- GREN200FB SIL
- GREN200FB POL



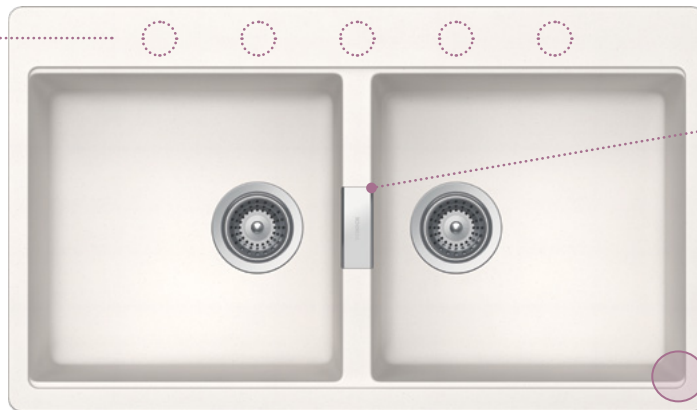
HORIZONT

Tap model **Papilio** in Puro in White on sink model **Horizont N-200** in Puro



N-200

Integrated tap ledge with additional holes for ergonomic positioning of tap, soap dispenser and pop-up control



Designer overflow



Integrated lip for hanging and laying multifunctional accessories

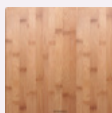
More accessories on p. 216

Fibre-Rock chopping board



(629184)

Chopping board



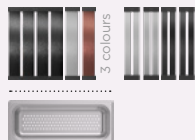
(629158)

Functional bowl



(629051SH)

Drain rack, Gastronorm



Trim



Soap dispenser



Compush Corner dish

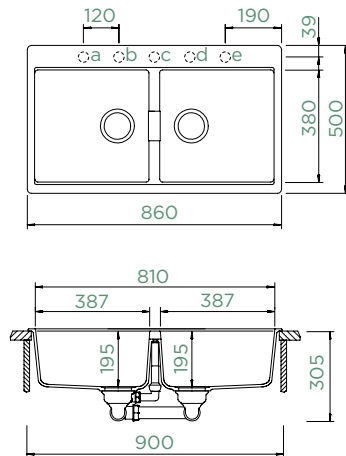




HORIZONT N-200

TOPMOUNT/UNDERMOUNT

Cabinet size: **90 cm**
 Inner dimension of the bowl:
387 × 380 × 195 mm
 Installation: **fixed**
 Cut-out size topmount:
840 × 480 mm
 Cut-out size undermount:
846 × 486 mm



Accessories:

- Automatic drain kit 410067CHR
- Visible Parts in Solid Stainless Steel 400067EDM
- Visible Parts in White Gold 400067WGO
- Visible Parts in Copper 400067COP
- Visible Parts in Gunmetal 400067GUM
- Visible Parts in Puro 400067PUR
- Manual drain kit 410066CHR
- Chopping board, wood 629158
- Chopping board, bamboo 629044
- Chopping board Fibre-Rock 629184
- Design Drip Rack 629726S
- Design Drip Rack 629726EDM
- Design Drip Rack 629726COP
- 2x2 Design Drip Rack 629738S
- 2x2 Design Drip Rack 629738EDM
- Strainer bowl 629051SH
- Corner bowl 629733
- Carrier 629146
- Gastronorm Container GN 2/8 629060

- Gastronorm Container GN 2/8 629061
- Gastronorm Container GN 2/3 629063
- Amur 629014
- Samo CHR 629169CHR
- Samo EDM 629169EDM
- Samo WGO 629169WGO
- Samo GUM 629169GUM
- Samo PUR 629169S
- k.Zub. 629891CHR
- k.Zub. 629891EDM
- Wastecap 628152

TOPMOUNT

UNDERMOUNT

CRISTADUR® CLASSIC LINE

- HONN200A PUR
- HONN200A MAG
- HONN200A STO
- HONN200A BRO
- HONN200A SIL
- HONN200A POL

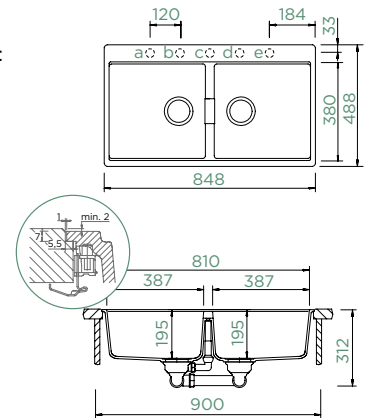
- HONN200U PUR
- HONN200U MAG
- HONN200U STO
- HONN200U BRO
- HONN200U SIL
- HONN200U POL



HORIZONT N-200

FLUSHMOUNT

Cabinet size: **90 cm**
 Inner dimension of the bowl:
387 × 380 × 195 mm
 Installation: **fixed**
 Cut-out size flushmount:
850 × 490 mm



Accessories:

- Automatic drain kit 410067CHR
- Visible Parts in Solid Stainless Steel 400067EDM
- Visible Parts in White Gold 400067WGO
- Visible Parts in Copper 400067COP
- Visible Parts in Gunmetal 400067GUM
- Visible Parts in Puro 400067PUR
- Manual drain kit 410066CHR
- Chopping board, wood 629158
- Chopping board, bamboo 629044
- Chopping board Fibre-Rock 629184
- Design Drip Rack 629726S
- Design Drip Rack 629726EDM
- Design Drip Rack 629726COP
- 2x2 Design Drip Rack 629738S
- 2x2 Design Drip Rack 629738EDM
- Strainer bowl 629051SH
- Corner bowl 629733
- Carrier 629146
- Gastronorm Container GN 2/8 629060

- Gastronorm Container GN 2/8 629061
- Gastronorm Container GN 2/3 629063
- Amur 629014
- Samo CHR 629169CHR
- Samo EDM 629169EDM
- Samo WGO 629169WGO
- Samo GUM 629169GUM
- Samo PUR 629169S
- k.Zub. 629891CHR
- k.Zub. 629891EDM
- Wastecap 628152

FLUSHMOUNT

CRISTADUR® CLASSIC LINE

- HONN200FB PUR
- HONN200FB MAG
- HONN200FB STO
- HONN200FB BRO
- HONN200FB SIL
- HONN200FB POL

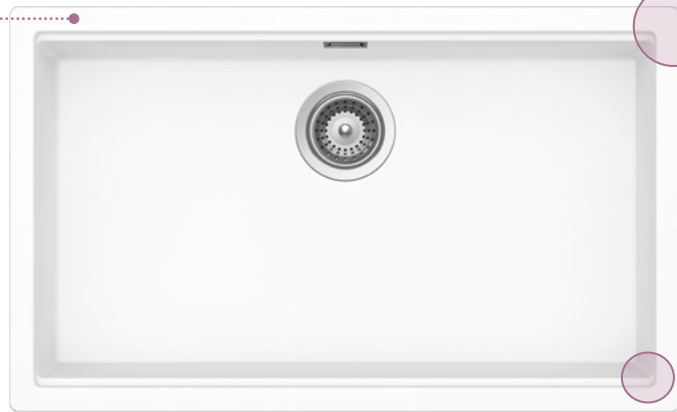


KIRUNA

Tap model **Kavus** in Solid Stainless Steel on sink model **Kiruna N-100L** in Dusk



Two installation options
Same base cabinet for inset and
undermount installation



Tight corners –
modern look



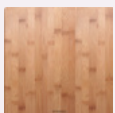
Integrated lip
for hanging and
laying multifunctional
accessories



Pure CRISTADUR® Green Line range

More accessories on p. 216

Chopping
board

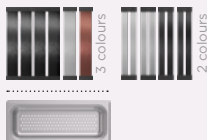


(629158)

Silicone drain
mat



Drain rack,
Gastronorm



Trim



Soap dispenser



Comfopush
Corner dish



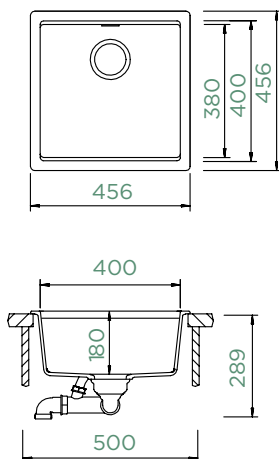


KIRUNA N-100

TOPMOUNT/UNDERMOUNT

Cabinet size: **50 cm**
 Inner dimension of the bowl:
400 × 400 × 180 mm

Installation: **fixed**
 Cut-out size topmount:
442 × 442 mm
 Cut-out size undermount:
400 × 400 mm



Accessories:

- Automatic drain kit 410055CHR
- Visible Parts in Solid Stainless Steel 400055EDM
- Visible Parts in White Gold 400055WGO
- Visible Parts in Copper 400055COP
- Visible Parts in Gunmetal 400055GUM
- Visible Parts in Puro 400055PUR
- Manual drain kit 410054CHR
- Silicone Drain Mat 629188
- Silicone Drain Mat Short 629189
- Design Drip Rack 629726S
- Design Drip Rack 629726EDM
- Design Drip Rack 629726COP
- 2x2 Design Drip Rack 629738S

- 2x2 Design Drip Rack 629738EDM
- Carrier 629146
- Gastronorm Container GN 2/8 629060
- Gastronorm Container GN 2/8 629061
- Gastronorm Container GN 2/3 629063
- Strainer bowl 629051SH
- Corner bowl 629733
- Comfopush, EDM 420016EDM
- Comfopush, CHR 420016CHR
- Amur 629014
- Wastecap 628152

TOPMOUNT

UNDERMOUNT

CRISTADUR® GREEN LINE

- KIRN100A DAY
- KIRN100A DSK
- KIRN100A NGT
- KIRN100A TWI

- KIRN100U DAY
- KIRN100U DSK
- KIRN100U NGT
- KIRN100U TWI

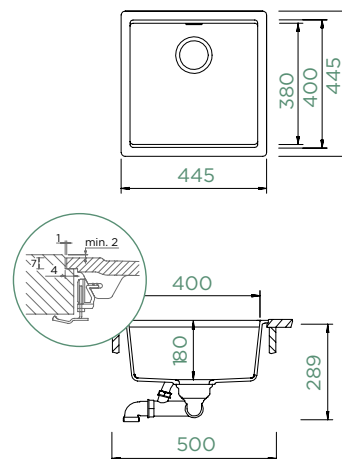


KIRUNA N-100

FLUSHMOUNT

Cabinet size: **50 cm**
 Inner dimension of the bowl:
400 × 400 × 180 mm

Installation: **fixed**
 Cut-out size flushmount:
447 × 447 mm



Accessories:

- Automatic drain kit 410055CHR
- Visible Parts in Solid Stainless Steel 400055EDM
- Visible Parts in White Gold 400055WGO
- Visible Parts in Copper 400055COP
- Visible Parts in Gunmetal 400055GUM
- Visible Parts in Puro 400055PUR
- Manual drain kit 410054CHR
- Silicone Drain Mat 629188
- Silicone Drain Mat Short 629189
- Design Drip Rack 629726S
- Design Drip Rack 629726EDM
- Design Drip Rack 629726COP
- 2x2 Design Drip Rack 629738S

- 2x2 Design Drip Rack 629738EDM
- Carrier 629146
- Gastronorm Container GN 2/8 629060
- Gastronorm Container GN 2/8 629061
- Gastronorm Container GN 2/3 629063
- Strainer bowl 629051SH
- Corner bowl 629733
- Comfopush, EDM 420016EDM
- Comfopush, CHR 420016CHR
- Amur 629014
- Wastecap 628152

FLUSHMOUNT

CRISTADUR® GREEN LINE

- KIRN100FB NGT



KIRUNA N-100L

TOPMOUNT/UNDERMOUNT

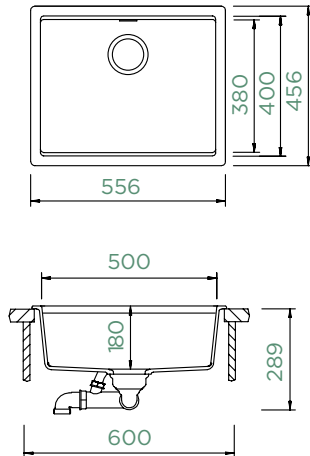
Cabinet size: **60 cm**

Inner dimension of the bowl:
500 × 400 × 180 mm

Installation: **fixed**

Cut-out size topmount:
542 × 442 mm

Cut-out size undermount:
500 × 400 mm



Accessories:

Automatic drain kit 410055CHR
Visible Parts in Solid Stainless Steel 400055EDM
Visible Parts in White Gold 400055WGO
Visible Parts in Copper 400055COP
Visible Parts in Gunmetal 400055GUM
Visible Parts in Puro 400055PUR
Manual drain kit 410054CHR
Chopping board, wood 629158
Silicone Drain Mat 629188
Silicone Drain Mat Short 629189
Design Drip Rack 629726S
Design Drip Rack 629726EDM
Design Drip Rack 629726COP

2x2 Design Drip Rack 629738S
2x2 Design Drip Rack 629738EDM
Carrier 629146
Gastronorm Container GN 2/8 629060
Gastronorm Container GN 2/8 629061
Gastronorm Container GN 2/3 629063
Strainer bowl 629051SH
Corner bowl 629733
Comfopush, EDM 420016EDM
Comfopush, CHR 420016CHR
Amur 629014
Wastecap 628152

TOPMOUNT

UNDERMOUNT

CRISTADUR® GREEN LINE

- KIRN100LA DAY
- KIRN100LA DSK
- KIRN100LA NGT
- KIRN100LA TWI

- KIRN100LU DAY
- KIRN100LU DSK
- KIRN100LU NGT
- KIRN100LU TWI



KIRUNA N-100L

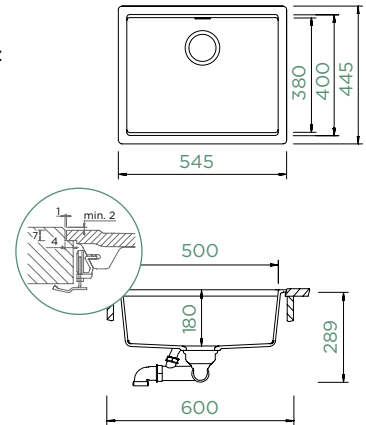
FLUSHMOUNT

Cabinet size: **60 cm**

Inner dimension of the bowl:
500 × 400 × 180 mm

Installation: **fixed**

Cut-out size flushmount:
547 × 447 mm



Accessories:

Automatic drain kit 410055CHR
Visible Parts in Solid Stainless Steel 400055EDM
Visible Parts in White Gold 400055WGO
Visible Parts in Copper 400055COP
Visible Parts in Gunmetal 400055GUM
Visible Parts in Puro 400055PUR
Manual drain kit 410054CHR
Chopping board, wood 629158
Silicone Drain Mat 629188
Silicone Drain Mat Short 629189
Design Drip Rack 629726S
Design Drip Rack 629726EDM
Design Drip Rack 629726COP

2x2 Design Drip Rack 629738S
2x2 Design Drip Rack 629738EDM
Carrier 629146
Gastronorm Container GN 2/8 629060
Gastronorm Container GN 2/8 629061
Gastronorm Container GN 2/3 629063
Strainer bowl 629051SH
Corner bowl 629733
Comfopush, EDM 420016EDM
Comfopush, CHR 420016CHR
Amur 629014
Wastecap 628152

FLUSHMOUNT

CRISTADUR® GREEN LINE

- KIRN100LFB NGT

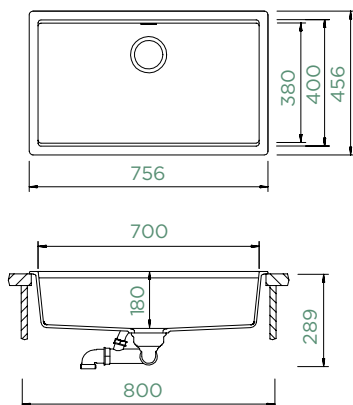


KIRUNA N-100XL

TOPMOUNT/UNDERMOUNT

Cabinet size: **80 cm**
 Inner dimension of the bowl:
700 × 400 × 180 mm

Installation: **fixed**
 Cut-out size topmount:
742 × 442 mm
 Cut-out size undermount:
700 × 400 mm



Accessories:

- Automatic drain kit 410055CHR
- Visible Parts in Solid Stainless Steel 400055EDM
- Visible Parts in White Gold 400055WGO
- Visible Parts in Copper 400055COP
- Visible Parts in Gunmetal 400055GUM
- Visible Parts in Puro 400055PUR
- Manual drain kit 410054CHR
- Chopping board, wood 629158
- Silicone Drain Mat 629188
- Silicone Drain Mat Short 629189
- Design Drip Rack 629726S
- Design Drip Rack 629726EDM
- Design Drip Rack 629726COP

- 2x2 Design Drip Rack 629738S
- 2x2 Design Drip Rack 629738EDM
- Carrier 629146
- Gastronorm Container GN 2/8 629060
- Gastronorm Container GN 2/8 629061
- Gastronorm Container GN 2/3 629063
- Strainer bowl 629051SH
- Corner bowl 629733
- Comfopush, EDM 420016EDM
- Comfopush, CHR 420016CHR
- Amur 629014
- Wastecap 628152

TOPMOUNT

UNDERMOUNT

CRISTADUR® GREEN LINE

- KIRN100XLA DAY
- KIRN100XLA DSK
- KIRN100XLA NGT
- KIRN100XLA TWI

- KIRN100XLU DAY
- KIRN100XLU DSK
- KIRN100XLU NGT
- KIRN100XLU TWI

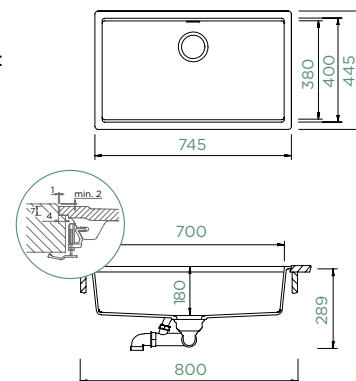


KIRUNA N-100XL

FLUSHMOUNT

Cabinet size: **80 cm**
 Inner dimension of the bowl:
700 × 400 × 180 mm

Installation: **fixed**
 Cut-out size flushmount:
747 × 447 mm



Accessories:

- Automatic drain kit 410055CHR
- Visible Parts in Solid Stainless Steel 400055EDM
- Visible Parts in White Gold 400055WGO
- Visible Parts in Copper 400055COP
- Visible Parts in Gunmetal 400055GUM
- Visible Parts in Puro 400055PUR
- Manual drain kit 410054CHR
- Chopping board, wood 629158
- Silicone Drain Mat 629188
- Silicone Drain Mat Short 629189
- Design Drip Rack 629726S
- Design Drip Rack 629726EDM
- Design Drip Rack 629726COP

- 2x2 Design Drip Rack 629738S
- 2x2 Design Drip Rack 629738EDM
- Carrier 629146
- Gastronorm Container GN 2/8 629060
- Gastronorm Container GN 2/8 629061
- Gastronorm Container GN 2/3 629063
- Strainer bowl 629051SH
- Corner bowl 629733
- Comfopush, EDM 420016EDM
- Comfopush, CHR 420016CHR
- Amur 629014
- Wastecap 628152

FLUSHMOUNT

CRISTADUR® GREEN LINE

- KIRN100XLFB NGT

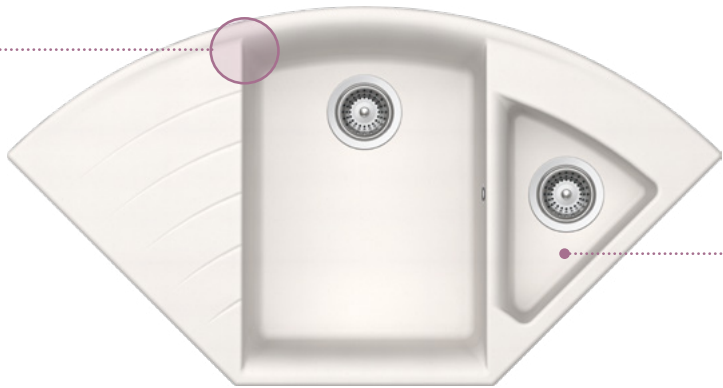


LOTUS

Tap model **Laios** in Solid Stainless Steel on sink model **Lotus C-150** in Polaris



Smooth contours that are even easier to clean



Practical second bowl perfect for holding a multifunctional bowl or pouring away liquids

More accessories on p. 216

Functional bowl



(629057)

Trim



Comfopush



Wastecap





LOTUS C-150

TOPMOUNT/UNDERMOUNT

Cabinet size: **90 x 90 cm**

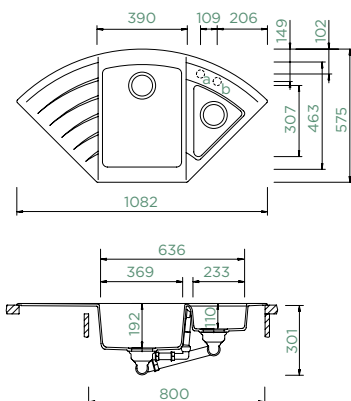
Inner dimension of the bowl:

369 x 463 x 192 mm

Installation: **bowl right**

Cut-out size topmount:
according to template

Cut-out size undermount:
Please use dxf data



Accessories:

Automatic drain kit 410063CHR

Visible Parts in Solid Stainless Steel
400063EDM

Visible Parts in White Gold 400063WGO

Visible Parts in Copper 400063COP

Visible Parts in Gunmetal 400063GUM

Visible Parts in Puro 400063PUR

Manual drain kit 410062CHR

Strainer bowl 629057

Comfopush, EDM 420016EDM

Comfopush, CHR 420016CHR

Wastecap 628152

LED-light 629024/R

TOPMOUNT

UNDERMOUNT

CRISTADUR® CLASSIC LINE

- LOTC150A PUR
- LOTC150A MAG
- LOTC150A STO
- LOTC150A BRO
- LOTC150A SIL
- LOTC150A POL

- LOTC150U PUR
- LOTC150U MAG
- LOTC150U STO
- LOTC150U BRO
- LOTC150U SIL
- LOTC150U POL



MONO

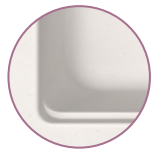
Tap model **Keto** in Copper on sink model **Mono D-100** in Bronze

Wide choice of designs

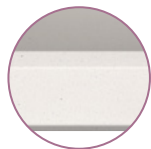


With tap ledge on the side for under-window installation

As a round bowl



N-100S, N-100
Integrated lip for hanging and laying multifunctional accessories



Purist design language with elegant bevels



Tight corners – modern look



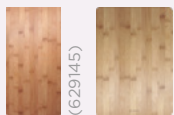
Designer overflow



Also in CRISTADUR® Green Line

More accessories on p. 216

Chopping boards



(629145)

(629159)

N-100S, N-100

Drain rack



D-100XS, D-100S, D-100, D-100L, D-150, D-200

Gastronom Functional bowl



2 colours

(629017)

N-100S, N-100

Trim



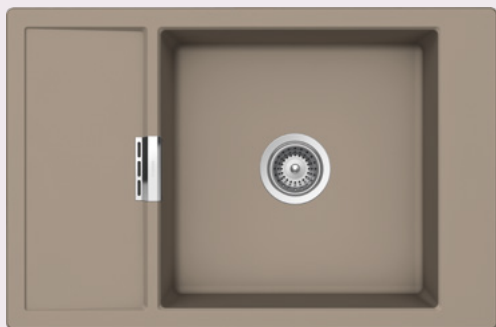
Soap dispenser



Comfopush Corner dish



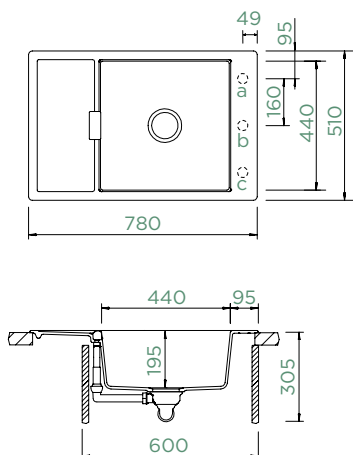
not for R-100



MONO D-100XS

TOPMOUNT/UNDERMOUNT

Cabinet size: **60 cm**
 Inner dimension of the bowl:
440 × 440 × 195 mm
 Installation: **reversible**
 Cut-out size topmount:
760 × 490 mm
 Cut-out size undermount:
764 × 494 mm
 Worktop for built-in
 dishwasher: **22 mm**



Accessories:

- Automatic drain kit 410069CHR
- Visible Parts in Solid Stainless Steel 400069EDM
- Visible Parts in White Gold 400069WGO
- Visible Parts in Copper 400069COP
- Visible Parts in Gunmetal 400069GUM
- Visible Parts in Puro 400069PUR
- Manual drain kit 410068CHR
- Chopping board, bamboo 629145
- Carrier 629138
- Design Drip Rack 629725S
- Design Drip Rack 629725EDM
- Design Drip Rack 629725COP
- Corner bowl 629733

- Comfopush, EDM 420016EDM
- Comfopush, CHR 420016CHR
- Amur 629014
- Samo CHR 629169CHR
- Samo EDM 629169EDM
- Samo WGO 629169WGO
- Samo COP 629169COP
- Samo GUM 629169GUM
- Samo PUR 629169S
- Wastecap 628152

TOPMOUNT

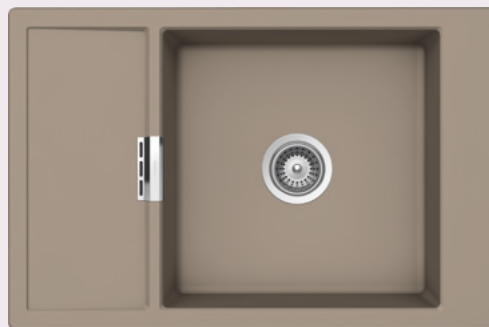
UNDERMOUNT

CRISTADUR® CLASSIC LINE

- | | |
|------------------|----------------|
| ● MOND100XSA PUR | MOND100XSU PUR |
| ● MOND100XSA MAG | MOND100XSU MAG |
| ● MOND100XSA STO | MOND100XSU STO |
| ● MOND100XSA BRO | MOND100XSU BRO |
| ● MOND100XSA SIL | MOND100XSU SIL |
| ○ MOND100XSA POL | MOND100XSU POL |
| ● MOND100XSA ROU | MOND100XSU ROU |

CRISTADUR® GREEN LINE

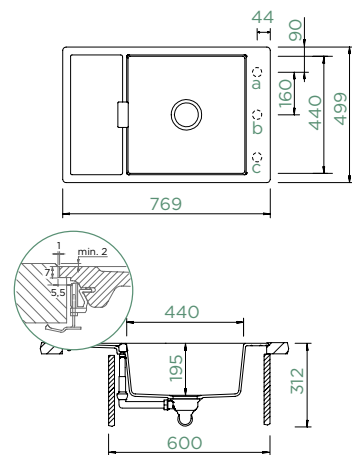
- | | |
|------------------|----------------|
| ○ MOND100XSA DAY | MOND100XSU DAY |
| ● MOND100XSA DSK | MOND100XSU DSK |
| ● MOND100XSA NGT | MOND100XSU NGT |
| ● MOND100XSA TWI | MOND100XSU TWI |



MONO D-100XS

FLUSHMOUNT

Cabinet size: **60 cm**
 Inner dimension of the bowl:
440 × 440 × 195 mm
 Installation: **reversible**
 Cut-out size flushmount:
771 × 501 mm
 Worktop for built-in
 dishwasher: **30 mm**



Accessories:

- Automatic drain kit 410069CHR
- Visible Parts in Solid Stainless Steel 400069EDM
- Visible Parts in White Gold 400069WGO
- Visible Parts in Copper 400069COP
- Visible Parts in Gunmetal 400069GUM
- Visible Parts in Puro 400069PUR
- Manual drain kit 410068CHR
- Chopping board, bamboo 629145
- Carrier 629138
- Design Drip Rack 629725S
- Design Drip Rack 629725EDM
- Design Drip Rack 629725COP
- Corner bowl 629733

- Comfopush, EDM 420016EDM
- Comfopush, CHR 420016CHR
- Amur 629014
- Samo CHR 629169CHR
- Samo EDM 629169EDM
- Samo WGO 629169WGO
- Samo COP 629169COP
- Samo GUM 629169GUM
- Samo PUR 629169S
- Wastecap 628152

FLUSHMOUNT

CRISTADUR® CLASSIC LINE

- | |
|-------------------|
| ● MOND100XSFB PUR |
| ● MOND100XSFB MAG |
| ● MOND100XSFB STO |
| ● MOND100XSFB BRO |
| ● MOND100XSFB SIL |
| ○ MOND100XSFB POL |
| ● MOND100XSFB ROU |

CRISTADUR® GREEN LINE

- | |
|-------------------|
| ○ MOND100XSFB DAY |
| ● MOND100XSFB DSK |
| ● MOND100XSFB NGT |
| ● MOND100XSFB TWI |

Note: The bamboo chopping board (629145) or the draining rack (629138) are best hung inside the sink parallel to the worktop.

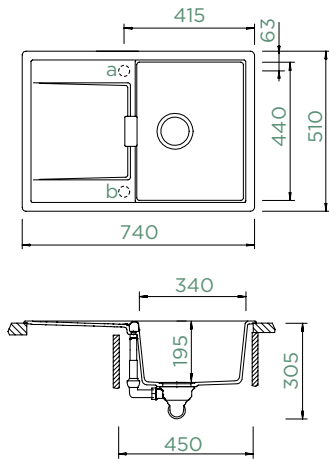
Note: The bamboo chopping board (629145) or the draining rack (629138) are best hung inside the sink parallel to the worktop.



MONO D-100S

TOPMOUNT/UNDERMOUNT

Cabinet size: **45 cm**
 Inner dimension of the bowl:
340 × 440 × 195 mm
 Installation: **reversible**
 Cut-out size topmount:
720 × 490 mm
 Cut-out size undermount:
724 × 494 mm
 Worktop for built-in
 dishwasher: **27 mm**



Accessories:
 Automatic drain kit 410069CHR
Visible Parts in Solid Stainless Steel
 400069EDM
Visible Parts in White Gold 400069WGO
Visible Parts in Copper 400069COP
Visible Parts in Gunmetal 400069GUM
Visible Parts in Puro 400069PUR
 Manual drain kit 410068CHR
 Chopping board, bamboo 629145
 Design Drip Rack 629725S
 Design Drip Rack 629725EDM
 Design Drip Rack 629725COP
 Corner bowl 629733
 Comfopush, EDM 420016EDM

Comfopush, CHR 420016CHR
 Wastecap 628152

TOPMOUNT

UNDERMOUNT

CRISTADUR® CLASSIC LINE

- | | |
|-----------------|---------------|
| ● MOND100SA PUR | MOND100SU PUR |
| ● MOND100SA MAG | MOND100SU MAG |
| ● MOND100SA STO | MOND100SU STO |
| ● MOND100SA BRO | MOND100SU BRO |
| ● MOND100SA SIL | MOND100SU SIL |
| ○ MOND100SA POL | MOND100SU POL |
| ● MOND100SA ROU | MOND100SU ROU |

CRISTADUR® GREEN LINE

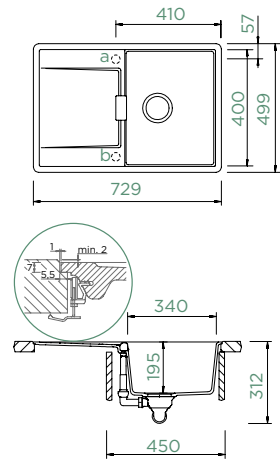
- | | |
|-----------------|---------------|
| ○ MOND100SA DAY | MOND100SU DAY |
| ● MOND100SA DSK | MOND100SU DSK |
| ● MOND100SA NGT | MOND100SU NGT |
| ● MOND100SA TWI | MOND100SU TWI |



MONO D-100S

FLUSHMOUNT

Cabinet size: **45 cm**
 Inner dimension of the bowl:
340 × 440 × 195 mm
 Installation: **reversible**
 Cut-out size flushmount:
731 × 501 mm
 Worktop for built-in
 dishwasher: **35 mm**



Accessories:
 Automatic drain kit 410069CHR
Visible Parts in Solid Stainless Steel
 400069EDM
Visible Parts in White Gold 400069WGO
Visible Parts in Copper 400069COP
Visible Parts in Gunmetal 400069GUM
Visible Parts in Puro 400069PUR
 Manual drain kit 410068CHR
 Chopping board, bamboo 629145
 Design Drip Rack 629725S
 Design Drip Rack 629725EDM
 Design Drip Rack 629725COP
 Corner bowl 629733
 Comfopush, EDM 420016EDM

Comfopush, CHR 420016CHR
 Wastecap 628152

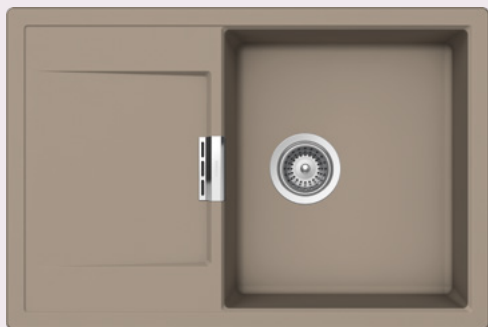
FLUSHMOUNT

CRISTADUR® CLASSIC LINE

- | |
|------------------|
| ● MOND100SFB PUR |
| ● MOND100SFB MAG |
| ● MOND100SFB STO |
| ● MOND100SFB BRO |
| ● MOND100SFB SIL |
| ○ MOND100SFB POL |
| ● MOND100SFB ROU |

CRISTADUR® GREEN LINE

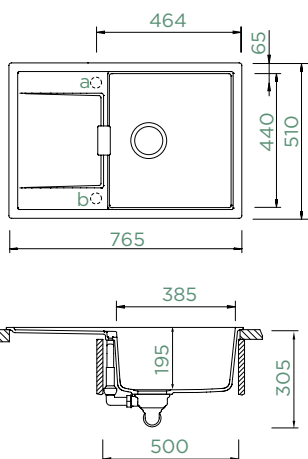
- | |
|------------------|
| ○ MOND100SFB DAY |
| ● MOND100SFB DSK |
| ● MOND100SFB NGT |
| ● MOND100SFB TWI |



MONO D-100

TOPMOUNT/UNDERMOUNT

Cabinet size: **50 cm**
 Inner dimension of the bowl:
385 × 440 × 195 mm
 Installation: **reversible**
 Cut-out size topmount:
745 × 490 mm
 Cut-out size undermount:
749 × 494 mm
 Worktop for built-in
 dishwasher: **27 mm**



Accessories:

- Automatic drain kit 410069CHR
- Visible Parts in Solid Stainless Steel 400069EDM
- Visible Parts in White Gold 400069WGO
- Visible Parts in Copper 400069COP
- Visible Parts in Gunmetal 400069GUM
- Visible Parts in Puro 400069PUR
- Manual drain kit 410068CHR
- Chopping board, bamboo 629145
- Design Drip Rack 629725S
- Design Drip Rack 629725EDM
- Design Drip Rack 629725COP
- Corner bowl 629733
- Comfopush, EDM 420016EDM

- Comfopush, CHR 420016CHR
- Indutherm 629100
- Wastecap 628152

TOPMOUNT

UNDERMOUNT

CRISTADUR® CLASSIC LINE

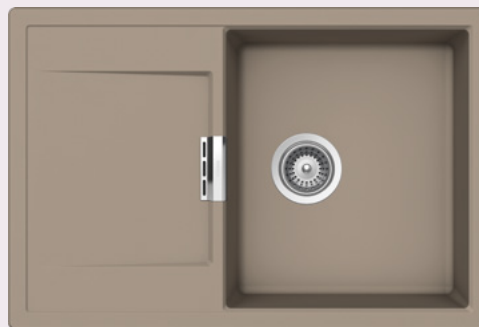
- MOND100A PUR
- MOND100A MAG
- MOND100A STO
- MOND100A BRO
- MOND100A SIL
- MOND100A POL
- MOND100A ROU

- MOND100U PUR
- MOND100U MAG
- MOND100U STO
- MOND100U BRO
- MOND100U SIL
- MOND100U POL
- MOND100U ROU

CRISTADUR® GREEN LINE

- MOND100A DAY
- MOND100A DSK
- MOND100A NGT
- MOND100A TWI

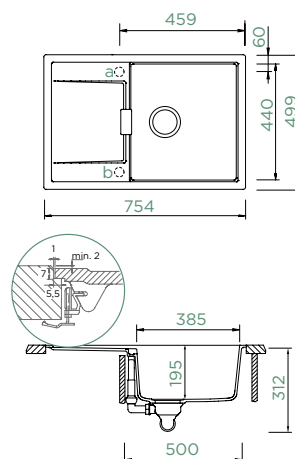
- MOND100U DAY
- MOND100U DSK
- MOND100U NGT
- MOND100U TWI



MONO D-100

FLUSHMOUNT

Cabinet size: **50 cm**
 Inner dimension of the bowl:
385 × 440 × 195 mm
 Installation: **reversible**
 Cut-out size flushmount:
756 × 501 mm
 Worktop for built-in
 dishwasher: **35 mm**



Accessories:

- Automatic drain kit 410069CHR
- Visible Parts in Solid Stainless Steel 400069EDM
- Visible Parts in White Gold 400069WGO
- Visible Parts in Copper 400069COP
- Visible Parts in Gunmetal 400069GUM
- Visible Parts in Puro 400069PUR
- Manual drain kit 410068CHR
- Chopping board, bamboo 629145
- Design Drip Rack 629725S
- Design Drip Rack 629725EDM
- Design Drip Rack 629725COP
- Corner bowl 629733
- Comfopush, EDM 420016EDM

- Comfopush, CHR 420016CHR
- Indutherm 629100
- Wastecap 628152

FLUSHMOUNT

CRISTADUR® CLASSIC LINE

- MOND100FB PUR
- MOND100FB MAG
- MOND100FB STO
- MOND100FB BRO
- MOND100FB SIL
- MOND100FB POL
- MOND100FB ROU

CRISTADUR® GREEN LINE

- MOND100FB DAY
- MOND100FB DSK
- MOND100FB NGT
- MOND100FB TWI



MONO D-100L

TOPMOUNT/UNDERMOUNT

Cabinet size: **60 cm**

Inner dimension of the bowl:

480 × 440 × 195 mm

Installation: **reversible**

Cut-out size topmount:

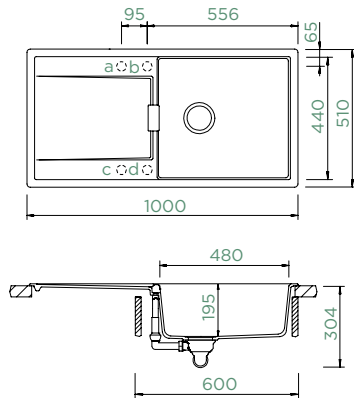
980 × 490 mm

Cut-out size undermount:

984 × 494 mm

Worktop for built-in

dishwasher: **22 mm**



Accessories:

Automatic drain kit 410069CHR

Visible Parts in Solid Stainless Steel 400069EDM

Visible Parts in White Gold 400069WGO

Visible Parts in Copper 400069COP

Visible Parts in Gunmetal 400069GUM

Visible Parts in Puro 400069PUR

Manual drain kit 410068CHR

Chopping board, bamboo 629145

Design Drip Rack 629725S

Design Drip Rack 629725EDM

Design Drip Rack 629725COP

Corner bowl 629733

Amur 629014

Samo CHR 629169CHR

Samo EDM 629169EDM

Samo WGO 629169WGO

Samo COP 629169COP

Samo GUM 629169GUM

Samo PUR 629169S

Comfopush, EDM 420016EDM

Comfopush, CHR 420016CHR

Indutherm 629100

Wastecap 628152

TOPMOUNT

UNDERMOUNT

CRISTADUR® CLASSIC LINE

- MOND100LA PUR
- MOND100LA MAG
- MOND100LA STO
- MOND100LA BRO
- MOND100LA SIL
- MOND100LA POL
- MOND100LA ROU

- MOND100LU PUR
- MOND100LU MAG
- MOND100LU STO
- MOND100LU BRO
- MOND100LU SIL
- MOND100LU POL
- MOND100LU ROU

CRISTADUR® GREEN LINE

- MOND100LA DAY
- MOND100LA DSK
- MOND100LA NGT
- MOND100LA TWI

- MOND100LU DAY
- MOND100LU DSK
- MOND100LU NGT
- MOND100LU TWI



MONO D-100L

FLUSHMOUNT

Cabinet size: **60 cm**

Inner dimension of the bowl:

480 × 440 × 195 mm

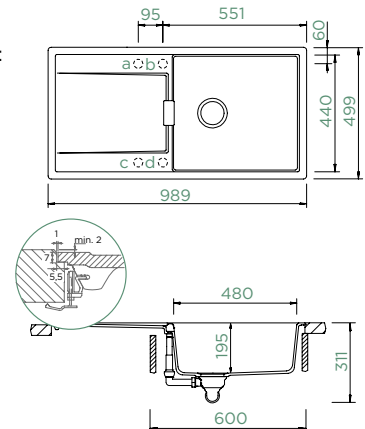
Installation: **reversible**

Cut-out size flushmount:

991 × 501 mm

Worktop for built-in

dishwasher: **30 mm**



Accessories:

Automatic drain kit 410069CHR

Visible Parts in Solid Stainless Steel 400069EDM

Visible Parts in White Gold 400069WGO

Visible Parts in Copper 400069COP

Visible Parts in Gunmetal 400069GUM

Visible Parts in Puro 400069PUR

Manual drain kit 410068CHR

Chopping board, bamboo 629145

Design Drip Rack 629725S

Design Drip Rack 629725EDM

Design Drip Rack 629725COP

Corner bowl 629733

Amur 629014

Samo CHR 629169CHR

Samo EDM 629169EDM

Samo WGO 629169WGO

Samo COP 629169COP

Samo GUM 629169GUM

Samo PUR 629169S

Comfopush, EDM 420016EDM

Comfopush, CHR 420016CHR

Indutherm 629100

Wastecap 628152

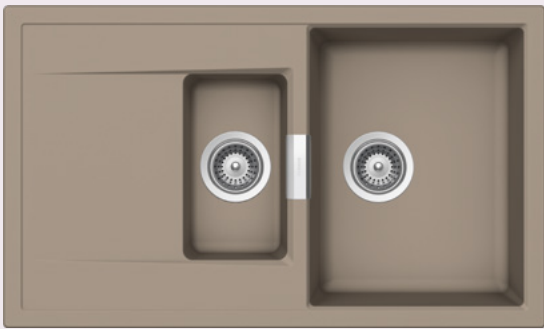
FLUSHMOUNT

CRISTADUR® CLASSIC LINE

- MOND100LFB PUR
- MOND100LFB MAG
- MOND100LFB STO
- MOND100LFB BRO
- MOND100LFB SIL
- MOND100LFB POL
- MOND100LFB ROU

CRISTADUR® GREEN LINE

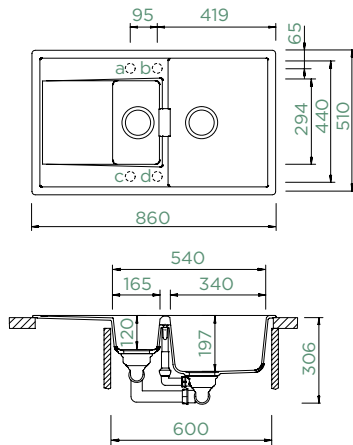
- MOND100LFB DAY
- MOND100LFB DSK
- MOND100LFB NGT
- MOND100LFB TWI



MONO D-150

TOPMOUNT/UNDERMOUNT

Cabinet size: **60 cm**
 Inner dimension of the bowl:
340 × 440 × 197 mm
 Installation: **reversible**
 Cut-out size topmount:
840 × 490 mm
 Cut-out size undermount:
844 × 494 mm
 Worktop for built-in
 dishwasher: **27 mm**



Accessories:

Automatic drain kit 410071CHR
Visible Parts in Solid Stainless Steel 400071EDM
Visible Parts in White Gold 400071WGO
Visible Parts in Copper 400071COP
Visible Parts in Gunmetal 400071GUM
Visible Parts in Puro 400071PUR
 Manual drain kit 410070CHR
 Chopping board, bamboo 629145
 Design Drip Rack 629725S
 Design Drip Rack 629725EDM
 Design Drip Rack 629725COP
 Corner bowl 629733
 Comfopush, EDM 420016EDM

Comfopush, CHR 420016CHR
 Amur 629014
 Samo CHR 629169CHR
 Samo EDM 629169EDM
 Samo WGO 629169WGO
 Samo COP 629169COP
 Samo GUM 629169GUM
 Samo PUR 629169S
 Wastecap 628152

TOPMOUNT

UNDERMOUNT

CRISTADUR® CLASSIC LINE

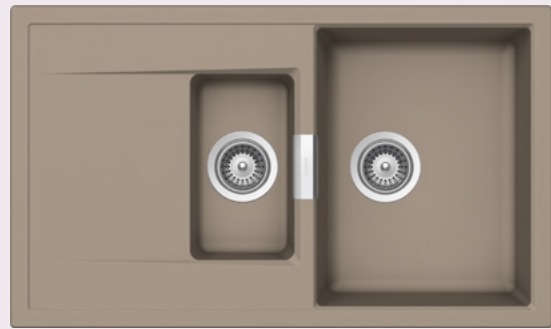
- MOND150A PUR
- MOND150A MAG
- MOND150A STO
- MOND150A BRO
- MOND150A SIL
- MOND150A POL
- MOND150A ROU

- MOND150U PUR
- MOND150U MAG
- MOND150U STO
- MOND150U BRO
- MOND150U SIL
- MOND150U POL
- MOND150U ROU

CRISTADUR® GREEN LINE

- MOND150A DAY
- MOND150A DSK
- MOND150A NGT
- MOND150A TWI

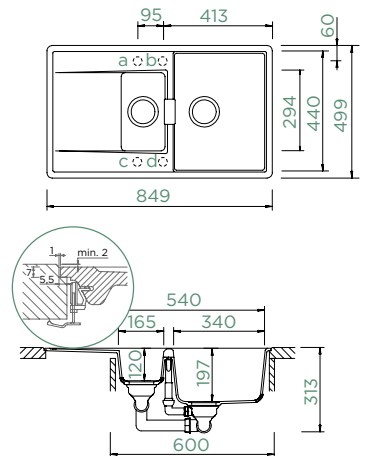
- MOND150U DAY
- MOND150U DSK
- MOND150U NGT
- MOND150U TWI



MONO D-150

FLUSHMOUNT

Cabinet size: **60 cm**
 Inner dimension of the bowl:
340 × 440 × 197 mm
 Installation: **reversible**
 Cut-out size flushmount:
851 × 501 mm
 Worktop for built-in
 dishwasher: **35 mm**



Accessories:

Automatic drain kit 410071CHR
Visible Parts in Solid Stainless Steel 400071EDM
Visible Parts in White Gold 400071WGO
Visible Parts in Copper 400071COP
Visible Parts in Gunmetal 400071GUM
Visible Parts in Puro 400071PUR
 Manual drain kit 410070CHR
 Chopping board, bamboo 629145
 Design Drip Rack 629725S
 Design Drip Rack 629725EDM
 Design Drip Rack 629725COP
 Corner bowl 629733
 Comfopush, EDM 420016EDM

Comfopush, CHR 420016CHR
 Amur 629014
 Samo CHR 629169CHR
 Samo EDM 629169EDM
 Samo WGO 629169WGO
 Samo COP 629169COP
 Samo GUM 629169GUM
 Samo PUR 629169S
 Wastecap 628152

FLUSHMOUNT

CRISTADUR® CLASSIC LINE

- MOND150FB PUR
- MOND150FB MAG
- MOND150FB STO
- MOND150FB BRO
- MOND150FB SIL
- MOND150FB POL
- MOND150FB ROU

CRISTADUR® GREEN LINE

- MOND150FB DAY
- MOND150FB DSK
- MOND150FB NGT
- MOND150FB TWI



MONO D-200

TOPMOUNT/UNDERMOUNT

Cabinet size: **80 cm**

Inner dimension of the bowl:

330 × 438 × 195 mm

Installation: **reversible**

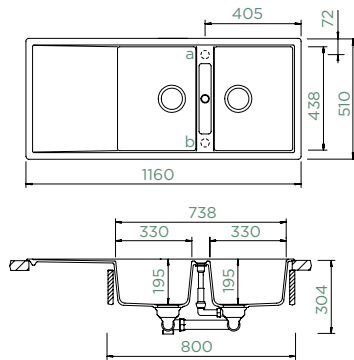
Cut-out size topmount:

1140 × 490 mm

Cut-out size undermount:

1144 × 494 mm

Worktop for built-in
dishwasher: **22 mm**



Accessories:

Automatic drain kit 410089CHR
Visible Parts in Solid Stainless Steel 400063EDM
Visible Parts in White Gold 400063WGO
Visible Parts in Copper 400063COP
Visible Parts in Gunmetal 400063GUM
Visible Parts in Puro 400063PUR
Manual drain kit 410088CHR
Chopping board, bamboo 629145
Design Drip Rack 629725S
Design Drip Rack 629725EDM
Design Drip Rack 629725COP
Corner bowl 629733
Indutherm 629100

Wastecap 628152

TOPMOUNT

UNDERMOUNT

CRISTADUR® CLASSIC LINE

- MOND200A PUR
- MOND200A MAG
- MOND200A STO
- MOND200A BRO
- MOND200A SIL
- MOND200A POL
- MOND200A ROU

- MOND200U PUR
- MOND200U MAG
- MOND200U STO
- MOND200U BRO
- MOND200U SIL
- MOND200U POL
- MOND200U ROU



MONO D-200

FLUSHMOUNT

Cabinet size: **80 cm**

Inner dimension of the bowl:

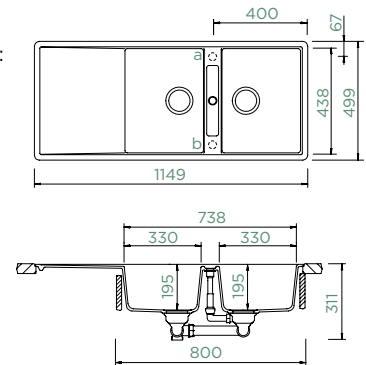
330 × 438 × 195 mm

Installation: **reversible**

Cut-out size flushmount:

1151 × 501 mm

Worktop for built-in
dishwasher: **30 mm**



Accessories:

Automatic drain kit 410089CHR
Visible Parts in Solid Stainless Steel 400063EDM
Visible Parts in White Gold 400063WGO
Visible Parts in Copper 400063COP
Visible Parts in Gunmetal 400063GUM
Visible Parts in Puro 400063PUR
Manual drain kit 410088CHR
Chopping board, bamboo 629145
Design Drip Rack 629725S
Design Drip Rack 629725EDM
Design Drip Rack 629725COP
Corner bowl 629733
Indutherm 629100

Wastecap 628152

FLUSHMOUNT

CRISTADUR® CLASSIC LINE

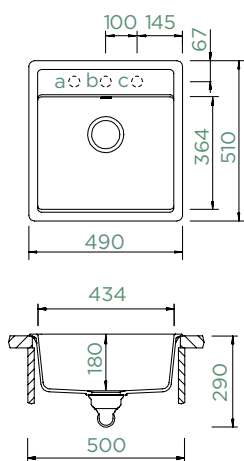
- MOND200FB PUR
- MOND200FB MAG
- MOND200FB STO
- MOND200FB BRO
- MOND200FB SIL
- MOND200FB POL
- MOND200FB ROU



MONO N-100S

TOPMOUNT/UNDERMOUNT

Cabinet size: **50 cm**
 Inner dimension of the bowl:
434 × 364 × 180 mm
 Installation: **fixed**
 Cut-out size topmount:
470 × 490 mm
 Cut-out size undermount:
434 × 454 mm



Accessories:

- Automatic drain kit 410061CHR
- Visible Parts in Solid Stainless Steel 400061EDM
- Visible Parts in White Gold 400061WGO
- Visible Parts in Copper 400061COP
- Visible Parts in Gunmetal 400061GUM
- Visible Parts in Puro 400061PUR
- Manual drain kit 410060CHR
- Chopping board, bamboo 629159
- Silicone Drain Mat 629188
- Silicone Drain Mat Short 629189
- Strainer bowl 629017
- Corner bowl 629733
- Carrier 629151
- Gastronorm Container GN 2/8 629060

- Gastronorm Container GN 2/8 629061
- Gastronorm Container GN 2/3 629063
- Comfopush, EDM 420016EDM
- Comfopush, CHR 420016CHR
- Amur 629014
- Samo CHR 629169CHR
- Samo EDM 629169EDM
- Samo WGO 629169WGO
- Samo COP 629169COP
- Samo GUM 629169GUM
- Samo PUR 629169S
- Wastecap 628152

TOPMOUNT

UNDERMOUNT

CRISTADUR® CLASSIC LINE

- MONN100SA PUR
- MONN100SA MAG
- MONN100SA STO
- MONN100SA BRO
- MONN100SA SIL
- MONN100SA POL
- MONN100SA ROU

- MONN100SU PUR
- MONN100SU MAG
- MONN100SU STO
- MONN100SU BRO
- MONN100SU SIL
- MONN100SU POL
- MONN100SU ROU

CRISTADUR® GREEN LINE

- MONN100SA DAY
- MONN100SA DSK
- MONN100SA NGT
- MONN100SA TWI

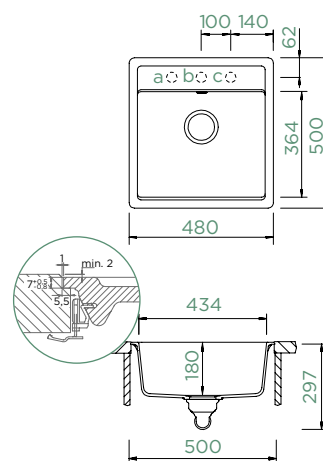
- MONN100SU DAY
- MONN100SU DSK
- MONN100SU NGT
- MONN100SU TWI



MONO N-100S

FLUSHMOUNT

Cabinet size: **50 cm**
 Inner dimension of the bowl:
434 × 364 × 180 mm
 Installation: **fixed**
 Cut-out size flushmount:
482 × 502 mm



Accessories:

- Automatic drain kit 410061CHR
- Visible Parts in Solid Stainless Steel 400061EDM
- Visible Parts in White Gold 400061WGO
- Visible Parts in Copper 400061COP
- Visible Parts in Gunmetal 400061GUM
- Visible Parts in Puro 400061PUR
- Manual drain kit 410060CHR
- Chopping board, bamboo 629159
- Silicone Drain Mat 629188
- Silicone Drain Mat Short 629189
- Strainer bowl 629017
- Corner bowl 629733
- Carrier 629151
- Gastronorm Container GN 2/8 629060

- Gastronorm Container GN 2/8 629061
- Gastronorm Container GN 2/3 629063
- Comfopush, EDM 420016EDM
- Comfopush, CHR 420016CHR
- Amur 629014
- Samo CHR 629169CHR
- Samo EDM 629169EDM
- Samo WGO 629169WGO
- Samo COP 629169COP
- Samo GUM 629169GUM
- Samo PUR 629169S
- Wastecap 628152

FLUSHMOUNT

CRISTADUR® CLASSIC LINE

- MONN100SFB PUR
- MONN100SFB MAG
- MONN100SFB STO
- MONN100SFB BRO
- MONN100SFB SIL
- MONN100SFB POL
- MONN100SFB ROU

CRISTADUR® GREEN LINE

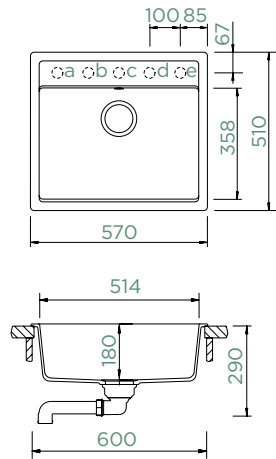
- MONN100SFB DAY
- MONN100SFB DSK
- MONN100SFB NGT
- MONN100SFB TWI



MONO N-100

TOPMOUNT/UNDERMOUNT

Cabinet size: **60 cm**
 Inner dimension of the bowl:
514 × 358 × 180 mm
 Installation: **fixed**
 Cut-out size topmount:
552 × 490 mm
 Cut-out size undermount:
514 × 454 mm



Accessories:

- Automatic drain kit 410061CHR
- Visible Parts in Solid Stainless Steel 400061EDM
- Visible Parts in White Gold 400061WGO
- Visible Parts in Copper 400061COP
- Visible Parts in Gunmetal 400061GUM
- Visible Parts in Puro 400061PUR
- Manual drain kit 410060CHR
- Chopping board, bamboo 629159
- Silicone Drain Mat 629188
- Silicone Drain Mat Short 629189
- Strainer bowl 629017
- Corner bowl 629733
- Carrier 629151
- Gastronorm Container GN 2/8 629060

- Gastronorm Container GN 2/8 629061
- Gastronorm Container GN 2/3 629063
- Comfopush, EDM 420016EDM
- Comfopush, CHR 420016CHR
- Amur 629014
- Samo CHR 629169CHR
- Samo EDM 629169EDM
- Samo WGO 629169WGO
- Samo COP 629169COP
- Samo GUM 629169GUM
- Samo PUR 629169S
- Wastecap 628152

TOPMOUNT

UNDERMOUNT

CRISTADUR® CLASSIC LINE

- MONN100A PUR
- MONN100A MAG
- MONN100A STO
- MONN100A BRO
- MONN100A SIL
- MONN100A POL
- MONN100A ROU

- MONN100U PUR
- MONN100U MAG
- MONN100U STO
- MONN100U BRO
- MONN100U SIL
- MONN100U POL
- MONN100U ROU

CRISTADUR® GREEN LINE

- MONN100A DAY
- MONN100A DSK
- MONN100A NGT
- MONN100A TWI

- MONN100U DAY
- MONN100U DSK
- MONN100U NGT
- MONN100U TWI

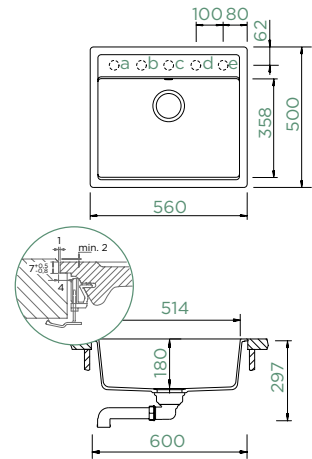
Note: Undermount installation in a 60 cm cabinet requires some adaptations.



MONO N-100

FLUSHMOUNT

Cabinet size: **60 cm**
 Inner dimension of the bowl:
514 × 358 × 180 mm
 Installation: **fixed**
 Cut-out size flushmount:
562 × 502 mm



Accessories:

- Automatic drain kit 410061CHR
- Visible Parts in Solid Stainless Steel 400061EDM
- Visible Parts in White Gold 400061WGO
- Visible Parts in Copper 400061COP
- Visible Parts in Gunmetal 400061GUM
- Visible Parts in Puro 400061PUR
- Manual drain kit 410060CHR
- Chopping board, bamboo 629159
- Silicone Drain Mat 629188
- Silicone Drain Mat Short 629189
- Strainer bowl 629017
- Corner bowl 629733
- Carrier 629151
- Gastronorm Container GN 2/8 629060

- Gastronorm Container GN 2/8 629061
- Gastronorm Container GN 2/3 629063
- Comfopush, EDM 420016EDM
- Comfopush, CHR 420016CHR
- Amur 629014
- Samo CHR 629169CHR
- Samo EDM 629169EDM
- Samo WGO 629169WGO
- Samo COP 629169COP
- Samo GUM 629169GUM
- Samo PUR 629169S
- Wastecap 628152

FLUSHMOUNT

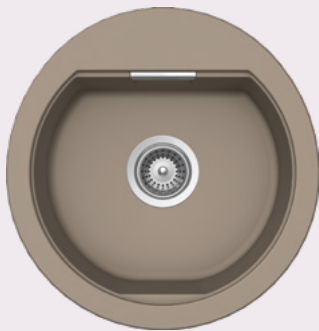
CRISTADUR® CLASSIC LINE

- MONN100FB PUR
- MONN100FB MAG
- MONN100FB STO
- MONN100FB BRO
- MONN100FB SIL
- MONN100FB POL
- MONN100FB ROU

CRISTADUR® GREEN LINE

- MONN100FB DAY
- MONN100FB DSK
- MONN100FB NGT
- MONN100FB TWI

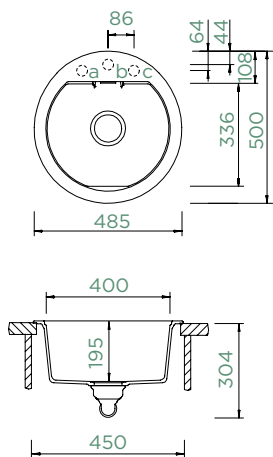
Note: Undermount installation in a 60 cm cabinet requires some adaptations.



MONO R-100

TOPMOUNT/UNDERMOUNT

Cabinet size: **45 cm**
 Inner dimension of the bowl:
400 × 336 × 195 mm
 Installation: **fixed**
 Cut-out size topmount:
according to template
 Cut-out size undermount:
according to template



Accessories:

- Automatic drain kit 410075CHR
- Visible Parts in Solid Stainless Steel 400075EDM
- Visible Parts in White Gold 400075WGO
- Visible Parts in Copper 400075COP
- Visible Parts in Gunmetal 400075GUM
- Visible Parts in Puro 400075PUR
- Manual drain kit 410074CHR
- Comfopush, EDM 420016EDM
- Comfopush, CHR 420016CHR
- Amur 629014
- Samo CHR 629169CHR
- Samo EDM 629169EDM
- Samo WGO 629169WGO

- Samo COP 629169COP
- Samo GUM 629169GUM
- Samo PUR 629169S
- Wastecap 628152

TOPMOUNT

UNDERMOUNT

CRISTADUR® CLASSIC LINE

- MONR100A PUR
- MONR100A MAG
- MONR100A STO
- MONR100A BRO
- MONR100A SIL
- MONR100A POL
- MONR100A ROU

- MONR100U PUR
- MONR100U MAG
- MONR100U STO
- MONR100U BRO
- MONR100U SIL
- MONR100U POL
- MONR100U ROU

CRISTADUR® GREEN LINE

- MONR100A DAY
- MONR100A DSK
- MONR100A NGT
- MONR100A TWI

- MONR100U DAY
- MONR100U DSK
- MONR100U NGT
- MONR100U TWI





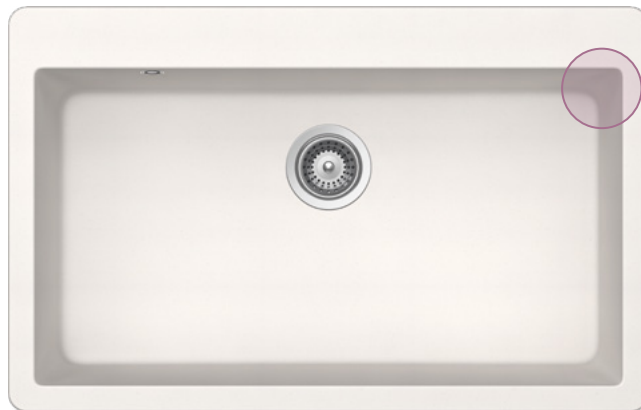
MONTANO

Tap model **Tanos** in stainless steel look on sink model **Montano N-100XL** in Polaris



N-100XL

N-100XLY



Tight corners - modern look

Spacious bowl
with room for large cooking utensils



More accessories on p. 216

Silicone drain mat



Trim



Soap dispenser



Comfopush
Corner dish

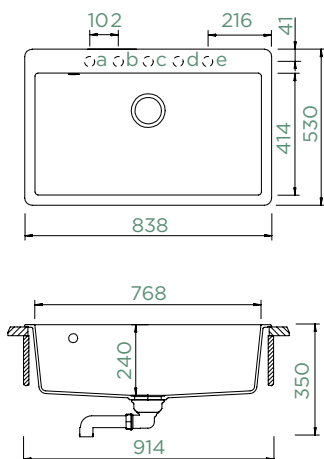




MONTANO N-100XL

TOPMOUNT/UNDERMOUNT

Cabinet size: **90 cm**
 Inner dimension of the bowl:
768 x 414 x 240 mm
 Installation: **fixed**
 Cut-out size topmount:
818 x 510 mm
 Cut-out size undermount:
782 x 428 mm



Accessories:

- Automatic drain kit 410061CHR
- Visible Parts in Solid Stainless Steel 400061EDM
- Visible Parts in White Gold 400061WGO
- Visible Parts in Copper 400061COP
- Visible Parts in Gunmetal 400061GUM
- Visible Parts in Puro 400061PUR
- Manual drain kit 410060CHR
- Silicone Drain Mat 629188
- Silicone Drain Mat Short 629189
- Corner bowl 629733
- Comfopush, EDM 420016EDM
- Comfopush, CHR 420016CHR
- Amur 629014

- Samo CHR 629169CHR
- Samo EDM 629169EDM
- Samo WGO 629169WGO
- Samo COP 629169COP
- Samo GUM 629169GUM
- Samo PUR 629169S
- Wastecap 628152

TOPMOUNT

UNDERMOUNT

CRISTADUR® CLASSIC LINE

- MOTN100XLA **MAG**
- MOTN100XLA **STO**
- MOTN100XLA **BRO**
- MOTN100XLA **SIL**
- MOTN100XLA **POL**

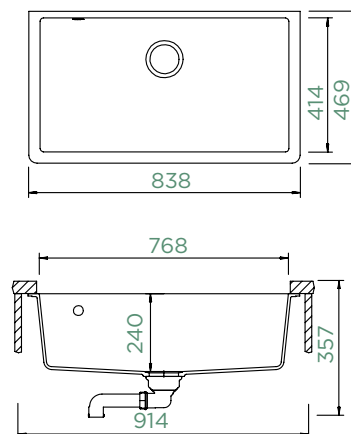
- MOTN100XLU **MAG**
- MOTN100XLU **STO**
- MOTN100XLU **BRO**
- MOTN100XLU **SIL**
- MOTN100XLU **POL**



MONTANO N-100XLY

UNDERMOUNT

Cabinet size: **90 cm**
 Inner dimension of the bowl:
768 x 414 x 240 mm
 Installation: **fixed**
 Cut-out size undermount:
782 x 428 mm



Accessories:

- Automatic drain kit 410061CHR
- Visible Parts in Solid Stainless Steel 400061EDM
- Visible Parts in White Gold 400061WGO
- Visible Parts in Copper 400061COP
- Visible Parts in Gunmetal 400061GUM
- Visible Parts in Puro 400061PUR
- Manual drain kit 410060CHR
- Silicone Drain Mat 629188
- Silicone Drain Mat Short 629189
- Corner bowl 629733
- Comfopush, EDM 420016EDM
- Comfopush, CHR 420016CHR
- Amur 629014

Wastecap 628152

UNDERMOUNT

CRISTADUR® CLASSIC LINE

- MOTN100XLYU **MAG**
- MOTN100XLYU **STO**
- MOTN100XLYU **BRO**
- MOTN100XLYU **SIL**
- MOTN100XLYU **POL**

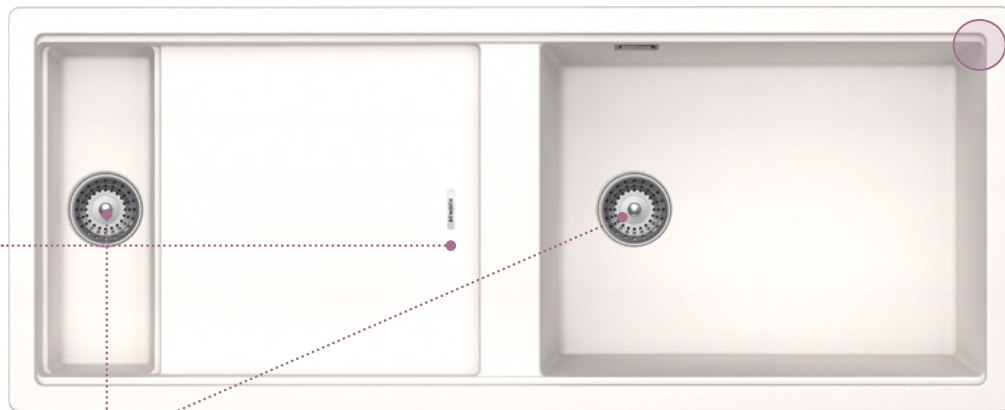


PREPSTATION

Tap model **Conos Pro** in Solid Stainless Steel on sink model **Prepstation** in Dusk



D-150



Integrated lip for hanging and laying multifunctional accessories



Pure CRISTADUR® Green Line model



Integrated draining board



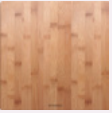
Patented Perfect Drain for less places where dirt can linger and more colour in the sink

Spacious bowl with room for large cooking utensils



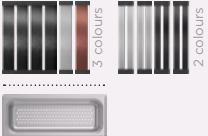
More accessories on p. 216

Chopping board



(629158)

Drain rack, Gastronorm



3 colours

2 colours

Trim



Soap dispenser



Comfopush Corner dish





PREPSTATION D-150

TOPMOUNT/UNDERMOUNT

Cabinet size: **60 + 60 cm**

Inner dimension of the bowl:

509 × 384 × 231 mm

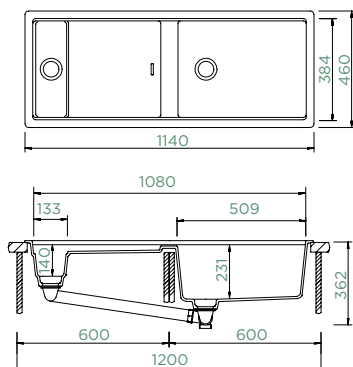
Installation: **fixed**

Cut-out size topmount:

1120 × 440 mm

Cut-out size undermount:

1080 × 400 mm



Accessories:

Automatic drain kit 410053CHR

Visible Parts in Solid Stainless Steel 400053EDM

Visible Parts in White Gold 400053WGO

Visible Parts in Gunmetal 400053GUM

Visible Parts in Puro 400053PUR

Manual drain kit 410052CHR

Chopping board, wood 629158

Carrier 629146

Gastronorm Container GN 2/8 629060

Gastronorm Container GN 2/8 629061

Gastronorm Container GN 2/3 629063

Corner bowl 629733

Silicone Drain Mat Short 629189

Design Drip Rack 629726S

Design Drip Rack 629726COP

Design Drip Rack 629726EDM

2x2 Design Drip Rack 629738S

2x2 Design Drip Rack 629738EDM

Comfopush, EDM 420016EDM

Comfopush, CHR 420016CHR

Indutherm 629100

LED-light 629024/R

LED-light 629024/L

Amur 629014

Samo CHR 629169CHR

Samo EDM 629169EDM

Samo WGO 629169WGO

Samo COP 629169COP

Samo GUM 629169GUM

Samo PUR 629169S

Silicone Drain Mat 629188

TOPMOUNT

UNDERMOUNT

CRISTADUR® GREEN LINE

○ PRPD150A DAY

● PRPD150A DSK

● PRPD150A NGT

● PRPD150A TWI

PRPD150U DAY

PRPD150U DSK

PRPD150U NGT

PRPD150U TWI

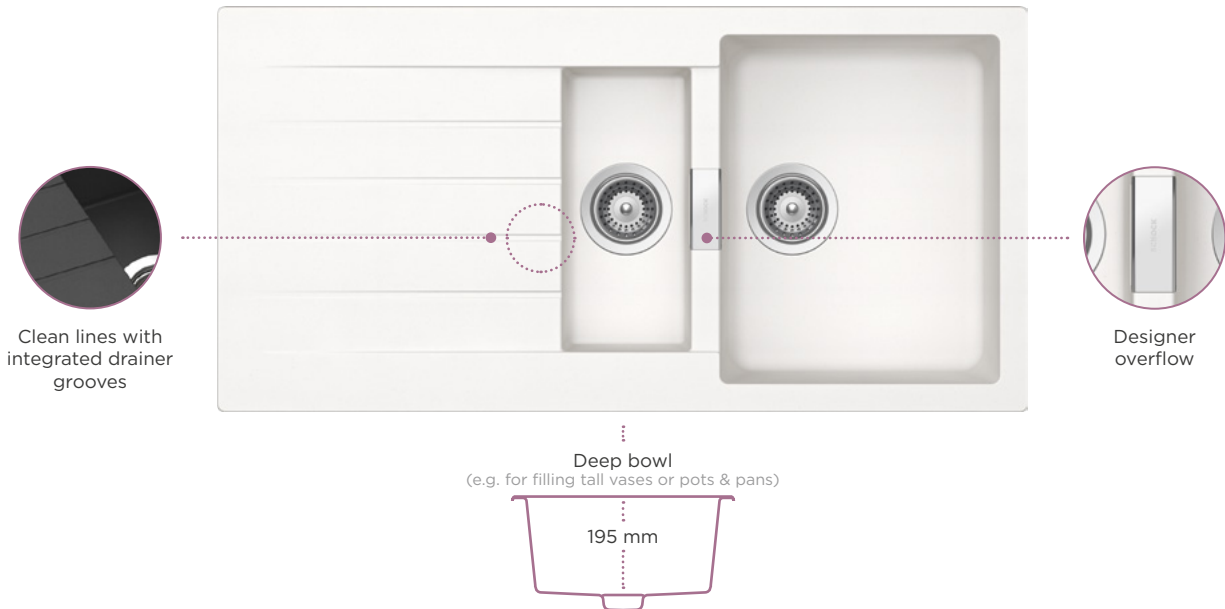




SIGNUS

Tap model **Epos** in Chrome on sink model **Signus D-100** in Magma

Wide choice of designs



More accessories on p. 216

Fibre-Rock chopping board



(629184)

Wooden chopping board



(629044)

Drain rack



3 colours

2 colours

Trim

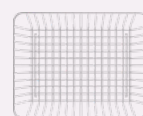


Soap dispenser



Amur and Samo only for D-200

Wire basket



(629171)

Comfopush Corner dish

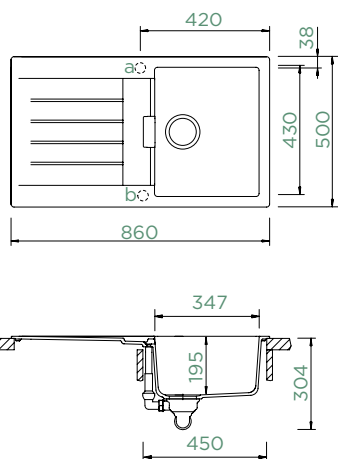




SIGNUS D-100

TOPMOUNT/UNDERMOUNT

Cabinet size: **45 cm**
 Inner dimension of the bowl:
347 × 430 × 195 mm
 Installation: **reversible**
 Cut-out size topmount:
840 × 480 mm
 Cut-out size undermount:
846 × 486 mm
 Worktop for built-in
 dishwasher: **23 mm**



Accessories:

- Automatic drain kit 410077CHR
- Visible Parts in Solid Stainless Steel 400077EDM
- Visible Parts in White Gold 400077WGO
- Visible Parts in Copper 400077COP
- Visible Parts in Gunmetal 400077GUM
- Visible Parts in Puro 400077PUR
- Manual drain kit 410076CHR
- Chopping board, bamboo 629044
- Chopping board Fibre-Rock 629184
- Design Drip Rack 629725S
- Design Drip Rack 629725EDM
- Design Drip Rack 629725COP
- 2x2 Design Drip Rack 629724S

- 2x2 Design Drip Rack 629724EDM
- Corner bowl 629733
- Wire basket 629171
- Comfopush, EDM 420016EDM
- Comfopush, CHR 420016CHR
- Wastecap 628152

TOPMOUNT

UNDERMOUNT

CRISTADUR® CLASSIC LINE

- SIGD100A PUR
- SIGD100A MAG
- SIGD100A STO
- SIGD100A BRO
- SIGD100A SIL
- SIGD100A POL

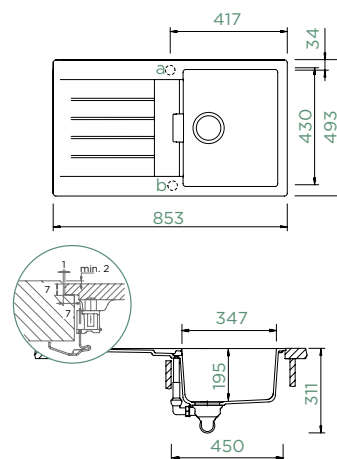
- SIGD100U PUR
- SIGD100U MAG
- SIGD100U STO
- SIGD100U BRO
- SIGD100U SIL
- SIGD100U POL



SIGNUS D-100

FLUSHMOUNT

Cabinet size: **45 cm**
 Inner dimension of the bowl:
347 × 430 × 195 mm
 Installation: **reversible**
 Cut-out size flushmount:
855 × 495 mm
 Worktop for built-in
 dishwasher: **31 mm**



Accessories:

- Automatic drain kit 410077CHR
- Visible Parts in Solid Stainless Steel 400077EDM
- Visible Parts in White Gold 400077WGO
- Visible Parts in Copper 400077COP
- Visible Parts in Gunmetal 400077GUM
- Visible Parts in Puro 400077PUR
- Manual drain kit 410076CHR
- Chopping board, bamboo 629044
- Chopping board Fibre-Rock 629184
- Design Drip Rack 629725S
- Design Drip Rack 629725EDM
- Design Drip Rack 629725COP
- 2x2 Design Drip Rack 629724S

- 2x2 Design Drip Rack 629724EDM
- Corner bowl 629733
- Wire basket 629171
- Comfopush, EDM 420016EDM
- Comfopush, CHR 420016CHR
- Wastecap 628152

FLUSHMOUNT

CRISTADUR® CLASSIC LINE

- SIGD100FB PUR
- SIGD100FB MAG
- SIGD100FB STO
- SIGD100FB BRO
- SIGD100FB SIL
- SIGD100FB POL



SIGNUS D-100L

TOPMOUNT/UNDERMOUNT

Cabinet size: **60 cm**

Inner dimension of the bowl:

478 × 430 × 195 mm

Installation: **reversible**

Cut-out size topmount:

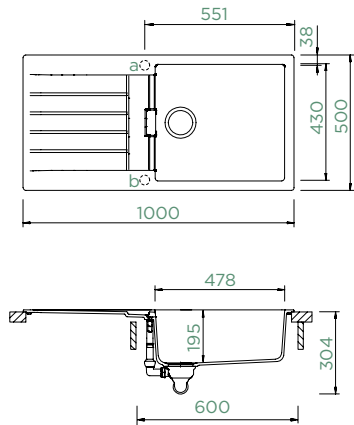
980 × 480 mm

Cut-out size undermount:

986 × 486 mm

Worktop for built-in

dishwasher: **22 mm**



Accessories:

Automatic drain kit 410077CHR
 Visible Parts in Solid Stainless Steel 400077EDM
 Visible Parts in White Gold 400077WGO
 Visible Parts in Copper 400077COP
 Visible Parts in Gunmetal 400077GUM
 Visible Parts in Puro 400077PUR
 Manual drain kit 410076CHR
 Chopping board, bamboo 629044
 Chopping board Fibre-Rock 629184
 Design Drip Rack 629725S
 Design Drip Rack 629725EDM
 Design Drip Rack 629725COP
 2x2 Design Drip Rack 629724S

2x2 Design Drip Rack 629724EDM
 Corner bowl 629733
 Wire basket 629171
 Comfopush, EDM 420016EDM
 Comfopush, CHR 420016CHR
 Wastecap 628152

TOPMOUNT

UNDERMOUNT

CRISTADUR® CLASSIC LINE

- SIGD100LA PUR
- SIGD100LA MAG
- SIGD100LA STO
- SIGD100LA BRO
- SIGD100LA SIL
- SIGD100LA POL

- SIGD100LU PUR
- SIGD100LU MAG
- SIGD100LU STO
- SIGD100LU BRO
- SIGD100LU SIL
- SIGD100LU POL



SIGNUS D-100L

FLUSHMOUNT

Cabinet size: **60 cm**

Inner dimension of the bowl:

478 × 430 × 195 mm

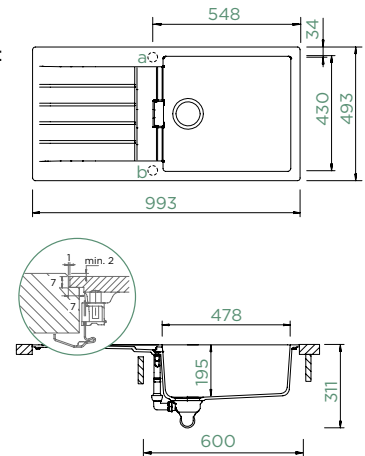
Installation: **reversible**

Cut-out size flushmount:

995 × 495 mm

Worktop for built-in

dishwasher: **30 mm**



Accessories:

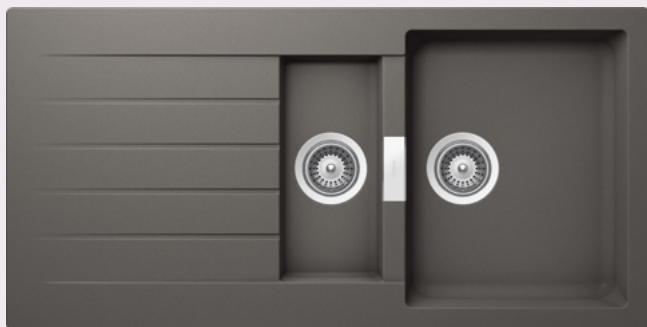
Automatic drain kit 410077CHR
 Visible Parts in Solid Stainless Steel 400077EDM
 Visible Parts in White Gold 400077WGO
 Visible Parts in Copper 400077COP
 Visible Parts in Gunmetal 400077GUM
 Visible Parts in Puro 400077PUR
 Manual drain kit 410076CHR
 Chopping board, bamboo 629044
 Chopping board Fibre-Rock 629184
 Design Drip Rack 629725S
 Design Drip Rack 629725EDM
 Design Drip Rack 629725COP
 2x2 Design Drip Rack 629724S

2x2 Design Drip Rack 629724EDM
 Corner bowl 629733
 Wire basket 629171
 Comfopush, EDM 420016EDM
 Comfopush, CHR 420016CHR
 Wastecap 628152

FLUSHMOUNT

CRISTADUR® CLASSIC LINE

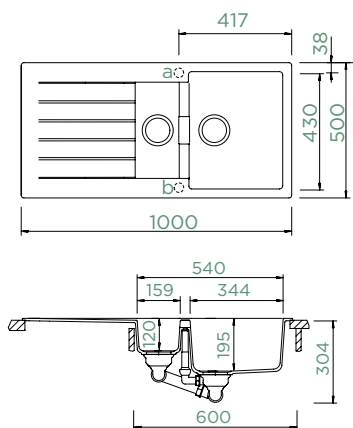
- SIGD100LFB PUR
- SIGD100LFB MAG
- SIGD100LFB STO
- SIGD100LFB BRO
- SIGD100LFB SIL
- SIGD100LFB POL



SIGNUS D-150

TOPMOUNT/UNDERMOUNT

Cabinet size: **60 cm**
 Inner dimension of the bowl:
344 × 430 × 195 mm
 Installation: **reversible**
 Cut-out size topmount:
980 × 480 mm
 Cut-out size undermount:
986 × 486 mm
 Worktop for built-in
 dishwasher: **15 mm**



Accessories:

- Automatic drain kit 410067CHR
- Visible Parts in Solid Stainless Steel 400067EDM
- Visible Parts in White Gold 400067WGO
- Visible Parts in Copper 400067COP
- Visible Parts in Gunmetal 400067GUM
- Visible Parts in Puro 400067PUR
- Manual drain kit 410066CHR
- Chopping board, bamboo 629044
- Chopping board Fibre-Rock 629184
- Strainer bowl 629043
- Corner bowl 629733
- Design Drip Rack 629725S
- Design Drip Rack 629725EDM

- Design Drip Rack 629725COP
- 2x2 Design Drip Rack 629724S
- 2x2 Design Drip Rack 629724EDM
- Wire basket 629171
- Comfopush, EDM 420016EDM
- Comfopush, CHR 420016CHR
- Wastecap 628152

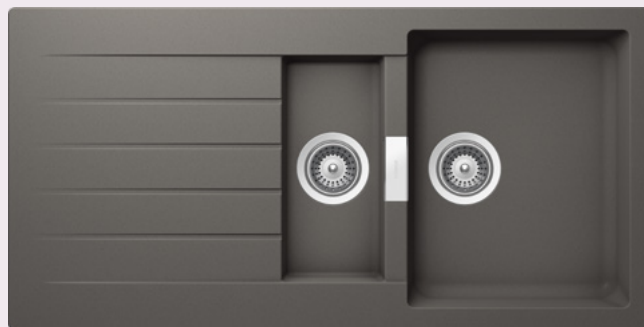
TOPMOUNT

UNDERMOUNT

CRISTADUR® CLASSIC LINE

- SIGD150A PUR
- SIGD150A MAG
- SIGD150A STO
- SIGD150A BRO
- SIGD150A SIL
- SIGD150A POL

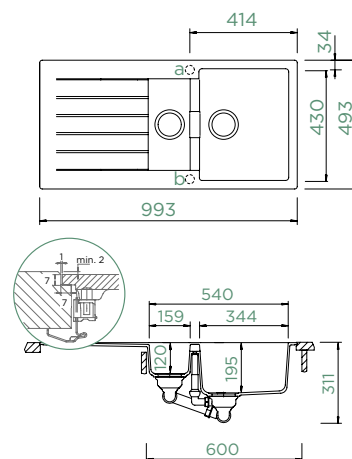
- SIGD150U PUR
- SIGD150U MAG
- SIGD150U STO
- SIGD150U BRO
- SIGD150U SIL
- SIGD150U POL



SIGNUS D-150

FLUSHMOUNT

Cabinet size: **60 cm**
 Inner dimension of the bowl:
344 × 430 × 195 mm
 Installation: **reversible**
 Cut-out size flushmount:
995 × 495 mm
 Worktop for built-in
 dishwasher: **23 mm**



Accessories:

- Automatic drain kit 410067CHR
- Visible Parts in Solid Stainless Steel 400067EDM
- Visible Parts in White Gold 400067WGO
- Visible Parts in Copper 400067COP
- Visible Parts in Gunmetal 400067GUM
- Visible Parts in Puro 400067PUR
- Manual drain kit 410066CHR
- Chopping board, bamboo 629044
- Chopping board Fibre-Rock 629184
- Strainer bowl 629043
- Corner bowl 629733
- Design Drip Rack 629725S
- Design Drip Rack 629725EDM

- Design Drip Rack 629725COP
- 2x2 Design Drip Rack 629724S
- 2x2 Design Drip Rack 629724EDM
- Wire basket 629171
- Comfopush, EDM 420016EDM
- Comfopush, CHR 420016CHR
- Wastecap 628152

FLUSHMOUNT

CRISTADUR® CLASSIC LINE

- SIGD150FB PUR
- SIGD150FB MAG
- SIGD150FB STO
- SIGD150FB BRO
- SIGD150FB SIL
- SIGD150FB POL



SIGNUS D-200

TOPMOUNT/UNDERMOUNT

Cabinet size: **80 cm**

Inner dimension of the bowl:

378 × 430 × 195 mm

Installation: **reversible**

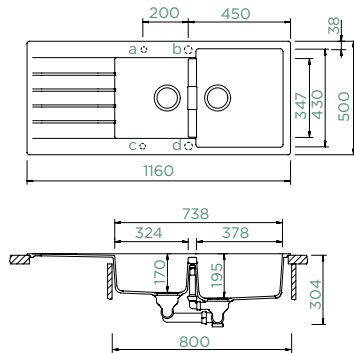
Cut-out size topmount:

1140 × 480 mm

Cut-out size undermount:

1146 × 486 mm

Worktop for built-in
dishwasher: **15 mm**



Accessories:

Automatic drain kit 410067CHR
Visible Parts in Solid Stainless Steel
400067EDM

Visible Parts in White Gold 400067WGO

Visible Parts in Copper 400067COP

Visible Parts in Gunmetal 400067GUM

Visible Parts in Puro 400067PUR

Manual drain kit 410066CHR

Chopping board, bamboo 629044

Chopping board Fibre-Rock 629184

Design Drip Rack 629725S

Design Drip Rack 629725EDM

Design Drip Rack 629725COP

2x2 Design Drip Rack 629724S

2x2 Design Drip Rack 629724EDM

Corner bowl 629733

Wire basket 629171

Amur 629014

Samo CHR 629169CHR

Samo EDM 629169EDM

Samo WGO 629169WGO

Samo COP 629169COP

Samo GUM 629169GUM

Samo PUR 629169S

Comfopush, EDM 420016EDM

Comfopush, CHR 420016CHR

Wastecap 628152

TOPMOUNT

CRISTADUR® CLASSIC LINE

● SIGD200A PUR

● SIGD200A MAG

● SIGD200A STO

● SIGD200A BRO

● SIGD200A SIL

○ SIGD200A POL

UNDERMOUNT

● SIGD200U PUR

● SIGD200U MAG

● SIGD200U STO

● SIGD200U BRO

● SIGD200U SIL

○ SIGD200U POL



SIGNUS D-200

FLUSHMOUNT

Cabinet size: **80 cm**

Inner dimension of the bowl:

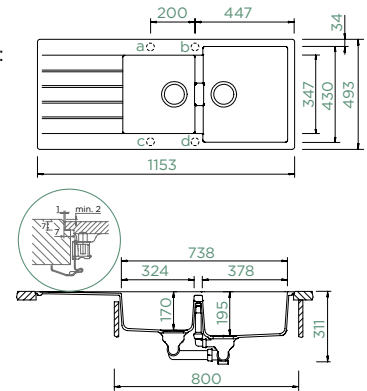
378 × 430 × 195 mm

Installation: **reversible**

Cut-out size flushmount:

1155 × 495 mm

Worktop for built-in
dishwasher: **23 mm**



Accessories:

Automatic drain kit 410067CHR
Visible Parts in Solid Stainless Steel
400067EDM

Visible Parts in White Gold 400067WGO

Visible Parts in Copper 400067COP

Visible Parts in Gunmetal 400067GUM

Visible Parts in Puro 400067PUR

Manual drain kit 410066CHR

Chopping board, bamboo 629044

Chopping board Fibre-Rock 629184

Design Drip Rack 629725S

Design Drip Rack 629725EDM

Design Drip Rack 629725COP

2x2 Design Drip Rack 629724S

2x2 Design Drip Rack 629724EDM

Corner bowl 629733

Wire basket 629171

Amur 629014

Samo CHR 629169CHR

Samo EDM 629169EDM

Samo WGO 629169WGO

Samo COP 629169COP

Samo GUM 629169GUM

Samo PUR 629169S

Comfopush, EDM 420016EDM

Comfopush, CHR 420016CHR

Wastecap 628152

FLUSHMOUNT

CRISTADUR® CLASSIC LINE

● SIGD200FB PUR

● SIGD200FB MAG

● SIGD200FB STO

● SIGD200FB BRO

● SIGD200FB SIL

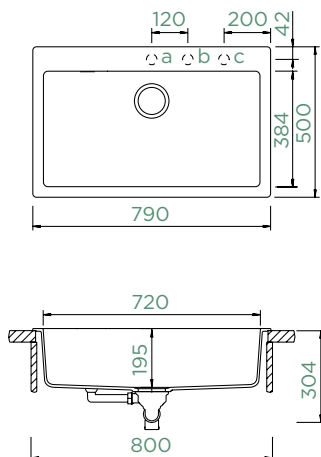
○ SIGD200FB POL



SIGNUS N-100XL

TOPMOUNT/UNDERMOUNT

Cabinet size: **80 cm**
 Inner dimension of the bowl:
720 x 384 x 195 mm
 Installation: **fixed**
 Cut-out size topmount:
770 x 480 mm
 Cut-out size undermount:
775 x 485 mm



Accessories:

- Automatic drain kit 410055CHR
- Visible Parts in Solid Stainless Steel 400055EDM
- Visible Parts in White Gold 400055WGO
- Visible Parts in Copper 400055COP
- Visible Parts in Gunmetal 400055GUM
- Visible Parts in Puro 400055PUR
- Manual drain kit 410054CHR
- Chopping board, bamboo 629044
- Chopping board Fibre-Rock 629184
- Silicone Drain Mat 629188
- Silicone Drain Mat Short 629189
- Design Drip Rack 629725S
- Design Drip Rack 629725EDM
- Design Drip Rack 629725COP
- 2x2 Design Drip Rack 629724S

- 2x2 Design Drip Rack 629724EDM
- Corner bowl 629733
- Comfopush, EDM 420016EDM
- Comfopush, CHR 420016CHR
- Amur 629014
- Samo CHR 629169CHR
- Samo EDM 629169EDM
- Samo WGO 629169WGO
- Samo COP 629169COP
- Samo GUM 629169GUM
- Samo PUR 629169S
- Wastecap 628152

TOPMOUNT

UNDERMOUNT

CRISTADUR® CLASSIC LINE

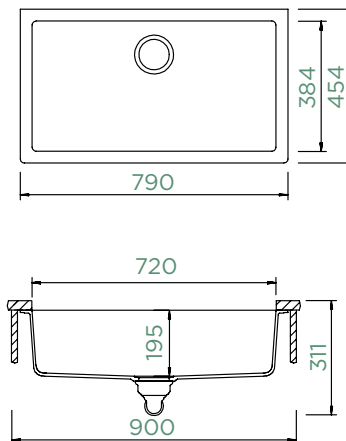
- SIGN100XLA PUR
- SIGN100XLA MAG
- SIGN100XLA STO
- SIGN100XLA BRO
- SIGN100XLA SIL
- SIGN100XLA POL

- SIGN100XLU PUR
- SIGN100XLU MAG
- SIGN100XLU STO
- SIGN100XLU BRO
- SIGN100XLU SIL
- SIGN100XLU POL



SIGNUS N-100XLY

Cabinet size: **90 cm**
 Inner dimension of the bowl:
720 x 384 x 195 mm
 Installation: **fixed**
 Cut-out size undermount:
720 x 384 mm



Accessories:

- Automatic drain kit 410055CHR
- Visible Parts in Solid Stainless Steel 400055EDM
- Visible Parts in White Gold 400055WGO
- Visible Parts in Copper 400055COP
- Visible Parts in Gunmetal 400055GUM
- Visible Parts in Puro 400055PUR
- Manual drain kit 410054CHR
- Silicone Drain Mat 629188

- Silicone Drain Mat Short 629189
- Corner bowl 629733
- Comfopush, CHR 420016CHR
- Comfopush, EDM 420016EDM
- Amur 629014
- Wastecap 628152

UNDERMOUNT

CRISTADUR® CLASSIC LINE

- SIGN100XLYU PUR
- SIGN100XLYU MAG
- SIGN100XLYU STO
- SIGN100XLYU BRO
- SIGN100XLYU SIL
- SIGN100XLYU POL



SIGNUS C-150

TOPMOUNT/UNDERMOUNT

Cabinet size: **90 x 90 cm**

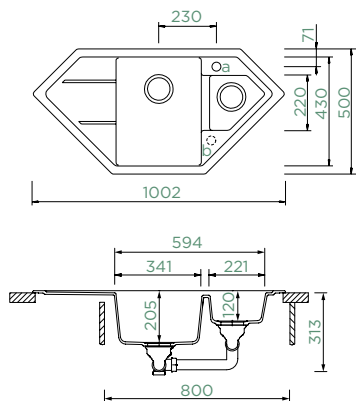
Inner dimension of the bowl:

341 x 430 x 205 mm

Installation: **bowl right**

Cut-out size topmount:
according to template

Cut-out size undermount:
according to template



Accessories:

Automatic drain kit 410059CHR
Visible Parts in Solid Stainless Steel 400059EDM
Visible Parts in White Gold 400059WGO
Visible Parts in Copper 400059COP
Visible Parts in Gunmetal 400059GUM
Visible Parts in Puro 400059PUR
Manual drain kit 410058CHR
Chopping board, bamboo 629044
Chopping board Fibre-Rock 629184
Design Drip Rack 629725S
Design Drip Rack 629725EDM
Design Drip Rack 629725COP
2x2 Design Drip Rack 629724S

2x2 Design Drip Rack 629724EDM
Wire basket 629171
Comfopush, EDM 420016EDM
Comfopush, CHR 420016CHR
Wastecap 628152

TOPMOUNT

UNDERMOUNT

CRISTADUR® CLASSIC LINE

- SIGC150A PUR
- SIGC150A MAG
- SIGC150A STO
- SIGC150A BRO
- SIGC150A SIL
- SIGC150A POL

- SIGC150U PUR
- SIGC150U MAG
- SIGC150U STO
- SIGC150U BRO
- SIGC150U SIL
- SIGC150U POL



SIGNUS C-150

FLUSHMOUNT

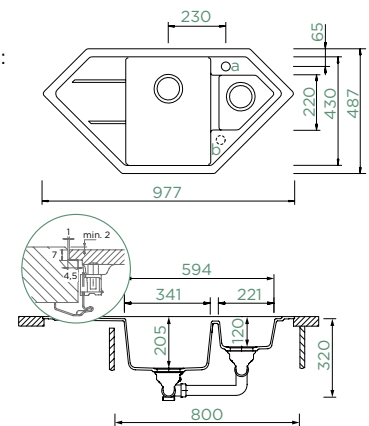
Cabinet size: **90 x 90 cm**

Inner dimension of the bowl:

341 x 430 x 205 mm

Installation: **bowl right**

Cut-out size flushmount:
according to template



Accessories:

Automatic drain kit 410059CHR
Visible Parts in Solid Stainless Steel 400059EDM
Visible Parts in White Gold 400059WGO
Visible Parts in Copper 400059COP
Visible Parts in Gunmetal 400059GUM
Visible Parts in Puro 400059PUR
Manual drain kit 410058CHR
Chopping board, bamboo 629044
Chopping board Fibre-Rock 629184
Design Drip Rack 629725S
Design Drip Rack 629725EDM
Design Drip Rack 629725COP
2x2 Design Drip Rack 629724S

2x2 Design Drip Rack 629724EDM
Wire basket 629171
Comfopush, EDM 420016EDM
Comfopush, CHR 420016CHR
Wastecap 628152

FLUSHMOUNT

CRISTADUR® CLASSIC LINE

- SIGC150FB PUR
- SIGC150FB MAG
- SIGC150FB STO
- SIGC150FB BRO
- SIGC150FB SIL
- SIGC150FB POL





SUPRA

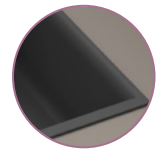
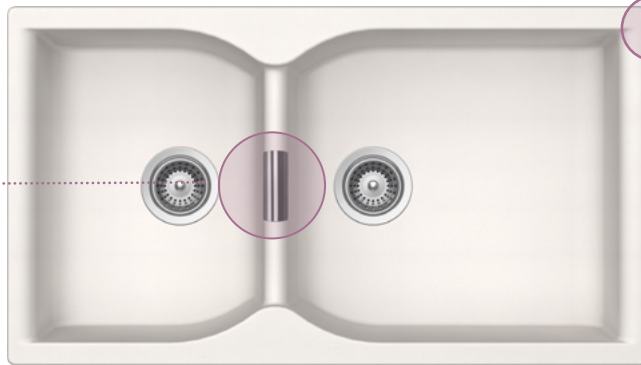
Tap model **Epos** in Chrome on sink model **Supra N-175** in Stone



N-175



Designer overflow



Smooth contours that are even easier to clean

Deep bowl
(e.g. for filling tall vases or pots & pans)



More accessories on p. 216

Silicone drain mat



Wastecap





SUPRA N-175

TOPMOUNT/UNDERMOUNT

Cabinet size: **90 cm**

Inner dimension of the bowl:

475 × 448 × 230 mm

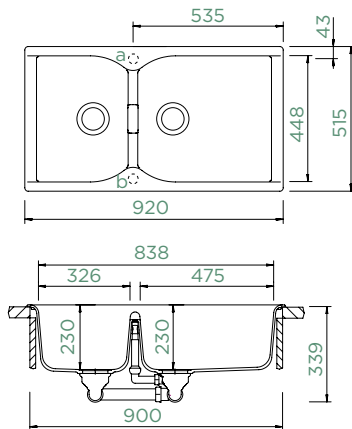
Installation: **reversible**

Cut-out size topmount:

900 × 495 mm

Cut-out size undermount:

906 × 501 mm



Accessories:

Automatic drain kit 629356PD

Manual drain kit 629355

Silicone Drain Mat 629188

Silicone Drain Mat Short 629189

Wastecap 628152

TOPMOUNT

UNDERMOUNT

CRISTADUR® CLASSIC LINE

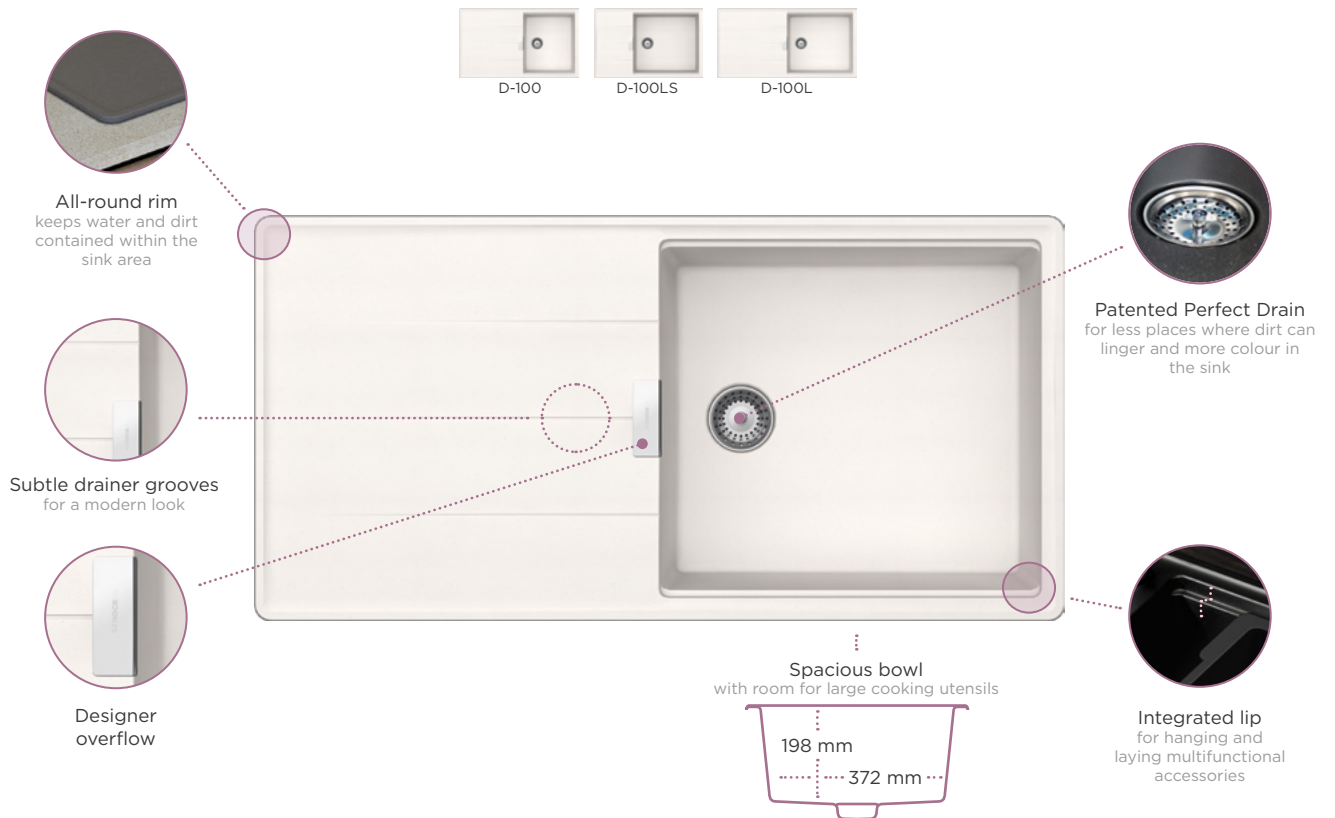
- SUPN175A **PUR**
- SUPN175A **MAG**
- SUPN175A **STO**
- SUPN175A **BRO**
- SUPN175A **SIL**
- SUPN175A **POL**

- SUPN175U **PUR**
- SUPN175U **MAG**
- SUPN175U **STO**
- SUPN175U **BRO**
- SUPN175U **SIL**
- SUPN175U **POL**



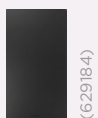
TIA

Tap model **Tanos** in Black on sink model **Tia D-100L** in Silverstone



More accessories on p. 216

Fibre-Rock chopping board



(629184)

Wooden chopping board



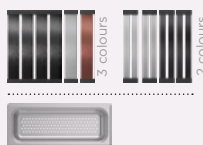
(629044)

Functional bowl set



7-piece
(629728)

Drain rack, Gastronorm



3 colours
2 colours

Trim



Comfopush





TIA D-100

TOPMOUNT/UNDERMOUNT

Cabinet size: **50 cm**

Inner dimension of the bowl:

372 × 427 × 198 mm

Installation: **reversible**

Cut-out size topmount:

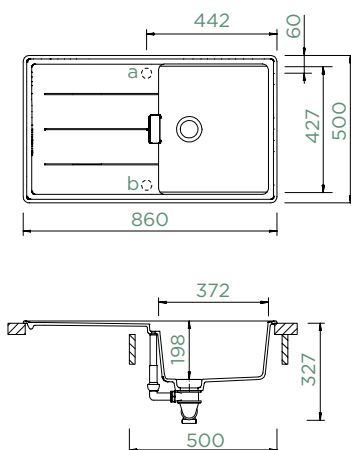
846 × 486 mm

Cut-out size undermount:

836 × 476 mm

Worktop for built-in

dishwasher: **20 mm**



Accessories:

Automatic drain kit 410079CHR

Visible Parts in Solid Stainless Steel 400079EDM

Visible Parts in White Gold 400079WGO

Visible Parts in Copper 400079COP

Visible Parts in Gunmetal 400079GUM

Visible Parts in Puro 400079PUR

Manual drain kit 410078CHR

Multifunctional rack 629727

Functional bowl set Tia (7 parts) 629728

Gastronorm Container GN 2/8 629060

Gastronorm Container GN 2/8 629061

Chopping board, bamboo 629044

Chopping board Fibre-Rock 629184

Design Drip Rack 629725S

Design Drip Rack 629725EDM

Design Drip Rack 629725COP

Comfopush, EDM 420016EDM

Comfopush, CHR 420016CHR

Indutherm 629100



TIA D-100LS

TOPMOUNT/UNDERMOUNT

Cabinet size: **60 cm**

Inner dimension of the bowl:

472 × 427 × 198 mm

Installation: **reversible**

Cut-out size topmount:

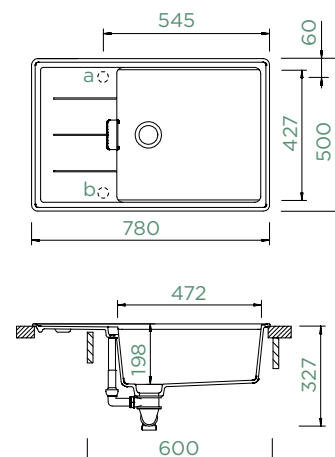
766 × 486 mm

Cut-out size undermount:

756 × 476 mm

Worktop for built-in

dishwasher: **20 mm**



Accessories:

Automatic drain kit 410079CHR

Visible Parts in Solid Stainless Steel 400079EDM

Visible Parts in White Gold 400079WGO

Visible Parts in Copper 400079COP

Visible Parts in Gunmetal 400079GUM

Visible Parts in Puro 400079PUR

Manual drain kit 410078CHR

Multifunctional rack 629727

Functional bowl set Tia (7 parts) 629728

Gastronorm Container GN 2/8 629060

Gastronorm Container GN 2/8 629061

Chopping board, bamboo 629044

Chopping board Fibre-Rock 629184

Design Drip Rack 629725S

Design Drip Rack 629725EDM

Design Drip Rack 629725COP

Comfopush, EDM 420016EDM

Comfopush, CHR 420016CHR

TOPMOUNT

UNDERMOUNT

CRISTADUR® CLASSIC LINE

- TIAD100A PUR
- TIAD100A MAG
- TIAD100A STO
- TIAD100A BRO
- TIAD100A SIL
- TIAD100A POL

- TIAD100U PUR
- TIAD100U MAG
- TIAD100U STO
- TIAD100U BRO
- TIAD100U SIL
- TIAD100U POL

TOPMOUNT

UNDERMOUNT

CRISTADUR® CLASSIC LINE

- TIAD100LSA PUR
- TIAD100LSA MAG
- TIAD100LSA STO
- TIAD100LSA BRO
- TIAD100LSA SIL
- TIAD100LSA POL

- TIAD100LSU PUR
- TIAD100LSU MAG
- TIAD100LSU STO
- TIAD100LSU BRO
- TIAD100LSU SIL
- TIAD100LSU POL



TIA D-100L

TOPMOUNT/UNDERMOUNT

Cabinet size: **60 cm**

Inner dimension of the bowl:

472 × 427 × 198 mm

Installation: **reversible**

Cut-out size topmount:

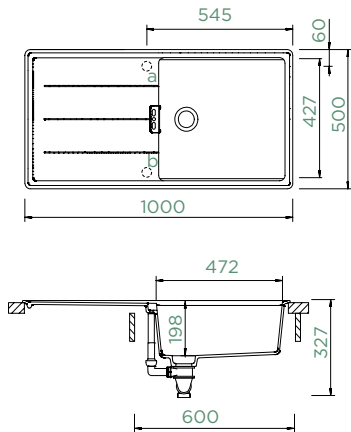
986 × 486 mm

Cut-out size undermount:

976 × 476 mm

Worktop for built-in

dishwasher: **20 mm**



Accessories:

Automatic drain kit 410079CHR

Visible Parts in Solid Stainless Steel
400079EDM

Visible Parts in White Gold 400079WGO

Visible Parts in Copper 400079COP

Visible Parts in Gunmetal 400079GUM

Visible Parts in Puro 400079PUR

Manual drain kit 410078CHR

Multifunctional rack 629727

Functional bowl set Tia (7 parts) 629728

Gastronorm Container GN 2/8 629060

Gastronorm Container GN 2/8 629061

Chopping board, bamboo 629044

Chopping board Fibre-Rock 629184

Design Drip Rack 629725S

Design Drip Rack 629725EDM

Design Drip Rack 629725COP

Comfopush, EDM 420016EDM

Comfopush, CHR 420016CHR

Indutherm 629100

TOPMOUNT

UNDERMOUNT

CRISTADUR® CLASSIC LINE

- TIAD100LA PUR
- TIAD100LA MAG
- TIAD100LA STO
- TIAD100LA BRO
- TIAD100LA SIL
- TIAD100LA POL

- TIAD100LU PUR
- TIAD100LU MAG
- TIAD100LU STO
- TIAD100LU BRO
- TIAD100LU SIL
- TIAD100LU POL







TOLEDO

Tap model **Kavus** in Gunmetal on sink model **Toledo D-100** in Stone

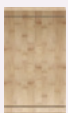
Wide choice of designs



- All-round rim**
keeps water and dirt contained within the sink area
- Smooth corners**
- Most space-saving model with draining board**
- Timeless and purist model**
- Narrow, integrated drainer grooves**

More accessories on p. 216

Wooden chopping board



(629044)

Fibre-Rock chopping board



(629184)

Drain rack, Gastronorm



3 colours



2 colours

Trim



Comfopush Corner dish

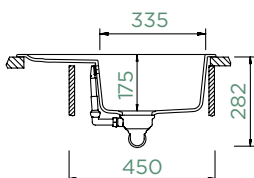
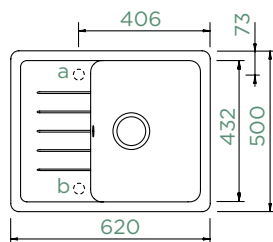




TOLEDO **D-100XS**

TOPMOUNT/UNDERMOUNT

Cabinet size: **45 cm**
 Inner dimension of the bowl:
335 × 432 × 175 mm
 Installation: **reversible**
 Cut-out size topmount:
600 × 480 mm
 Cut-out size undermount:
606 × 486 mm



Accessories:

- Automatic drain kit 410061CHR
- Visible Parts in Solid Stainless Steel 400061EDM
- Visible Parts in White Gold 400061WGO
- Visible Parts in Copper 400061COP
- Visible Parts in Gunmetal 400061GUM
- Visible Parts in Puro 400061PUR
- Manual drain kit 410060CHR
- Chopping board, bamboo 629044
- Chopping board Fibre-Rock 629184
- Design Drip Rack 629725S
- Design Drip Rack 629725EDM
- Design Drip Rack 629725COP
- 2x2 Design Drip Rack 629724S

- 2x2 Design Drip Rack 629724EDM
- Corner bowl 629733
- Comfopush, EDM 420016EDM
- Comfopush, CHR 420016CHR
- Wastecap 628152

TOPMOUNT

UNDERMOUNT

CRISTADUR® CLASSIC LINE

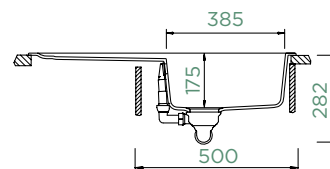
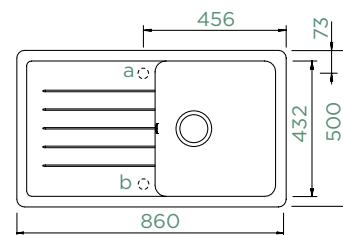
- | | |
|------------------|----------------|
| ● TOLD100XSA PUR | TOLD100XSU PUR |
| ● TOLD100XSA MAG | TOLD100XSU MAG |
| ● TOLD100XSA STO | TOLD100XSU STO |
| ● TOLD100XSA BRO | TOLD100XSU BRO |
| ● TOLD100XSA SIL | TOLD100XSU SIL |
| ○ TOLD100XSA POL | TOLD100XSU POL |



TOLEDO **D-100**

TOPMOUNT/UNDERMOUNT

Cabinet size: **50 cm**
 Inner dimension of the bowl:
385 × 432 × 175 mm
 Installation: **reversible**
 Cut-out size topmount:
840 × 480 mm
 Cut-out size undermount:
846 × 486 mm



Accessories:

- Automatic drain kit 410061CHR
- Visible Parts in Solid Stainless Steel 400061EDM
- Visible Parts in White Gold 400061WGO
- Visible Parts in Copper 400061COP
- Visible Parts in Gunmetal 400061GUM
- Visible Parts in Puro 400061PUR
- Manual drain kit 410060CHR
- Chopping board, bamboo 629044
- Chopping board Fibre-Rock 629184
- Design Drip Rack 629725S
- Design Drip Rack 629725EDM
- Design Drip Rack 629725COP
- 2x2 Design Drip Rack 629724S

- 2x2 Design Drip Rack 629724EDM
- Corner bowl 629733
- Comfopush, EDM 420016EDM
- Comfopush, CHR 420016CHR
- Wastecap 628152

TOPMOUNT

UNDERMOUNT

CRISTADUR® CLASSIC LINE

- | | |
|----------------|--------------|
| ● TOLD100A PUR | TOLD100U PUR |
| ● TOLD100A MAG | TOLD100U MAG |
| ● TOLD100A STO | TOLD100U STO |
| ● TOLD100A BRO | TOLD100U BRO |
| ● TOLD100A SIL | TOLD100U SIL |
| ○ TOLD100A POL | TOLD100U POL |



TOLEDO D-100L

TOPMOUNT/UNDERMOUNT

Cabinet size: **60 cm**

Inner dimension of the bowl:

485 × 432 × 175 mm

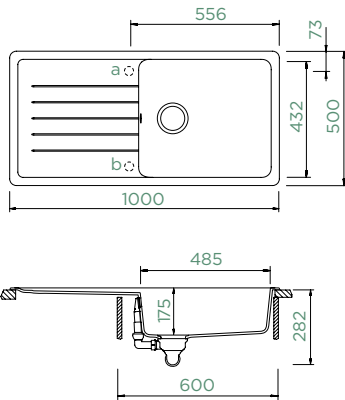
Installation: **reversible**

Cut-out size topmount:

980 × 480 mm

Cut-out size undermount:

986 × 486 mm



Accessories:

Automatic drain kit 410061CHR
Visible Parts in Solid Stainless Steel 400061EDM
Visible Parts in White Gold 400061WGO
Visible Parts in Copper 400061COP
Visible Parts in Gunmetal 400061GUM
Visible Parts in Puro 400061PUR
Manual drain kit 410060CHR
Chopping board, bamboo 629044
Chopping board Fibre-Rock 629184
Design Drip Rack 629725S
Design Drip Rack 629725EDM
Design Drip Rack 629725COP
2x2 Design Drip Rack 629724S

2x2 Design Drip Rack 629724EDM
Corner bowl 629733
Comfopush, EDM 420016EDM
Comfopush, CHR 420016CHR
Wastecap 628152

TOPMOUNT

UNDERMOUNT

CRISTADUR® CLASSIC LINE

- TOLD100LA PUR
- TOLD100LA MAG
- TOLD100LA STO
- TOLD100LA BRO
- TOLD100LA SIL
- TOLD100LA POL

- TOLD100LU PUR
- TOLD100LU MAG
- TOLD100LU STO
- TOLD100LU BRO
- TOLD100LU SIL
- TOLD100LU POL



TOLEDO D-150

TOPMOUNT/UNDERMOUNT

Cabinet size: **60 cm**

Inner dimension of the bowl:

350 × 432 × 175 mm

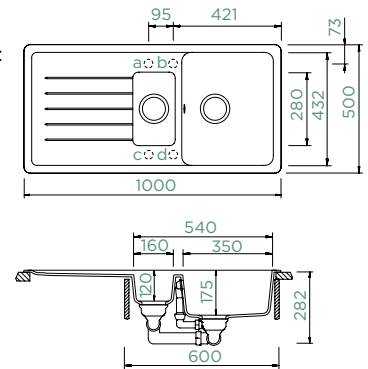
Installation: **reversible**

Cut-out size topmount:

980 × 480 mm

Cut-out size undermount:

986 × 486 mm



Accessories:

Automatic drain kit 410063CHR
Visible Parts in Solid Stainless Steel 400063EDM
Visible Parts in White Gold 400063WGO
Visible Parts in Copper 400063COP
Visible Parts in Gunmetal 400063GUM
Visible Parts in Puro 400063PUR
Manual drain kit 410062CHR
Chopping board, bamboo 629044
Chopping board Fibre-Rock 629184
Design Drip Rack 629725S
Design Drip Rack 629725EDM
Design Drip Rack 629725COP
2x2 Design Drip Rack 629724S
2x2 Design Drip Rack 629724EDM

Corner bowl 629733
Comfopush, EDM 420016EDM
Comfopush, CHR 420016CHR
Amur 629014
Samo CHR 629169CHR
Samo EDM 629169EDM
Samo WGO 629169WGO
Samo COP 629169COP
Samo GUM 629169GUM
Samo PUR 629169S
Wastecap 628152

TOPMOUNT

UNDERMOUNT

CRISTADUR® CLASSIC LINE

- TOLD150A PUR
- TOLD150A MAG
- TOLD150A STO
- TOLD150A BRO
- TOLD150A SIL
- TOLD150A POL

- TOLD150U PUR
- TOLD150U MAG
- TOLD150U STO
- TOLD150U BRO
- TOLD150U SIL
- TOLD150U POL



TOLEDO D-200

TOPMOUNT/UNDERMOUNT

Cabinet size: **80 cm**

Inner dimension of the bowl:

337 × 432 × 175 mm

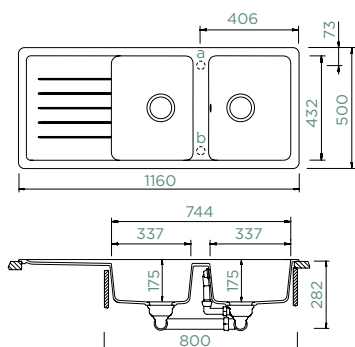
Installation: **reversible**

Cut-out size topmount:

1140 × 480 mm

Cut-out size undermount:

1146 × 486 mm



Accessories:

Automatic drain kit 410063CHR

Visible Parts in Solid Stainless Steel 400063EDM

Visible Parts in White Gold 400063WGO

Visible Parts in Copper 400063COP

Visible Parts in Gunmetal 400063GUM

Visible Parts in Puro 400063PUR

Manual drain kit 410062CHR

Chopping board, bamboo 629044

Chopping board Fibre-Rock 629184

Design Drip Rack 629725S

Design Drip Rack 629725EDM

Design Drip Rack 629725COP

2x2 Design Drip Rack 629724S

2x2 Design Drip Rack 629724EDM

Corner bowl 629733

Comfopush, EDM 420016EDM

Comfopush, CHR 420016CHR

Wastecap 628152

TOPMOUNT

UNDERMOUNT

CRISTADUR® CLASSIC LINE

- TOLD200A PUR
- TOLD200A MAG
- TOLD200A STO
- TOLD200A BRO
- TOLD200A SIL
- TOLD200A POL

- TOLD200U PUR
- TOLD200U MAG
- TOLD200U STO
- TOLD200U BRO
- TOLD200U SIL
- TOLD200U POL



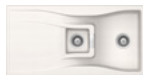


WATERFALL

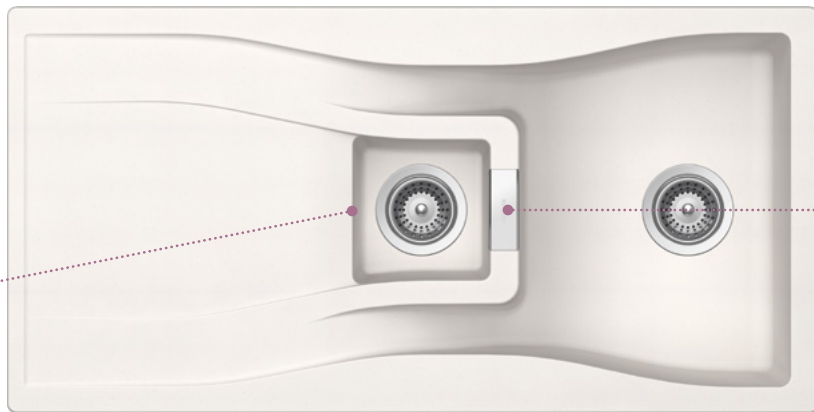
Tap model **SC-520** in Rouge on sink model **Waterfall D-100** in Rouge



D-100



D-150



Clean design language



Designer overflow



Unique design

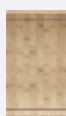
More accessories on p. 216

Fibre-Rock chopping board



(629184)

Wooden chopping board



(629044)

Drain rack, Gastronorm



Trim



Soap dispenser



Comfopush Corner dish

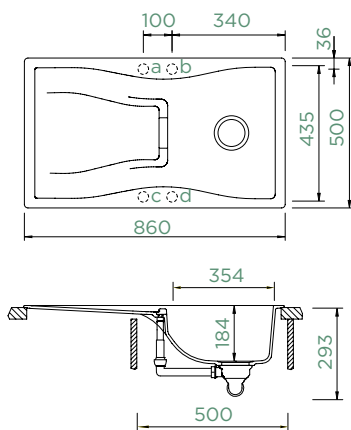




WATERFALL D-100

TOPMOUNT/UNDERMOUNT

Cabinet size: **50 cm**
 Inner dimension of the bowl:
354 × 435 × 184 mm
 Installation: **reversible**
 Cut-out size topmount:
840 × 480 mm
 Cut-out size undermount:
846 × 486 mm
 Worktop for built-in
 dishwasher: **25 mm**



Accessories:

- Automatic drain kit 410077CHR
- Visible Parts in Solid Stainless Steel 400077EDM
- Visible Parts in White Gold 400077WGO
- Visible Parts in Copper 400077COP
- Visible Parts in Gunmetal 400077GUM
- Visible Parts in Puro 400077PUR
- Manual drain kit 410076CHR
- Chopping board, bamboo 629044
- Chopping board Fibre-Rock 629184
- Design Drip Rack 629725S
- Design Drip Rack 629725EDM
- Design Drip Rack 629725COP
- 2x2 Design Drip Rack 629724EDM
- 2x2 Design Drip Rack 629724S

- Corner bowl 629733
- Comfopush, EDM 420016EDM
- Comfopush, CHR 420016CHR
- Amur 629014
- Samo CHR 629169CHR
- Samo EDM 629169EDM
- Samo WGO 629169WGO
- Samo COP 629169COP
- Samo GUM 629169GUM
- Samo PUR 629169S
- Wastecap 628152

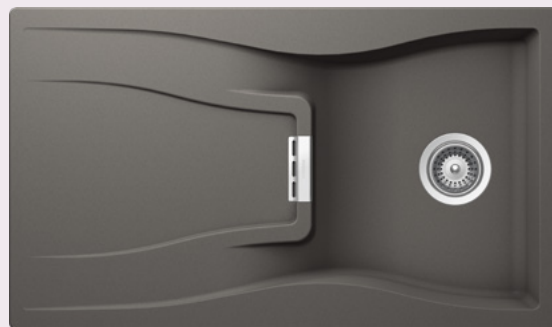
TOPMOUNT

UNDERMOUNT

CRISTADUR® CLASSIC LINE

- WATD100A PUR
- WATD100A MAG
- WATD100A STO
- WATD100A BRO
- WATD100A SIL
- WATD100A POL
- WATD100A ROU

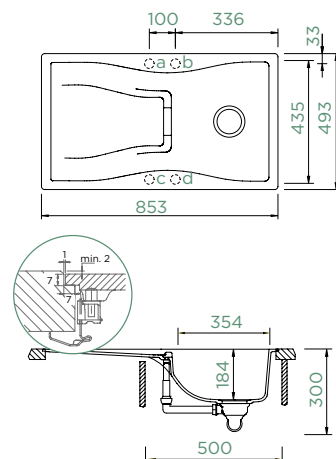
- WATD100U PUR
- WATD100U MAG
- WATD100U STO
- WATD100U BRO
- WATD100U SIL
- WATD100U POL
- WATD100U ROU



WATERFALL D-100

FLUSHMOUNT

Cabinet size: **50 cm**
 Inner dimension of the bowl:
354 × 435 × 184 mm
 Installation: **reversible**
 Cut-out size flushmount:
855 × 495 mm
 Worktop for built-in
 dishwasher: **33 mm**



Accessories:

- Automatic drain kit 410077CHR
- Visible Parts in Solid Stainless Steel 400077EDM
- Visible Parts in White Gold 400077WGO
- Visible Parts in Copper 400077COP
- Visible Parts in Gunmetal 400077GUM
- Visible Parts in Puro 400077PUR
- Manual drain kit 410076CHR
- Chopping board, bamboo 629044
- Chopping board Fibre-Rock 629184
- Design Drip Rack 629725S
- Design Drip Rack 629725EDM
- Design Drip Rack 629725COP
- 2x2 Design Drip Rack 629724EDM
- 2x2 Design Drip Rack 629724S

- Corner bowl 629733
- Comfopush, EDM 420016EDM
- Comfopush, CHR 420016CHR
- Amur 629014
- Samo CHR 629169CHR
- Samo EDM 629169EDM
- Samo WGO 629169WGO
- Samo COP 629169COP
- Samo GUM 629169GUM
- Samo PUR 629169S
- Wastecap 628152

FLUSHMOUNT

CRISTADUR® CLASSIC LINE

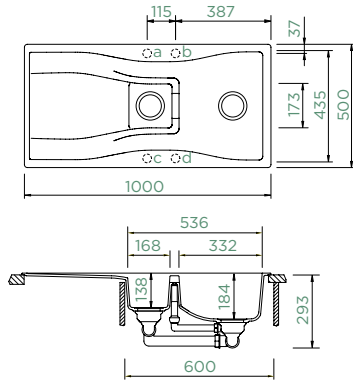
- WATD100FB PUR
- WATD100FB MAG
- WATD100FB STO
- WATD100FB BRO
- WATD100FB SIL
- WATD100FB POL
- WATD100FB ROU



WATERFALL D-150

TOPMOUNT/UNDERMOUNT

Cabinet size: **60 cm**
 Inner dimension of the bowl:
332 x 435 x 184 mm
 Installation: **reversible**
 Cut-out size topmount:
980 x 480 mm
 Cut-out size undermount:
986 x 486 mm
 Worktop for built-in
 dishwasher: **22 mm**



Accessories:

- Automatic drain kit 410067CHR
- Visible Parts in Solid Stainless Steel 400067EDM
- Visible Parts in White Gold 400067WGO
- Visible Parts in Copper 400067COP
- Visible Parts in Gunmetal 400067GUM
- Visible Parts in Puro 400067PUR
- Manual drain kit 410066CHR
- Chopping board, bamboo 629044
- Chopping board Fibre-Rock 629184
- Design Drip Rack 629725S
- Design Drip Rack 629725EDM
- Design Drip Rack 629725COP
- 2x2 Design Drip Rack 629724S

- 2x2 Design Drip Rack 629724EDM
- Corner bowl 629733
- Comfopush, EDM 420016EDM
- Comfopush, CHR 420016CHR
- Amur 629014
- Samo CHR 629169CHR
- Samo EDM 629169EDM
- Samo WGO 629169WGO
- Samo COP 629169COP
- Samo GUM 629169GUM
- Samo PUR 629169S
- Wastecap 628152

TOPMOUNT

UNDERMOUNT

CRISTADUR® CLASSIC LINE

- WATD150A PUR
- WATD150A MAG
- WATD150A STO
- WATD150A BRO
- WATD150A SIL
- WATD150A POL
- WATD150A ROU

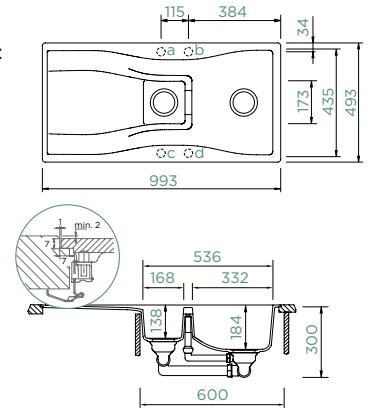
- WATD150U PUR
- WATD150U MAG
- WATD150U STO
- WATD150U BRO
- WATD150U SIL
- WATD150U POL
- WATD150U ROU



WATERFALL D-150

FLUSHMOUNT

Cabinet size: **60 cm**
 Inner dimension of the bowl:
332 x 435 x 184 mm
 Installation: **reversible**
 Cut-out size flushmount:
995 x 495 mm
 Worktop for built-in
 dishwasher: **30 mm**



Accessories:

- Automatic drain kit 410067CHR
- Visible Parts in Solid Stainless Steel 400067EDM
- Visible Parts in White Gold 400067WGO
- Visible Parts in Copper 400067COP
- Visible Parts in Gunmetal 400067GUM
- Visible Parts in Puro 400067PUR
- Manual drain kit 410066CHR
- Chopping board, bamboo 629044
- Chopping board Fibre-Rock 629184
- Design Drip Rack 629725S
- Design Drip Rack 629725EDM
- Design Drip Rack 629725COP
- 2x2 Design Drip Rack 629724S

- 2x2 Design Drip Rack 629724EDM
- Corner bowl 629733
- Comfopush, EDM 420016EDM
- Comfopush, CHR 420016CHR
- Amur 629014
- Samo CHR 629169CHR
- Samo EDM 629169EDM
- Samo WGO 629169WGO
- Samo COP 629169COP
- Samo GUM 629169GUM
- Samo PUR 629169S
- Wastecap 628152

FLUSHMOUNT

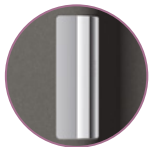
CRISTADUR® CLASSIC LINE

- WATD150FB PUR
- WATD150FB MAG
- WATD150FB STO
- WATD150FB BRO
- WATD150FB SIL
- WATD150FB POL
- WATD150FB ROU

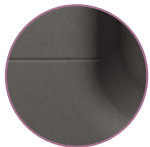


WEMBLEY

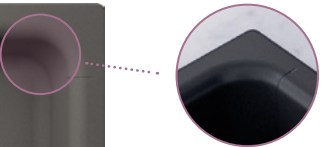
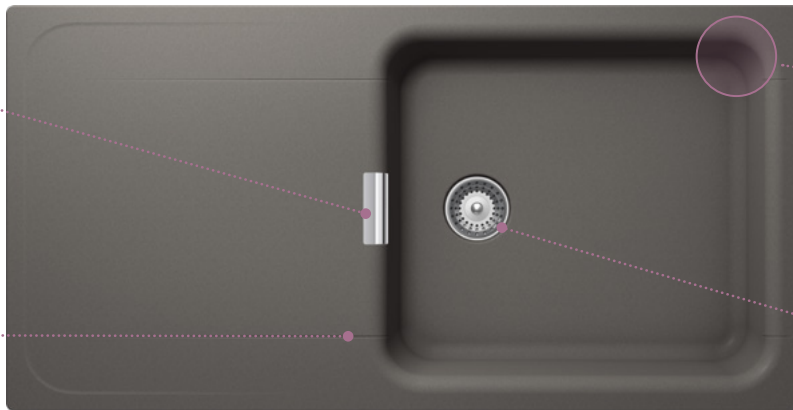
Tap model **Papilio** in Magma on sink model **Wembley D-100** in Magma



Designer overflow



Minimalist drainer grooves for easy cleaning



Smooth contours and smooth corners that are even easier to clean



Patented Perfect Drain for less dirt traps and more colour in the sink

Deep bowl e.g. for filling tall vases or pots & pans



More accessories on p. 216

Wooden chopping board



(629)134

Drain rack, Gastronorm



3 colours



2 colours

Trim



Comfopush





WEMBLEY D-100

TOPMOUNT/UNDERMOUNT

Cabinet size: **50 cm**

Inner dimension of the bowl:

372 × 424 × 200 mm

Installation: **reversible**

Cut-out size topmount:

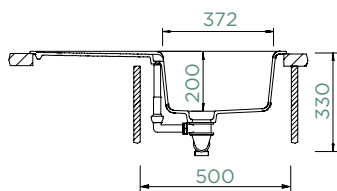
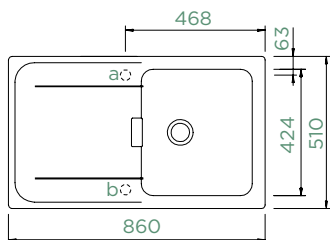
840 × 480 mm

Cut-out size undermount:

844 × 494 mm

Worktop for built-in

dishwasher: **22 mm**



Accessories:

Automatic drain kit 410083CHR
Visible Parts in Solid Stainless Steel
400083EDM

Visible Parts in White Gold 400083WGO

Visible Parts in Copper 400083COP

Visible Parts in Gunmetal 400083GUM

Visible Parts in Puro 400083PUR

Manual drain kit 410082CHR

Chopping board, wood 629134

Design Drip Rack 629725S

Design Drip Rack 629725COP

Design Drip Rack 629725EDM

2x2 Design Drip Rack 629724EDM

2x2 Design Drip Rack 629724S

Comfopush, EDM 420016EDM
Comfopush, CHR 420016CHR
Indutherm 629100

TOPMOUNT

UNDERMOUNT

CRISTADUR® CLASSIC LINE

- WEMD100A MAG
- WEMD100A STO
- WEMD100A BRO
- WEMD100A SIL
- WEMD100A POL

- WEMD100U MAG
- WEMD100U STO
- WEMD100U BRO
- WEMD100U SIL
- WEMD100U POL



WEMBLEY D-100L

TOPMOUNT/UNDERMOUNT

Cabinet size: **60 cm**

Inner dimension of the bowl:

472 × 424 × 200 mm

Installation: **reversible**

Cut-out size topmount:

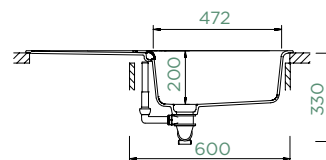
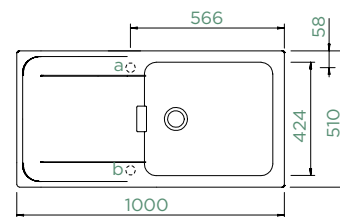
980 × 490 mm

Cut-out size undermount:

984 × 494 mm

Worktop for built-in

dishwasher: **22 mm**



Accessories:

Automatic drain kit 410083CHR
Visible Parts in Solid Stainless Steel
400083EDM

Visible Parts in White Gold 400083WGO

Visible Parts in Copper 400083COP

Visible Parts in Gunmetal 400083GUM

Visible Parts in Puro 400083PUR

Manual drain kit 410082CHR

Chopping board, wood 629134

Design Drip Rack 629725S

Design Drip Rack 629725EDM

Design Drip Rack 629725COP

2x2 Design Drip Rack 629724EDM

2x2 Design Drip Rack 629724S

Comfopush, EDM 420016EDM
Comfopush, CHR 420016CHR
Indutherm 629100

TOPMOUNT

UNDERMOUNT

CRISTADUR® CLASSIC LINE

- WEMD100LA MAG
- WEMD100LA STO
- WEMD100LA BRO
- WEMD100LA SIL
- WEMD100LA POL

- WEMD100LU MAG
- WEMD100LU STO
- WEMD100LU BRO
- WEMD100LU SIL
- WEMD100LU POL



WEMBLEY D-200

TOPMOUNT/UNDERMOUNT

Cabinet size: **80 cm**

Inner dimension of the bowl:

347 × 424 × 200 mm

Installation: **reversible**

Cut-out size topmount:

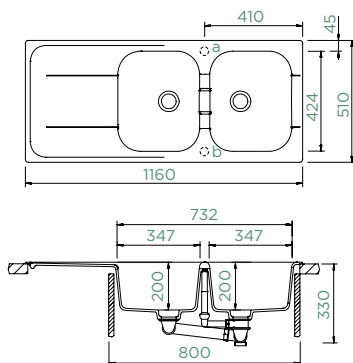
1140 × 480 mm

Cut-out size undermount:

1144 × 494 mm

Worktop for built-in

dishwasher: **22 mm**



Accessories:

Automatic drain kit 410085CHR

Visible Parts in Solid Stainless Steel
400085EDM

Visible Parts in White Gold 400085WGO

Visible Parts in Copper 400085COP

Visible Parts in Gunmetal 400085GUM

Visible Parts in Puro 400085PUR

Manual drain kit 410084CHR

Chopping board, wood 629134

Design Drip Rack 629725S

Design Drip Rack 629725EDM

Design Drip Rack 629725COP

2x2 Design Drip Rack 629724S

2x2 Design Drip Rack 629724EDM

Comfopush, EDM 420016EDM

Comfopush, CHR 420016CHR

Indutherm 629100

TOPMOUNT

UNDERMOUNT

CRISTADUR® CLASSIC LINE

- WEMD200A MAG
- WEMD200A STO
- WEMD200A BRO
- WEMD200A SIL
- WEMD200A POL

- WEMD200U MAG
- WEMD200U STO
- WEMD200U BRO
- WEMD200U SIL
- WEMD200U POL



CRISTALITE®
Sinks



CRISTALITE® Colours

CRISTALITE® BASIC LINE

The multifaceted shades of CRISTALITE® can be combined with different material finishes and colours, allowing the sink to be the central dash of colour for a wide range of interior design styles.



Nero GNE (13)



Onyx GON (10)




Inox GIN (12)



Asphalt GAS (43)



Mocha GMC (63)



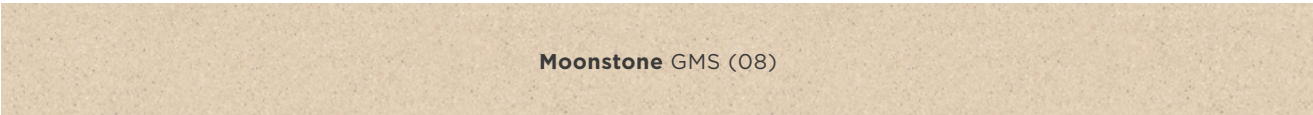
Concrete GBT (42)



Croma GCR (49)



Sabbia GSA (58)



Moonstone GMS (08)



Everest GEV (26)



Alpina GDW (07)

CRISTALITE® Sinks

40

EURO N-100



(A)
(U)

p.101

MANHATTAN D-100XS



(A)
(U)

p.127

VIOLA D-100S



(A)
(U)

p.158

45

ELEMENT D-100S



(A)
(U)

p.97

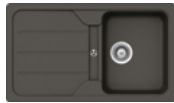
FORMHAUS D-100S



(A)
(U)

p.103

FORMHAUS D-100



(A)
(U)

p.103

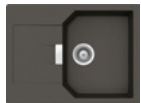
LITHOS D-100



(A)
(U)

p.120

MANHATTAN D-100S



(A)
(U)

p.127

MANHATTAN R-100



(A)
(U)

p.129

PRIMUS D-100



(A)
(U)

p.137

45

RONDA D-100



(A)
(U)

p.144

SIGNATURE N-100XS



(A)
(U)

p.147

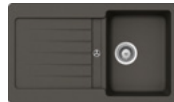
TYPOS D-100S



(A)
(U)

p.153

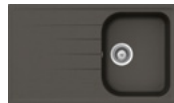
TYPOS D-100



(A)
(U)

p.153

VIOLA D-100



(A)
(U)

p.158

VIRTUS N-100XS



(A)
(U)

p.163

50

BROOKLYN N-100



(A)
(U)

p.83

CITY D-100



(A)
(U)

p.91

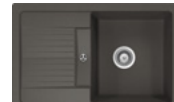
LAHTI N-100



(A)
(U)

p.117

LIMA D-100S



(A)
(U)

(N)

p.115

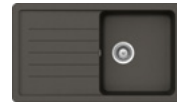
NEMO N-100S



(A)
(U)

p.131

PINEDO D-100



(A)
(U)

p.133

QUADRO N-100S



(A)
(U)

p.141

RONDA D-100L



(A)
(U)

p.144


BROOKLYN N-100L

 (A)
(U)

p.83


FORMHAUS D-150L

 (A)
(U)

p.105


NEMO N-100

 (A)
(U)

p.131


RONDA D-100XL

 (A)
(U)

p.145

CITY D-100L

 (A)
(U)

p.91

GEMO N-100

 (A)
(U)

p.109

PINEDO D-100L

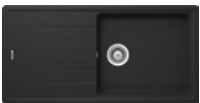
 (A)
(U)

p.133

TYPOS D-100L

 (A)
(U)

p.154

ELEMENT D-100L

 (A)
(U)

p.97

LAHTI N-100L

 (A)
(U)

p.117

PINEDO D-150

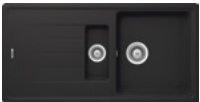
 (A)
(U)

p.134

TYPOS D-150S

 (A)
(U)

p.154

ELEMENT D-150

 (A)
(U)

p.98

LITHOS D-100L

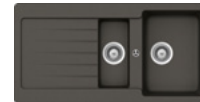
 (A)
(U)

p.120

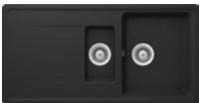
PRIMUS D-100L

 (A)
(U)

p.137

TYPOS D-150

 (A)
(U)

p.155

ELEMENT D-150L

 (A)
(U)

p.98

LITHOS D-150

 (A)
(U)

p.121

PRIMUS D-150

 (A)
(U)

p.138

VIOLA D-100L

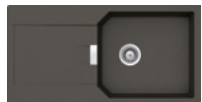
 (A)
(U)

p.159

FORMHAUS D-100LS

 (A)
(U)

p.104

MANHATTAN D-100L

 (A)
(U)

p.128

QUADRO N-100

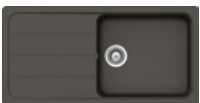
 (A)
(U)

p.141

VIOLA D-150

 (A)
(U)

p.159

FORMHAUS D-100L

 (A)
(U)

p.104

MANHATTAN D-150S

 (A)
(U)

p.128

QUADRO N-150

 (A)
(U)

p.142

CRISTALITE® Sinks



BROOKLYN N-100XL



p. 84



FORMHAUS N-200S



p. 106



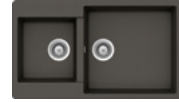
SIGNATURE N-100S



p. 147



BROOKLYN N-175



p. 84

BROOKLYN N-200



p. 85

GEMO N-100Y



p. 109

TYPOS D-200



p. 155

CHARLOTTE N-200



p. 87

CITY D-200



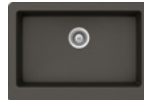
p. 92

LAHTI N-100XL



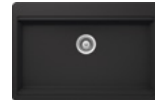
p. 118

VILLA M-100



p. 81

CHELSEA N-100XL



p. 89

ELEMENT D-200



p. 99

LITHOS D-200



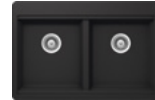
p. 121

VIOLA D-200



p. 160

CHELSEA N-200



p. 89

FORMHAUS D-200



p. 105

LITHOS N-200S



p. 122

VIOLA N-200S



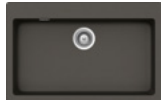
p. 160

CREST N-175



p. 94

PRIMUS N-100XL



p. 138

VIRTUS N-100S



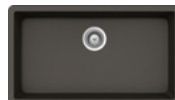
p. 163

CREST N-175Y



p. 94

VIRTUS N-100



p. 164

CREST N-200



p. 95


CREST N-200Y


p. 95


MADISON N-175Y

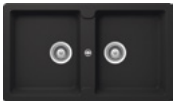

p. 124


SIGNATURE N-200

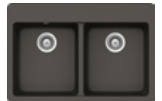

p. 148


GENIUS C-150

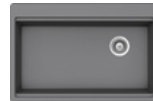

p. 111

ELEMENT N-200


p. 99

MADISON N-200


p. 125

TRIBECA N-100XL


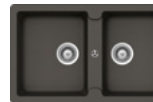
p. 151

FORMHAUS N-200


p. 106

MADISON N-200Y

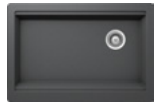

p. 125

TYPOS N-200


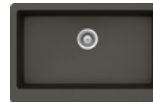
p. 156

IMPULSE N-175


p. 113

MANSION M-100L


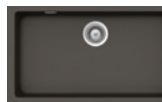
p. 79

VILLA M-100L


p. 81

IMPULSE N-200


p. 113

PRIMUS N-100XLY


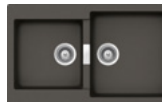
p. 139

VIOLA N-200

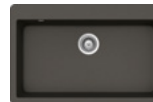

p. 161

LITHOS N-200

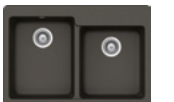

p. 122

PRIMUS N-200


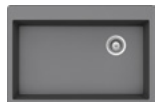
p. 139

VIRTUS N-100XL


p. 164

MADISON N-175


p. 124

SIGNATURE N-100XL


p. 148

VIRTUS N-100XLY


p. 165



MANSION

Tap model **Sina** in Solid Stainless Steel on sink model **Mansion M-100L** in Nero



M-100L



Integrated lip
for hanging and
laying multifunctional
accessories

Single bowl apron sink
for a modern
farmhouse look

Spacious bowl
with room for large cooking utensils



More accessories on p. 216



MANSION M-100L

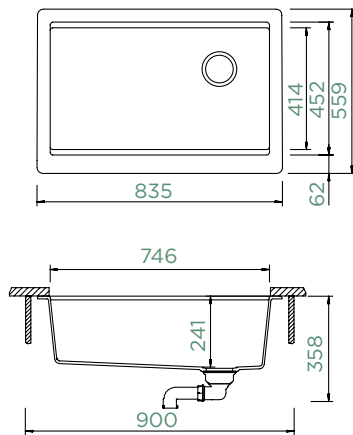
UNDERMOUNT

Cabinet size: **90 cm**

Inner dimension of the bowl:
746 × 414 × 241 mm

Installation: **fixed**

Cut-out size undermount:
754 × 454 mm



Accessories:

Automatic drain kit 410057CHR

Manual drain kit 410056CHR

UNDERMOUNT

CRISTALITE® BASIC LINE

- MNSM100LU GNE
- MNSM100LU GDW



VILLA

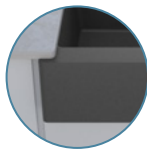
Tap model **Kavus** in Solid Stainless Steel on sink model **Villa M-100** in Inox



M-100



M-100L

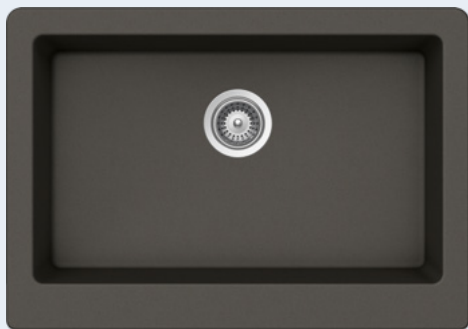


Single bowl apron sink
for a modern
farmhouse look

Spacious bowl
with room for large cooking utensils



More accessories on p. 216

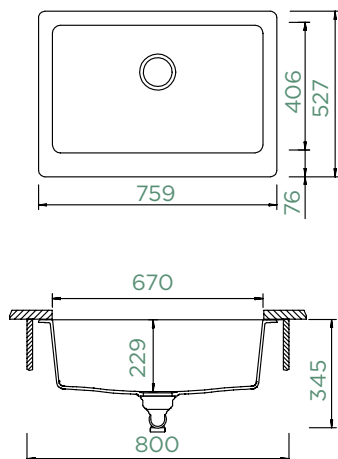


VILLA M-100

UNDERMOUNT

Cabinet size: **80 cm**
 Inner dimension of the bowl:
670 × 406 × 229 mm

Installation: **fixed**
 Cut-out size undermount:
676 × 422 mm



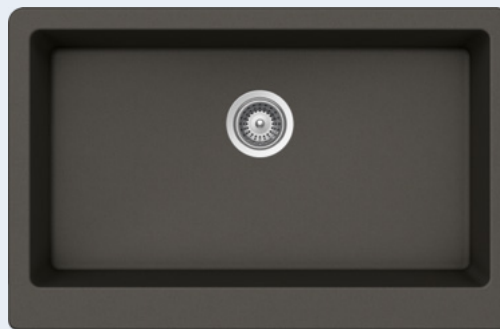
Accessories:
 Automatic drain kit 410057CHR
 Manual drain kit 410056CHR

UNDERMOUNT

CRISTALITE® BASIC LINE

- VILM100M GNE
- VILM100M GON
- VILM100M GIN
- VILM100M GMC
- VILM100M GBT
- VILM100M GCR
- VILM100M GDW

Note: This model is designed to accurately fit into a 30 inch cabinet. The installation in an European standard cabinet with 80 cm requires some adaptations.

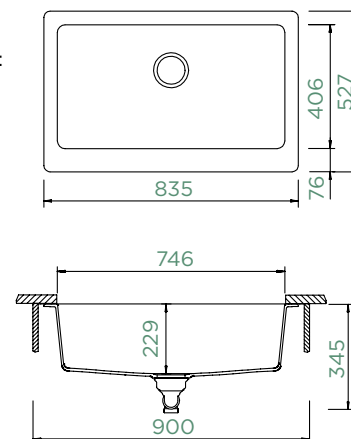


VILLA M-100L

UNDERMOUNT

Cabinet size: **90 cm**
 Inner dimension of the bowl:
746 × 406 × 229 mm

Installation: **fixed**
 Cut-out size undermount:
754 × 422 mm
 Worktop for built-in
 dishwasher: **20 mm**



Accessories:
 Automatic drain kit 410057CHR
 Manual drain kit 410056CHR

UNDERMOUNT

CRISTALITE® BASIC LINE

- VILM100LM GNE
- VILM100LM GON
- VILM100LM GIN
- VILM100LM GMC
- VILM100LM GBT
- VILM100LM GCR
- VILM100LM GDW

Note: This model is designed to accurately fit into a 33 inch cabinet. The installation in an European standard cabinet with 90 cm requires some adaptations.



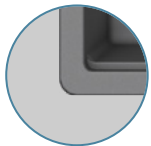
BROOKLYN

Tap model **Hekate** in White on sink model **Brooklyn N-100XL** in Alpina

Wide choice of designs



Patented Perfect Drain
for less dirt traps and more colour in the sink

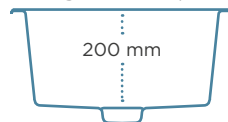


Tight corners - modern look



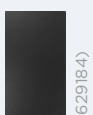
N-100XL, N-200
Integrated lip for hanging and laying multifunctional accessories

Deep bowl
e.g. for filling tall vases or pots & pans



More accessories on p. 216

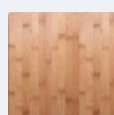
Fibre-Rock chopping board:



N-175

(629184)

Chopping board



N-100XL, N-200

(629158)

Silicone drain mat



Functional bowl



N-100, N-100L

(629111)

Drain rack, Gastronorm



N-100XL, N-200

Comfpush Corner dish

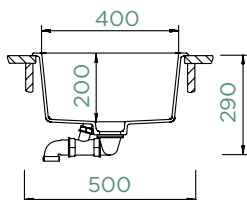
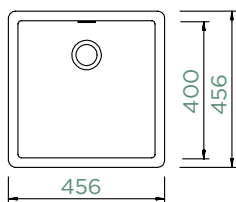




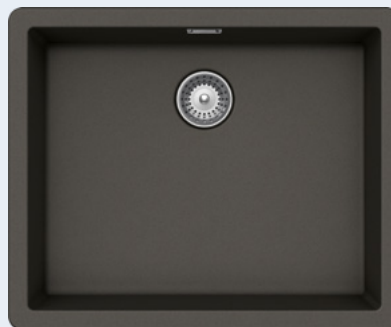
BROOKLYN N-100

TOPMOUNT/UNDERMOUNT

Cabinet size: **50 cm**
 Inner dimension of the bowl:
400 × 400 × 200 mm
 Installation: **fixed**
 Cut-out size topmount:
442 × 442 mm
 Cut-out size undermount:
400 × 400 mm



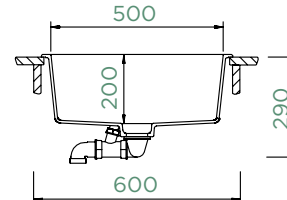
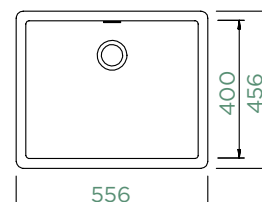
Accessories:
 Automatic drain kit 410051CHR
 Manual drain kit 410050CHR
 Strainer bowl 629111
 Corner bowl 629733
 Silicone Drain Mat 629188
 Silicone Drain Mat Short 629189
 Comfopush, EDM 420016EDM
 Comfopush, CHR 420016CHR



BROOKLYN N-100L

TOPMOUNT/UNDERMOUNT

Cabinet size: **60 cm**
 Inner dimension of the bowl:
500 × 400 × 200 mm
 Installation: **fixed**
 Cut-out size topmount:
542 × 442 mm
 Cut-out size undermount:
500 × 400 mm



Accessories:
 Automatic drain kit 410051CHR
 Manual drain kit 410050CHR
 Strainer bowl 629111
 Corner bowl 629733
 Silicone Drain Mat 629188
 Silicone Drain Mat Short 629189
 Comfopush, EDM 420016EDM
 Comfopush, CHR 420016CHR

TOPMOUNT

UNDERMOUNT

CRISTALITE® BASIC LINE

- | | |
|-----------------------|---------------------|
| ● BYKN100A GNE | BYKN100U GNE |
| ● BYKN100A GON | BYKN100U GON |
| ● BYKN100A GAS | BYKN100U GAS |
| ● BYKN100A GMC | BYKN100U GMC |
| ● BYKN100A GBT | BYKN100U GBT |
| ● BYKN100A GCR | BYKN100U GCR |
| ● BYKN100A GSA | BYKN100U GSA |
| ● BYKN100A GMS | BYKN100U GMS |
| ● BYKN100A GEV | BYKN100U GEV |
| ○ BYKN100A GDW | BYKN100U GDW |

TOPMOUNT

UNDERMOUNT

CRISTALITE® BASIC LINE

- | | |
|------------------------|----------------------|
| ● BYKN100LA GNE | BYKN100LU GNE |
| ● BYKN100LA GON | BYKN100LU GON |
| ● BYKN100LA GAS | BYKN100LU GAS |
| ● BYKN100LA GMC | BYKN100LU GMC |
| ● BYKN100LA GBT | BYKN100LU GBT |
| ● BYKN100LA GCR | BYKN100LU GCR |
| ● BYKN100LA GSA | BYKN100LU GSA |
| ● BYKN100LA GMS | BYKN100LU GMS |
| ● BYKN100LA GEV | BYKN100LU GEV |
| ○ BYKN100LA GDW | BYKN100LU GDW |



BROOKLYN N-100XL

TOPMOUNT/UNDERMOUNT

Cabinet size: **80 cm**

Inner dimension of the bowl:

694 × 384 × 200 mm

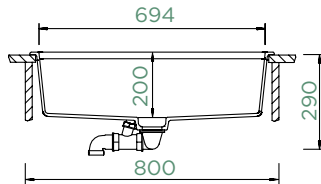
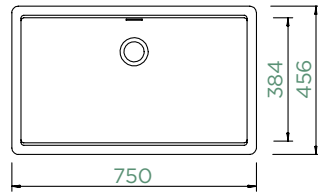
Installation: **fixed**

Cut-out size topmount:

736 × 442 mm

Cut-out size undermount:

694 × 400 mm



Accessories:

Automatic drain kit 410051CHR
 Manual drain kit 410050CHR
 Chopping board, wood 629158
 Design Drip Rack 629726S
 Design Drip Rack 629726COP
 Design Drip Rack 629726EDM
 2x2 Design Drip Rack 629738S
 2x2 Design Drip Rack 629738EDM
 Corner bowl 629733
 Carrier 629146
 Gastronorm Container GN 2/8 629060
 Gastronorm Container GN 2/8 629061
 Gastronorm Container GN 2/3 629063
 Silicone Drain Mat 629188

Silicone Drain Mat Short 629189
 Comfopush, EDM 420016EDM
 Comfopush, CHR 420016CHR



BROOKLYN N-175

TOPMOUNT/UNDERMOUNT

Cabinet size: **90 cm**

Inner dimension of the bowl:

470 × 444 × 210 mm

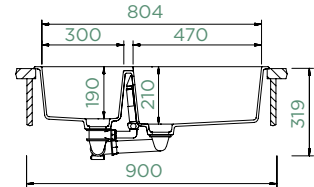
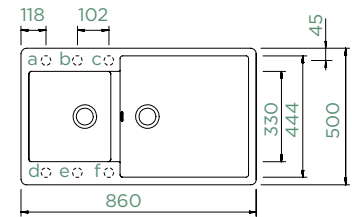
Installation: **reversible**

Cut-out size topmount:

846 × 486 mm

Cut-out size undermount:

844 × 484 mm



Accessories:

Automatic drain kit 410063CHR
 Manual drain kit 410062CHR
 Chopping board, bamboo 629044
 Chopping board Fibre-Rock 629184
 Silicone Drain Mat 629188
 Silicone Drain Mat Short 629189
 Corner bowl 629733
 Comfopush, EDM 420016EDM
 Comfopush, CHR 420016CHR
 Wastecap 628152

TOPMOUNT

UNDERMOUNT

CRISTALITE® BASIC LINE

| | |
|-------------------------|-----------------------|
| ● BYKN100XLA GNE | BYKN100XLU GNE |
| ● BYKN100XLA GON | BYKN100XLU GON |
| ● BYKN100XLA GAS | BYKN100XLU GAS |
| ● BYKN100XLA GMC | BYKN100XLU GMC |
| ● BYKN100XLA GBT | BYKN100XLU GBT |
| ● BYKN100XLA GCR | BYKN100XLU GCR |
| ● BYKN100XLA GSA | BYKN100XLU GSA |
| ● BYKN100XLA GMS | BYKN100XLU GMS |
| ● BYKN100XLA GEV | BYKN100XLU GEV |
| ○ BYKN100XLA GDW | BYKN100XLU GDW |

TOPMOUNT

UNDERMOUNT

CRISTALITE® BASIC LINE

| | |
|-----------------------|---------------------|
| ● BYKN175A GNE | BYKN175U GNE |
| ● BYKN175A GON | BYKN175U GON |
| ● BYKN175A GAS | BYKN175U GAS |
| ● BYKN175A GMC | BYKN175U GMC |
| ● BYKN175A GBT | BYKN175U GBT |
| ● BYKN175A GCR | BYKN175U GCR |
| ● BYKN175A GSA | BYKN175U GSA |
| ● BYKN175A GMS | BYKN175U GMS |
| ● BYKN175A GEV | BYKN175U GEV |
| ○ BYKN175A GDW | BYKN175U GDW |



BROOKLYN N-200

TOPMOUNT/UNDERMOUNT

Cabinet size: **80 cm**

Inner dimension of the bowl:

333 × 384 × 200 mm

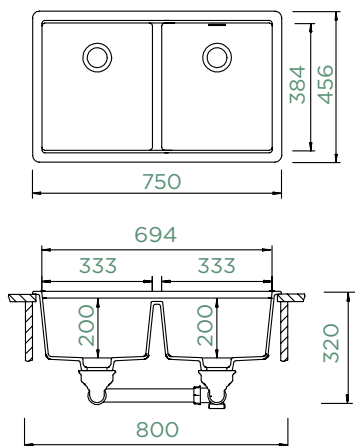
Installation: **fixed**

Cut-out size topmount:

736 × 442 mm

Cut-out size undermount:

694 × 400 mm



Accessories:

Automatic drain kit 410087CHR

Manual drain kit 410086CHR

Chopping board, wood 629158

Design Drip Rack 629726S

Design Drip Rack 629726EDM

Design Drip Rack 629726COP

2x2 Design Drip Rack 629738S

2x2 Design Drip Rack 629738EDM

Corner bowl 629733

Carrier 629146

Gastronorm Container GN 2/8 629060

Gastronorm Container GN 2/8 629061

Gastronorm Container GN 2/3 629063

Silicone Drain Mat 629188

Silicone Drain Mat Short 629189

Comfopush, EDM 420016EDM

Comfopush, CHR 420016CHR

TOPMOUNT

UNDERMOUNT

CRISTALITE® BASIC LINE

- BYKN200A **GNE**
- BYKN200A **GON**
- BYKN200A **GAS**
- BYKN200A **GMC**
- BYKN200A **GBT**
- BYKN200A **GCR**
- BYKN200A **GSA**
- BYKN200A **GMS**
- BYKN200A **GEV**
- BYKN200A **GDW**

- BYKN200U **GNE**
- BYKN200U **GON**
- BYKN200U **GAS**
- BYKN200U **GMC**
- BYKN200U **GBT**
- BYKN200U **GCR**
- BYKN200U **GSA**
- BYKN200U **GMS**
- BYKN200U **GEV**
- BYKN200U **GDW**

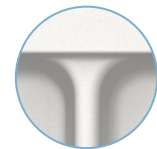
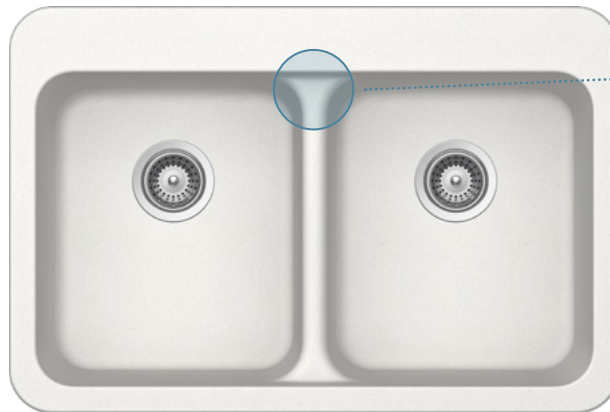


CHARLOTTE

Tap model **Sina** in Solid Stainless Steel on sink model **Charlotte N-200** in Nero



N-200



Smooth contours
and smooth corners
that are even easier to clean

Deep bowl
e.g. for filling tall vases or pots & pans



More accessories on p. 216

Silicone drain
mat



Wastecap





CHARLOTTE N-200

TOPMOUNT/UNDERMOUNT

Cabinet size: **90 cm**

Inner dimension of the bowl:

371 × 431 × 203 mm

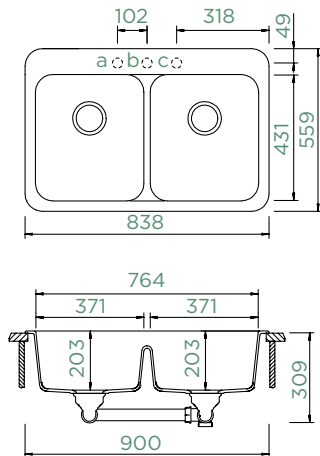
Installation: **fixed**

Cut-out size topmount:

818 × 539 mm

Cut-out size undermount:

773 × 441 mm



Accessories:

Automatic drain kit 410059CHR

Manual drain kit 410058CHR

Silicone Drain Mat 629188

Silicone Drain Mat Short 629189

Wastecap 628152

TOPMOUNT

UNDERMOUNT

CRISTALITE® BASIC LINE

● CLTN200A **GNE**

CLTN200U **GNE**

○ CLTN200A **GDW**

CLTN200U **GDW**



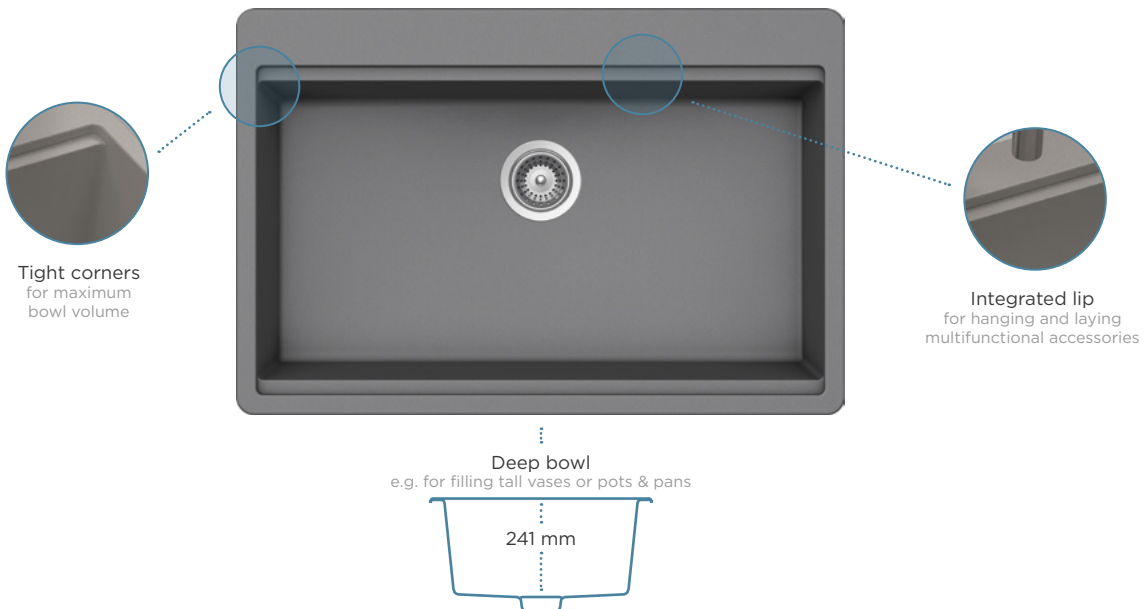
CHELSEA

Tap model **Sina** in Solid Stainless Steel on sink model **Chelsea N-100XL** in Concrete



N-100XL

N-200



More accessories on p. 216

**Silicone drain
mat**



Wastecap

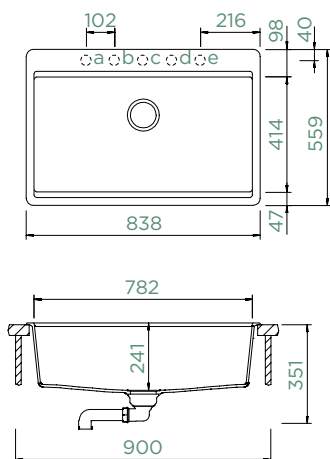




CHELSEA N-100XL

TOPMOUNT/UNDERMOUNT

Cabinet size: **90 cm**
 Inner dimension of the bowl:
782 × 414 × 241 mm
 Installation: **fixed**
 Cut-out size topmount:
824 × 545 mm
 Cut-out size undermount:
788 × 458 mm



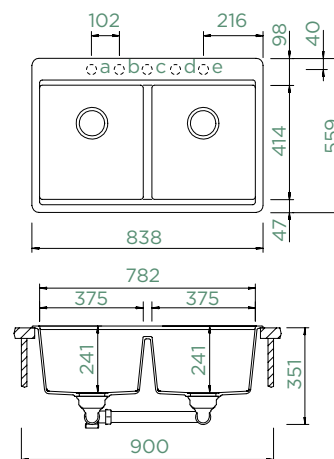
Accessories:
 Automatic drain kit 410057CHR
 Manual drain kit 410056CHR
 Silicone Drain Mat 629188
 Silicone Drain Mat Short 629189
 Wastecap 628152



CHELSEA N-200

TOPMOUNT/UNDERMOUNT

Cabinet size: **90 cm**
 Inner dimension of the bowl:
375 × 414 × 241 mm
 Installation: **fixed**
 Cut-out size topmount:
824 × 545 mm
 Cut-out size undermount:
788 × 458 mm



Accessories:
 Automatic drain kit 410059CHR
 Manual drain kit 410058CHR
 Silicone Drain Mat 629188
 Silicone Drain Mat Short 629189
 Wastecap 628152

TOPMOUNT

UNDERMOUNT

CRISTALITE® BASIC LINE

- CHEN100XLA GNE
- CHEN100XLA GON
- CHEN100XLA GIN
- CHEN100XLA GMC
- CHEN100XLA GBT
- CHEN100XLA GCR
- CHEN100XLA GDW

- CHEN100XLU GNE
- CHEN100XLU GON
- CHEN100XLU GIN
- CHEN100XLU GMC
- CHEN100XLU GBT
- CHEN100XLU GCR
- CHEN100XLU GDW

TOPMOUNT

UNDERMOUNT

CRISTALITE® BASIC LINE

- CHEN200A GNE
- CHEN200A GON
- CHEN200A GIN
- CHEN200A GMC
- CHEN200A GBT
- CHEN200A GCR
- CHEN200A GDW

- CHEN200U GNE
- CHEN200U GON
- CHEN200U GIN
- CHEN200U GMC
- CHEN200U GBT
- CHEN200U GCR
- CHEN200U GDW



CITY

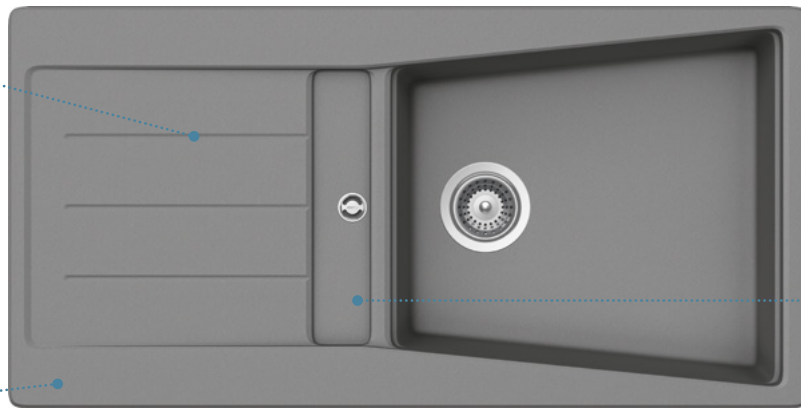
Tap model **SC-550** in Alpina on sink model **City D-100** in Alpina



Integrated
drainer
grooves



Elegant
all-round
bevel
keeps water and dirt
contained within the
sink area



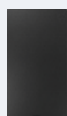
Clean design
language



D-100L: Recessed
overflow
e.g. for pouring away
left-over liquids

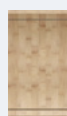
More accessories on p. 216

**Fibre-Rock
chopping board**



(629184)

**Wooden
chopping board**



(629044)

**Soap dis-
penser**



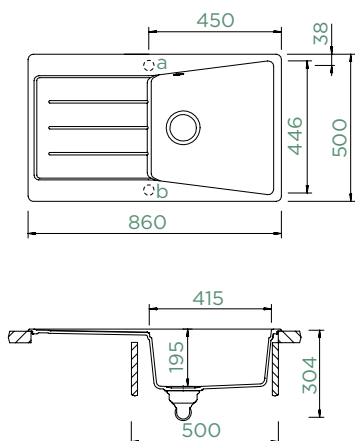
Wastecap



CITY D-100

TOPMOUNT/UNDERMOUNT

Cabinet size: **50 cm**
 Inner dimension of the bowl:
415 × 446 × 195 mm
 Installation: **reversible**
 Cut-out size topmount:
840 × 480 mm
 Cut-out size undermount:
846 × 486 mm
 Worktop for built-in
 dishwasher: **16 mm**



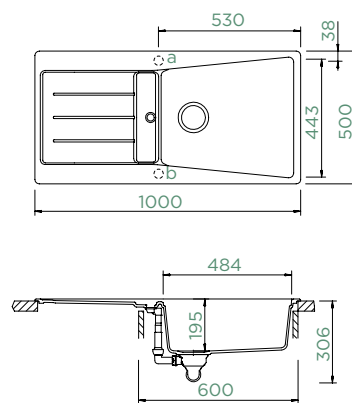
Accessories:
 Automatic drain kit 410061CHR
 Manual drain kit 410060CHR
 Chopping board, bamboo 629044
 Chopping board Fibre-Rock 629184
 Wastecap 628152



CITY D-100L

TOPMOUNT/UNDERMOUNT

Cabinet size: **60 cm**
 Inner dimension of the bowl:
484 × 443 × 195 mm
 Installation: **reversible**
 Cut-out size topmount:
980 × 480 mm
 Cut-out size undermount:
986 × 486 mm
 Worktop for built-in
 dishwasher: **26 mm**



Accessories:
 Automatic drain kit 410061CHR
 Manual drain kit 410060CHR
 Chopping board, bamboo 629044
 Chopping board Fibre-Rock 629184
 Wastecap 628152

TOPMOUNT

UNDERMOUNT

CRISTALITE® BASIC LINE

- CITD100A GNE
- CITD100A GON
- CITD100A GBT
- CITD100A GCR
- CITD100A GMS
- CITD100A GDW

- CITD100U GNE
- CITD100U GON
- CITD100U GBT
- CITD100U GCR
- CITD100U GMS
- CITD100U GDW

TOPMOUNT

UNDERMOUNT

CRISTALITE® BASIC LINE

- CITD100LA GNE
- CITD100LA GON
- CITD100LA GBT
- CITD100LA GCR
- CITD100LA GMS
- CITD100LA GDW

- CITD100LU GNE
- CITD100LU GON
- CITD100LU GBT
- CITD100LU GCR
- CITD100LU GMS
- CITD100LU GDW



CITY D-200

TOPMOUNT/UNDERMOUNT

Cabinet size: **80 cm**

Inner dimension of the bowl:

335 × 443 × 195 mm

Installation: **reversible**

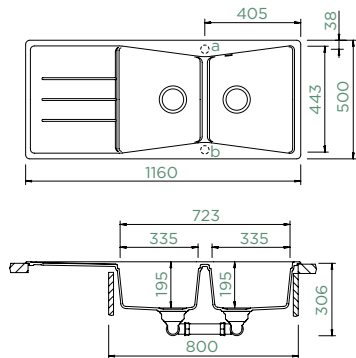
Cut-out size topmount:

1140 × 480 mm

Cut-out size undermount:

1146 × 486 mm

Worktop for built-in
dishwasher: **15 mm**



Accessories:

Automatic drain kit 410063CHR

Manual drain kit 410062CHR

Chopping board, bamboo 629044

Chopping board Fibre-Rock 629184

Wastecap 628152

TOPMOUNT

UNDERMOUNT

CRISTALITE® BASIC LINE

- CITD200A GNE
- CITD200A GON
- CITD200A GBT
- CITD200A GCR
- CITD200A GMS
- CITD200A GDW

- CITD200U GNE
- CITD200U GON
- CITD200U GBT
- CITD200U GCR
- CITD200U GMS
- CITD200U GDW



CREST

Tap model **Gota** in Chrome on sink model **Crest N-200** in Asphalt



N-175

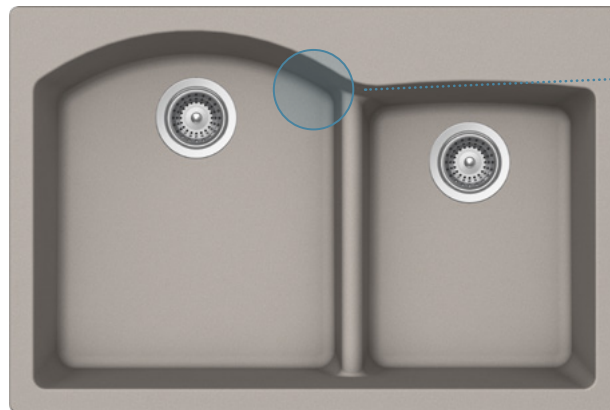
N-175Y

N-200

N-200Y



Recessed separator



Smooth contours and smooth corners that are even easier to clean

Deep bowl
e.g. for filling tall vases or pots & pans



More accessories on p. 216

Silicone drain mat



Wastecap





CREST N-175

TOPMOUNT/UNDERMOUNT

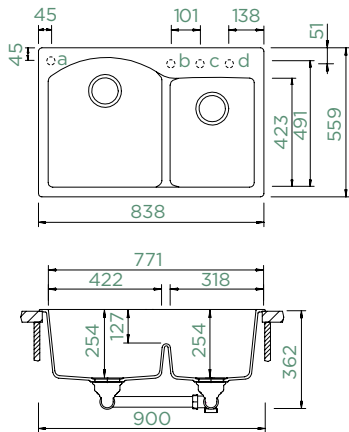
Cabinet size: **90 cm**

Inner dimension of the bowl: **422 × 491 × 254 mm**

Installation: **fixed**

Cut-out size topmount: **819 × 539 mm**

Cut-out size undermount: **according to template**



Accessories:

Automatic drain kit 410059CHR
Manual drain kit 410058CHR
Silicone Drain Mat 629188
Silicone Drain Mat Short 629189
Wastecap 628152

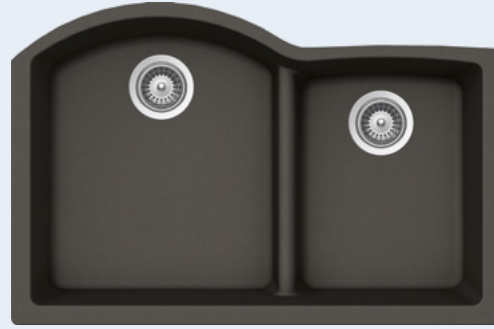
TOPMOUNT

CRISTALITE® BASIC LINE

- EODN175A GNE
- EODN175A GON
- EODN175A GAS
- EODN175A GMC
- EODN175A GBT
- EODN175A GMS
- EODN175A GEV

UNDERMOUNT

- EODN175U GNE
- EODN175U GON
- EODN175U GAS
- EODN175U GMC
- EODN175U GBT
- EODN175U GMS
- EODN175U GEV



CREST N-175Y

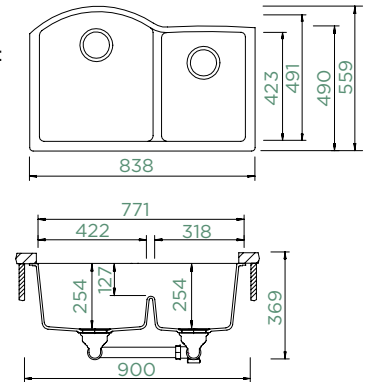
UNDERMOUNT

Cabinet size: **90 cm**

Inner dimension of the bowl: **422 × 491 × 254 mm**

Installation: **fixed**

Cut-out size undermount: **according to template**



Accessories:

Automatic drain kit 410059CHR
Manual drain kit 410058CHR
Silicone Drain Mat 629188
Silicone Drain Mat Short 629189
Wastecap 628152

UNDERMOUNT

CRISTALITE® BASIC LINE

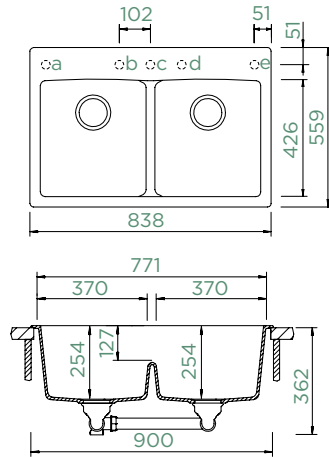
- EODN175YU GNE
- EODN175YU GON
- EODN175YU GAS
- EODN175YU GMC
- EODN175YU GBT
- EODN175YU GMS
- EODN175YU GEV



CREST N-200

TOPMOUNT/UNDERMOUNT

Cabinet size: **90 cm**
 Inner dimension of the bowl:
370 × 426 × 254 mm
 Installation: **fixed**
 Cut-out size topmount:
819 × 539 mm
 Cut-out size undermount:
Please use dxf data



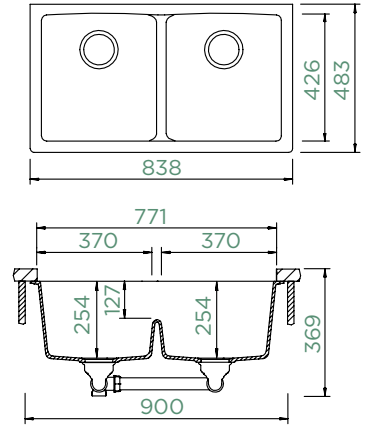
Accessories:
 Automatic drain kit 410059CHR
 Manual drain kit 410058CHR
 Silicone Drain Mat 629188
 Silicone Drain Mat Short 629189
 Wastecap 628152



CREST N-200Y

UNDERMOUNT

Cabinet size: **90 cm**
 Inner dimension of the bowl:
370 × 426 × 254 mm
 Installation: **fixed**
 Cut-out size undermount:
Please use dxf data



Accessories:
 Automatic drain kit 410059CHR
 Manual drain kit 410058CHR
 Silicone Drain Mat 629188
 Silicone Drain Mat Short 629189
 Wastecap 628152

TOPMOUNT

UNDERMOUNT

CRISTALITE® BASIC LINE

- EODN200A GNE
- EODN200A GON
- EODN200A GAS
- EODN200A GMC
- EODN200A GBT
- EODN200A GMS
- EODN200A GEV

- EODN200U GNE
- EODN200U GON
- EODN200U GAS
- EODN200U GMC
- EODN200U GBT
- EODN200U GMS
- EODN200U GEV

UNDERMOUNT

CRISTALITE® BASIC LINE

- EODN200YU GNE
- EODN200YU GON
- EODN200YU GAS
- EODN200YU GMC
- EODN200YU GBT
- EODN200YU GMS
- EODN200YU GEV



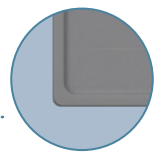
ELEMENT

Tap model **Laio** in Solid Stainless Steel on sink model **Element D-150** in Nero

Wide choice of designs



Integrated drainer grooves



All-round rim keeps water and dirt contained within the sink area

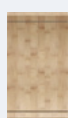
More accessories on p. 216

Fibre-Rock chopping board



(629184)

Wooden chopping board



(629044)

Wastecap



Corner dish



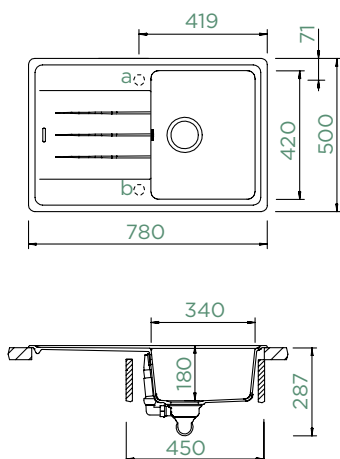
(629733)



ELEMENT D-100S

TOPMOUNT/UNDERMOUNT

Cabinet size: **45 cm**
 Inner dimension of the bowl:
340 × 420 × 180 mm
 Installation: **reversible**
 Cut-out size topmount:
760 × 480 mm
 Cut-out size undermount:
764 × 484 mm
 Worktop for built-in
 dishwasher: **22 mm**



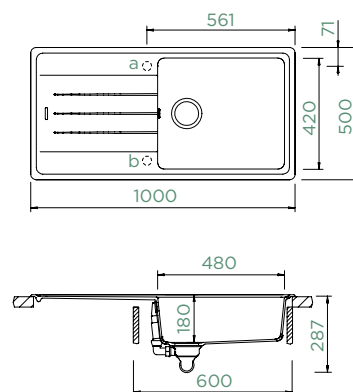
Accessories:
 Automatic drain kit 629871
 Manual drain kit 629870
 Chopping board, bamboo 629044
 Chopping board Fibre-Rock 629184
 Corner bowl 629733
 Wastecap 628152



ELEMENT D-100L

TOPMOUNT/UNDERMOUNT

Cabinet size: **60 cm**
 Inner dimension of the bowl:
480 × 420 × 180 mm
 Installation: **reversible**
 Cut-out size topmount:
980 × 480 mm
 Cut-out size undermount:
984 × 484 mm
 Worktop for built-in
 dishwasher: **22 mm**



Accessories:
 Automatic drain kit 629871
 Manual drain kit 629870
 Chopping board, bamboo 629044
 Chopping board Fibre-Rock 629184
 Corner bowl 629733
 Wastecap 628152

TOPMOUNT

UNDERMOUNT

CRISTALITE® BASIC LINE

- | | |
|-----------------|---------------|
| ● ELED100SA GNE | ELED100SU GNE |
| ● ELED100SA GON | ELED100SU GON |
| ● ELED100SA GCR | ELED100SU GCR |
| ● ELED100SA GSA | ELED100SU GSA |
| ● ELED100SA GMS | ELED100SU GMS |
| ○ ELED100SA GDW | ELED100SU GDW |

TOPMOUNT

UNDERMOUNT

CRISTALITE® BASIC LINE

- | | |
|-----------------|---------------|
| ● ELED100LA GNE | ELED100LU GNE |
| ● ELED100LA GON | ELED100LU GON |
| ● ELED100LA GCR | ELED100LU GCR |
| ● ELED100LA GSA | ELED100LU GSA |
| ● ELED100LA GMS | ELED100LU GMS |
| ○ ELED100LA GDW | ELED100LU GDW |



ELEMENT D-150

TOPMOUNT/UNDERMOUNT

Cabinet size: **60 cm**

Inner dimension of the bowl:

380 × 420 × 180 mm

Installation: **reversible**

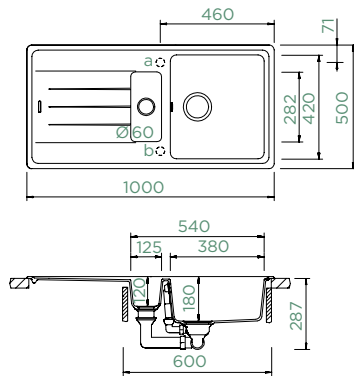
Cut-out size topmount:

980 × 480 mm

Cut-out size undermount:

984 × 484 mm

Worktop for built-in
dishwasher: **22 mm**



Accessories:

Automatic drain kit 629881

Manual drain kit 629880

Chopping board, bamboo 629044

Chopping board Fibre-Rock 629184

Corner bowl 629733

Wastecap 628152

TOPMOUNT

UNDERMOUNT

CRISTALITE® BASIC LINE

- ELED150A GNE
- ELED150A GON
- ELED150A GCR
- ELED150A GSA
- ELED150A GMS
- ELED150A GDW

- ELED150U GNE
- ELED150U GON
- ELED150U GCR
- ELED150U GSA
- ELED150U GMS
- ELED150U GDW



ELEMENT D-150L

TOPMOUNT/UNDERMOUNT

Cabinet size: **60 cm**

Inner dimension of the bowl:

350 × 420 × 180 mm

Installation: **reversible**

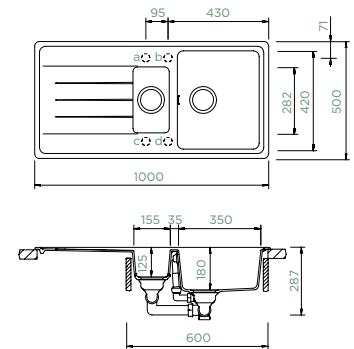
Cut-out size topmount:

980 × 480 mm

Cut-out size undermount:

984 × 484 mm

Worktop for built-in
dishwasher: **22 mm**



Accessories:

Automatic drain kit 629875

Manual drain kit 629874

Chopping board, bamboo 629044

Chopping board Fibre-Rock 629184

Corner bowl 629733

Wastecap 628152

TOPMOUNT

UNDERMOUNT

CRISTALITE® BASIC LINE

- ELED150A GNE
- ELED150A GON
- ELED150A GCR
- ELED150A GSA
- ELED150A GMS
- ELED150A GDW

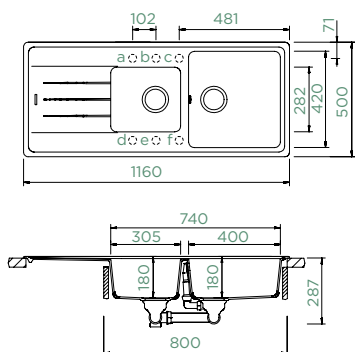
- ELED150U GNE
- ELED150U GON
- ELED150U GCR
- ELED150U GSA
- ELED150U GMS
- ELED150U GDW



ELEMENT D-200

TOPMOUNT/UNDERMOUNT

Cabinet size: **80 cm**
 Inner dimension of the bowl:
400 × 420 × 180 mm
 Installation: **reversible**
 Cut-out size topmount:
1140 × 480 mm
 Cut-out size undermount:
1144 × 484 mm
 Worktop for built-in
 dishwasher: **22 mm**



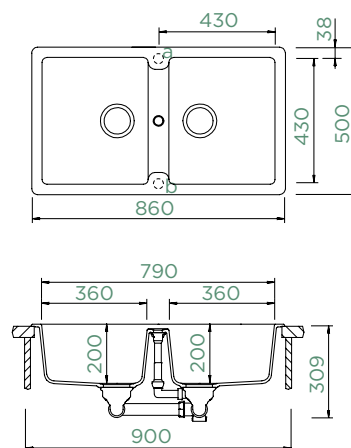
Accessories:
 Automatic drain kit 629875
 Manual drain kit 629874
 Chopping board, bamboo 629044
 Chopping board Fibre-Rock 629184
 Corner bowl 629733
 Wastecap 628152



ELEMENT N-200

TOPMOUNT/UNDERMOUNT

Cabinet size: **90 cm**
 Inner dimension of the bowl:
360 × 430 × 200 mm
 Installation: **reversible**
 Cut-out size topmount:
840 × 480 mm
 Cut-out size undermount:
846 × 486 mm



Accessories:
 Automatic drain kit 629879
 Manual drain kit 629878
 Chopping board, bamboo 629044
 Chopping board Fibre-Rock 629184
 Silicone Drain Mat 629188
 Silicone Drain Mat Short 629189
 Corner bowl 629733
 Wire basket 629171
 Wastecap 628152

TOPMOUNT

UNDERMOUNT

CRISTALITE® BASIC LINE

- ELED200A GNE
- ELED200A GON
- ELED200A GCR
- ELED200A GSA
- ELED200A GMS
- ELED200A GDW

- ELED200U GNE
- ELED200U GON
- ELED200U GCR
- ELED200U GSA
- ELED200U GMS
- ELED200U GDW

TOPMOUNT

UNDERMOUNT

CRISTALITE® BASIC LINE

- ELEN200A GNE
- ELEN200A GON
- ELEN200A GCR
- ELEN200A GSA
- ELEN200A GMS
- ELEN200A GDW

- ELEN200U GNE
- ELEN200U GON
- ELEN200U GCR
- ELEN200U GSA
- ELEN200U GMS
- ELEN200U GDW

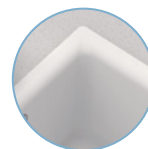


EURO

Tap model **Metis** in Chrom on sink model **Euro N-100** in Alpina



N-100



Smooth contours
and smooth corners
that are even easier to clean

Deep bowl
e.g. for filling tall vases or pots & pans



More accessories on p. 216

Silicone drain
mat



Wastecap





EURO N-100

TOPMOUNT/UNDERMOUNT

Cabinet size: **40 cm**

Inner dimension of the bowl:

331 × 331 × 205 mm

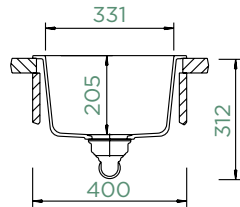
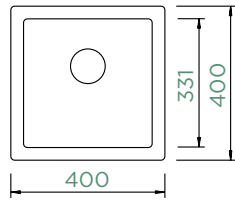
Installation: **fixed**

Cut-out size topmount:

380 × 380 mm

Cut-out size undermount:

376 × 376 mm



Accessories:

Automatic drain kit 410061CHR

Manual drain kit 410060CHR

Silicone Drain Mat 629188

Silicone Drain Mat Short 629189

Wastecap 628152

TOPMOUNT

UNDERMOUNT

CRISTALITE® BASIC LINE

- EURN100A GNE
- EURN100A GON
- EURN100A GAS
- EURN100A GMC
- EURN100A GBT
- EURN100A GCR
- EURN100A GSA
- EURN100A GMS
- EURN100A GEV
- EURN100A GDW

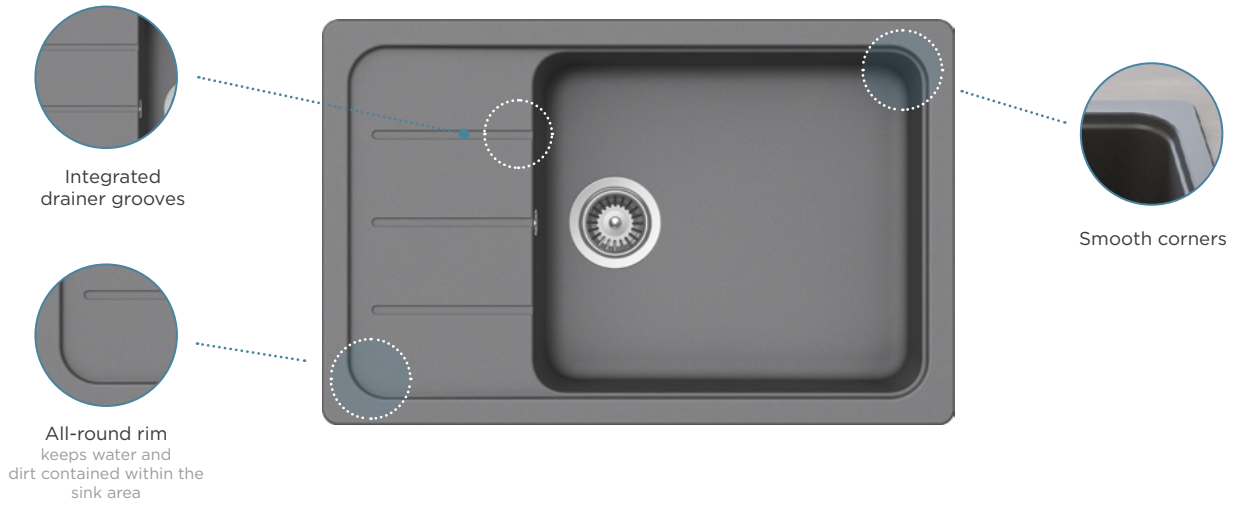
- EURN100U GNE
- EURN100U GON
- EURN100U GAS
- EURN100U GMC
- EURN100U GBT
- EURN100U GCR
- EURN100U GSA
- EURN100U GMS
- EURN100U GEV
- EURN100U GDW



FORMHAUS

Tap model **Cosmo** in Chrome on sink model **Formhaus D-100** in Asphalt

Wide choice of designs



More accessories on p. 216

- Fibre-Rock chopping board**



(629184)
- Wooden chopping board**



(629044)
- Wastecap**


- Corner dish**



(629733)

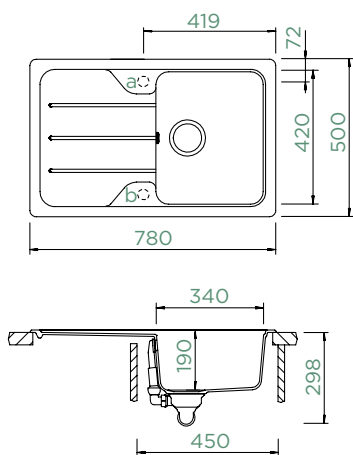
Not for D-200, N-200S, N-200



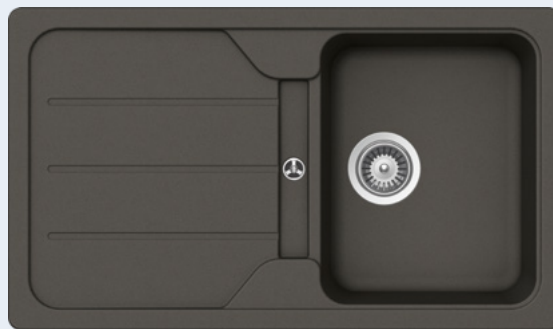
FORMHAUS D-100S

TOPMOUNT/UNDERMOUNT

Cabinet size: **45 cm**
 Inner dimension of the bowl:
340 × 420 × 190 mm
 Installation: **reversible**
 Cut-out size topmount:
760 × 480 mm
 Cut-out size undermount:
766 × 486 mm
 Worktop for built-in
 dishwasher: **21 mm**



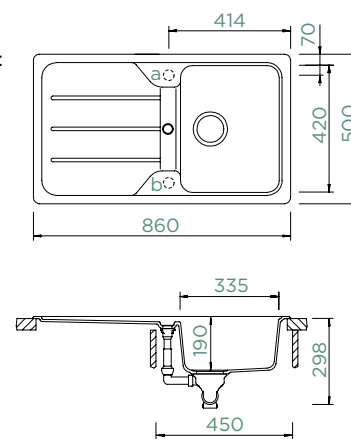
Accessories:
 Automatic drain kit 629871
 Manual drain kit 629870
 Chopping board, bamboo 629044
 Chopping board Fibre-Rock 629184
 Corner bowl 629733
 Wastecap 628152



FORMHAUS D-100

TOPMOUNT/UNDERMOUNT

Cabinet size: **45 cm**
 Inner dimension of the bowl:
335 × 420 × 190 mm
 Installation: **reversible**
 Cut-out size topmount:
840 × 480 mm
 Cut-out size undermount:
846 × 486 mm
 Worktop for built-in
 dishwasher: **28 mm**



Accessories:
 Automatic drain kit 629899
 Manual drain kit 629872
 Chopping board, bamboo 629044
 Chopping board Fibre-Rock 629184
 Corner bowl 629733
 Wastecap 628152

TOPMOUNT

UNDERMOUNT

CRISTALITE® BASIC LINE

- | | |
|-----------------|---------------|
| ● FOMD100SA GNE | FOMD100SU GNE |
| ● FOMD100SA GON | FOMD100SU GON |
| ● FOMD100SA GAS | FOMD100SU GAS |
| ● FOMD100SA GCR | FOMD100SU GCR |
| ● FOMD100SA GSA | FOMD100SU GSA |
| ● FOMD100SA GMS | FOMD100SU GMS |
| ○ FOMD100SA GDW | FOMD100SU GDW |

TOPMOUNT

UNDERMOUNT

CRISTALITE® BASIC LINE

- | | |
|----------------|--------------|
| ● FOMD100A GNE | FOMD100U GNE |
| ● FOMD100A GON | FOMD100U GON |
| ● FOMD100A GAS | FOMD100U GAS |
| ● FOMD100A GCR | FOMD100U GCR |
| ● FOMD100A GSA | FOMD100U GSA |
| ● FOMD100A GMS | FOMD100U GMS |
| ○ FOMD100A GDW | FOMD100U GDW |



FORMHAUS D-100LS

TOPMOUNT/UNDERMOUNT

Cabinet size: **60 cm**

Inner dimension of the bowl:

480 × 420 × 190 mm

Installation: **reversible**

Cut-out size topmount:

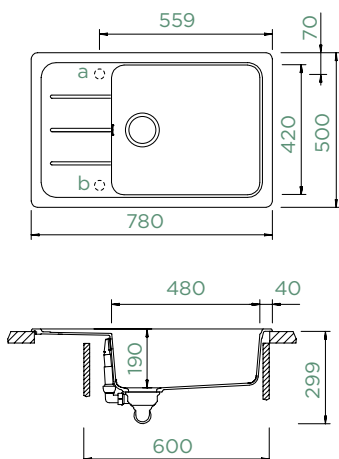
760 × 480 mm

Cut-out size undermount:

766 × 486 mm

Worktop for built-in

dishwasher: **21 mm**



Accessories:

Automatic drain kit 629871

Manual drain kit 629870

Chopping board, bamboo 629044

Chopping board Fibre-Rock 629184

Corner bowl 629733

Wastecap 628152

TOPMOUNT

UNDERMOUNT

CRISTALITE® BASIC LINE

| | |
|-------------------------|-----------------------|
| ● FOMD100LSA GNE | FOMD100LSU GNE |
| ● FOMD100LSA GON | FOMD100LSU GON |
| ● FOMD100LSA GAS | FOMD100LSU GAS |
| ● FOMD100LSA GCR | FOMD100LSU GCR |
| ● FOMD100LSA GSA | FOMD100LSU GSA |
| ● FOMD100LSA GMS | FOMD100LSU GMS |
| ○ FOMD100LSA GDW | FOMD100LSU GDW |



FORMHAUS D-100L

TOPMOUNT/UNDERMOUNT

Cabinet size: **60 cm**

Inner dimension of the bowl:

480 × 420 × 190 mm

Installation: **reversible**

Cut-out size topmount:

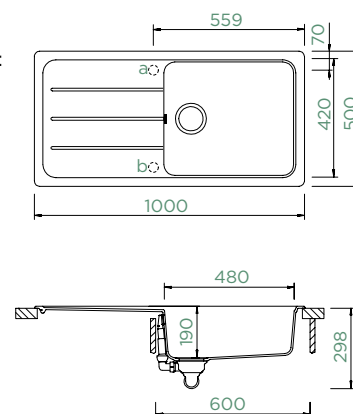
980 × 480 mm

Cut-out size undermount:

986 × 486 mm

Worktop for built-in

dishwasher: **21 mm**



Accessories:

Automatic drain kit 629871

Manual drain kit 629870

Chopping board, bamboo 629044

Chopping board Fibre-Rock 629184

Corner bowl 629733

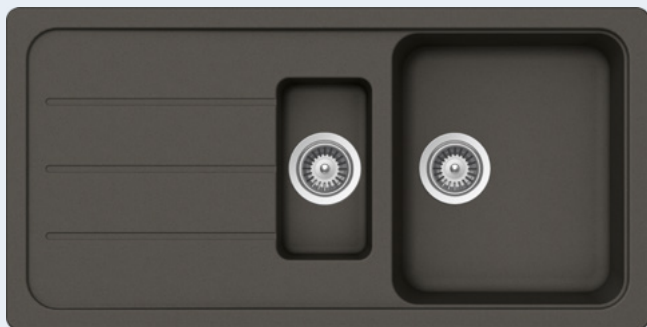
Wastecap 628152

TOPMOUNT

UNDERMOUNT

CRISTALITE® BASIC LINE

| | |
|------------------------|----------------------|
| ● FOMD100LA GNE | FOMD100LU GNE |
| ● FOMD100LA GON | FOMD100LU GON |
| ● FOMD100LA GAS | FOMD100LU GAS |
| ● FOMD100LA GCR | FOMD100LU GCR |
| ● FOMD100LA GSA | FOMD100LU GSA |
| ● FOMD100LA GMS | FOMD100LU GMS |
| ○ FOMD100LA GDW | FOMD100LU GDW |



FORMHAUS D-150L

TOPMOUNT/UNDERMOUNT

Cabinet size: **60 cm**

Inner dimension of the bowl:

360 × 420 × 190 mm

Installation: **reversible**

Cut-out size topmount:

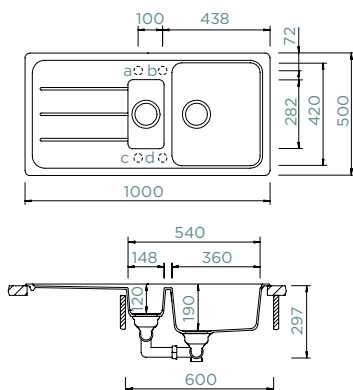
980 × 480 mm

Cut-out size undermount:

986 × 486 mm

Worktop for built-in

dishwasher: **22 mm**



Accessories:

Automatic drain kit 629877

Manual drain kit 629876

Chopping board, bamboo 629044

Chopping board Fibre-Rock 629184

Corner bowl 629733

Wastecap 628152



FORMHAUS D-200

TOPMOUNT/UNDERMOUNT

Cabinet size: **80 cm**

Inner dimension of the bowl:

350 × 420 × 190 mm

Installation: **reversible**

Cut-out size topmount:

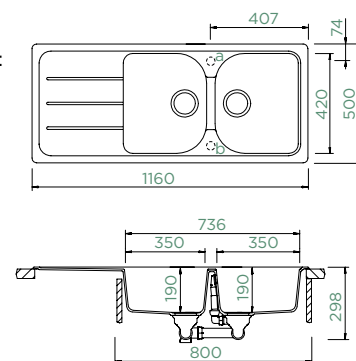
1140 × 480 mm

Cut-out size undermount:

1146 × 486 mm

Worktop for built-in

dishwasher: **21 mm**



Accessories:

Automatic drain kit 629875

Manual drain kit 629874

Chopping board, bamboo 629044

Chopping board Fibre-Rock 629184

Wastecap 628152

TOPMOUNT

UNDERMOUNT

CRISTALITE® BASIC LINE

- FOMD150LA **GNE**
- FOMD150LA **GON**
- FOMD150LA **GAS**
- FOMD150LA **GCR**
- FOMD150LA **GSA**
- FOMD150LA **GMS**
- FOMD150LA **GDW**

- FOMD150LU **GNE**
- FOMD150LU **GON**
- FOMD150LU **GAS**
- FOMD150LU **GCR**
- FOMD150LU **GSA**
- FOMD150LU **GMS**
- FOMD150LU **GDW**

TOPMOUNT

UNDERMOUNT

CRISTALITE® BASIC LINE

- FOMD200A **GNE**
- FOMD200A **GON**
- FOMD200A **GCR**
- FOMD200A **GSA**
- FOMD200A **GMS**
- FOMD200A **GDW**

- FOMD200U **GNE**
- FOMD200U **GON**
- FOMD200U **GCR**
- FOMD200U **GSA**
- FOMD200U **GMS**
- FOMD200U **GDW**

Note: This sink has no overflow, as the small half-bowl serves as an overflow. The drain hole in the half-bowl cannot be closed.



FORMHAUS N-200S

TOPMOUNT/UNDERMOUNT

Cabinet size: **80 cm**

Inner dimension of the bowl:

338 × 421 × 205 mm

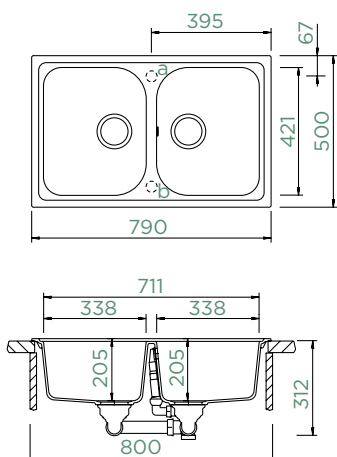
Installation: **reversible**

Cut-out size topmount:

770 × 480 mm

Cut-out size undermount:

775 × 485 mm



Accessories:

Automatic drain kit 629875

Manual drain kit 629874

Chopping board, bamboo 629044

Chopping board Fibre-Rock 629184

Wastecap 628152



FORMHAUS N-200

TOPMOUNT/UNDERMOUNT

Cabinet size: **90 cm**

Inner dimension of the bowl:

373 × 421 × 205 mm

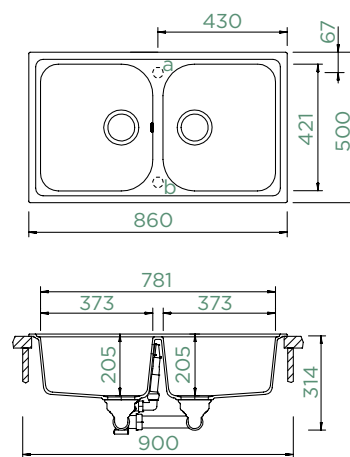
Installation: **reversible**

Cut-out size topmount:

840 × 480 mm

Cut-out size undermount:

845 × 485 mm



Accessories:

Automatic drain kit 629875

Manual drain kit 629874

Chopping board, bamboo 629044

Chopping board Fibre-Rock 629184

Wastecap 628152

TOPMOUNT

UNDERMOUNT

CRISTALITE® BASIC LINE

- FOMN200SA **GNE**
- FOMN200SA **GON**
- FOMN200SA **GCR**
- FOMN200SA **GSA**
- FOMN200SA **GMS**
- FOMN200SA **GDW**

- FOMN200SU **GNE**
- FOMN200SU **GON**
- FOMN200SU **GCR**
- FOMN200SU **GSA**
- FOMN200SU **GMS**
- FOMN200SU **GDW**

TOPMOUNT

UNDERMOUNT

CRISTALITE® BASIC LINE

- FOMN200A **GNE**
- FOMN200A **GON**
- FOMN200A **GCR**
- FOMN200A **GSA**
- FOMN200A **GMS**
- FOMN200A **GDW**

- FOMN200U **GNE**
- FOMN200U **GON**
- FOMN200U **GCR**
- FOMN200U **GSA**
- FOMN200U **GMS**
- FOMN200U **GDW**





GEMO

Tap model **Metis** in Chrome on sink model **Gemo N-100** in Nero

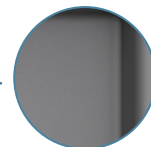


N-100

N-100Y



N-100
Integrated tap ledge
with additional holes for
ergonomic positioning of tap,
soap dispenser and
pop-up control



Soft transition
into the bowl
for easy cleaning

More accessories on p. 216

**Silicone drain
mat**



Soap dispenser



Wastecap



**Corner
dish**



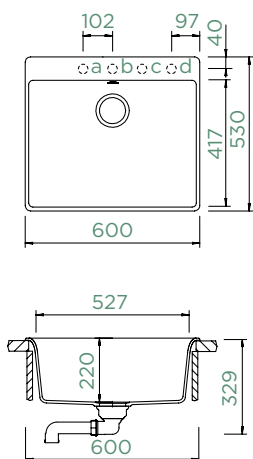
(629733)



GEMO N-100

TOPMOUNT/UNDERMOUNT

Cabinet size: **60 cm**
 Inner dimension of the bowl:
527 × 417 × 220 mm
 Installation: **fixed**
 Cut-out size topmount:
580 × 510 mm
 Cut-out size undermount:
584 × 514 mm



Wastecap 628152

Accessories:

- Automatic drain kit 410061CHR
- Manual drain kit 410060CHR
- Silicone Drain Mat 629188
- Silicone Drain Mat Short 629189
- Corner bowl 629733
- Comfopush, EDM 420016EDM
- Comfopush, CHR 420016CHR
- Amur 629014
- Samo CHR 629169CHR
- Samo EDM 629169EDM
- Samo WGO 629169WGO
- Samo COP 629169COP
- Samo GUM 629169GUM
- Samo PUR 629169S

TOPMOUNT

UNDERMOUNT

CRISTALITE® BASIC LINE

- GEMN100A GNE
- GEMN100A GON
- GEMN100A GAS
- GEMN100A GMC
- GEMN100A GBT
- GEMN100A GCR
- GEMN100A GSA
- GEMN100A GMS
- GEMN100A GEV
- GEMN100A GDW

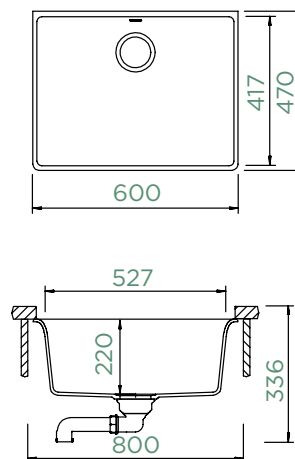
- GEMN100U GNE
- GEMN100U GON
- GEMN100U GAS
- GEMN100U GMC
- GEMN100U GBT
- GEMN100U GCR
- GEMN100U GSA
- GEMN100U GMS
- GEMN100U GEV
- GEMN100U GDW



GEMO N-100Y

UNDERMOUNT

Cabinet size: **80 cm**
 Inner dimension of the bowl:
527 × 417 × 220 mm
 Installation: **fixed**
 Cut-out size undermount:
584 × 446 mm



Accessories:

- Automatic drain kit 410061CHR
- Manual drain kit 410060CHR
- Silicone Drain Mat 629188
- Silicone Drain Mat Short 629189
- Corner bowl 629733
- Comfopush, EDM 420016EDM
- Comfopush, CHR 420016CHR
- Amur 629014
- Wastecap 628152

UNDERMOUNT

CRISTALITE® BASIC LINE

- GEMN100YU GNE
- GEMN100YU GON
- GEMN100YU GAS
- GEMN100YU GMC
- GEMN100YU GBT
- GEMN100YU GCR
- GEMN100YU GSA
- GEMN100YU GMS
- GEMN100YU GEV
- GEMN100YU GDW



GENIUS

Tap model **Fonos** in Chrome on sink model **Genius C-150** in Cromia



More accessories on p. 216

Wastecap



Comfopush





GENIUS C-150

TOPMOUNT/UNDERMOUNT

Cabinet size: **90 x 90 cm**

Inner dimension of the bowl:

388 x 406 x 195 mm

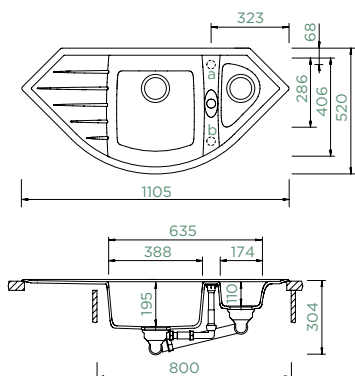
Installation: **bowl right**

Cut-out size topmount:

according to template

Cut-out size undermount:

according to template



Accessories:

Automatic drain kit 410089CHR

Manual drain kit 410088CHR

Comfopush, EDM 420016EDM

Comfopush, CHR 420016CHR

Wastecap 628152

TOPMOUNT

UNDERMOUNT

CRISTALITE® BASIC LINE

- GENC150A GNE
- GENC150A GON
- GENC150A GAS
- GENC150A GCR

- GENC150U GNE
- GENC150U GON
- GENC150U GAS
- GENC150U GCR

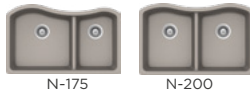


Note: The indicated cabinet width is for installation in a corner cupboard. If the sink is not being installed in a corner cupboard, an 80 cm base cabinet is required.



IMPULSE

Tap model **Conos** in Solid Stainless Steel on sink model **Impulse N-200** in Alpina

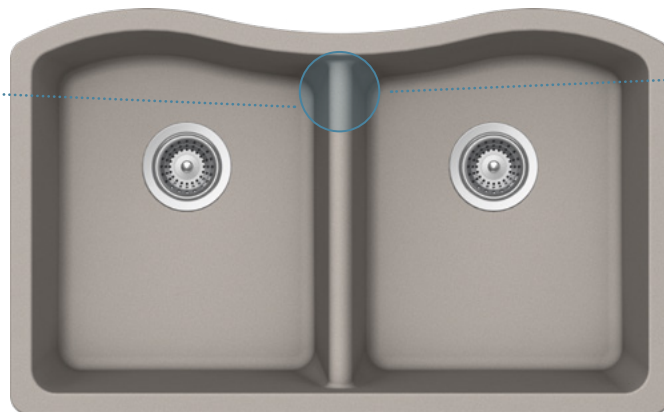


N-175

N-200



Recessed separator



Smooth contours and smooth corners that are even easier to clean

Deep bowl
e.g. for filling tall vases or pots & pans



254 mm

More accessories on p. 216

Silicone drain mat



Wastecap





IMPULSE N-175

UNDERMOUNT

Cabinet size: **90 cm**

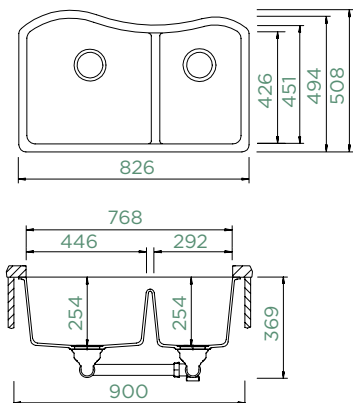
Inner dimension of the bowl:

446 × 451 × 254 mm

Installation: **fixed**

Cut-out size undermount:

768 × 451 mm



Accessories:

Automatic drain kit 410059CHR

Manual drain kit 410058CHR

Silicone Drain Mat 629188

Silicone Drain Mat Short 629189

Wastecap 628152

UNDERMOUNT

CRISTALITE® BASIC LINE

- AHSN175U GNE
- AHSN175U GON
- AHSN175U GAS
- AHSN175U GMC
- AHSN175U GBT
- IMPN175U GMS
- AHSN175U GEV
- IMPN175U GDW



IMPULSE N-200

UNDERMOUNT

Cabinet size: **90 cm**

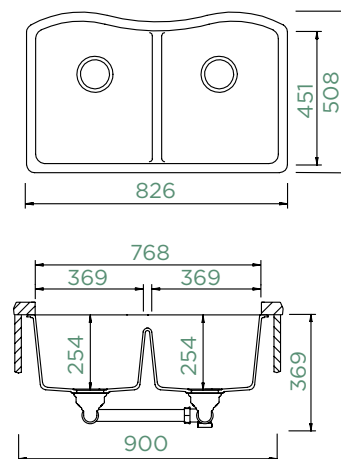
Inner dimension of the bowl:

369 × 451 × 254 mm

Installation: **fixed**

Cut-out size undermount:

768 × 451 mm



Accessories:

Automatic drain kit 410059CHR

Manual drain kit 410058CHR

Silicone Drain Mat 629188

Silicone Drain Mat Short 629189

Wastecap 628152

UNDERMOUNT

CRISTALITE® BASIC LINE

- AHSN200U GNE
- AHSN200U GON
- AHSN200U GAS
- AHSN200U GMC
- AHSN200U GBT
- IMPN200U GMS
- AHSN200U GEV
- IMPN200U GDW

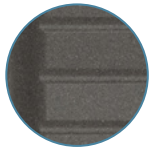


LIMA

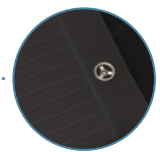
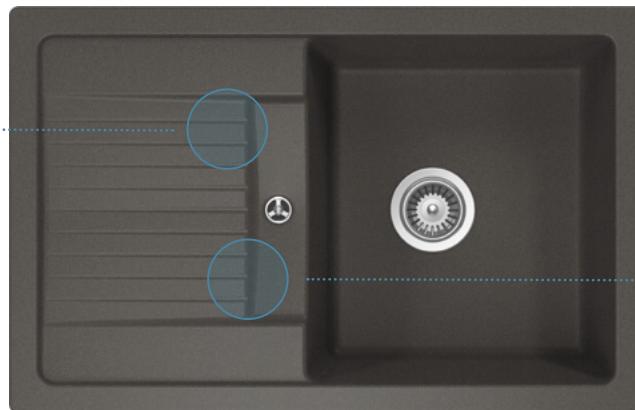
Tap model **Metis** in Chrome on sink model **Lima D-100S** in Onyx



D-100S



Very narrow drainer grooves
easy-to-clean grooves support the drainage of water



Purist design
smooth finish meets textured draining board

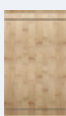
More accessories on p. 216

Fibre-Rock chopping board



(629184)

Wooden chopping board



(629044)

Wastecap



Corner dish



(629733)



LIMA D-100S

TOPMOUNT/UNDERMOUNT



Cabinet size: **50 cm**

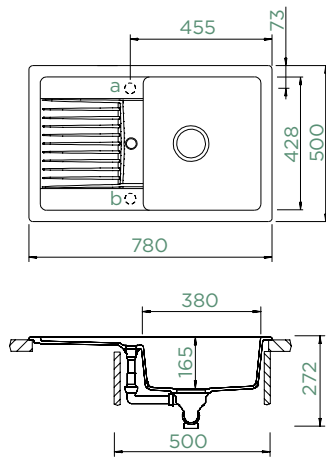
Inner dimension of the bowl:
380 × 428 × 165 mm

Installation: **reversible**

Cut-out size topmount:
760 × 480 mm

Cut-out size undermount:
715 × 436 mm

Worktop for built-in
dishwasher: **27 mm**



Accessories:

- Automatic drain kit 629899
- Manual drain kit 629898
- Chopping board, bamboo 629044
- Chopping board Fibre-Rock 629184
- Corner bowl 629733
- Wastecap 628152

TOPMOUNT

UNDERMOUNT

CRISTALITE® BASIC LINE

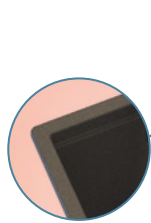
- LIMD100SA **GNE**
- LIMD100SA **GON**
- LIMD100SA **GAS**
- LIMD100SA **GCR**
- LIMD100SA **GSA**
- LIMD100SA **GMS**
- LIMD100SA **GDW**

- LIMD100SU **GNE**
- LIMD100SU **GON**
- LIMD100SU **GAS**
- LIMD100SU **GCR**
- LIMD100SU **GSA**
- LIMD100SU **GMS**
- LIMD100SU **GDW**

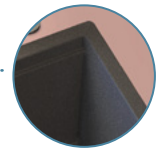


LAHTI

Tap model **Epos** in Chrome on sink model **Lahti N-100XL** in Asphalt



Tight corners - modern look



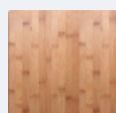
Integrated lip for hanging and laying multifunctional accessories



Two installation options
Same base cabinet for inset and undermount installation

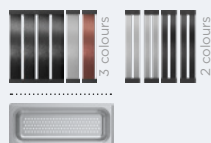
More accessories on p. 216

Chopping board



(629158)

Drain rack, Gastronorm



3 colours

2 colours

Wastecap



Corner dish



(629733)

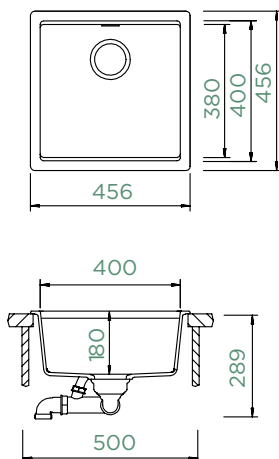


LAHTI N-100

TOPMOUNT/UNDERMOUNT

Cabinet size: **50 cm**
 Inner dimension of the bowl:
400 × 400 × 180 mm

Installation: **fixed**
 Cut-out size topmount:
442 × 442 mm
 Cut-out size undermount:
400 × 400 mm



Accessories:

- Automatic drain kit 410055CHR
- Manual drain kit 410054CHR
- Silicone Drain Mat 629188
- Silicone Drain Mat Short 629189
- Design Drip Rack 629726S
- Design Drip Rack 629726EDM
- Design Drip Rack 629726COP
- 2x2 Design Drip Rack 629738S
- 2x2 Design Drip Rack 629738EDM
- Carrier 629146
- Gastronorm Container GN 2/8 629060
- Gastronorm Container GN 2/8 629061
- Gastronorm Container GN 2/3 629063
- Strainer bowl 629051SH

- Corner bowl 629733
- Comfopush, EDM 420016EDM
- Comfopush, CHR 420016CHR
- Amur 629014
- Wastecap 628152

TOPMOUNT

UNDERMOUNT

CRISTALITE® BASIC LINE

- LATN100A GNE
- LATN100A GON
- LATN100A GAS
- LATN100A GCR
- LATN100A GDW

- LATN100U GNE
- LATN100U GON
- LATN100U GAS
- LATN100U GCR
- LATN100U GDW

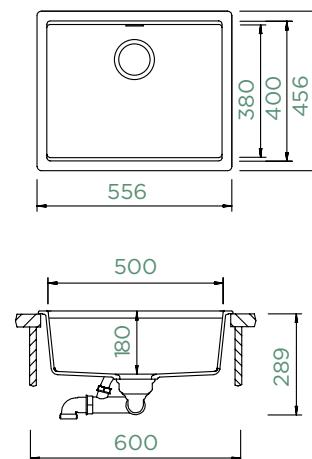


LAHTI N-100L

TOPMOUNT/UNDERMOUNT

Cabinet size: **60 cm**
 Inner dimension of the bowl:
500 × 400 × 180 mm

Installation: **fixed**
 Cut-out size topmount:
542 × 442 mm
 Cut-out size undermount:
500 × 400 mm



Accessories:

- Automatic drain kit 410055CHR
- Manual drain kit 410054CHR
- Chopping board, wood 629158
- Silicone Drain Mat 629188
- Silicone Drain Mat Short 629189
- Design Drip Rack 629726S
- Design Drip Rack 629726EDM
- Design Drip Rack 629726COP
- 2x2 Design Drip Rack 629738S
- 2x2 Design Drip Rack 629738EDM
- Carrier 629146
- Gastronorm Container GN 2/8 629060
- Gastronorm Container GN 2/8 629061
- Gastronorm Container GN 2/3 629063

- Strainer bowl 629051SH
- Corner bowl 629733
- Comfopush, EDM 420016EDM
- Comfopush, CHR 420016CHR
- Amur 629014
- Wastecap 628152

TOPMOUNT

UNDERMOUNT

CRISTALITE® BASIC LINE

- LATN100LA GNE
- LATN100LA GON
- LATN100LA GAS
- LATN100LA GCR
- LATN100LA GDW

- LATN100LU GNE
- LATN100LU GON
- LATN100LU GAS
- LATN100LU GCR
- LATN100LU GDW



LAHTI N-100XL

TOPMOUNT/UNDERMOUNT

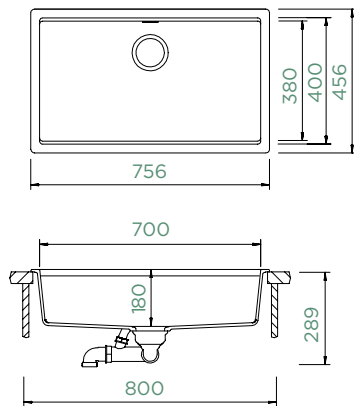
Cabinet size: **80 cm**

Inner dimension of the bowl:
700 × 400 × 180 mm

Installation: **fixed**

Cut-out size topmount:
742 × 442 mm

Cut-out size undermount:
700 × 400 mm



Accessories:

Automatic drain kit 410055CHR
Manual drain kit 410054CHR
Chopping board, wood 629158
Silicone Drain Mat 629188
Silicone Drain Mat Short 629189
Design Drip Rack 629726S
Design Drip Rack 629726EDM
Design Drip Rack 629726COP
2x2 Design Drip Rack 629738S
2x2 Design Drip Rack 629738EDM
Carrier 629146
Gastronorm Container GN 2/8 629060
Gastronorm Container GN 2/8 629061
Gastronorm Container GN 2/3 629063

Strainer bowl 629051SH
Corner bowl 629733
Comfopush, EDM 420016EDM
Comfopush, CHR 420016CHR
Amur 629014
Wastecap 628152

TOPMOUNT

UNDERMOUNT

CRISTALITE® BASIC LINE

| | |
|-------------------------|-----------------------|
| ● LATN100XLA GNE | LATN100XLU GNE |
| ● LATN100XLA GON | LATN100XLU GON |
| ● LATN100XLA GAS | LATN100XLU GAS |
| ● LATN100XLA GCR | LATN100XLU GCR |
| ○ LATN100XLA GDW | LATN100XLU GDW |



LITHOS

Tap model **Metis** in Chrome on sink model **Lithos D-100L** in Alpina

Wide choice of designs



Extra deep and wide drainer grooves

All-round rim keeps water and dirt contained within the sink area

Deep bowl
e.g. for filling tall vases or pots & pans
205 mm

Smooth corners

More accessories on p. 216

Silicone drain mat



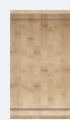
N-200S, N-200

Fibre-Rock chopping board



(629184)

Wooden chopping board



(629044)

Wastecap





LITHOS D-100

TOPMOUNT/UNDERMOUNT

Cabinet size: **45 cm**

Inner dimension of the bowl:

347 × 421 × 205 mm

Installation: **reversible**

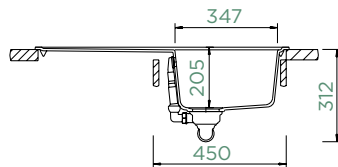
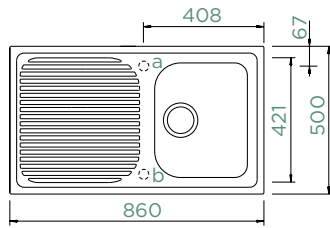
Cut-out size topmount:

840 × 480 mm

Cut-out size undermount:

845 × 485 mm

Worktop for built-in
dishwasher: **27 mm**



Accessories:

Automatic drain kit 629871

Manual drain kit 629870

Chopping board, bamboo 629044

Chopping board Fibre-Rock 629184

Wastecap 628152

TOPMOUNT

UNDERMOUNT

CRISTALITE® BASIC LINE

- LITD100A GNE
- LITD100A GON
- LITD100A GCR
- LITD100A GSA
- LITD100A GMS
- LITD100A GDW

- LITD100U GNE
- LITD100U GON
- LITD100U GCR
- LITD100U GSA
- LITD100U GMS
- LITD100U GDW



LITHOS D-100L

TOPMOUNT/UNDERMOUNT

Cabinet size: **60 cm**

Inner dimension of the bowl:

480 × 420 × 220 mm

Installation: **reversible**

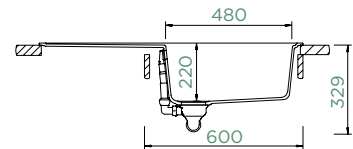
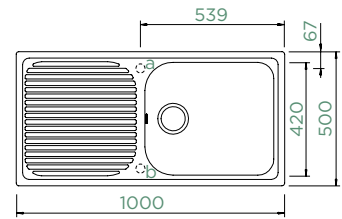
Cut-out size topmount:

980 × 480 mm

Cut-out size undermount:

985 × 485 mm

Worktop for built-in
dishwasher: **12 mm**



Accessories:

Automatic drain kit 629871

Manual drain kit 629870

Chopping board, bamboo 629044

Chopping board Fibre-Rock 629184

Wastecap 628152

TOPMOUNT

UNDERMOUNT

CRISTALITE® BASIC LINE

- LITD100LA GNE
- LITD100LA GON
- LITD100LA GCR
- LITD100LA GSA
- LITD100LA GMS
- LITD100LA GDW

- LITD100LU GNE
- LITD100LU GON
- LITD100LU GCR
- LITD100LU GSA
- LITD100LU GMS
- LITD100LU GDW



LITHOS D-150

TOPMOUNT/UNDERMOUNT

Cabinet size: **60 cm**

Inner dimension of the bowl:

340 × 421 × 205 mm

Installation: **reversible**

Cut-out size topmount:

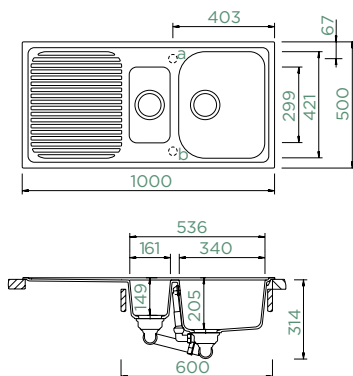
980 × 480 mm

Cut-out size undermount:

985 × 485 mm

Worktop for built-in

dishwasher: **27 mm**



Accessories:

Automatic drain kit 629875

Manual drain kit 629874

Chopping board, bamboo 629044

Chopping board Fibre-Rock 629184

Wastecap 628152

TOPMOUNT

UNDERMOUNT

CRISTALITE® BASIC LINE

- LITD150A GNE
- LITD150A GON
- LITD150A GCR
- LITD150A GSA
- LITD150A GMS
- LITD150A GDW

- LITD150U GNE
- LITD150U GON
- LITD150U GCR
- LITD150U GSA
- LITD150U GMS
- LITD150U GDW



LITHOS D-200

TOPMOUNT/UNDERMOUNT

Cabinet size: **80 cm**

Inner dimension of the bowl:

340 × 421 × 205 mm

Installation: **reversible**

Cut-out size topmount:

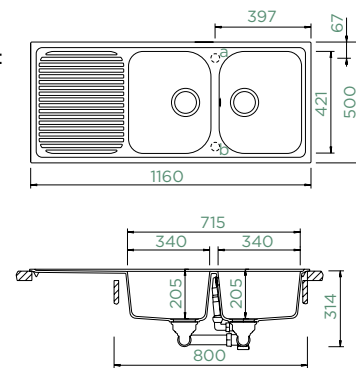
1140 × 480 mm

Cut-out size undermount:

1145 × 485 mm

Worktop for built-in

dishwasher: **27 mm**



Accessories:

Automatic drain kit 629875

Manual drain kit 629874

Chopping board, bamboo 629044

Chopping board Fibre-Rock 629184

Wastecap 628152

TOPMOUNT

UNDERMOUNT

CRISTALITE® BASIC LINE

- LITD200A GNE
- LITD200A GON
- LITD200A GCR
- LITD200A GSA
- LITD200A GMS
- LITD200A GDW

- LITD200U GNE
- LITD200U GON
- LITD200U GCR
- LITD200U GSA
- LITD200U GMS
- LITD200U GDW



LITHOS N-200S

TOPMOUNT/UNDERMOUNT

Cabinet size: **80 cm**

Inner dimension of the bowl:

338 × 421 × 205 mm

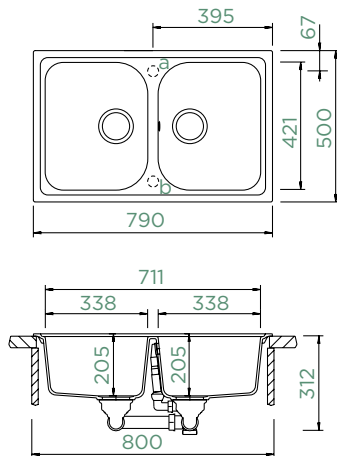
Installation: **reversible**

Cut-out size topmount:

770 × 480 mm

Cut-out size undermount:

775 × 485 mm



Accessories:

Automatic drain kit 629875

Manual drain kit 629874

Chopping board, bamboo 629044

Chopping board Fibre-Rock 629184

Wastecap 628152

TOPMOUNT

UNDERMOUNT

CRISTALITE® BASIC LINE

| | |
|-----------------|---------------|
| ● LITN200SA GNE | LITN200SU GNE |
| ● LITN200SA GON | LITN200SU GON |
| ● LITN200SA GCR | LITN200SU GCR |
| ● LITN200SA GSA | LITN200SU GSA |
| ● LITN200SA GMS | LITN200SU GMS |
| ○ LITN200SA GDW | LITN200SU GDW |



LITHOS N-200

TOPMOUNT/UNDERMOUNT

Cabinet size: **90 cm**

Inner dimension of the bowl:

373 × 421 × 205 mm

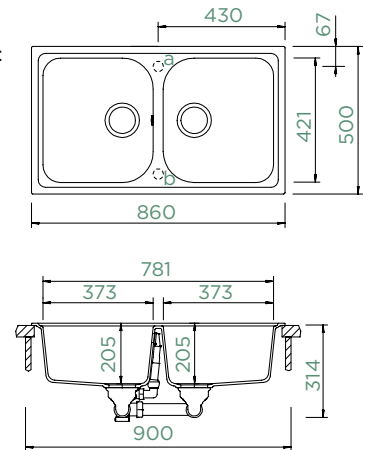
Installation: **reversible**

Cut-out size topmount:

840 × 480 mm

Cut-out size undermount:

845 × 485 mm



Accessories:

Automatic drain kit 629875

Manual drain kit 629874

Chopping board, bamboo 629044

Chopping board Fibre-Rock 629184

Wastecap 628152

TOPMOUNT

UNDERMOUNT

CRISTALITE® BASIC LINE

| | |
|----------------|--------------|
| ● LITN200A GNE | LITN200U GNE |
| ● LITN200A GON | LITN200U GON |
| ● LITN200A GCR | LITN200U GCR |
| ● LITN200A GSA | LITN200U GSA |
| ● LITN200A GMS | LITN200U GMS |
| ○ LITN200A GDW | LITN200U GDW |



MADISON

Tap model **Altos** in Solid Stainless Steel on sink model **Madison N-175** in Concrete



N-175, N-200
Integrated tap ledge
 with additional holes
 for ergonomic positioning of tap,
 soap dispenser and
 pop-up control



Deep bowl
 e.g. for filling tall vases or pots & pans



More accessories on p. 216

Silicone drain mat



Wastecap



Corner dish



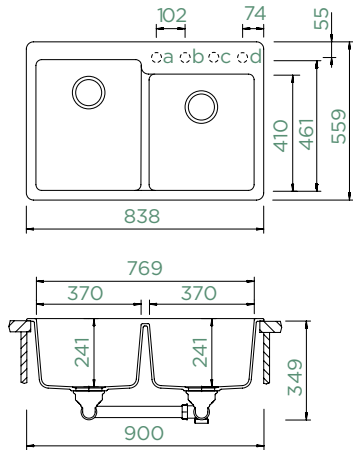
(629733)



MADISON N-175

TOPMOUNT/UNDERMOUNT

Cabinet size: **90 cm**
 Inner dimension of the bowl:
370 × 461 × 241 mm
 Installation: **fixed**
 Cut-out size topmount:
818 × 539 mm
 Cut-out size undermount:
Please use DXF data



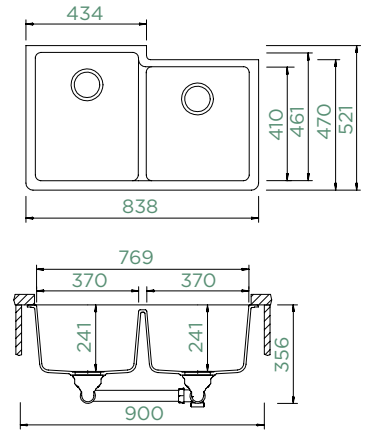
Accessories:
 Automatic drain kit 410063CHR
 Manual drain kit 410062CHR
 Silicone Drain Mat 629188
 Silicone Drain Mat Short 629189
 Corner bowl 629733
 Wastecap 628152



MADISON N-175Y

UNDERMOUNT

Cabinet size: **90 cm**
 Inner dimension of the bowl:
370 × 461 × 241 mm
 Installation: **fixed**
 Cut-out size undermount:
Please use DXF data



Accessories:
 Automatic drain kit 410063CHR
 Manual drain kit 410062CHR
 Silicone Drain Mat 629188
 Silicone Drain Mat Short 629189
 Corner bowl 629733
 Wastecap 628152

| TOPMOUNT | UNDERMOUNT |
|-------------------------------|--------------|
| CRISTALITE® BASIC LINE | |
| ● MDNN175A GNE | MDNN175U GNE |
| ● MDNN175A GON | MDNN175U GON |
| ● MDNN175A GAS | MDNN175U GAS |
| ● MDNN175A GMC | MDNN175U GMC |
| ● MDNN175A GBT | MDNN175U GBT |
| ● MDNN175A GCR | MDNN175U GCR |
| ● MDNN175A GSA | MDNN175U GSA |
| ● MDNN175A GMS | MDNN175U GMS |
| ● MDNN175A GEV | MDNN175U GEV |
| ○ MDNN175A GDW | MDNN175U GDW |

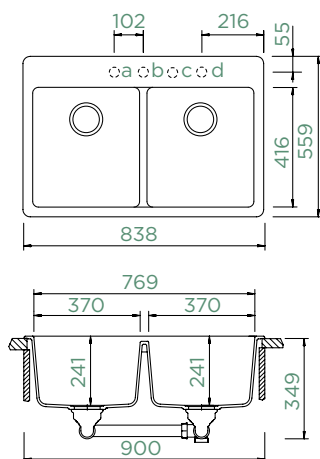
| UNDERMOUNT |
|-------------------------------|
| CRISTALITE® BASIC LINE |
| ● MDNN175YU GNE |
| ● MDNN175YU GON |
| ● MDNN175YU GAS |
| ● MDNN175YU GMC |
| ● MDNN175YU GBT |
| ● MDNN175YU GCR |
| ● MDNN175YU GSA |
| ● MDNN175YU GMS |
| ● MDNN175YU GEV |
| ○ MDNN175YU GDW |



MADISON N-200

TOPMOUNT/UNDERMOUNT

Cabinet size: **90 cm**
 Inner dimension of the bowl:
370 × 416 × 241 mm
 Installation: **fixed**
 Cut-out size topmount:
818 × 539 mm
 Cut-out size undermount:
Please use DXF data



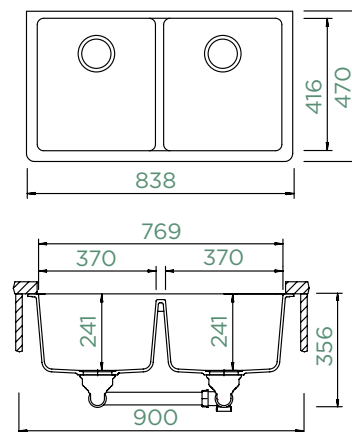
Accessories:
 Automatic drain kit 410063CHR
 Manual drain kit 410062CHR
 Silicone Drain Mat 629188
 Silicone Drain Mat Short 629189
 Corner bowl 629733
 Wastecap 628152



MADISON N-200Y

UNDERMOUNT

Cabinet size: **90 cm**
 Inner dimension of the bowl:
370 × 416 × 241 mm
 Installation: **fixed**
 Cut-out size undermount:
Please use DXF data



Accessories:
 Automatic drain kit 410063CHR
 Manual drain kit 410062CHR
 Silicone Drain Mat 629188
 Silicone Drain Mat Short 629189
 Corner bowl 629733
 Wastecap 628152

TOPMOUNT

UNDERMOUNT

CRISTALITE® BASIC LINE

- MDNN200A GNE
- MDNN200A GON
- MDNN200A GAS
- MDNN200A GMC
- MDNN200A GBT
- MDNN200A GCR
- MDNN200A GSA
- MDNN200A GMS
- MDNN200A GEV
- MDNN200A GDW

- MDNN200U GNE
- MDNN200U GON
- MDNN200U GAS
- MDNN200U GMC
- MDNN200U GBT
- MDNN200U GCR
- MDNN200U GSA
- MDNN200U GMS
- MDNN200U GEV
- MDNN200U GDW

UNDERMOUNT

CRISTALITE® BASIC LINE

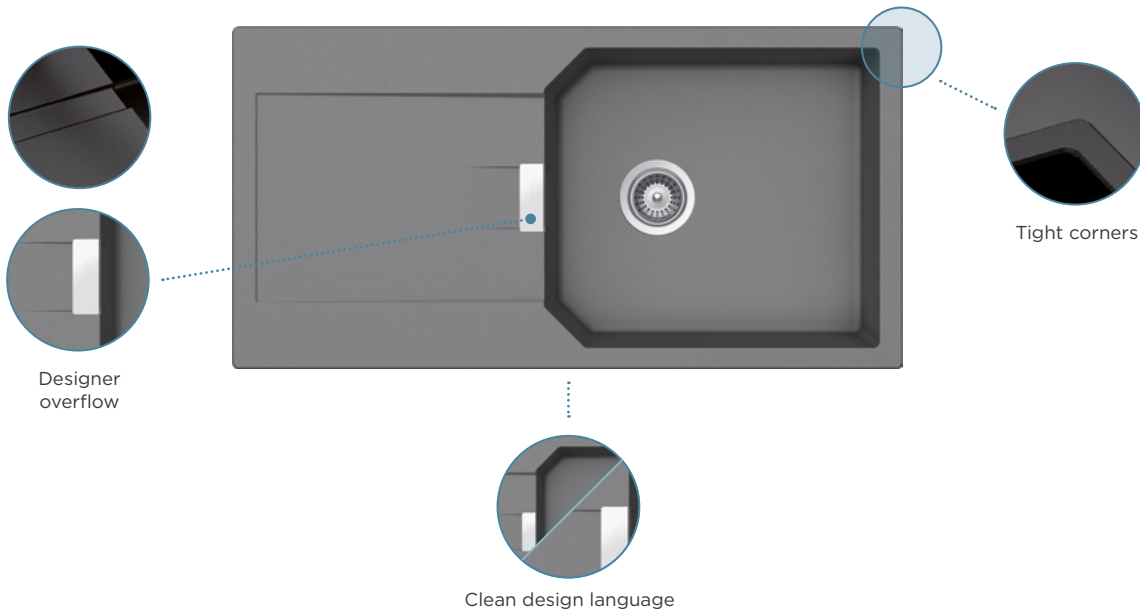
- MDNN200YU GNE
- MDNN200YU GON
- MDNN200YU GAS
- MDNN200YU GMC
- MDNN200YU GBT
- MDNN200YU GCR
- MDNN200YU GSA
- MDNN200YU GMS
- MDNN200YU GEV
- MDNN200YU GDW



MANHATTAN

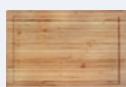
Tap model **SC-520** in Asphalt on sink model **Manhattan D-100S** in Asphalt

Wide choice of designs



More accessories on p. 216

Wooden chopping board



D-100XS, D-100S

Soap dispenser



Wastecap



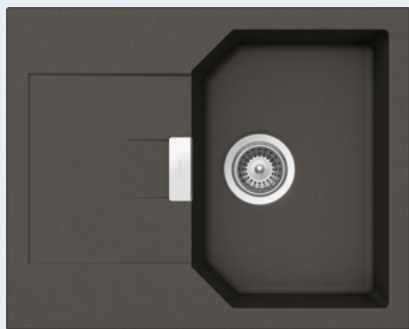
Comfopush



Corner dish



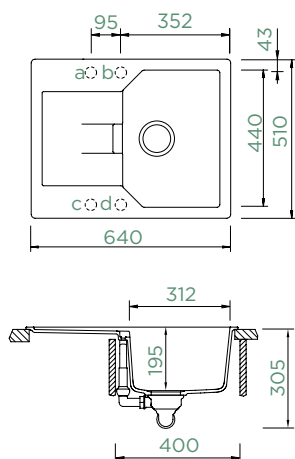
(629733)
Not R-100



MANHATTAN D-100XS

TOPMOUNT/UNDERMOUNT

Cabinet size: **40 cm**
 Inner dimension of the bowl:
312 × 440 × 195 mm
 Installation: **reversible**
 Cut-out size topmount:
620 × 490 mm
 Cut-out size undermount:
624 × 494 mm
 Worktop for built-in
 dishwasher: **26 mm**



Accessories:
 Automatic drain kit 410073CHR
 Manual drain kit 410072CHR
 Chopping board, bamboo 629052
 Corner bowl 629733
 Comfopush, EDM 420016EDM
 Comfopush, CHR 420016CHR
 Amur 629014
 Samo CHR 629169CHR
 Samo EDM 629169EDM
 Samo WGO 629169WGO
 Samo COP 629169COP
 Samo GUM 629169GUM
 Samo PUR 629169S
 LED-light 629024/R

LED-light 629024/L
 Wastecap 628152

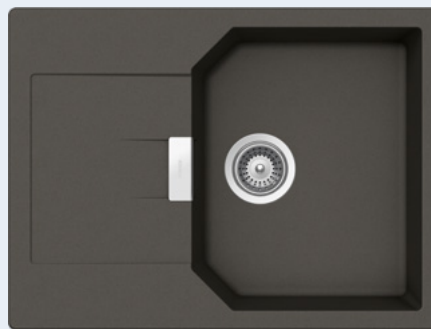
TOPMOUNT

UNDERMOUNT

CRISTALITE® BASIC LINE

- MAND100XSA GNE
- MAND100XSA GON
- MAND100XSA GAS
- MAND100XSA GMC
- MAND100XSA GBT
- MAND100XSA GCR
- MAND100XSA GSA
- MAND100XSA GMS
- MAND100XSA GEV
- MAND100XSA GDW

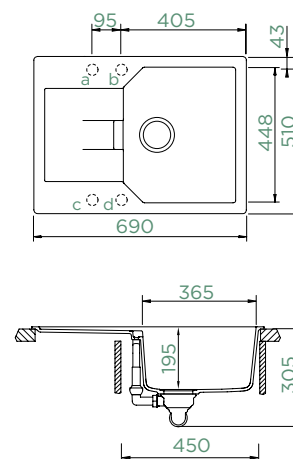
- MAND100XSU GNE
- MAND100XSU GON
- MAND100XSU GAS
- MAND100XSU GMC
- MAND100XSU GBT
- MAND100XSU GCR
- MAND100XSU GSA
- MAND100XSU GMS
- MAND100XSU GEV
- MAND100XSU GDW



MANHATTAN D-100S

TOPMOUNT/UNDERMOUNT

Cabinet size: **45 cm**
 Inner dimension of the bowl:
365 × 448 × 195 mm
 Installation: **reversible**
 Cut-out size topmount:
670 × 490 mm
 Cut-out size undermount:
674 × 494 mm
 Worktop for built-in
 dishwasher: **26 mm**



Accessories:
 Automatic drain kit 410073CHR
 Manual drain kit 410072CHR
 Chopping board, bamboo 629052
 Corner bowl 629733
 Comfopush, EDM 420016EDM
 Comfopush, CHR 420016CHR
 Amur 629014
 Samo CHR 629169CHR
 Samo EDM 629169EDM
 Samo WGO 629169WGO
 Samo COP 629169COP
 Samo GUM 629169GUM
 Samo PUR 629169S
 LED-light 629024/R

LED-light 629024/L
 Wastecap 628152

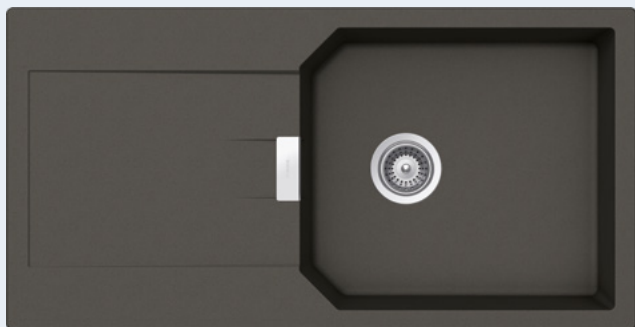
TOPMOUNT

UNDERMOUNT

CRISTALITE® BASIC LINE

- MAND100SA GNE
- MAND100SA GON
- MAND100SA GAS
- MAND100SA GMC
- MAND100SA GBT
- MAND100SA GCR
- MAND100SA GSA
- MAND100SA GMS
- MAND100SA GEV
- MAND100SA GDW

- MAND100SU GNE
- MAND100SU GON
- MAND100SU GAS
- MAND100SU GMC
- MAND100SU GBT
- MAND100SU GCR
- MAND100SU GSA
- MAND100SU GMS
- MAND100SU GEV
- MAND100SU GDW



MANHATTAN D-100L

TOPMOUNT/UNDERMOUNT

Cabinet size: **60 cm**

Inner dimension of the bowl:

500 × 446 × 195 mm

Installation: **reversible**

Cut-out size topmount:

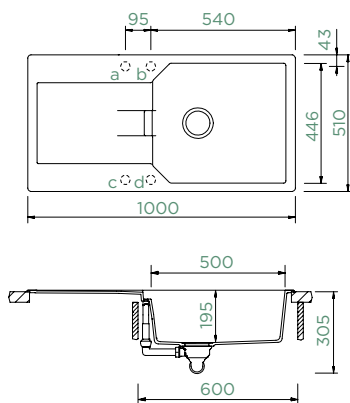
980 × 490 mm

Cut-out size undermount:

984 × 494 mm

Worktop for built-in

dishwasher: **21 mm**



Wastecap 628152

Accessories:

Automatic drain kit 410073CHR

Manual drain kit 410072CHR

Corner bowl 629733

Comfopush, EDM 420016EDM

Comfopush, CHR 420016CHR

Amur 629014

Samo CHR 629169CHR

Samo EDM 629169EDM

Samo WGO 629169WGO

Samo COP 629169COP

Samo GUM 629169GUM

Samo PUR 629169S

LED-light 629024/R

LED-light 629024/L

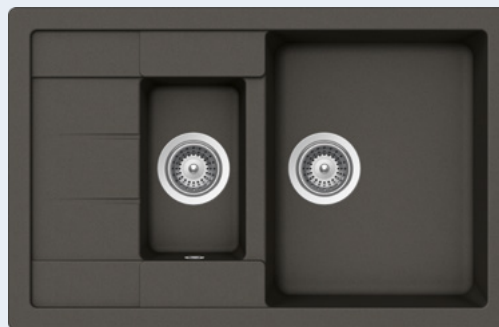
TOPMOUNT

UNDERMOUNT

CRISTALITE® BASIC LINE

- MAND100LA GNE
- MAND100LA GON
- MAND100LA GAS
- MAND100LA GMC
- MAND100LA GBT
- MAND100LA GCR
- MAND100LA GSA
- MAND100LA GMS
- MAND100LA GEV
- MAND100LA GDW

- MAND100LU GNE
- MAND100LU GON
- MAND100LU GAS
- MAND100LU GMC
- MAND100LU GBT
- MAND100LU GCR
- MAND100LU GSA
- MAND100LU GMS
- MAND100LU GEV
- MAND100LU GDW



MANHATTAN D-150S

TOPMOUNT/UNDERMOUNT

Cabinet size: **60 cm**

Inner dimension of the bowl:

344 × 430 × 200 mm

Installation: **reversible**

Cut-out size topmount:

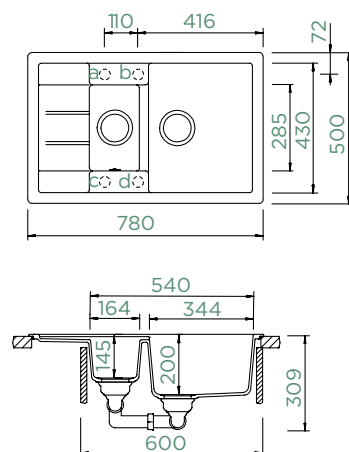
760 × 480 mm

Cut-out size undermount:

764 × 484 mm

Worktop for built-in

dishwasher: **21 mm**



Wastecap 628152

Accessories:

Automatic drain kit 410063CHR

Manual drain kit 410062CHR

Chopping board, bamboo 629044

Chopping board Fibre-Rock 629184

Corner bowl 629733

Comfopush, EDM 420016EDM

Comfopush, CHR 420016CHR

Amur 629014

Samo CHR 629169CHR

Samo EDM 629169EDM

Samo WGO 629169WGO

Samo COP 629169COP

Samo GUM 629169GUM

Samo PUR 629169S

TOPMOUNT

UNDERMOUNT

CRISTALITE® BASIC LINE

- MAND150SA GNE
- MAND150SA GON
- MAND150SA GAS
- MAND150SA GMC
- MAND150SA GBT
- MAND150SA GCR
- MAND150SA GSA
- MAND150SA GMS
- MAND150SA GEV
- MAND150SA GDW

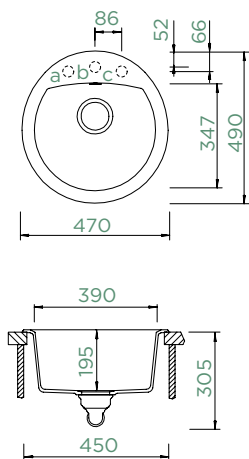
- MAND150SU GNE
- MAND150SU GON
- MAND150SU GAS
- MAND150SU GMC
- MAND150SU GBT
- MAND150SU GCR
- MAND150SU GSA
- MAND150SU GMS
- MAND150SU GEV
- MAND150SU GDW



MANHATTAN R-100

TOPMOUNT/UNDERMOUNT

Cabinet size: **45 cm**
 Inner dimension of the bowl:
390 × 347 × 195 mm
 Installation: **fixed**
 Cut-out size topmount:
according to template
 Cut-out size undermount:
according to template



- Accessories:**
 Automatic drain kit 410061CHR
 Manual drain kit 410060CHR
 Comfopush, EDM 420016EDM
 Comfopush, CHR 420016CHR
 Amur 629014
 Samo CHR 629169CHR
 Samo EDM 629169EDM
 Samo WGO 629169WGO
 Samo COP 629169COP
 Samo GUM 629169GUM
 Samo PUR 629169S
 Wastecap 628152

TOPMOUNT

UNDERMOUNT

CRISTALITE® BASIC LINE

- MANR100A GNE
- MANR100A GON
- MANR100A GAS
- MANR100A GMC
- MANR100A GBT
- MANR100A GCR
- MANR100A GSA
- MANR100A GMS
- MANR100A GEV
- MANR100A GDW

- MANR100U GNE
- MANR100U GON
- MANR100U GAS
- MANR100U GMC
- MANR100U GBT
- MANR100U GCR
- MANR100U GSA
- MANR100U GMS
- MANR100U GEV
- MANR100U GDW





NEMO

Tap model **Daja** in Chrome on sink model **Nemo N-100S** in Onyx



N-100S

N-100



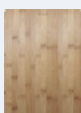
Integrated tap ledge
with additional holes
for ergonomic positioning of
tap, soap dispenser and pop-up
control



Integrated lip
for hanging and
laying multifunctional
accessories

More accessories on p. 216

Chopping board



(629159)

Functional bowl



(629017)

Gastronorm container



Soap dispenser



Wastecap



Comfopush



Corner dish



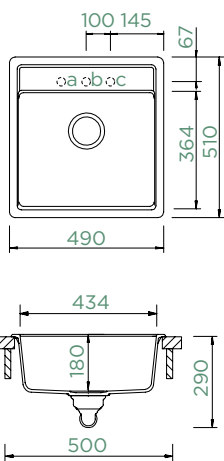
(629733)



NEMO N-100S

TOPMOUNT/UNDERMOUNT

Cabinet size: **50 cm**
 Inner dimension of the bowl:
434 × 364 × 180 mm
 Installation: **fixed**
 Cut-out size topmount:
470 × 490 mm
 Cut-out size undermount:
434 × 454 mm



Accessories:

- Automatic drain kit 410061CHR
- Manual drain kit 410060CHR
- Chopping board, bamboo 629159
- Silicone Drain Mat 629188
- Silicone Drain Mat Short 629189
- Strainer bowl 629017
- Corner bowl 629733
- Carrier 629151
- Gastronorm Container GN 2/8 629060
- Gastronorm Container GN 2/8 629061
- Gastronorm Container GN 2/3 629063
- Comfopush, EDM 420016EDM
- Comfopush, CHR 420016CHR
- Amur 629014

- Samo CHR 629169CHR
- Samo EDM 629169EDM
- Samo WGO 629169WGO
- Samo COP 629169COP
- Samo GUM 629169GUM
- Samo PUR 629169S
- Wastecap 628152

TOPMOUNT

UNDERMOUNT

CRISTALITE® BASIC LINE

- NEMN100SA GNE
- NEMN100SA GON
- NEMN100SA GAS
- NEMN100SA GMC
- NEMN100SA GBT
- NEMN100SA GCR
- NEMN100SA GSA
- NEMN100SA GMS
- NEMN100SA GEV
- NEMN100SA GDW

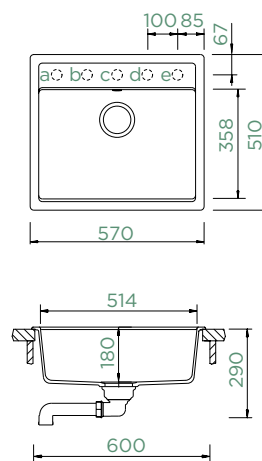
- NEMN100SU GNE
- NEMN100SU GON
- NEMN100SU GAS
- NEMN100SU GMC
- NEMN100SU GBT
- NEMN100SU GCR
- NEMN100SU GSA
- NEMN100SU GMS
- NEMN100SU GEV
- NEMN100SU GDW



NEMO N-100

TOPMOUNT/UNDERMOUNT

Cabinet size: **60 cm**
 Inner dimension of the bowl:
514 × 358 × 180 mm
 Installation: **fixed**
 Cut-out size topmount:
552 × 490 mm
 Cut-out size undermount:
514 × 454 mm



Accessories:

- Automatic drain kit 410061CHR
- Manual drain kit 410060CHR
- Chopping board, bamboo 629159
- Silicone Drain Mat 629188
- Silicone Drain Mat Short 629189
- Strainer bowl 629017
- Corner bowl 629733
- Carrier 629151
- Gastronorm Container GN 2/8 629060
- Gastronorm Container GN 2/8 629061
- Gastronorm Container GN 2/3 629063
- Comfopush, EDM 420016EDM
- Comfopush, CHR 420016CHR
- Amur 629014

- Samo CHR 629169CHR
- Samo EDM 629169EDM
- Samo WGO 629169WGO
- Samo COP 629169COP
- Samo GUM 629169GUM
- Samo PUR 629169S
- Wastecap 628152

TOPMOUNT

UNDERMOUNT

CRISTALITE® BASIC LINE

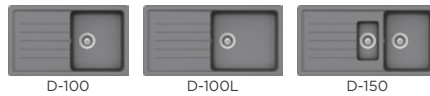
- NEMN100A GNE
- NEMN100A GON
- NEMN100A GAS
- NEMN100A GMC
- NEMN100A GBT
- NEMN100A GCR
- NEMN100A GSA
- NEMN100A GMS
- NEMN100A GEV
- NEMN100A GDW

- NEMN100U GNE
- NEMN100U GON
- NEMN100U GAS
- NEMN100U GMC
- NEMN100U GBT
- NEMN100U GCR
- NEMN100U GSA
- NEMN100U GMS
- NEMN100U GEV
- NEMN100U GDW



PINEDO

Tap model **Epos** in Chrom on sink model **Pinedo D-100** in Onyx



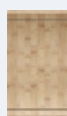
More accessories on p. 216

Fibre-Rock chopping board



(629184)

Wooden chopping board



(629044)

Wastecap



Comfopush



Corner dish



(629733)



PINEDO D-100

TOPMOUNT/UNDERMOUNT

Cabinet size: **50 cm**

Inner dimension of the bowl:

385 × 432 × 175 mm

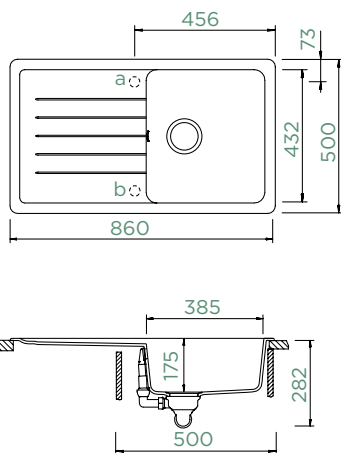
Installation: **reversible**

Cut-out size topmount:

840 × 480 mm

Cut-out size undermount:

846 × 486 mm



Accessories:

- Automatic drain kit 410061CHR
- Manual drain kit 410060CHR
- Chopping board, bamboo 629044
- Chopping board Fibre-Rock 629184
- Design Drip Rack 629725S
- Design Drip Rack 629725EDM
- Design Drip Rack 629725COP
- 2x2 Design Drip Rack 629724EDM
- 2x2 Design Drip Rack 629724S
- Corner bowl 629733
- Comfopush, EDM 420016EDM
- Comfopush, CHR 420016CHR
- Wastecap 628152

TOPMOUNT

UNDERMOUNT

CRISTALITE® BASIC LINE

- PIND100A **GNE**
- PIND100A **GON**
- PIND100A **GAS**
- PIND100A **GCR**
- PIND100A **GDW**

- PIND100U **GNE**
- PIND100U **GON**
- PIND100U **GAS**
- PIND100U **GCR**
- PIND100U **GDW**



PINEDO D-100L

TOPMOUNT/UNDERMOUNT

Cabinet size: **60 cm**

Inner dimension of the bowl:

485 × 432 × 175 mm

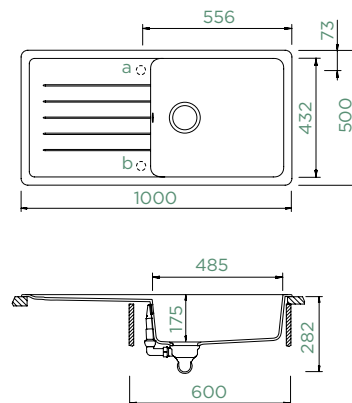
Installation: **reversible**

Cut-out size topmount:

980 × 480 mm

Cut-out size undermount:

986 × 486 mm



Accessories:

- Automatic drain kit 410061CHR
- Manual drain kit 410060CHR
- Chopping board, bamboo 629044
- Chopping board Fibre-Rock 629184
- Design Drip Rack 629725S
- Design Drip Rack 629725EDM
- Design Drip Rack 629725COP
- 2x2 Design Drip Rack 629724S
- 2x2 Design Drip Rack 629724EDM
- Corner bowl 629733
- Comfopush, EDM 420016EDM
- Comfopush, CHR 420016CHR
- Wastecap 628152

TOPMOUNT

UNDERMOUNT

CRISTALITE® BASIC LINE

- PIND100LA **GNE**
- PIND100LA **GON**
- PIND100LA **GAS**
- PIND100LA **GCR**
- PIND100LA **GDW**

- PIND100LU **GNE**
- PIND100LU **GON**
- PIND100LU **GAS**
- PIND100LU **GCR**
- PIND100LU **GDW**



PINEDO D-150

TOPMOUNT/UNDERMOUNT

Cabinet size: **60 cm**

Inner dimension of the bowl:

350 × 432 × 175 mm

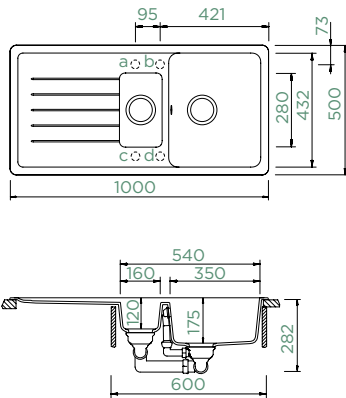
Installation: **reversible**

Cut-out size topmount:

980 × 480 mm

Cut-out size undermount:

986 × 486 mm



Accessories:

Automatic drain kit 410063CHR

Manual drain kit 410062CHR

Chopping board, bamboo 629044

Chopping board Fibre-Rock 629184

Design Drip Rack 629725S

Design Drip Rack 629725EDM

Design Drip Rack 629725COP

2x2 Design Drip Rack 629724S

2x2 Design Drip Rack 629724EDM

Corner bowl 629733

Comfopush, EDM 420016EDM

Comfopush, CHR 420016CHR

Wastecap 628152

TOPMOUNT

UNDERMOUNT

CRISTALITE® BASIC LINE

● PIND150A **GNE**

● PIND150A **GON**

● PIND150A **GAS**

● PIND150A **GCR**

○ PIND150A **GDW**

PIND150U **GNE**

PIND150U **GON**

PIND150U **GAS**

PIND150U **GCR**

PIND150U **GDW**

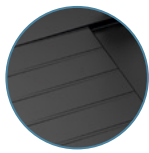




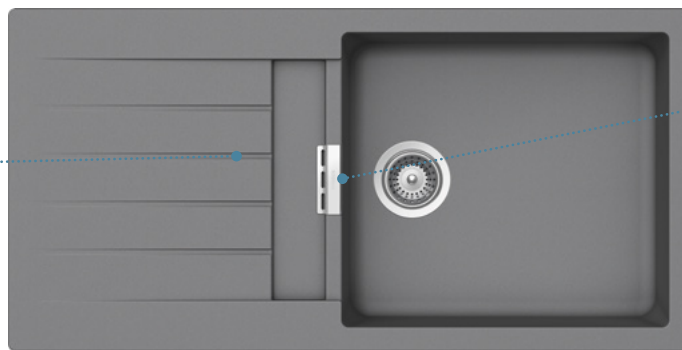
PRIMUS

Tap model **Epos** in Chrome on sink model **Primus D-100** in Nero

Wide choice of designs



Clean lines with integrated drainer grooves



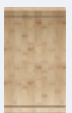
Designer overflow

Deep bowl
e.g. for filling tall vases or pots & pans



More accessories on p. 216

Wooden chopping board



(629044)

Fibre-Rock chopping board



(629184)

Soap dispenser



Wastecap



Comfopush



Corner dish



(629733)



PRIMUS D-100

TOPMOUNT/UNDERMOUNT

Cabinet size: **45 cm**

Inner dimension of the bowl:

347 × 430 × 195 mm

Installation: **reversible**

Cut-out size topmount:

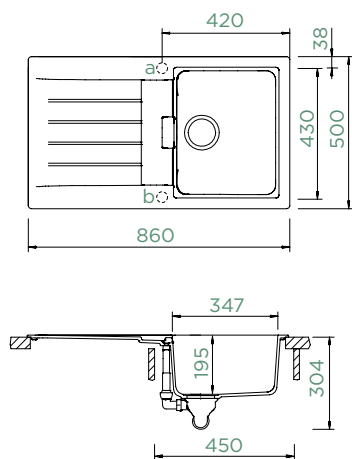
840 × 480 mm

Cut-out size undermount:

846 × 486 mm

Worktop for built-in

dishwasher: **22 mm**



Accessories:

Automatic drain kit 410077CHR

Manual drain kit 410076CHR

Chopping board, bamboo 629044

Chopping board Fibre-Rock 629184

Corner bowl 629733

Wire basket 629171

Comfopush, EDM 420016EDM

Comfopush, CHR 420016CHR

Wastecap 628152

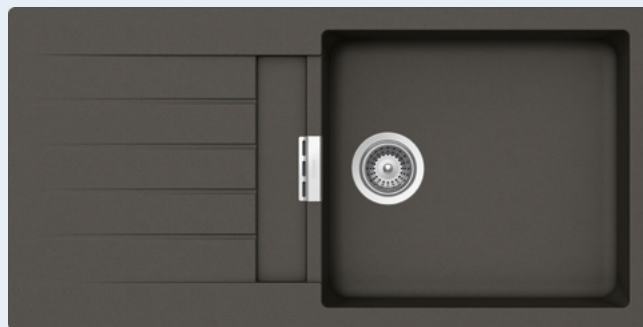
TOPMOUNT

UNDERMOUNT

CRISTALITE® BASIC LINE

- PRID100A **GNE**
- PRID100A **GON**
- PRID100A **GAS**
- PRID100A **GMC**
- PRID100A **GBT**
- PRID100A **GCR**
- PRID100A **GSA**
- PRID100A **GMS**
- PRID100A **GEV**
- PRID100A **GDW**

- PRID100U **GNE**
- PRID100U **GON**
- PRID100U **GAS**
- PRID100U **GMC**
- PRID100U **GBT**
- PRID100U **GCR**
- PRID100U **GSA**
- PRID100U **GMS**
- PRID100U **GEV**
- PRID100U **GDW**



PRIMUS D-100L

TOPMOUNT/UNDERMOUNT

Cabinet size: **60 cm**

Inner dimension of the bowl:

478 × 430 × 195 mm

Installation: **reversible**

Cut-out size topmount:

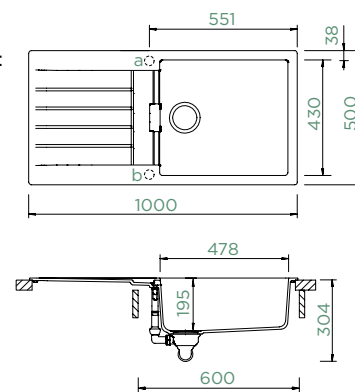
980 × 480 mm

Cut-out size undermount:

986 × 486 mm

Worktop for built-in

dishwasher: **21 mm**



Accessories:

Automatic drain kit 410077CHR

Manual drain kit 410076CHR

Chopping board, bamboo 629044

Chopping board Fibre-Rock 629184

Corner bowl 629733

Wire basket 629171

Comfopush, EDM 420016EDM

Comfopush, CHR 420016CHR

Wastecap 628152

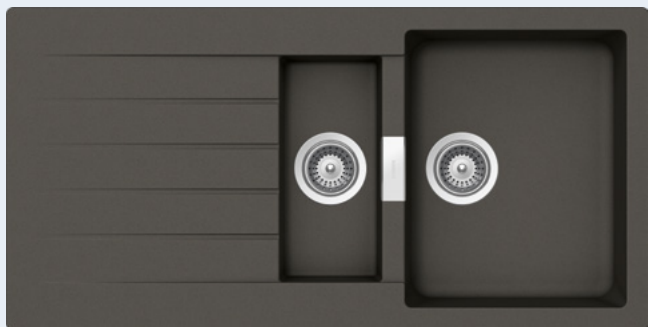
TOPMOUNT

UNDERMOUNT

CRISTALITE® BASIC LINE

- PRID100LA **GNE**
- PRID100LA **GON**
- PRID100LA **GAS**
- PRID100LA **GMC**
- PRID100LA **GBT**
- PRID100LA **GCR**
- PRID100LA **GSA**
- PRID100LA **GMS**
- PRID100LA **GEV**
- PRID100LA **GDW**

- PRID100LU **GNE**
- PRID100LU **GON**
- PRID100LU **GAS**
- PRID100LU **GMC**
- PRID100LU **GBT**
- PRID100LU **GCR**
- PRID100LU **GSA**
- PRID100LU **GMS**
- PRID100LU **GEV**
- PRID100LU **GDW**



PRIMUS D-150

TOPMOUNT/UNDERMOUNT

Cabinet size: **60 cm**

Inner dimension of the bowl:

344 × 430 × 195 mm

Installation: **reversible**

Cut-out size topmount:

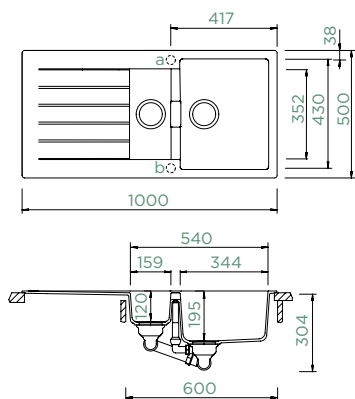
980 × 480 mm

Cut-out size undermount:

986 × 486 mm

Worktop for built-in

dishwasher: **14 mm**



Accessories:

Automatic drain kit 410067CHR
 Manual drain kit 410066CHR
 Chopping board, bamboo 629044
 Chopping board Fibre-Rock 629184
 Strainer bowl 629043
 Corner bowl 629733
 Wire basket 629171
 Comfopush, EDM 420016EDM
 Comfopush, CHR 420016CHR
 Wastecap 628152

TOPMOUNT

UNDERMOUNT

CRISTALITE® BASIC LINE

- PRID150A **GNE**
- PRID150A **GON**
- PRID150A **GAS**
- PRID150A **GMC**
- PRID150A **GBT**
- PRID150A **GCR**
- PRID150A **GSA**
- PRID150A **GMS**
- PRID150A **GEV**
- PRID150A **GDW**

- PRID150U **GNE**
- PRID150U **GON**
- PRID150U **GAS**
- PRID150U **GMC**
- PRID150U **GBT**
- PRID150U **GCR**
- PRID150U **GSA**
- PRID150U **GMS**
- PRID150U **GEV**
- PRID150U **GDW**



PRIMUS N-100XL

TOPMOUNT/UNDERMOUNT

Cabinet size: **80 cm**

Inner dimension of the bowl:

720 × 384 × 195 mm

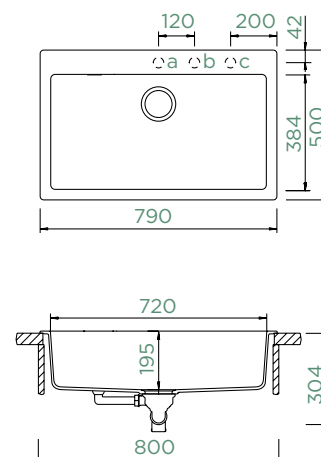
Installation: **fixed**

Cut-out size topmount:

770 × 480 mm

Cut-out size undermount:

775 × 485 mm



Accessories:

Automatic drain kit 410055CHR
 Manual drain kit 410054CHR
 Chopping board, bamboo 629044
 Silicone Drain Mat 629188
 Silicone Drain Mat Short 629189
 Corner bowl 629733
 Comfopush, EDM 420016EDM
 Comfopush, CHR 420016CHR
 Amur 629014
 Samo CHR 629169CHR
 Samo EDM 629169EDM
 Samo WGO 629169WGO
 Samo COP 629169COP
 Samo GUM 629169GUM

Samo PUR 629169S
 Wastecap 628152

TOPMOUNT

UNDERMOUNT

CRISTALITE® BASIC LINE

- PRIN100XLA **GNE**
- PRIN100XLA **GON**
- PRIN100XLA **GAS**
- PRIN100XLA **GMC**
- PRIN100XLA **GBT**
- PRIN100XLA **GCR**
- PRIN100XLA **GSA**
- PRIN100XLA **GMS**
- PRIN100XLA **GEV**
- PRIN100XLA **GDW**

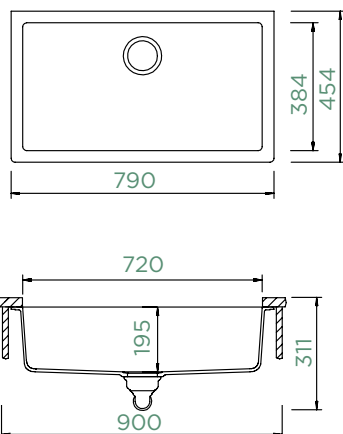
- PRIN100XLU **GNE**
- PRIN100XLU **GON**
- PRIN100XLU **GAS**
- PRIN100XLU **GMC**
- PRIN100XLU **GBT**
- PRIN100XLU **GCR**
- PRIN100XLU **GSA**
- PRIN100XLU **GMS**
- PRIN100XLU **GEV**
- PRIN100XLU **GDW**



PRIMUS N-100XLY

UNDERMOUNT

Cabinet size: **90 cm**
 Inner dimension of the bowl:
720 × 384 × 195 mm
 Installation: **fixed**
 Cut-out size undermount:
720 × 384 mm

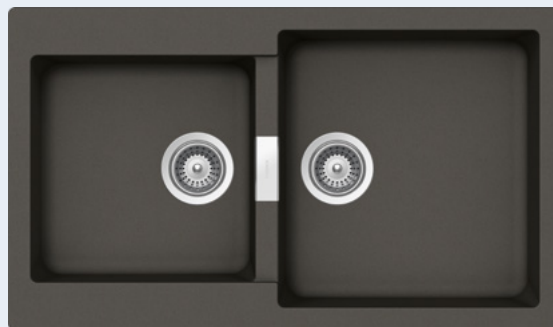


Accessories:
 Automatic drain kit 410055CHR
 Manual drain kit 410054CHR
 Silicone Drain Mat 629188
 Silicone Drain Mat Short 629189
 Corner bowl 629733
 Comfopush, EDM 420016EDM
 Comfopush, CHR 420016CHR
 Wastecap 628152

UNDERMOUNT

CRISTALITE® BASIC LINE

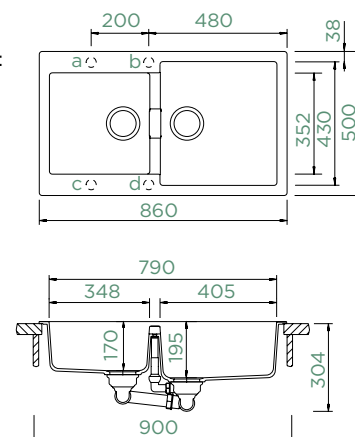
- PRIN100XLYU GNE
- PRIN100XLYU GON
- PRIN100XLYU GAS
- PRIN100XLYU GMC
- PRIN100XLYU GBT
- PRIN100XLYU GCR
- PRIN100XLYU GSA
- PRIN100XLYU GMS
- PRIN100XLYU GEV
- PRIN100XLYU GDW



PRIMUS N-200

TOPMOUNT/UNDERMOUNT

Cabinet size: **90 cm**
 Inner dimension of the bowl:
405 × 430 × 195 mm
 Installation: **reversible**
 Cut-out size topmount:
840 × 480 mm
 Cut-out size undermount:
846 × 486 mm



Accessories:
 Automatic drain kit 410067CHR
 Manual drain kit 410066CHR
 Chopping board, bamboo 629044
 Chopping board Fibre-Rock 629184
 Silicone Drain Mat 629188
 Silicone Drain Mat Short 629189
 Corner bowl 629733
 Wire basket 629171
 Amur 629014
 Wastecap 628152

TOPMOUNT

CRISTALITE® BASIC LINE

- PRIN200A GNE
- PRIN200A GON
- PRIN200A GAS
- PRIN200A GMC
- PRIN200A GBT
- PRIN200A GCR
- PRIN200A GSA
- PRIN200A GMS
- PRIN200A GEV
- PRIN200A GDW

UNDERMOUNT

- PRIN200U GNE
- PRIN200U GON
- PRIN200U GAS
- PRIN200U GMC
- PRIN200U GBT
- PRIN200U GCR
- PRIN200U GSA
- PRIN200U GMS
- PRIN200U GEV
- PRIN200U GDW

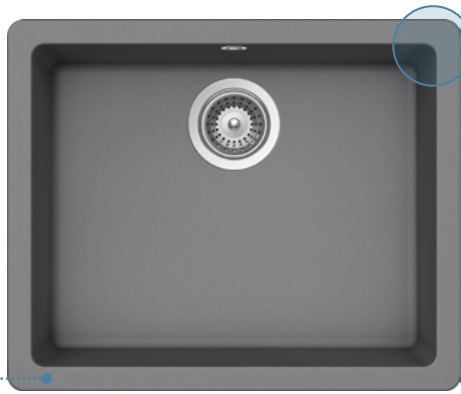


QUADRO

Tap model **Metis** in Chrome on sink model **Quadro N-150** in Concrete



N-100S N-100 N-150



Tight corners - modern look

Two installation options
Same base cabinet for inset and undermount installation

Deep bowl
e.g. for filling tall vases or pots & pans



More accessories on p. 216

Functional bowl



(629051SH)
N-150

Silicone drain mat



Wastecap



Comfopush



Corner dish



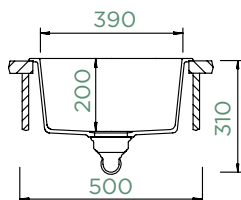
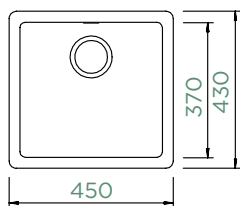
(629733)



QUADRO N-100S

TOPMOUNT/UNDERMOUNT

Cabinet size: **50 cm**
 Inner dimension of the bowl:
390 × 370 × 200 mm
 Installation: **fixed**
 Cut-out size topmount:
430 × 410 mm
 Cut-out size undermount:
390 × 370 mm



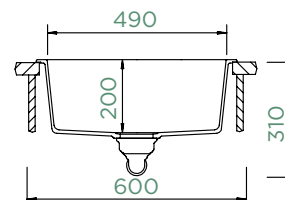
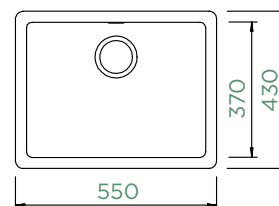
Accessories:
 Automatic drain kit 410061CHR
 Manual drain kit 410060CHR
 Silicone Drain Mat 629188
 Silicone Drain Mat Short 629189
 Strainer bowl 629051SH
 Corner bowl 629733
 Comfopush, EDM 420016EDM
 Comfopush, CHR 420016CHR
 Wastecap 628152



QUADRO N-100

TOPMOUNT/UNDERMOUNT

Cabinet size: **60 cm**
 Inner dimension of the bowl:
490 × 370 × 200 mm
 Installation: **fixed**
 Cut-out size topmount:
530 × 410 mm
 Cut-out size undermount:
490 × 370 mm



Accessories:
 Automatic drain kit 410061CHR
 Manual drain kit 410060CHR
 Silicone Drain Mat 629188
 Silicone Drain Mat Short 629189
 Strainer bowl 629051SH
 Corner bowl 629733
 Comfopush, EDM 420016EDM
 Comfopush, CHR 420016CHR
 Wastecap 628152

TOPMOUNT

UNDERMOUNT

CRISTALITE® BASIC LINE

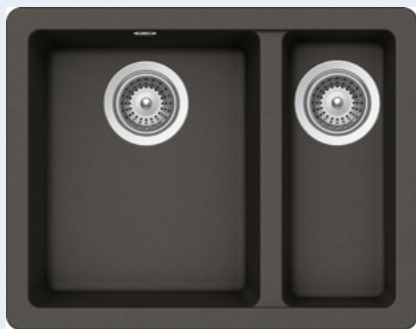
- | | |
|-----------------|---------------|
| ● QUAN100SA GNE | QUAN100SU GNE |
| ● QUAN100SA GON | QUAN100SU GON |
| ● QUAN100SA GAS | QUAN100SU GAS |
| ● QUAN100SA GMC | QUAN100SU GMC |
| ● QUAN100SA GBT | QUAN100SU GBT |
| ● QUAN100SA GCR | QUAN100SU GCR |
| ● QUAN100SA GSA | QUAN100SU GSA |
| ● QUAN100SA GMS | QUAN100SU GMS |
| ● QUAN100SA GEV | QUAN100SU GEV |
| ○ QUAN100SA GDW | QUAN100SU GDW |

TOPMOUNT

UNDERMOUNT

CRISTALITE® BASIC LINE

- | | |
|----------------|--------------|
| ● QUAN100A GNE | QUAN100U GNE |
| ● QUAN100A GON | QUAN100U GON |
| ● QUAN100A GAS | QUAN100U GAS |
| ● QUAN100A GMC | QUAN100U GMC |
| ● QUAN100A GBT | QUAN100U GBT |
| ● QUAN100A GCR | QUAN100U GCR |
| ● QUAN100A GSA | QUAN100U GSA |
| ● QUAN100A GMS | QUAN100U GMS |
| ● QUAN100A GEV | QUAN100U GEV |
| ○ QUAN100A GDW | QUAN100U GDW |



QUADRO N-150

TOPMOUNT/UNDERMOUNT

Cabinet size: **60 cm**

Inner dimension of the bowl:

310 × 370 × 200 mm

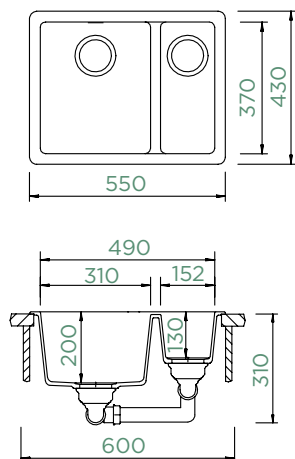
Installation: **fixed**

Cut-out size topmount:

530 × 410 mm

Cut-out size undermount:

490 × 370 mm



Accessories:

Automatic drain kit 410063CHR

Manual drain kit 410062CHR

Strainer bowl 629051SH

Silicone Drain Mat 629188

Silicone Drain Mat Short 629189

Corner bowl 629733

Comfopush, EDM 420016EDM

Comfopush, CHR 420016CHR

Wastecap 628152

TOPMOUNT

UNDERMOUNT

CRISTALITE® BASIC LINE

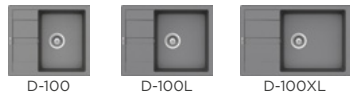
- QUAN150A GNE
- QUAN150A GON
- QUAN150A GAS
- QUAN150A GMC
- QUAN150A GBT
- QUAN150A GCR
- QUAN150A GSA
- QUAN150A GMS
- QUAN150A GEV
- QUAN150A GDW

- QUAN150U GNE
- QUAN150U GON
- QUAN150U GAS
- QUAN150U GMC
- QUAN150U GBT
- QUAN150U GCR
- QUAN150U GSA
- QUAN150U GMS
- QUAN150U GEV
- QUAN150U GDW

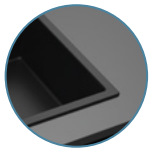


RONDA

Tap model **SC-90** in Onyx on sink model **Ronda D-100XL** in Nero



Extra deep and wide drainer grooves

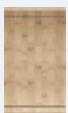


Tight corners

Most space-saving model with draining board

More accessories on p. 216

Wooden chopping board



(629044)

Fibre-Rock chopping board



(629184)

Soap dispenser



Wastecap



Comfopush



(629733)

Corner dish



RONDA D-100

TOPMOUNT/UNDERMOUNT

Cabinet size: **45 cm**

Inner dimension of the bowl:

336 × 436 × 195 mm

Installation: **reversible**

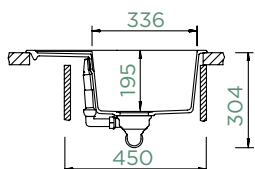
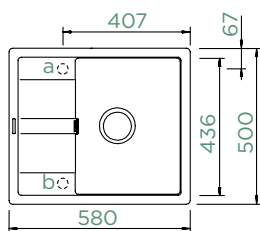
Cut-out size topmount:

560 × 480 mm

Cut-out size undermount:

564 × 484 mm

Worktop for built-in
dishwasher: **26 mm**



Accessories:

Automatic drain kit 629871

Manual drain kit 629870

Chopping board, bamboo 629044

Chopping board Fibre-Rock 629184

Corner bowl 629733

Wastecap 628152

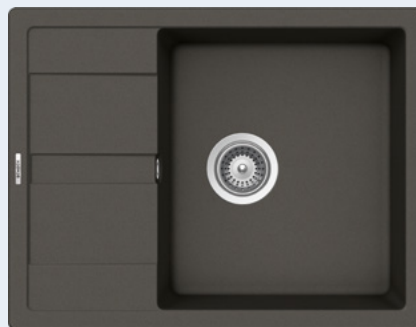
TOPMOUNT

UNDERMOUNT

CRISTALITE® BASIC LINE

- ROND100A GNE
- ROND100A GON
- ROND100A GCR
- ROND100A GSA
- ROND100A GMS
- ROND100A GDW

- ROND100U GNE
- ROND100U GON
- ROND100U GCR
- ROND100U GSA
- ROND100U GMS
- ROND100U GDW



RONDA D-100L

TOPMOUNT/UNDERMOUNT

Cabinet size: **50 cm**

Inner dimension of the bowl:

386 × 436 × 195 mm

Installation: **reversible**

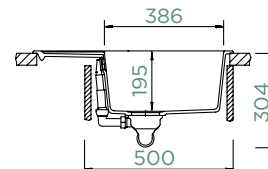
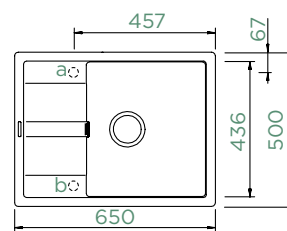
Cut-out size topmount:

630 × 480 mm

Cut-out size undermount:

634 × 484 mm

Worktop for built-in
dishwasher: **26 mm**



Accessories:

Automatic drain kit 629871

Manual drain kit 629870

Chopping board, bamboo 629044

Chopping board Fibre-Rock 629184

Corner bowl 629733

Wastecap 628152

TOPMOUNT

UNDERMOUNT

CRISTALITE® BASIC LINE

- ROND100LA GNE
- ROND100LA GON
- ROND100LA GAS
- ROND100LA GMC
- ROND100LA GBT
- ROND100LA GCR
- ROND100LA GSA
- ROND100LA GMS
- ROND100LA GEV
- ROND100LA GDW

- ROND100LU GNE
- ROND100LU GON
- ROND100LU GAS
- ROND100LU GMC
- ROND100LU GBT
- ROND100LU GCR
- ROND100LU GSA
- ROND100LU GMS
- ROND100LU GEV
- ROND100LU GDW



RONDA D-100XL

TOPMOUNT/UNDERMOUNT

Cabinet size: **60 cm**

Inner dimension of the bowl:

465 × 436 × 195 mm

Installation: **reversible**

Cut-out size topmount:

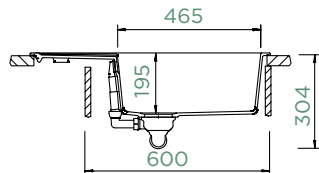
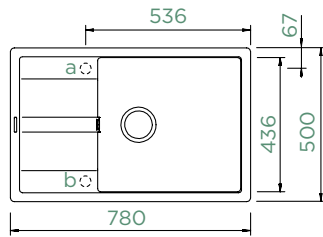
760 × 480 mm

Cut-out size undermount:

764 × 484 mm

Worktop for built-in

dishwasher: **26 mm**



Accessories:

Automatic drain kit 629871

Manual drain kit 629870

Chopping board, bamboo 629044

Chopping board Fibre-Rock 629184

Corner bowl 629733

Wastecap 628152

TOPMOUNT

UNDERMOUNT

CRISTALITE® BASIC LINE

- ROND100XLA **GNE**
- ROND100XLA **GON**
- ROND100XLA **GAS**
- ROND100XLA **GMC**
- ROND100XLA **GBT**
- ROND100XLA **GCR**
- ROND100XLA **GSA**
- ROND100XLA **GMS**
- ROND100XLA **GEV**
- ROND100XLA **GDW**

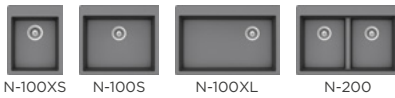
- ROND100XLU **GNE**
- ROND100XLU **GON**
- ROND100XLU **GAS**
- ROND100XLU **GMC**
- ROND100XLU **GBT**
- ROND100XLU **GCR**
- ROND100XLU **GSA**
- ROND100XLU **GMS**
- ROND100XLU **GEV**
- ROND100XLU **GDW**



SIGNATURE

Tap model **Sina** in Solid Stainless Steel on sink model **Signature N-100XL** in Nero

Wide choice of designs



Narrower tap ledge
for greater depth of bowl



Tight corners -
modern look

Two installation options
Same base cabinet for inset and
undermount installation



Deep bowl
e.g. for filling tall vases or pots & pans



More accessories on p. 216

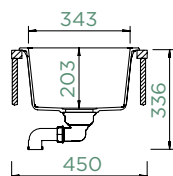
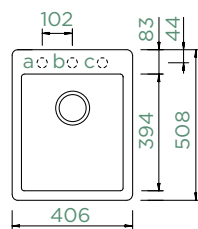


SIGNATURE N-100XS

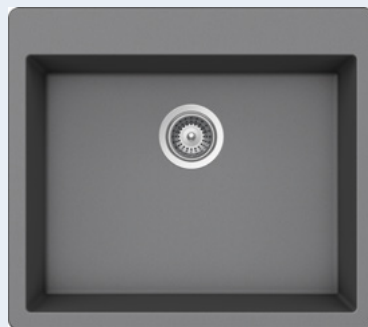
TOPMOUNT/UNDERMOUNT

Cabinet size: **45 cm**
 Inner dimension of the bowl:
343 × 394 × 203 mm

Installation: **fixed**
 Cut-out size topmount:
386 × 488 mm
 Cut-out size undermount:
350 × 401 mm



Accessories:
 Automatic drain kit 410057CHR
 Manual drain kit 410056CHR

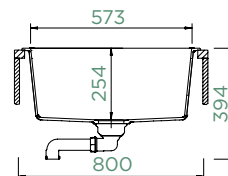
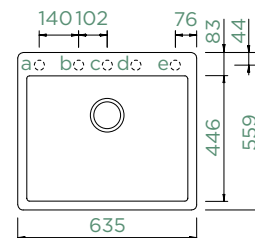


SIGNATURE N-100S

TOPMOUNT/UNDERMOUNT

Cabinet size: **80 cm**
 Inner dimension of the bowl:
573 × 446 × 254 mm

Installation: **fixed**
 Cut-out size topmount:
615 × 539 mm
 Cut-out size undermount:
578 × 451 mm



Accessories:
 Automatic drain kit 410057CHR
 Manual drain kit 410056CHR

TOPMOUNT

UNDERMOUNT

CRISTALITE® BASIC LINE

- | | |
|------------------|----------------|
| ● SGTN100XSA GNE | SGTN100XSU GNE |
| ● SGTN100XSA GCR | SGTN100XSU GCR |
| ○ SGTN100XSA GDW | SGTN100XSU GDW |

TOPMOUNT

UNDERMOUNT

CRISTALITE® BASIC LINE

- | | |
|-----------------|---------------|
| ● SGTN100SA GNE | SGTN100SU GNE |
| ● SGTN100SA GCR | SGTN100SU GCR |
| ○ SGTN100SA GDW | SGTN100SU GDW |

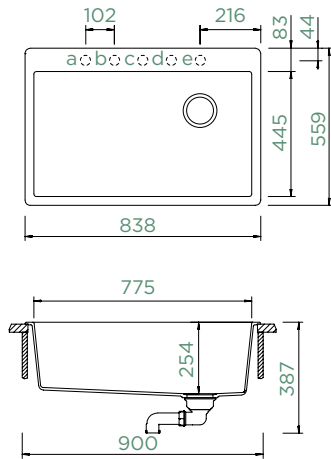


SIGNATURE N-100XL

TOPMOUNT/UNDERMOUNT

Cabinet size: **90 cm**
 Inner dimension of the bowl:
775 × 445 × 254 mm

Installation: **fixed**
 Cut-out size topmount:
818 × 539 mm
 Cut-out size undermount:
782 × 451 mm



Accessories:
 Automatic drain kit 410057CHR
 Manual drain kit 410056CHR

TOPMOUNT

UNDERMOUNT

CRISTALITE® BASIC LINE

- | | |
|-------------------------|-----------------------|
| ● SGTN100XLA GNE | SGTN100XLU GNE |
| ● SGTN100XLA GCR | SGTN100XLU GCR |
| ○ SGTN100XLA GDW | SGTN100XLU GDW |

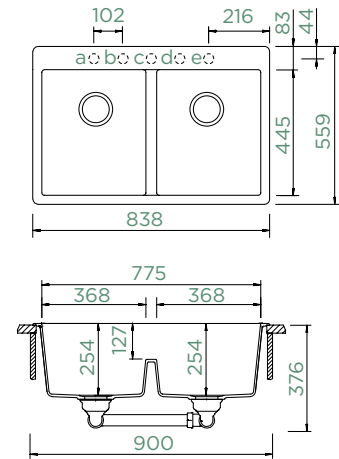


SIGNATURE N-200

TOPMOUNT/UNDERMOUNT

Cabinet size: **90 cm**
 Inner dimension of the bowl:
368 × 445 × 254 mm

Installation: **fixed**
 Cut-out size topmount:
818 × 539 mm
 Cut-out size undermount:
782 × 451 mm



Accessories:
 Automatic drain kit 410059CHR
 Manual drain kit 410058CHR

TOPMOUNT

UNDERMOUNT

CRISTALITE® BASIC LINE

- | | |
|-----------------------|---------------------|
| ● SGTN200A GNE | SGTN200U GNE |
| ● SGTN200A GCR | SGTN200U GCR |
| ○ SGTN200A GDW | SGTN200U GDW |





TRIBECA

Tap model **Conos** in Solid Stainless Steel on sink model **Tribeca N-100XL** in Alpina



N-100XL



Integrated tap ledge
with additional holes for ergonomic positioning of tap, soap dispenser and pop-up control



Integrated lip
for hanging and laying multifunctional accessories

Two installation options
Same base cabinet for inset and undermount installation



Spacious bowl
with room for large cooking utensils



More accessories on p. 216



TRIBECA N-100XL

TOPMOUNT/UNDERMOUNT

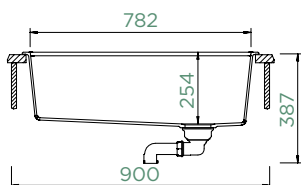
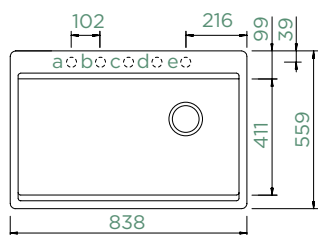
Cabinet size: **90 cm**

Inner dimension of the bowl:
782 × 411 × 254 mm

Installation: **fixed**

Cut-out size topmount:
824 × 545 mm

Cut-out size undermount:
789 × 459 mm



Accessories:

Automatic drain kit 410057CHR

Manual drain kit 410056CHR

TOPMOUNT

UNDERMOUNT

CRISTALITE® BASIC LINE

- TRBN100XLA **GNE**
- TRBN100XLA **GCR**
- TRBN100XLA **GDW**

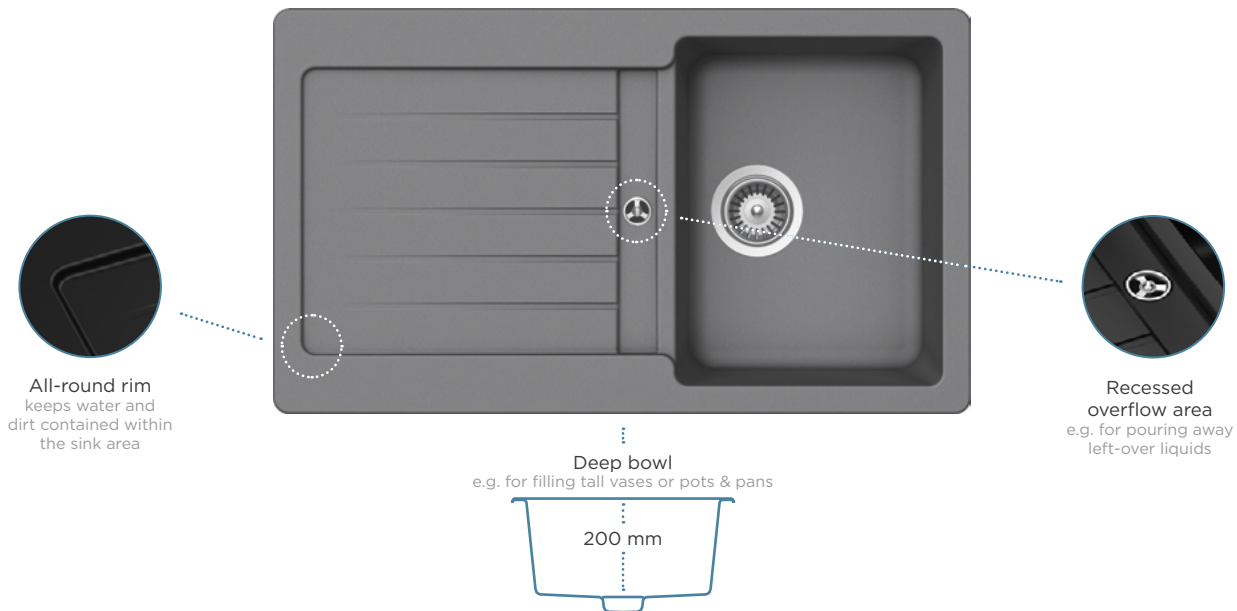
- TRBN100XLU **GNE**
- TRBN100XLU **GCR**
- TRBN100XLU **GDW**



TYPOS

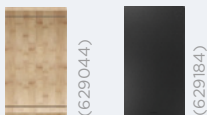
Tap model **Metis** in Chrome on sink model **Typos D-100S** in Nero

Wide choice of designs



More accessories on p. 216

Wooden/Fibre-Rock chopping board



Not for D-100S and D-150S

Wastecap



Corner dish

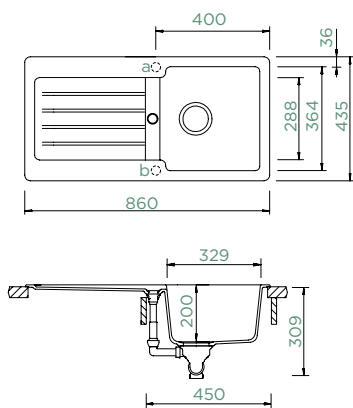




TYPOS D-100S

TOPMOUNT/UNDERMOUNT

Cabinet size: **45 cm**
 Inner dimension of the bowl:
329 × 364 × 200 mm
 Installation: **reversible**
 Cut-out size topmount:
840 × 415 mm
 Cut-out size undermount:
846 × 421 mm
 Worktop for built-in
 dishwasher: **26 mm**



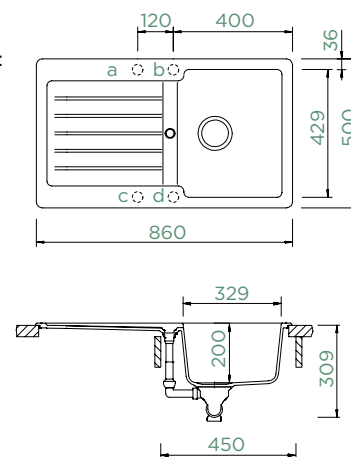
Accessories:
 Automatic drain kit 629899
 Manual drain kit 629872
 Corner bowl 629733
 Wastecap 628152



TYPOS D-100

TOPMOUNT/UNDERMOUNT

Cabinet size: **45 cm**
 Inner dimension of the bowl:
329 × 429 × 200 mm
 Installation: **reversible**
 Cut-out size topmount:
840 × 480 mm
 Cut-out size undermount:
846 × 486 mm
 Worktop for built-in
 dishwasher: **26 mm**



Accessories:
 Automatic drain kit 629899
 Manual drain kit 629872
 Chopping board, bamboo 629044
 Chopping board Fibre-Rock 629184
 Corner bowl 629733
 Wire basket 629171
 Wastecap 628152

TOPMOUNT

UNDERMOUNT

CRISTALITE® BASIC LINE

- | | |
|-----------------|---------------|
| ● TYPD100SA GNE | TYPD100SU GNE |
| ● TYPD100SA GON | TYPD100SU GON |
| ● TYPD100SA GAS | TYPD100SU GAS |
| ● TYPD100SA GMC | TYPD100SU GMC |
| ● TYPD100SA GBT | TYPD100SU GBT |
| ● TYPD100SA GCR | TYPD100SU GCR |
| ● TYPD100SA GSA | TYPD100SU GSA |
| ● TYPD100SA GMS | TYPD100SU GMS |
| ● TYPD100SA GEV | TYPD100SU GEV |
| ○ TYPD100SA GDW | TYPD100SU GDW |

TOPMOUNT

UNDERMOUNT

CRISTALITE® BASIC LINE

- | | |
|----------------|--------------|
| ● TYPD100A GNE | TYPD100U GNE |
| ● TYPD100A GON | TYPD100U GON |
| ● TYPD100A GAS | TYPD100U GAS |
| ● TYPD100A GMC | TYPD100U GMC |
| ● TYPD100A GBT | TYPD100U GBT |
| ● TYPD100A GCR | TYPD100U GCR |
| ● TYPD100A GSA | TYPD100U GSA |
| ● TYPD100A GMS | TYPD100U GMS |
| ● TYPD100A GEV | TYPD100U GEV |
| ○ TYPD100A GDW | TYPD100U GDW |



TYPOS D-100L

TOPMOUNT/UNDERMOUNT

Cabinet size: **60 cm**

Inner dimension of the bowl:

478 × 430 × 200 mm

Installation: **reversible**

Cut-out size topmount:

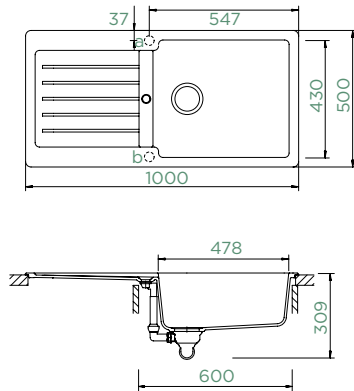
980 × 480 mm

Cut-out size undermount:

986 × 486 mm

Worktop for built-in

dishwasher: **25 mm**



Accessories:

Automatic drain kit 629899

Manual drain kit 629872

Chopping board, bamboo 629044

Chopping board Fibre-Rock 629184

Corner bowl 629733

Wire basket 629171

Wastecap 628152

TOPMOUNT

UNDERMOUNT

CRISTALITE® BASIC LINE

- TYPD100LA GNE
- TYPD100LA GON
- TYPD100LA GAS
- TYPD100LA GMC
- TYPD100LA GBT
- TYPD100LA GCR
- TYPD100LA GSA
- TYPD100LA GMS
- TYPD100LA GEV
- TYPD100LA GDW

- TYPD100LU GNE
- TYPD100LU GON
- TYPD100LU GAS
- TYPD100LU GMC
- TYPD100LU GBT
- TYPD100LU GCR
- TYPD100LU GSA
- TYPD100LU GMS
- TYPD100LU GEV
- TYPD100LU GDW



TYPOS D-150S

TOPMOUNT/UNDERMOUNT

Cabinet size: **60 cm**

Inner dimension of the bowl:

363 × 364 × 200 mm

Installation: **reversible**

Cut-out size topmount:

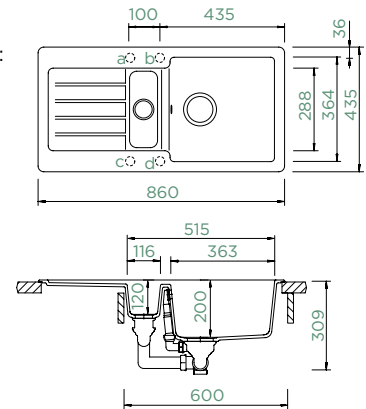
840 × 415 mm

Cut-out size undermount:

846 × 421 mm

Worktop for built-in

dishwasher: **21 mm**



Accessories:

Automatic drain kit 629881

Manual drain kit 629880

Corner bowl 629733

Wastecap 628152

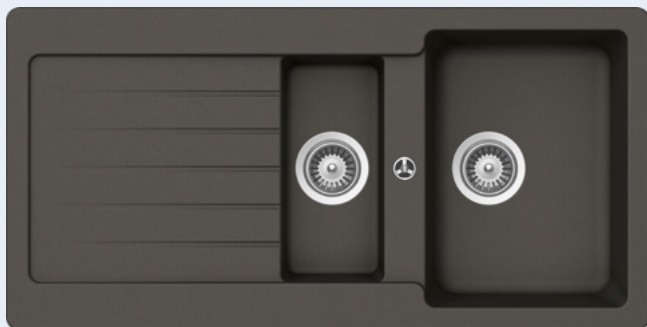
TOPMOUNT

UNDERMOUNT

CRISTALITE® BASIC LINE

- TYPD150SA GNE
- TYPD150SA GON
- TYPD150SA GAS
- TYPD150SA GMC
- TYPD150SA GBT
- TYPD150SA GCR
- TYPD150SA GSA
- TYPD150SA GMS
- TYPD150SA GEV
- TYPD150SA GDW

- TYPD150SU GNE
- TYPD150SU GON
- TYPD150SU GAS
- TYPD150SU GMC
- TYPD150SU GBT
- TYPD150SU GCR
- TYPD150SU GSA
- TYPD150SU GMS
- TYPD150SU GEV
- TYPD150SU GDW



TYPOS D-150

TOPMOUNT/UNDERMOUNT

Cabinet size: **60 cm**

Inner dimension of the bowl:

312 × 429 × 200 mm

Installation: **reversible**

Cut-out size topmount:

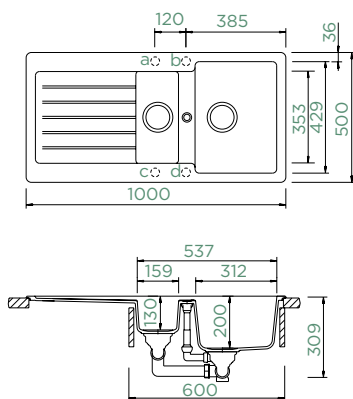
980 × 480 mm

Cut-out size undermount:

986 × 486 mm

Worktop for built-in

dishwasher: **22 mm**



Accessories:

Automatic drain kit 629879

Manual drain kit 629878

Chopping board, bamboo 629044

Chopping board Fibre-Rock 629184

Strainer bowl 629043

Corner bowl 629733

Wastecap 628152



TYPOS D-200

TOPMOUNT/UNDERMOUNT

Cabinet size: **80 cm**

Inner dimension of the bowl:

377 × 429 × 200 mm

Installation: **reversible**

Cut-out size topmount:

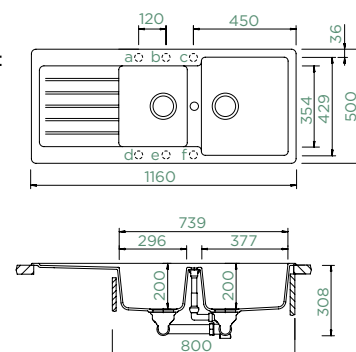
1140 × 480 mm

Cut-out size undermount:

1146 × 486 mm

Worktop for built-in

dishwasher: **22 mm**



Accessories:

Automatic drain kit 629879

Manual drain kit 629878

Chopping board, bamboo 629044

Chopping board Fibre-Rock 629184

Corner bowl 629733

Wire basket 629171

Wastecap 628152

TOPMOUNT

UNDERMOUNT

CRISTALITE® BASIC LINE

- TYPD150A GNE
- TYPD150A GON
- TYPD150A GAS
- TYPD150A GMC
- TYPD150A GBT
- TYPD150A GCR
- TYPD150A GSA
- TYPD150A GMS
- TYPD150A GEV
- TYPD150A GDW

- TYPD150U GNE
- TYPD150U GON
- TYPD150U GAS
- TYPD150U GMC
- TYPD150U GBT
- TYPD150U GCR
- TYPD150U GSA
- TYPD150U GMS
- TYPD150U GEV
- TYPD150U GDW

TOPMOUNT

UNDERMOUNT

CRISTALITE® BASIC LINE

- TYPD200A GNE
- TYPD200A GON
- TYPD200A GAS
- TYPD200A GMC
- TYPD200A GBT
- TYPD200A GCR
- TYPD200A GSA
- TYPD200A GMS
- TYPD200A GEV
- TYPD200A GDW

- TYPD200U GNE
- TYPD200U GON
- TYPD200U GAS
- TYPD200U GMC
- TYPD200U GBT
- TYPD200U GCR
- TYPD200U GSA
- TYPD200U GMS
- TYPD200U GEV
- TYPD200U GDW



TYPOS N-200

TOPMOUNT/UNDERMOUNT

Cabinet size: **90 cm**

Inner dimension of the bowl:

360 × 430 × 200 mm

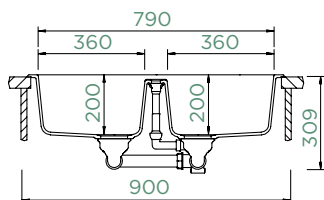
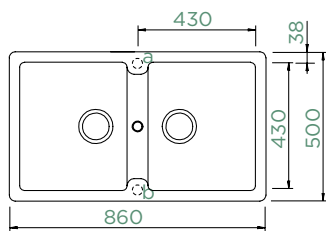
Installation: **reversible**

Cut-out size topmount:

840 × 480 mm

Cut-out size undermount:

846 × 486 mm



Accessories:

Automatic drain kit 629879

Manual drain kit 629878

Chopping board, bamboo 629044

Chopping board Fibre-Rock 629184

Corner bowl 629733

Wire basket 629171

Wastecap 628152

TOPMOUNT

UNDERMOUNT

CRISTALITE® BASIC LINE

- TYPN200A GNE
- TYPN200A GON
- TYPN200A GBT
- TYPN200A GCR
- TYPN200A GSA
- TYPN200A GMS
- TYPN200A GDW

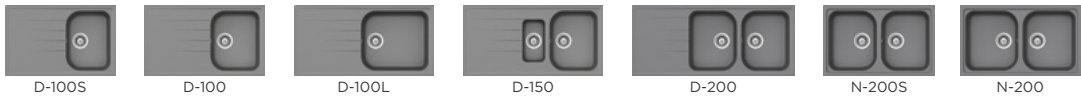
- TYPN200U GNE
- TYPN200U GON
- TYPN200U GBT
- TYPN200U GCR
- TYPN200U GSA
- TYPN200U GMS
- TYPN200U GDW



VIOLA

Tap model **Fonos** in Alpina on sink model **Viola D-100S** in Alpina

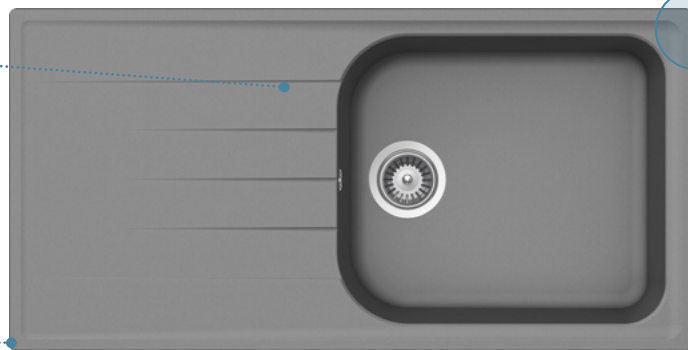
Wide choice of designs



Clean lines with integrated drainer grooves

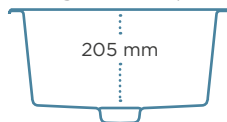


All-round rim keeps water and dirt contained within the sink area



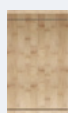
Smooth contours and smooth corners that are even easier to clean

Deep bowl
e.g. for filling tall vases or pots & pans



More accessories on p. 216

Wooden chopping board



(629044)

Fibre-Rock chopping board



(629184)

Wastecap



Comfopush





VIOLA D-100S

TOPMOUNT/UNDERMOUNT

Cabinet size: **40 cm**

Inner dimension of the bowl:

318 × 422 × 205 mm

Installation: **reversible**

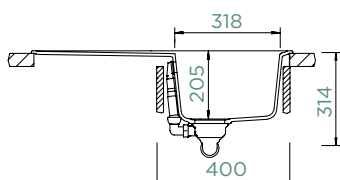
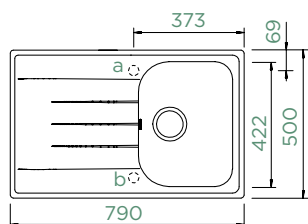
Cut-out size topmount:

770 × 480 mm

Cut-out size undermount:

775 × 485 mm

Worktop for built-in
dishwasher: **21 mm**



Accessories:

Automatic drain kit 629871

Manual drain kit 629870

Chopping board, bamboo 629044

Chopping board Fibre-Rock 629184

Wastecap 628152

TOPMOUNT

UNDERMOUNT

CRISTALITE® BASIC LINE

| | |
|-----------------|---------------|
| ● VIOD100SA GNE | VIOD100SU GNE |
| ● VIOD100SA GON | VIOD100SU GON |
| ● VIOD100SA GAS | VIOD100SU GAS |
| ● VIOD100SA GMC | VIOD100SU GMC |
| ● VIOD100SA GBT | VIOD100SU GBT |
| ● VIOD100SA GCR | VIOD100SU GCR |
| ● VIOD100SA GSA | VIOD100SU GSA |
| ● VIOD100SA GMS | VIOD100SU GMS |
| ● VIOD100SA GEV | VIOD100SU GEV |
| ○ VIOD100SA GDW | VIOD100SU GDW |



VIOLA D-100

TOPMOUNT/UNDERMOUNT

Cabinet size: **45 cm**

Inner dimension of the bowl:

348 × 422 × 204 mm

Installation: **reversible**

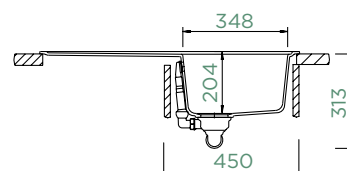
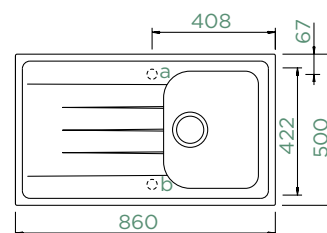
Cut-out size topmount:

840 × 480 mm

Cut-out size undermount:

845 × 481 mm

Worktop for built-in
dishwasher: **27 mm**



Accessories:

Automatic drain kit 629871

Manual drain kit 629870

Chopping board, bamboo 629044

Chopping board Fibre-Rock 629184

Wastecap 628152

TOPMOUNT

UNDERMOUNT

CRISTALITE® BASIC LINE

| | |
|----------------|--------------|
| ● VIOD100A GNE | VIOD100U GNE |
| ● VIOD100A GON | VIOD100U GON |
| ● VIOD100A GAS | VIOD100U GAS |
| ● VIOD100A GMC | VIOD100U GMC |
| ● VIOD100A GBT | VIOD100U GBT |
| ● VIOD100A GCR | VIOD100U GCR |
| ● VIOD100A GSA | VIOD100U GSA |
| ● VIOD100A GMS | VIOD100U GMS |
| ● VIOD100A GEV | VIOD100U GEV |
| ○ VIOD100A GDW | VIOD100U GDW |



VIOLA D-100L

TOPMOUNT/UNDERMOUNT

Cabinet size: **60 cm**

Inner dimension of the bowl:

482 × 422 × 220 mm

Installation: **reversible**

Cut-out size topmount:

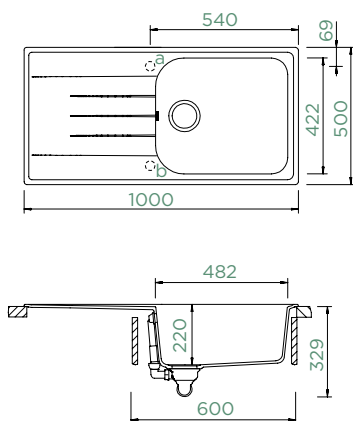
980 × 480 mm

Cut-out size undermount:

985 × 481 mm

Worktop for built-in

dishwasher: **21 mm**



Accessories:

Automatic drain kit 629871

Manual drain kit 629870

Chopping board, bamboo 629044

Chopping board Fibre-Rock 629184

Wastecap 628152

TOPMOUNT

UNDERMOUNT

CRISTALITE® BASIC LINE

- VIOD100LA GNE
- VIOD100LA GON
- VIOD100LA GAS
- VIOD100LA GMC
- VIOD100LA GBT
- VIOD100LA GCR
- VIOD100LA GSA
- VIOD100LA GMS
- VIOD100LA GEV
- VIOD100LA GDW

- VIOD100LU GNE
- VIOD100LU GON
- VIOD100LU GAS
- VIOD100LU GMC
- VIOD100LU GBT
- VIOD100LU GCR
- VIOD100LU GSA
- VIOD100LU GMS
- VIOD100LU GEV
- VIOD100LU GDW



VIOLA D-150

TOPMOUNT/UNDERMOUNT

Cabinet size: **60 cm**

Inner dimension of the bowl:

341 × 422 × 204 mm

Installation: **reversible**

Cut-out size topmount:

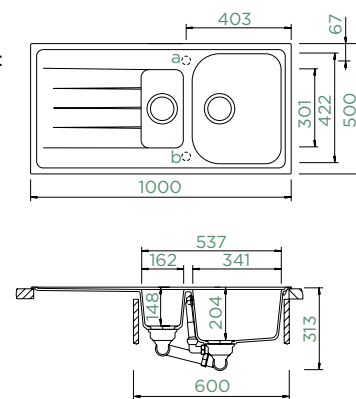
980 × 480 mm

Cut-out size undermount:

985 × 481 mm

Worktop for built-in

dishwasher: **27 mm**



Accessories:

Automatic drain kit 629875

Manual drain kit 629874

Chopping board, bamboo 629044

Chopping board Fibre-Rock 629184

Wastecap 628152

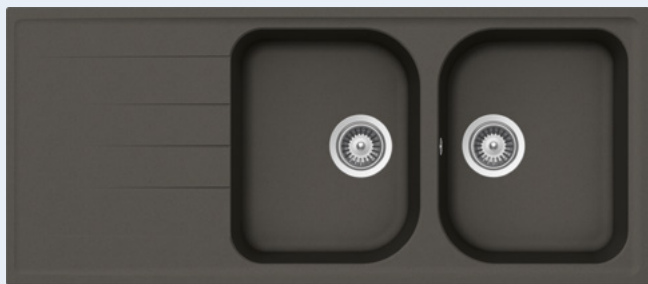
TOPMOUNT

UNDERMOUNT

CRISTALITE® BASIC LINE

- VIOD150A GNE
- VIOD150A GON
- VIOD150A GAS
- VIOD150A GMC
- VIOD150A GBT
- VIOD150A GCR
- VIOD150A GSA
- VIOD150A GMS
- VIOD150A GEV
- VIOD150A GDW

- VIOD150U GNE
- VIOD150U GON
- VIOD150U GAS
- VIOD150U GMC
- VIOD150U GBT
- VIOD150U GCR
- VIOD150U GSA
- VIOD150U GMS
- VIOD150U GEV
- VIOD150U GDW



VIOLA D-200

TOPMOUNT/UNDERMOUNT

Cabinet size: **80 cm**

Inner dimension of the bowl:

341 × 422 × 204 mm

Installation: **reversible**

Cut-out size topmount:

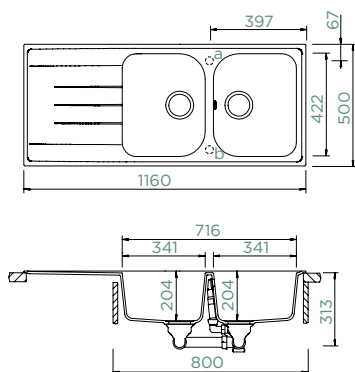
1140 × 480 mm

Cut-out size undermount:

1145 × 481 mm

Worktop for built-in

dishwasher: **27 mm**



Accessories:

Automatic drain kit 629875

Manual drain kit 629874

Chopping board, bamboo 629044

Chopping board Fibre-Rock 629184

Wastecap 628152

TOPMOUNT

UNDERMOUNT

CRISTALITE® BASIC LINE

| | |
|----------------|--------------|
| ● VIOD200A GNE | VIOD200U GNE |
| ● VIOD200A GON | VIOD200U GON |
| ● VIOD200A GAS | VIOD200U GAS |
| ● VIOD200A GMC | VIOD200U GMC |
| ● VIOD200A GBT | VIOD200U GBT |
| ● VIOD200A GCR | VIOD200U GCR |
| ● VIOD200A GSA | VIOD200U GSA |
| ● VIOD200A GMS | VIOD200U GMS |
| ● VIOD200A GEV | VIOD200U GEV |
| ○ VIOD200A GDW | VIOD200U GDW |



VIOLA N-200S

TOPMOUNT/UNDERMOUNT

Cabinet size: **80 cm**

Inner dimension of the bowl:

338 × 421 × 205 mm

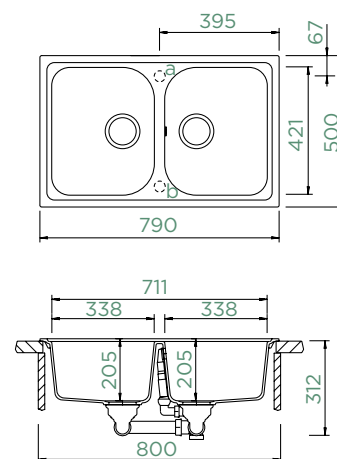
Installation: **reversible**

Cut-out size topmount:

770 × 480 mm

Cut-out size undermount:

775 × 485 mm



Accessories:

Automatic drain kit 629875

Manual drain kit 629874

Chopping board, bamboo 629044

Chopping board Fibre-Rock 629184

Wastecap 628152

TOPMOUNT

UNDERMOUNT

CRISTALITE® BASIC LINE

| | |
|-----------------|---------------|
| ● VION200SA GNE | VION200SU GNE |
| ● VION200SA GON | VION200SU GON |
| ● VION200SA GAS | VION200SU GAS |
| ● VION200SA GMC | VION200SU GMC |
| ● VION200SA GBT | VION200SU GBT |
| ● VION200SA GCR | VION200SU GCR |
| ● VION200SA GSA | VION200SU GSA |
| ● VION200SA GMS | VION200SU GMS |
| ● VION200SA GEV | VION200SU GEV |
| ○ VION200SA GDW | VION200SU GDW |



VIOLA N-200

TOPMOUNT/UNDERMOUNT

Cabinet size: **90 cm**

Inner dimension of the bowl:

373 × 421 × 205 mm

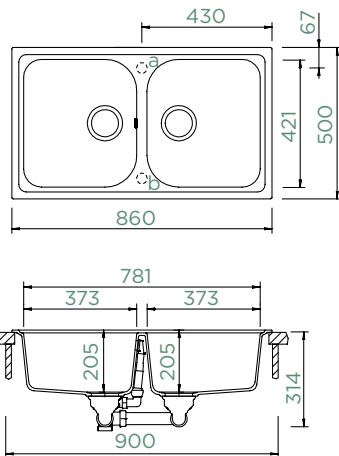
Installation: **reversible**

Cut-out size topmount:

840 × 480 mm

Cut-out size undermount:

845 × 485 mm



Accessories:

Automatic drain kit 629875

Manual drain kit 629874

Chopping board, bamboo 629044

Chopping board Fibre-Rock 629184

Wastecap 628152

TOPMOUNT

UNDERMOUNT

CRISTALITE® BASIC LINE

- VION200A GNE
- VION200A GON
- VION200A GAS
- VION200A GMC
- VION200A GBT
- VION200A GCR
- VION200A GSA
- VION200A GMS
- VION200A GEV
- VION200A GDW

- VION200U GNE
- VION200U GON
- VION200U GAS
- VION200U GMC
- VION200U GBT
- VION200U GCR
- VION200U GSA
- VION200U GMS
- VION200U GEV
- VION200U GDW



VIRTUS

Tap model **Altos** in Solid Stainless Steel on sink model **Virtus N-100** in Concrete

Wide choice of designs



N-100XS, N-100S, N-100XL
Integrated tap ledge
with additional holes for
ergonomic positioning of tap,
soap dispenser and
pop-up control



Tight corners -
modern look



Two installation options
Same base cabinet for inset and
undermount installation

Deep bowl
e.g. for filling tall vases or pots & pans



More accessories on p. 216

**Silicone drain
mat**



Wastecap



**Corner
dish**

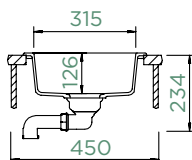
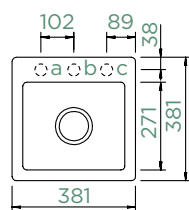




VIRTUS N-100XS

TOPMOUNT/UNDERMOUNT

Cabinet size: **45 cm**
 Inner dimension of the bowl:
315 × 271 × 126 mm
 Installation: **fixed**
 Cut-out size topmount:
367 × 367 mm
 Cut-out size undermount:
324 × 280 mm



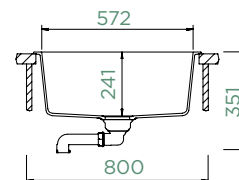
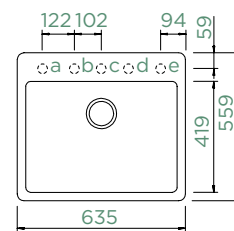
Accessories:
 Automatic drain kit 410057CHR
 Manual drain kit 410056CHR
 Corner bowl 629733
 Wastecap 628152



VIRTUS N-100S

TOPMOUNT/UNDERMOUNT

Cabinet size: **80 cm**
 Inner dimension of the bowl:
572 × 419 × 241 mm
 Installation: **fixed**
 Cut-out size topmount:
615 × 539 mm
 Cut-out size undermount:
578 × 426 mm



Accessories:
 Automatic drain kit 410057CHR
 Manual drain kit 410056CHR
 Corner bowl 629733
 Wastecap 628152

TOPMOUNT

UNDERMOUNT

CRISTALITE® BASIC LINE

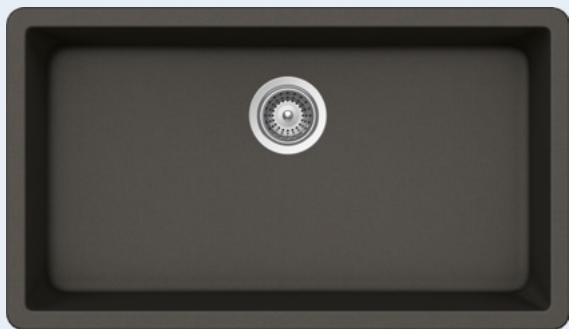
- | | |
|-----------------|---------------|
| ● VITN100SA GNE | VITN100SU GNE |
| ● VITN100SA GON | VITN100SU GON |
| ● VITN100SA GIN | VITN100SU GIN |
| ● VITN100SA GAS | VITN100SU GAS |
| ● VITN100SA GMC | VITN100SU GMC |
| ● VITN100SA GBT | VITN100SU GBT |
| ● VITN100SA GCR | VITN100SU GCR |
| ● VITN100SA GSA | VITN100SU GSA |
| ● VITN100SA GMS | VITN100SU GMS |
| ● VITN100SA GEV | VITN100SU GEV |
| ○ VITN100SA GDW | VITN100SU GDW |

TOPMOUNT

UNDERMOUNT

CRISTALITE® BASIC LINE

- | | |
|-----------------|---------------|
| ● VITN100SA GNE | VITN100SU GNE |
| ● VITN100SA GON | VITN100SU GON |
| ● VITN100SA GIN | VITN100SU GIN |
| ● VITN100SA GAS | VITN100SU GAS |
| ● VITN100SA GMC | VITN100SU GMC |
| ● VITN100SA GBT | VITN100SU GBT |
| ● VITN100SA GCR | VITN100SU GCR |
| ● VITN100SA GSA | VITN100SU GSA |
| ● VITN100SA GMS | VITN100SU GMS |
| ● VITN100SA GEV | VITN100SU GEV |
| ○ VITN100SA GDW | VITN100SU GDW |



VIRTUS N-100

UNDERMOUNT

Cabinet size: **80 cm**

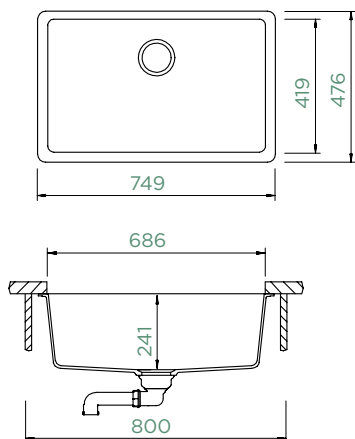
Inner dimension of the bowl:

686 × 419 × 241 mm

Installation: **fixed**

Cut-out size undermount:

692 × 426 mm



Accessories:

Automatic drain kit 410057CHR

Manual drain kit 410056CHR

Corner bowl 629733

Wastecap 628152

UNDERMOUNT

CRISTALITE® BASIC LINE

- VITN100U GNE
- VITN100U GON
- VITN100U GIN
- VITN100U GAS
- VITN100U GMC
- VITN100U GBT
- VITN100U GCR
- VITN100U GSA
- VITN100U GMS
- VITN100U GEV
- VITN100U GDW



VIRTUS N-100XL

TOPMOUNT/UNDERMOUNT

Cabinet size: **90 cm**

Inner dimension of the bowl:

768 × 414 × 240 mm

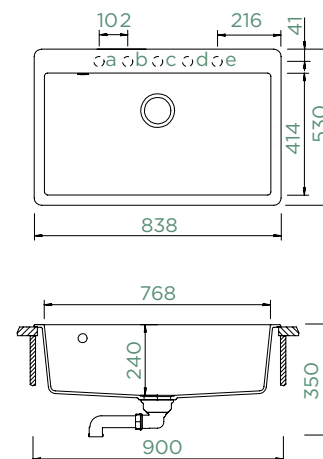
Installation: **fixed**

Cut-out size topmount:

818 × 510 mm

Cut-out size undermount:

782 × 428 mm



Accessories:

Automatic drain kit 410061CHR

Manual drain kit 410060CHR

Corner bowl 629733

Wastecap 628152

TOPMOUNT

CRISTALITE® BASIC LINE

- VITN100XLA GNE
- VITN100XLA GON
- VITN100XLA GIN
- VITN100XLA GAS
- VITN100XLA GMC
- VITN100XLA GBT
- VITN100XLA GCR
- VITN100XLA GSA
- VITN100XLA GMS
- VITN100XLA GEV
- VITN100XLA GDW

UNDERMOUNT

- VITN100XLU GNE
- VITN100XLU GON
- VITN100XLU GIN
- VITN100XLU GAS
- VITN100XLU GMC
- VITN100XLU GBT
- VITN100XLU GCR
- VITN100XLU GSA
- VITN100XLU GMS
- VITN100XLU GEV
- VITN100XLU GDW



VIRTUS N-100XLY

UNDERMOUNT

Cabinet size: **90 cm**

Inner dimension of the bowl:

768 × 414 × 240 mm

Installation: **fixed**

Cut-out size undermount:

782 × 428 mm

Accessories:

Automatic drain kit 410061CHR

Manual drain kit 410060CHR

Corner bowl 629733

Wastecap 628152

UNDERMOUNT

CRISTALITE® BASIC LINE

- VITN100XLYU GNE
- VITN100XLYU GON
- VITN100XLYU GIN
- VITN100XLYU GAS
- VITN100XLYU GMC
- VITN100XLYU GBT
- VITN100XLYU GCR
- VITN100XLYU GSA
- VITN100XLYU GMS
- VITN100XLYU GEV
- VITN100XLYU GDW



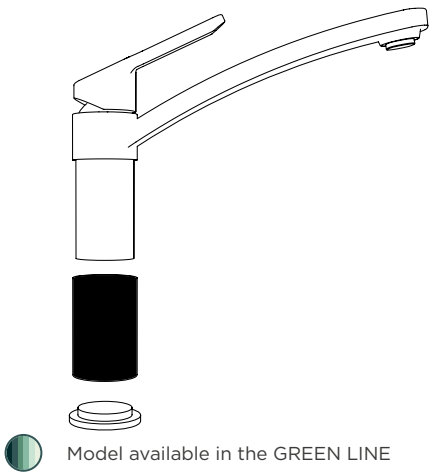


SCHOCK
Mixer Taps



Coloured Mixer Taps

SLEEVE TECHNOLOGY



COLOUR COATED

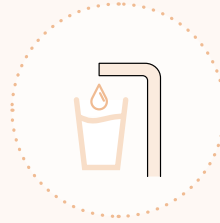


SPECIAL FEATURES

PVD-COATED



FILTRATION WATER



DION
P. 183

CD
CHR
WGO COP GUM



LAIOS
P. 197

CD
EDM
WGO COP GUM



ARES
P. 179

EDM



KAVUS
P. 195

PUR EDM
WGO COP GUM



RESI
P. 204

EDM
WGO



VITUS
P. 129

PUR EDM



KETO
P. 196

PUR EDM
WGO COP GUM

CHR

Chrome

EDO

Stainless steel look

EDM

Solid stainless steel

WGO

White Gold

COP

Copper

GUM

Gunmetal

SW

Black or white

PUR

Puro

CT

CRISTALITE®

CD

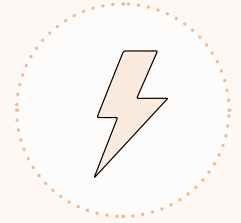
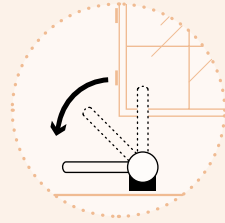
CRISTADUR®

Green Line

SPECIAL FEATURES

SLEEVE TECHNOLOGY

UNDER-WINDOW LOW PRESSURE



SC-90
p. 205



SC-530
p. 209



ALTOS W
p. 178



ALTOS ND
s. 176



SC-510
p. 206,206-207



SC-540
p. 210



EPOS W
s. 186



SC-510 ND
s. 207



SC-510 LP
p. 207



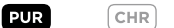
SC-550
p. 211



LAIOS W
p. 198



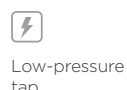
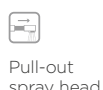
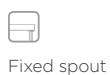
EPOS ND
s. 185



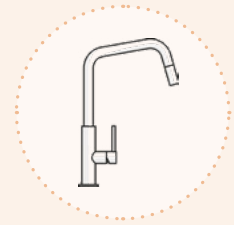
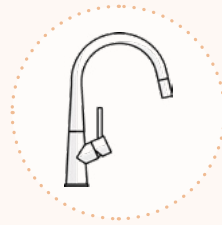
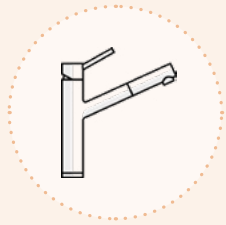
SC-520
p. 208



EPOS W ND
s. 186



CHROME MIXER TAPS



COSMO
p. 181



PAPILIO
p. 201



GOTA
p. 190



FONOS
p. 189



DAJA
p. 182



SC-90
p. 205



HEKATE
p. 191



SC-530
p. 209



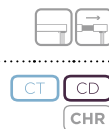
DION
p. 183



SC-510
p. 206,206-207



PLUTOS
p. 203



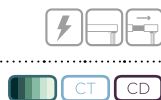
TANOS
p. 212



METIS
p. 199



SC-510 LP
p. 207



SC-520
p. 208



CHR
Chrome

EDO
Stainless steel look

EDM
Solid stainless steel

WGO
White Gold

COP
Copper

GUM
Gunmetal

SW
Black or white

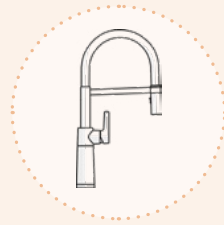
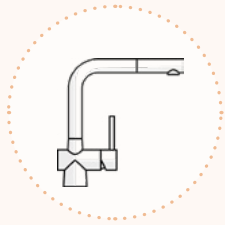
PUR
Puro

CT
CRISTALITE®

CD
CRISTADUR®

EDM
Green Line

CHROME MIXER TAPS



CT CD

 CHR

EPOS
p. 184



CT CD

SC-540
p. 206



CHR

KARPO
p. 192



NEW

EPOS W
p. 186

PUR

CHR



CT CD

SC-550
p. 207



CD

 CHR

NIMBUS
p. 200



CD

 CHR

PIEGA
p. 202



Filtration water



Fixed spout



Pull-out spout



Pull-out spray head

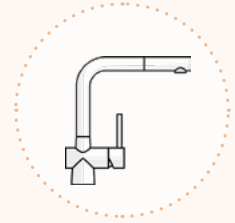
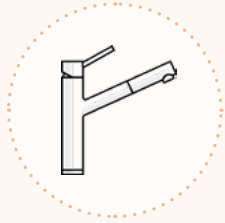


Low-pressure tap



Under-window tap

STAINLESS STEEL MIXER TAPS



ALTOS
p. 176

PUR EDM



ARES
p. 179

CT CD
EDM



NEW



TALIA
p. 213

S
EDM



KETO
p. 196

PUR EDM
GUM COP WGO



ALTOS S
p. 177

PUR EDM



CONOS
p. 180

EDM



LAIOS
p. 197

CD

EDM
GUM COP WGO



ALTOS W
p. 178

EDM



CONOS PRO
p. 179

EDM



LAIOS W
p. 198

EDM



EVINAS
p. 188

EDM



KAVUS
p. 195

CD CT
EDM
GUM COP WGO



VITUS
p. 216

CD CT

PUR EDM

CHR

Chrome

EDO

Stainless steel look

EDM

Solid stainless steel

WGO

White Gold

COP

Copper

GUM

Gunmetal

SW

Black or white

PUR

Puro

CT

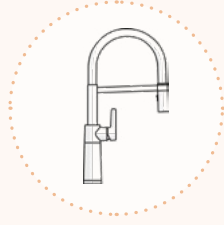
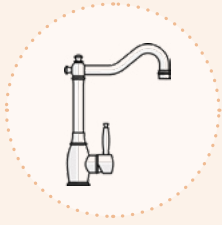
CRISTALITE®

CD

CRISTADUR®

Green Line

STAINLESS STEEL MIXER TAPS



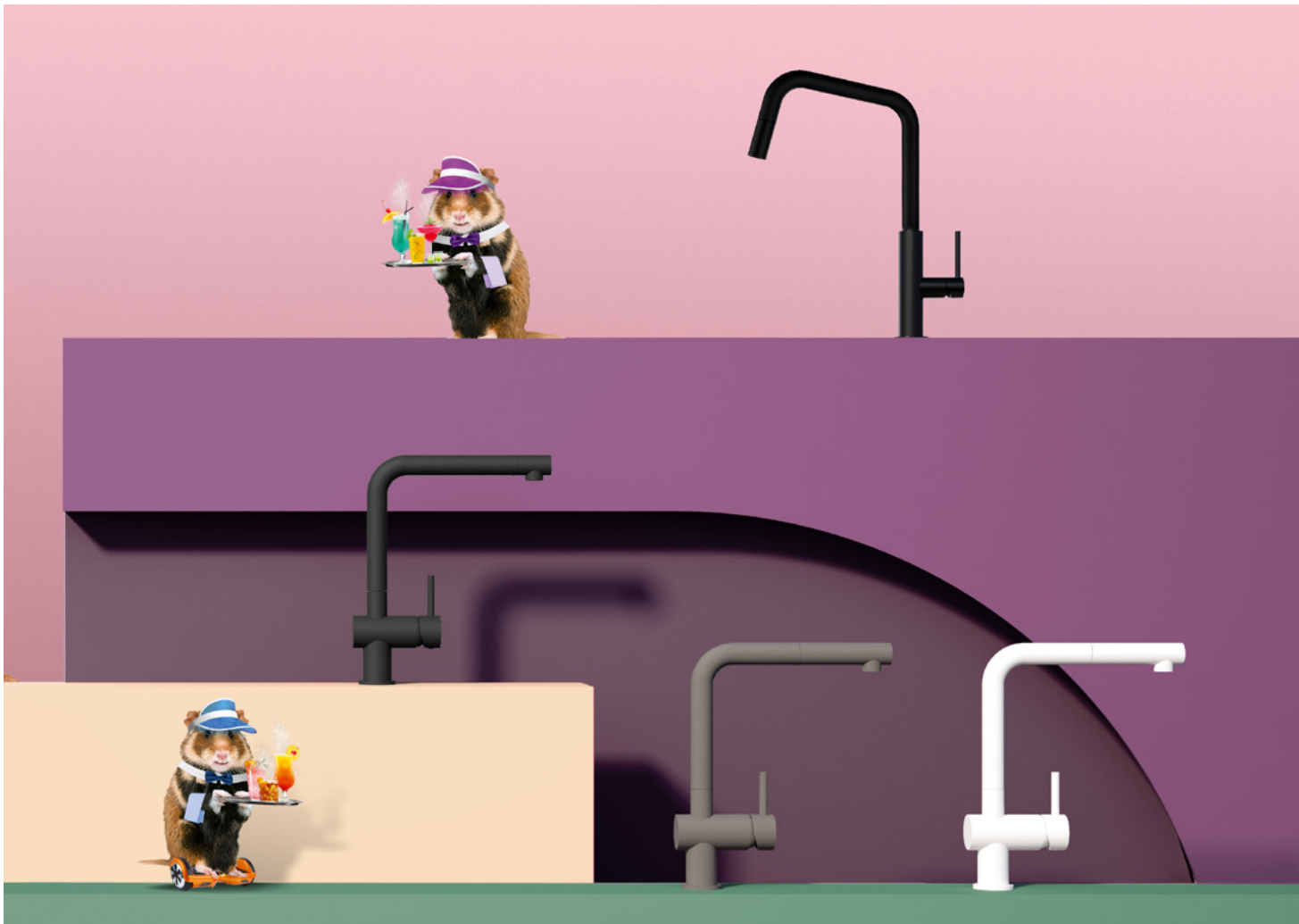
RESI
p. 204

EDM
WGO



SINA
p. 211

EDM



Filtration water



Fixed spout



Pull-out spout



Pull-out spray head



Low-pressure tap

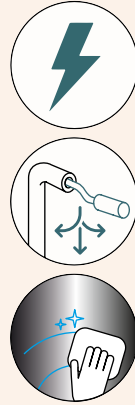
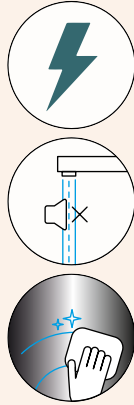


Under-window tap



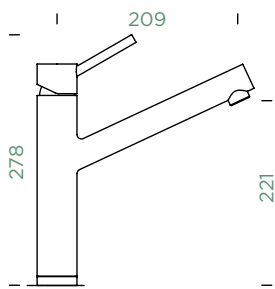
ALTOS

FIXED SPOUT

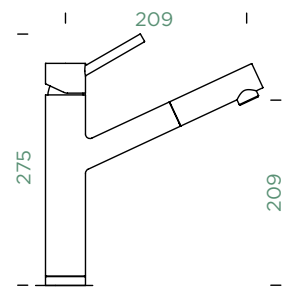


ALTOS

PULL-OUT



Connecting hose: **800 mm**
 Swivel range: **360°**
 Lever position: **at the top**
 Features: **Ultra-quiet aerator, Colour lacquered**

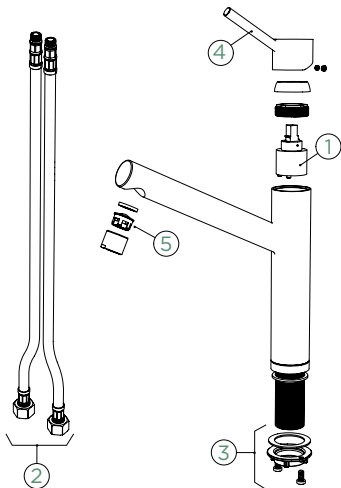


Connecting hose: **800 mm**
 Swivel range: **120°**
 Lever position: **at the top**
 Usable shower hose length: **700 mm**
 Features: **Backflow preventer, Ultra-quiet aerator, Colour lacquered**

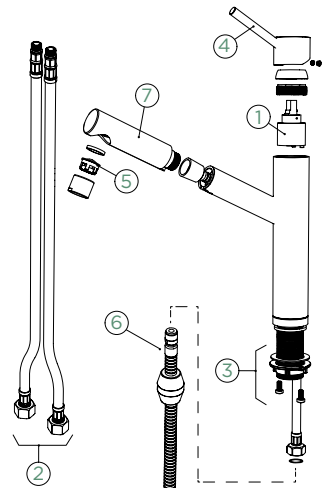
| | FIXED SPOUT | PULL-OUT |
|----|------------------------|------------|
| | METALLIC | |
| | ● 529000 EDM | 529120 EDM |
| LP | ● 529003 EDM | 529123 EDM |
| | CD CLASSIC LINE | |
| | ● 529000 PUR | 529120 PUR |

- 1 628740/1
- 2 628740/3
- 3 628740/2
- 4 628740XXX
- 5 628740/5

- 1 628740/1
- 2 628740/3
- 3 628740/2
- 4 628740XXX
- 5 628740/5
- 6 628740/4
- 7 628741XXX



○ = on stock



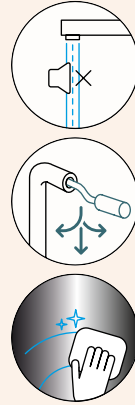
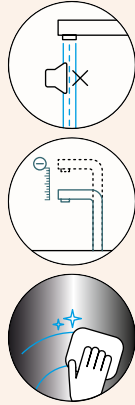
Note: The explosion drawing shows high pressure tap (529000...) including the spare parts. For the low pressure tap (529003...) other spare parts are necessary.

Note: The explosion drawing shows high pressure tap (529120...) including the spare parts. For the low pressure tap (529123...) other spare parts are necessary.



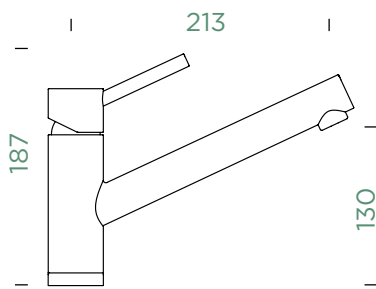
ALTOS S

FIXED SPOUT



ALTOS S

PULL-OUT



Connecting hose: **800 mm**
 Swivel range: **360°**
 Lever position: **at the top**
 Features: **Ultra-quiet aerator, Colour lacquered**

FIXED SPOUT

PULL-OUT

METALLIC

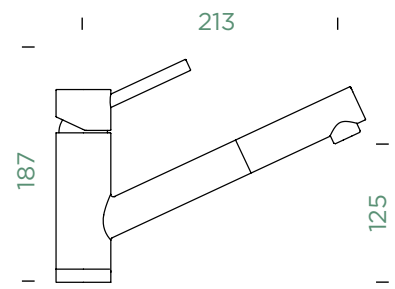
● 530000 EDM

530120 EDM

CD CLASSIC LINE

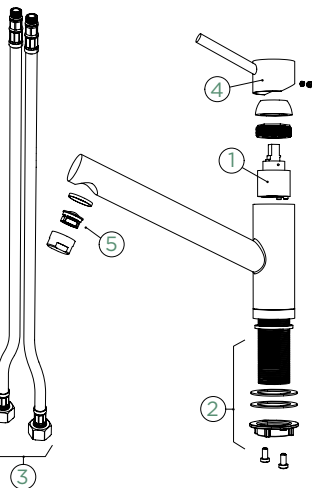
● 530000 PUR

530120 PUR



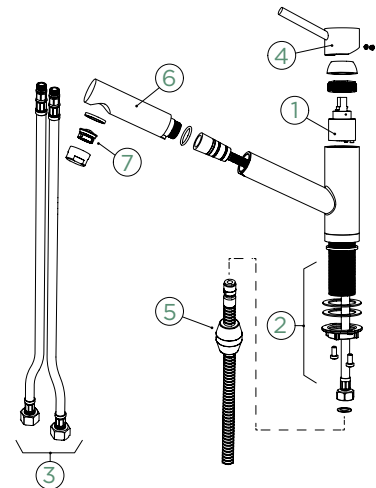
Connecting hose: **800 mm**
 Swivel range: **120°**
 Lever position: **at the top**
 Usable shower hose length: **750 mm**
 Features: **Backflow preventer, Ultra-quiet aerator, Colour lacquered**

- 1 628740/1
- 2 628740/2
- 3 628740/3
- 4 628740XXX
- 5 628740/5



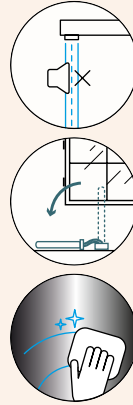
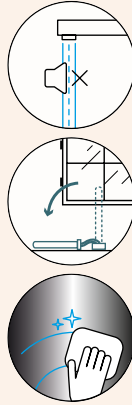
○ = on stock

- 1 628740/1
- 2 628740/2
- 3 628740/3
- 4 628740XXX
- 5 628740/4
- 6 628741XXX
- 7 628740/5



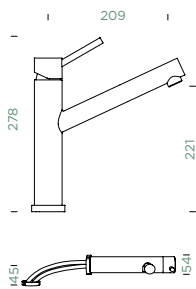


ALTOS W
FIXED SPOUT

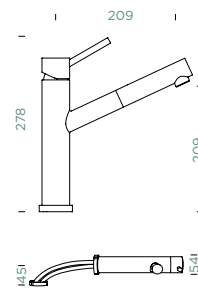


ALTOS W
PULL-OUT

| FIXED SPOUT | PULL-OUT |
|-----------------|--------------|
| METALLIC | |
| ● 529005 EDM | ● 529125 EDM |



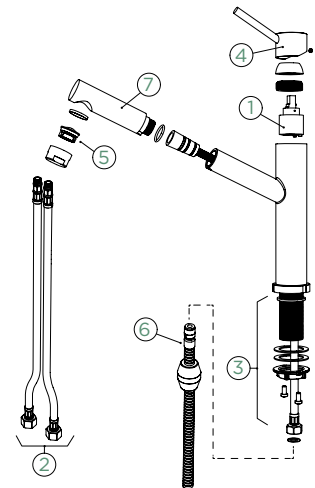
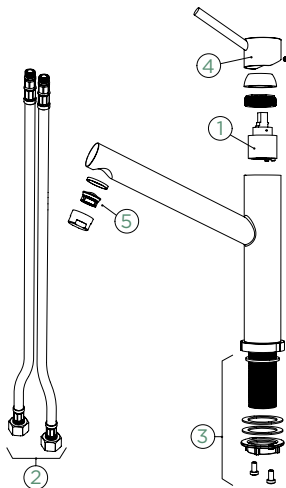
Connecting hose: **800 mm**
Swivel range: **120°**
Lever position: **at the top**
Features: **Window mixer tap, Ultra-quiet aerator**



Connecting hose: **800 mm**
Swivel range: **120°**
Lever position: **at the top**
Usable shower hose length: **700 mm**
Features: **Backflow preventer, Window mixer tap, Ultra-quiet aerator**

- 1 628740/1
- 2 628740/3
- 3 628740/2
- 4 628740EDM
- 5 628740/5

- 1 628740/1
- 2 628740/3
- 3 628740/2
- 4 628740EDM
- 5 628740/5
- 6 628786/4
- 7 628741EDM



○ = on stock

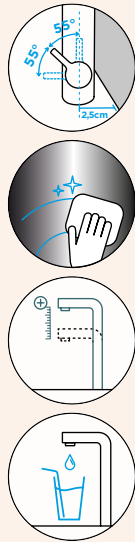
Note: The Altos W can be folded down with the help of a bayonet catch. Depending on the lever position, the height of the mixer tap in the lying position varies between 45 mm and 54 mm.

Note: The Altos W can be folded down with the help of a bayonet catch. Depending on the lever position, the height of the mixer tap in the lying position varies between 45 mm and 54 mm.



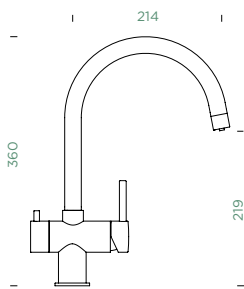
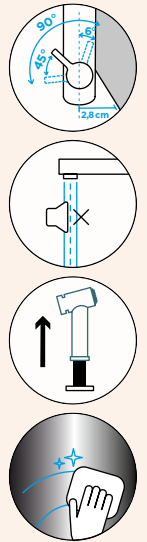
ARES

FIXED SPOUT



CONOS PRO

FIXED SPOUT



Connecting hose: **450 mm**
 Swivel range: **360°**
 Lever position: **on the right**
 Features: **Drinking water function, Colour lacquered**

- 1 628748/1
- 2 628748/7
- 3 628748/3
- 4 628748/2
- 5 628748/4
- 6 628748/6
- 7 628748/5

FIXED SPOUT

METALLIC

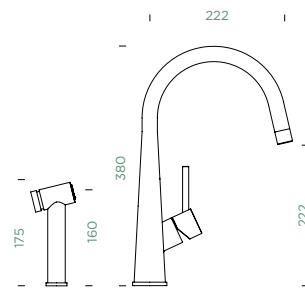
- 561000 EDM

CD CLASSIC LINE

- 561000 PUR
- 561000 MAG
- 561000 STO
- 561000 BRO
- 561000 SIL

CT BASIC LINE

- 561000 GNE
- 561000 GON
- 561000 GAS
- 561000 GMC
- 561000 GBT
- 561000 GCR
- 561000 GSA
- 561000 GMS
- 561000 GEV
- 561000 GDW



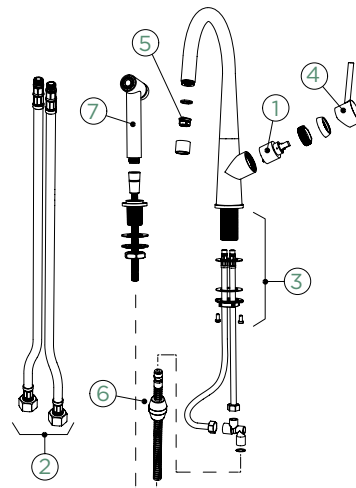
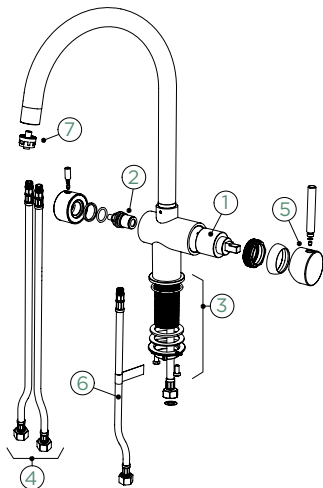
Connecting hose: **800 mm**
 Swivel range: **360°**
 Lever position: **on the right**
 Features: **Backflow preventer, Ultra-quiet aerator, Jet-spray function**

- 1 628741/1
- 2 628740/3
- 3 628740/2
- 4 628793EDM
- 5 628740/5
- 6 628740/4
- 7 628783/1EDM

FIXED SPOUT

METALLIC

- 528006 EDM

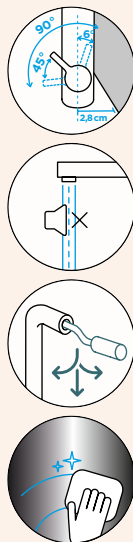
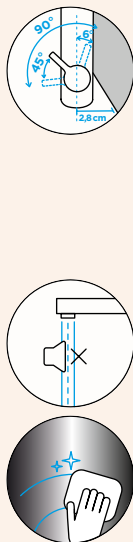


○ = on stock



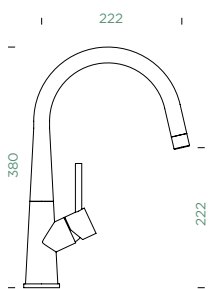
CONOS

FIXED SPOUT



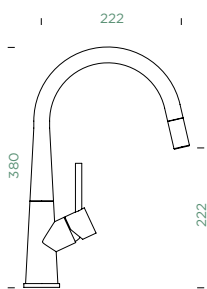
CONOS

PULL-OUT



Connecting hose: **800 mm**
 Swivel range: **360°**
 Lever position: **on the right**
 Features: **Ultra-quiet aerator**

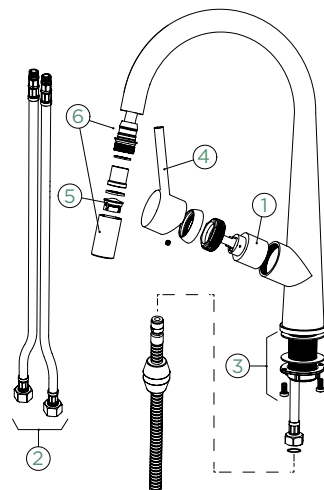
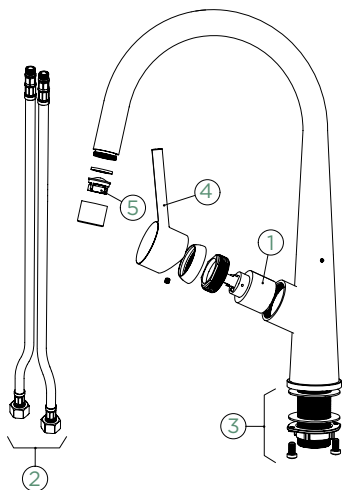
| FIXED SPOUT | PULL-OUT |
|-----------------|------------|
| METALLIC | |
| 528000 EDM | 528120 EDM |



Connecting hose: **800 mm**
 Swivel range: **130°**
 Lever position: **on the right**
 Usable shower hose length: **550 mm**
 Features: **Backflow preventer, Ultra-quiet aerator**

- 1 628741/1
- 2 628740/3
- 3 628740/2
- 4 628793EDM
- 5 628740/5

- 1 628741/1
- 2 628740/3
- 3 628740/2
- 4 628793EDM
- 5 628740/5
- 6 628742EDM

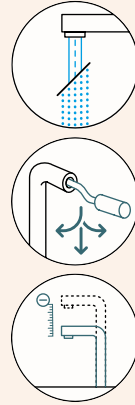
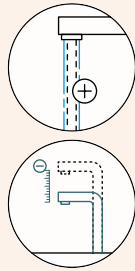


○ = on stock



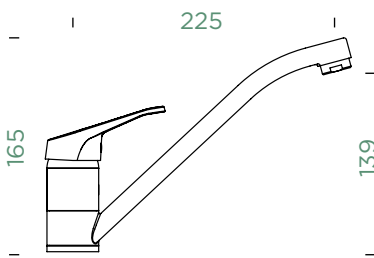
COSMO

FIXED SPOUT



COSMO

PULL-OUT



Connecting hose: **450 mm**
 Swivel range: **360°**
 Lever position: **at the top**
 Features: **Colour lacquered**

FIXED SPOUT

PULL-OUT

METALLIC

● 525001 CHR

525122 CHR

CT BASIC LINE

● 525001 GNE

525122 GNE

● 525001 GON

525122 GON

● 525001 GAS

525122 GAS

● 525001 GMC

525122 GMC

● 525001 GBT

525122 GBT

● 525001 GCR

525122 GCR

● 525001 GSA

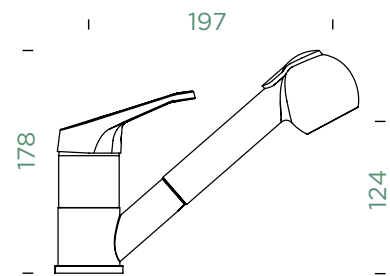
525122 GSA

● 525001 GMS

525122 GMS

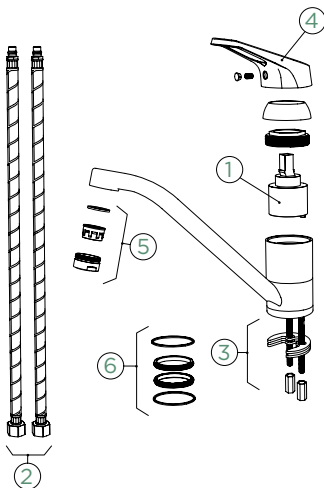
○ 525001 GDW

525122 GDW



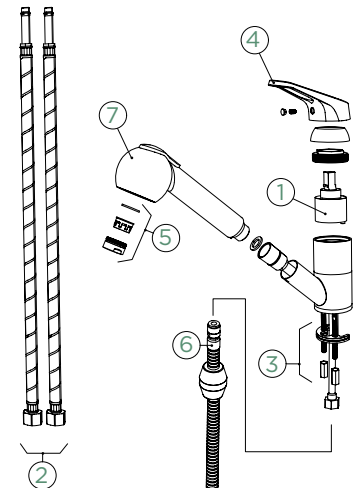
Connecting hose: **450 mm**
 Swivel range: **140°**
 Lever position: **at the top**
 Usable shower hose length: **600 mm**
 Features: **Jet-spray function, Colour lacquered**

- 1 628734/1
- 2 628804/2
- 3 628734/2
- 4 628734XXX
- 5 628734/5
- 6 628734/8



○ = on stock

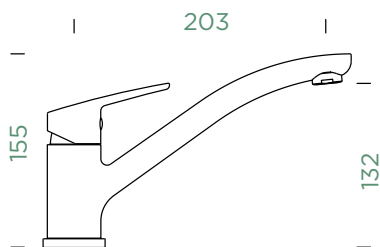
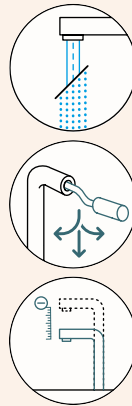
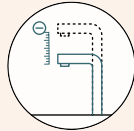
- 1 628734/1
- 2 628735/3
- 3 628735/2
- 4 628734XXX
- 5 628734/5
- 6 628735/4
- 7 628735/7XXX





DAJA

FIXED SPOUT



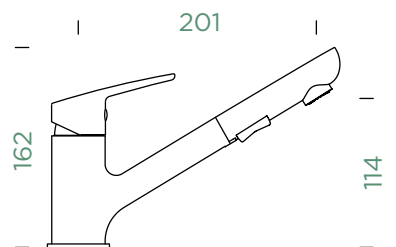
Connecting hose: **450 mm**
 Swivel range: **360°**
 Lever position: **at the top**
 Features: **Colour powder-coated**

| FIXED SPOUT | PULL-OUT |
|----------------------|------------|
| METALLIC | |
| ● 522000 CHR | 522120 CHR |
| CT BASIC LINE | |
| ● 522000 GNE | 522120 GNE |
| ● 522000 GON | 522120 GON |
| ● 522000 GAS | 522120 GAS |
| ● 522000 GCR | 522120 GCR |
| ● 522000 GMS | 522120 GMS |



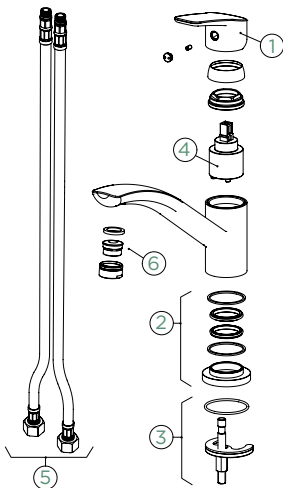
DAJA

PULL-OUT

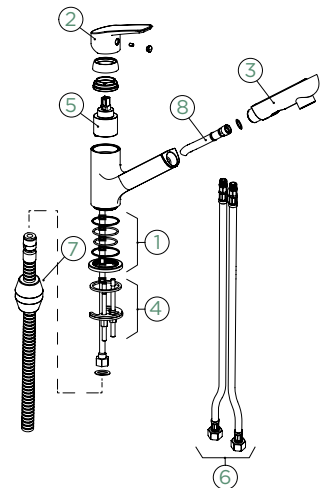


Connecting hose: **450 mm**
 Swivel range: **120°**
 Lever position: **at the top**
 Usable shower hose length: **700 mm**
 Features: **Backflow preventer, Jet-spray function, Colour powder-coated**

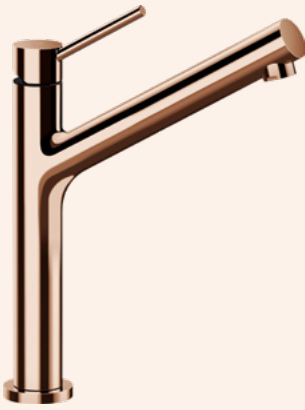
- 1 628790/XXX
- 2 628790/7
- 3 628790/2
- 4 628790/1
- 5 628790/3
- 6 628790/5



- 1 628791/7
- 2 628790/XXX
- 3 628791/CHR
- 4 628791/2
- 5 628790/1
- 6 628791/3
- 7 628791/4
- 8 628791/6

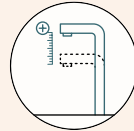
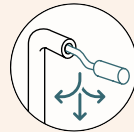
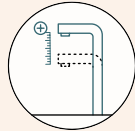


○ = on stock



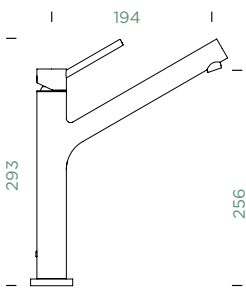
DION

FIXED SPOUT



DION

PULL-OUT



Connecting hose: **500 mm**
 Swivel range: **120°**
 Lever position: **at the top**
 Features: **Colours PVD, powder-coated**

FIXED SPOUT

PULL-OUT

METALLIC

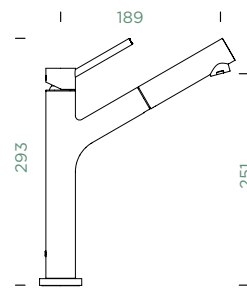
- 510000 CHR
- 510000 WGO
- 510000 COP
- 510000 GUM

510120 CHR

CD CLASSIC LINE

- 510000 PUR
- 510000 MAG

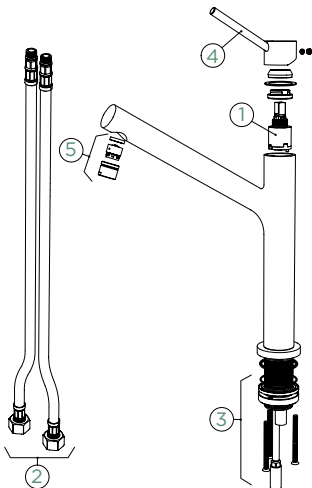
510120 PUR
 510120 MAG



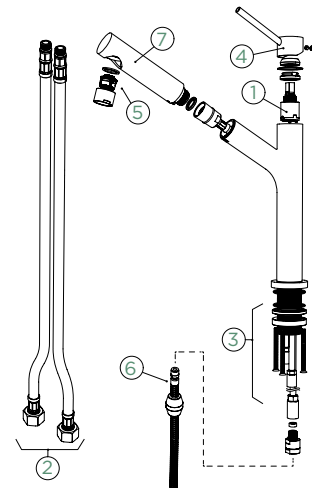
Connecting hose: **500 mm**
 Swivel range: **120°**
 Lever position: **at the top**
 Usable shower hose length: **600 mm**
 Features: **Backflow preventer, Colour powder-coated**

- 1 628744/1
- 2 628743/2
- 3 628743/3
- 4 628774XXX
- 5 628743/4XXX

- 1 628744/1
- 2 628743/2
- 3 628743/3
- 4 628774CHR
- 5 628774/4
- 6 628774/6
- 7 628774/5



○ = on stock



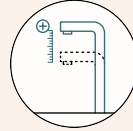
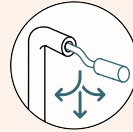
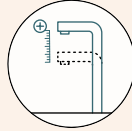
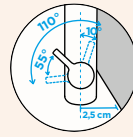
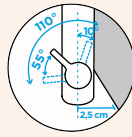
The taps in the colours WGO, COP and GUM will be delivered completely colored. For the colours PUR and MAG the socket, the handle and the shower head will be delivered in chrome colour.

For the colours PUR and MAG the socket, the handle and the shower head will be delivered in chrome colour.



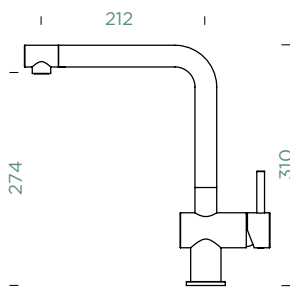
EPOS

FIXED SPOUT



EPOS

PULL-OUT



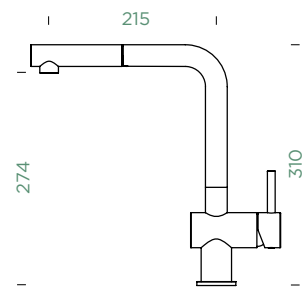
Connecting hose: **450 mm**
 Swivel range: **360°**
 Lever position: **on the right**
 Features: **Colour lacquered**

FIXED SPOUT

PULL-OUT

CT BASIC LINE

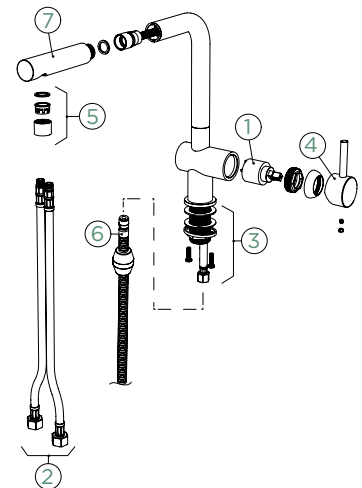
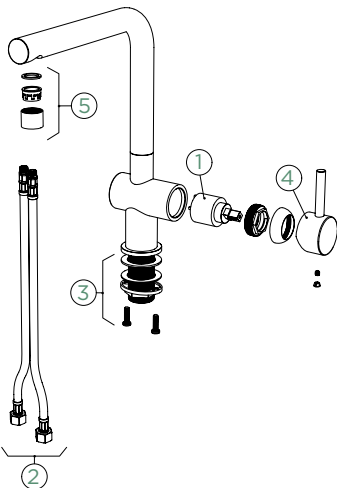
| | |
|--------------|------------|
| ● 540000 GNE | 540120 GNE |
| ● 540000 GON | 540120 GON |
| ● 540000 GAS | 540120 GAS |
| ● 540000 GMC | 540120 GMC |
| ● 540000 GBT | 540120 GBT |
| ● 540000 GCR | 540120 GCR |
| ● 540000 GSA | 540120 GSA |
| ● 540000 GMS | 540120 GMS |
| ○ 540000 GDW | 540120 GDW |



Connecting hose: **450 mm**
 Swivel range: **180°**
 Lever position: **on the right**
 Usable shower hose length: **350 mm**
 Features: **Backflow preventer, Colour lacquered**

- 1 628737/1
- 2 628804/2
- 3 628736/2
- 4 628736XXX
- 5 628741/5XXX

- 1 628737/1
- 2 628759/3
- 3 628736/2
- 4 628736XXX
- 5 628741/5XXX
- 6 628736/6
- 7 628739XXX



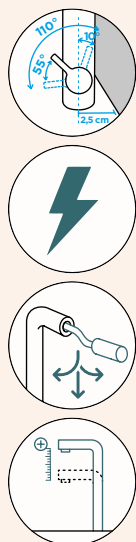
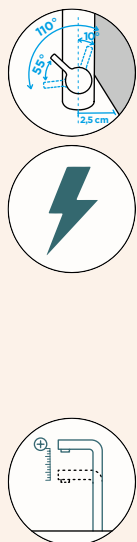
○ = on stock

SCHOCK



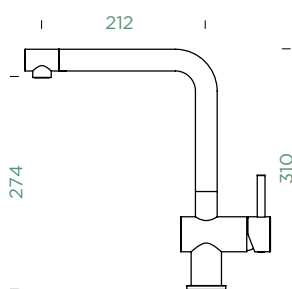
EPOS

FIXED SPOUT



EPOS

PULL-OUT



Connecting hose: **450 mm**
 Swivel range: **360°**
 Lever position: **on the right**
 Features: **Colour lacquered**

FIXED SPOUT

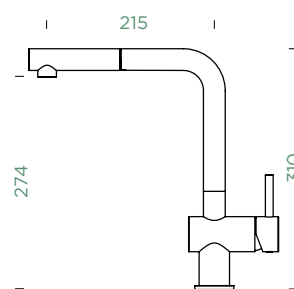
PULL-OUT

METALLIC

- | | | |
|----|--------------|------------|
| LP | ● 540000 CHR | 540120 CHR |
| | ● 540003 CHR | 540123 CHR |

CD CLASSIC LINE

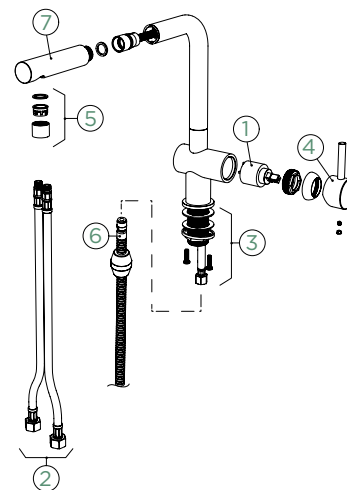
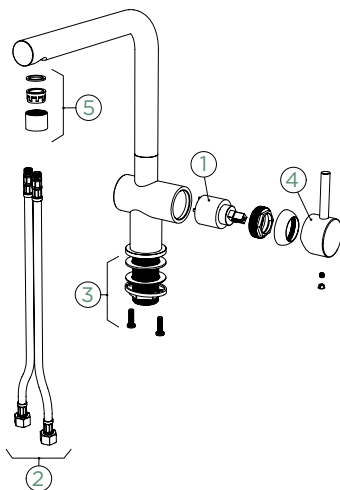
- | | | |
|----|--------------|------------|
| LP | ● 540003 PUR | 540123 PUR |
| | ● 540027 PUR | 540127 PUR |
| | ● 540027 MAG | 540127 MAG |
| | ● 540027 STO | 540127 STO |
| | ● 540027 BRO | 540127 BRO |
| | ● 540027 SIL | 540127 SIL |
| | ○ 540027 POL | 540127 POL |



Connecting hose: **450 mm**
 Swivel range: **180°**
 Lever position: **on the right**
 Usable shower hose length: **350 mm**
 Features: **Backflow preventer, Colour lacquered**

- 1 628737/1
- 2 628804/2
- 3 628736/2
- 4 628736XXX
- 5 628741/5XXX

- 1 628737/1
- 2 628759/3
- 3 628736/2
- 4 628736XXX
- 5 628741/5XXX
- 6 628736/6
- 7 628739XXX



○ = on stock

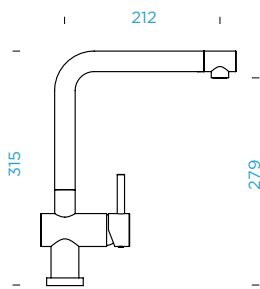
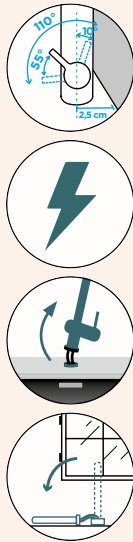
Note: The explosion drawing shows high pressure tap (540000.../540027...) including the spare parts. For the low pressure tap (540003...) other spare parts are necessary.

Note: The explosion drawing shows high pressure tap (540120.../540127...) including the spare parts. For the low pressure tap (540123...) other spare parts are necessary.



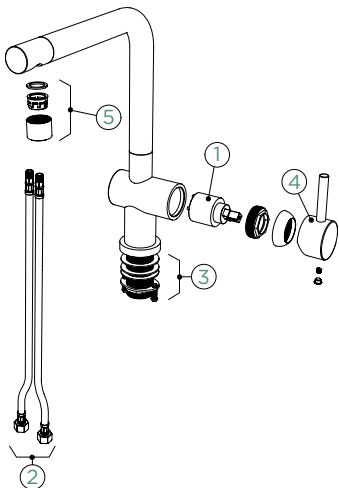
EPOS W

FIXED SPOUT

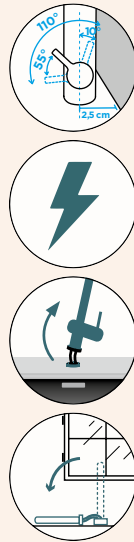


Connecting hose: **750 mm**
 Swivel range: **360°**
 Lever position: **on the right**
 Features: **Window mixer tap, Colour lacquered**

- 1 628809/2
- 2 628809/3
- 3 628736XXX
- 4 628737/1
- 5 628809/5XXX

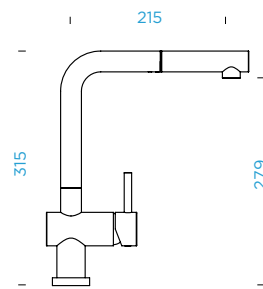


| FIXED SPOUT | PULL-OUT |
|------------------------|------------|
| METALLIC | |
| ● 540005 CHR | 540125 CHR |
| ⚡ ● 540008 CHR | |
| CD CLASSIC LINE | |
| ● 540005 PUR | 540125 PUR |
| ⚡ ● 540008 PUR | |



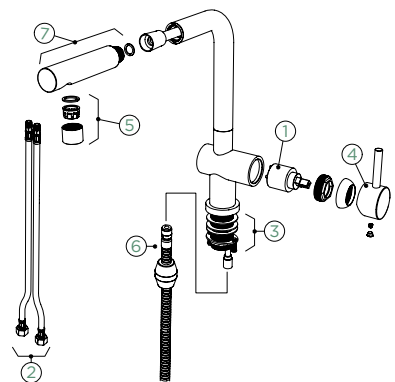
EPOS W

PULL-OUT

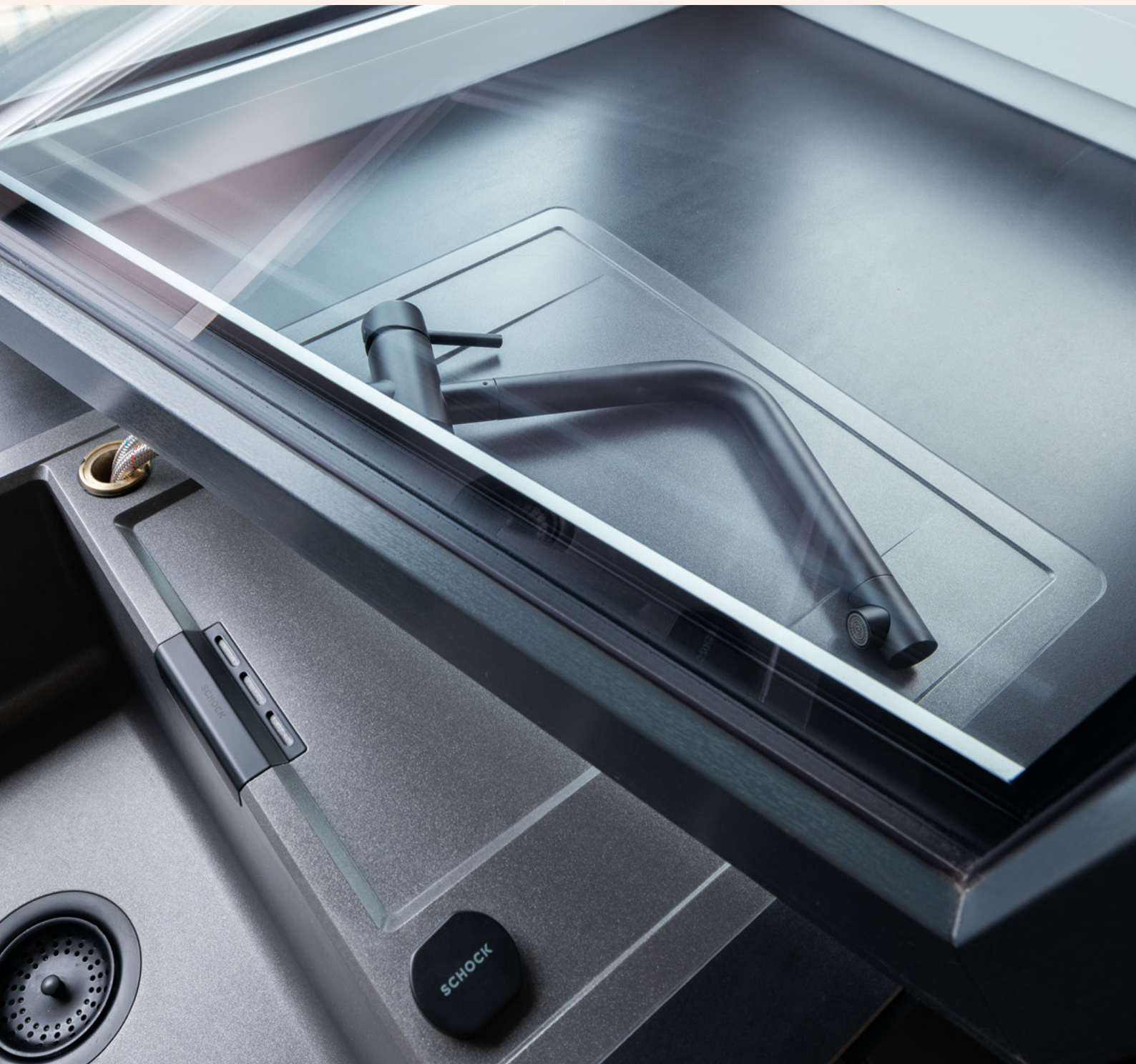


Connecting hose: **750 mm**
 Swivel range: **180°**
 Lever position: **on the right**
 Usable shower hose length: **500 mm**
 Features: **Backflow preventer, Window mixer tap, Colour lacquered**

- 1 628809/8
- 2 628809/3
- 3 628736/6
- 4 628736XXX
- 5 628737/1
- 6 628809/5XXX
- 7 628739XXX



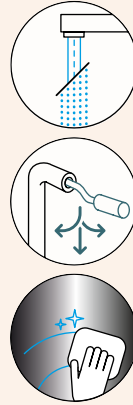
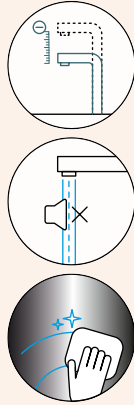
○ = on stock





EVINAS

FIXED SPOUT



EVINAS

PULL-OUT

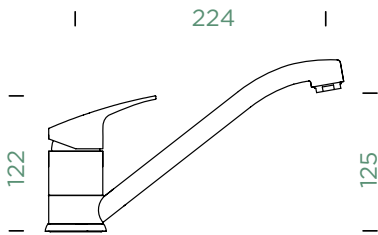
FIXED SPOUT

PULL-OUT

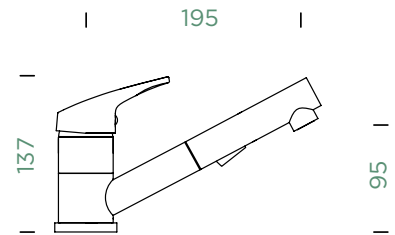
METALLIC

577000 EDM

577120 EDM



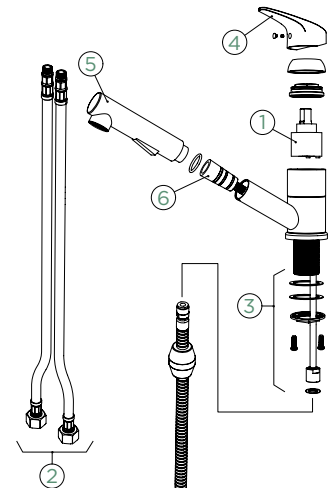
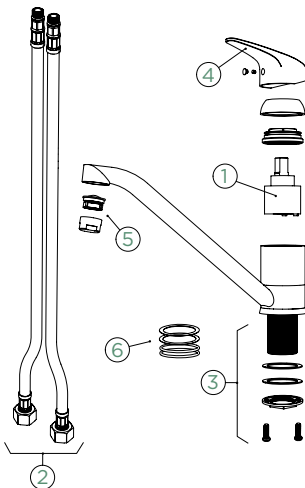
Connecting hose: **450 mm**
 Swivel range: **360°**
 Lever position: **at the top**
 Features: **Ultra-quiet aerator**



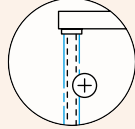
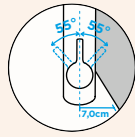
Connecting hose: **450 mm**
 Swivel range: **120°**
 Lever position: **at the top**
 Usable shower hose length: **600 mm**
 Features: **Backflow preventer, Jet-spray function**

- 1 628794/1
- 2 628748/2
- 3 628778/2
- 4 628794EDM
- 5 628740/5
- 6 628794/8

- 1 628794/1
- 2 628748/2
- 3 628795/3
- 4 628795EDM
- 5 628795/7
- 6 628795/6

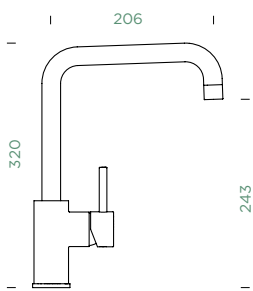


○ = on stock



FONOS

FIXED SPOUT



Connecting hose: **450 mm**
 Swivel range: **360°**
 Lever position: **reversible**
 Features: **Temperature limiter, Colour lacquered**

FIXED SPOUT

METALLIC

● 538000 CHR

CT BASIC LINE

● 538000 GNE

● 538000 GON

● 538000 GAS

● 538000 GMC

● 538000 GCR

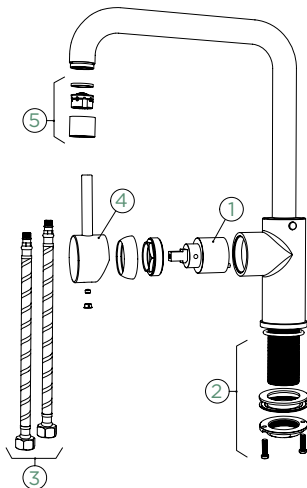
● 538000 GSA

● 538000 GMS

● 538000 GEV

○ 538000 GDW

- 1 628736/1
- 2 628736/2
- 3 628734/3
- 4 628736XXX
- 5 628737/5



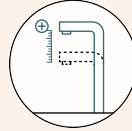
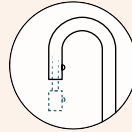
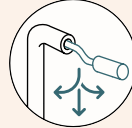
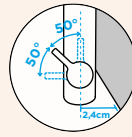
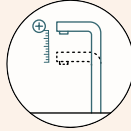
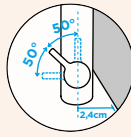
○ = on stock





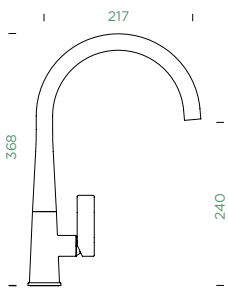
GOTA

FIXED SPOUT



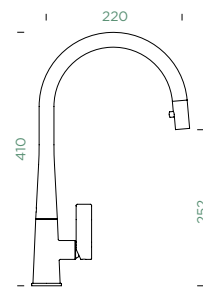
GOTA

PULL-OUT



Connecting hose: **450 mm**
 Swivel range: **360°**
 Lever position: **on the right**
 Features: **Colour lacquered**

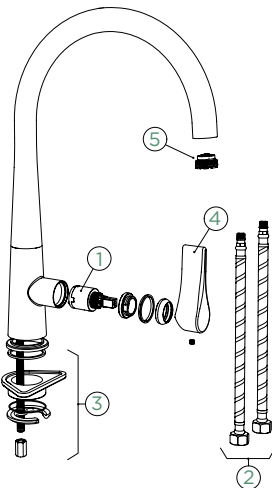
| FIXED SPOUT | PULL-OUT |
|------------------------|------------|
| METALLIC | |
| ● 521000 CHR | 521120 CHR |
| ● 521000 S | 521120 S |
| ○ 521000 W | 521120 W |
| CD CLASSIC LINE | |
| ● 521000 MAG | 521120 MAG |
| ● 521000 STO | 521120 STO |
| ● 521000 BRO | 521120 BRO |
| ● 521000 SIL | 521120 SIL |



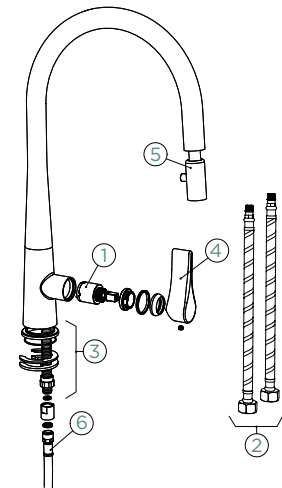
Connecting hose: **450 mm**
 Swivel range: **360°**
 Lever position: **on the right**
 Usable shower hose length: **450 mm**
 Features: **Backflow preventer, Colour lacquered**

- 1 628745/1
- 2 628745/2
- 3 628745/3
- 4 628745/X
- 5 628745/5

- 1 628745/1
- 2 628746/2
- 3 628746/3
- 4 628745/X
- 5 628746/7
- 6 628746/6



○ = on stock



Note: The aerator is equipped with a coin slot and can be easily changed with a coin.

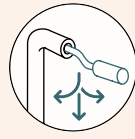
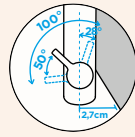
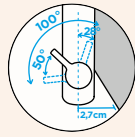
Note: The aerator is equipped with a coin slot and can be easily changed with a coin.

SCHOCK



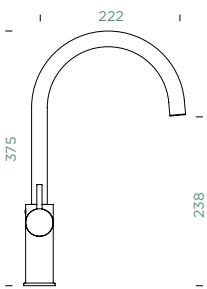
HEKATE

FIXED SPOUT



HEKATE

PULL-OUT

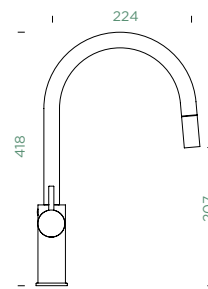


Connecting hose: **400 mm**

Swivel range: **360°**

Lever position: **on the right**

Features: **Temperature limiter, Water saving function, Colour powder-coated**



Connecting hose: **450 mm**

Swivel range: **180°**

Lever position: **on the right**

Usable shower hose length: **550 mm**
 Features: **Backflow preventer, Jet-spray function, Temperature limiter, Water saving function, Colour powder-coated**

FIXED SPOUT

PULL-OUT

METALLIC

● 549000 CHR

549120 CHR

● 549000 S

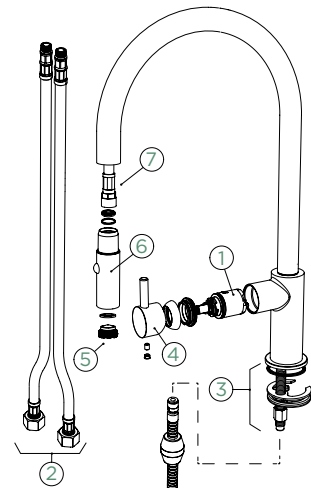
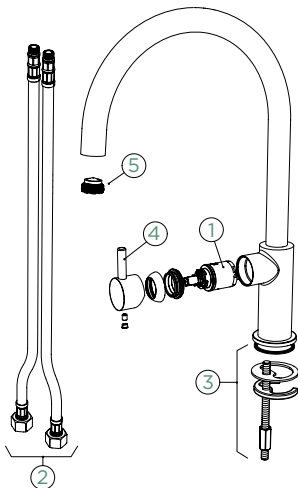
549120 S

○ 549000 W

549120 W

- 1 628720/1
- 2 628663/3
- 3 628733/2
- 4 628677/CHR
- 5 628677/5

- 1 628720/1
- 2 628677/3
- 3 628733/2
- 4 628677/CHR
- 5 628677/5
- 6 628677/4CHR
- 7 628675/4



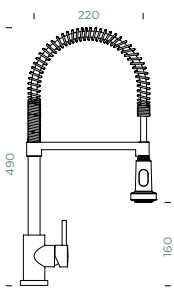
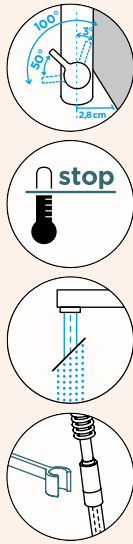
○ = on stock

Note: The aerator key is included in the scope of supply.



KARPO

FIXED SPOUT



FIXED SPOUT

METALLIC

593120 CHR

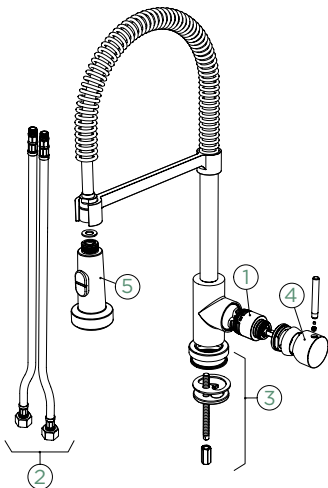
Connecting hose: **400 mm**

Swivel range: **360°**

Lever position: **on the right**

Features: **Backflow preventer, Jet-spray function, Temperature limiter**

- 1 628663/1
- 2 628663/3
- 3 628663/2
- 4 628663/CHR
- 5 628663/4CHR



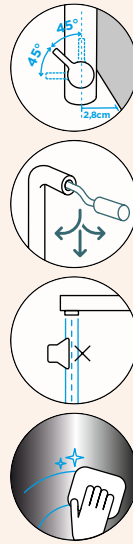
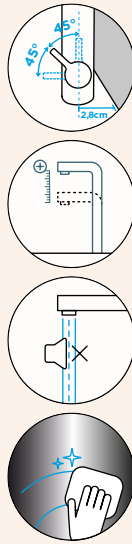
○ = on stock





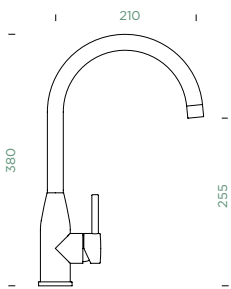
KAVUS

FIXED SPOUT



KAVUS

PULL-OUT



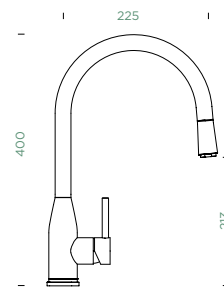
Connecting hose: **450 mm**
 Swivel range: **360°**
 Lever position: **on the right**
 Features: **Ultra-quiet aerator, Colour lacquered**

FIXED SPOUT

PULL-OUT

CT BASIC LINE

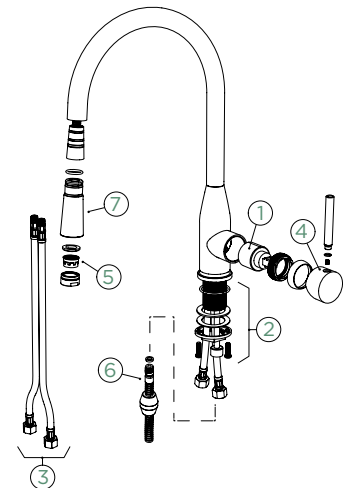
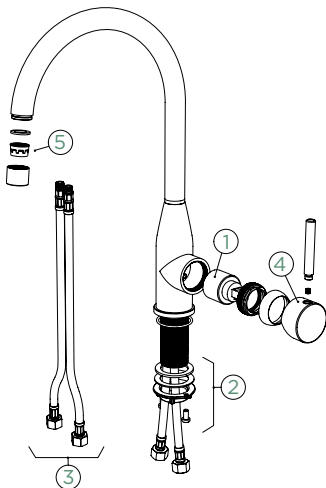
- | | |
|--------------|------------|
| ● 559000 GNE | 559120 GNE |
| ● 559000 GON | 559120 GON |
| ● 559000 GAS | 559120 GAS |
| ● 559000 GMC | 559120 GMC |
| ● 559000 GSA | 559120 GSA |
| ● 559000 GMS | 559120 GMS |
| ● 559000 GDW | 559120 GDW |



Connecting hose: **450 mm**
 Swivel range: **360°**
 Lever position: **on the right**
 Usable shower hose length: **350 mm**
 Features: **Backflow preventer, Ultra-quiet aerator, Colour lacquered**

- 1 628778/1
- 2 628778/2
- 3 628748/2
- 4 628748/XXX
- 5 628740/5

- 1 628778/1
- 2 628780/2
- 3 628749/2
- 4 628789/XXX
- 5 628740/5
- 6 628789/8
- 7 628789/1XXX



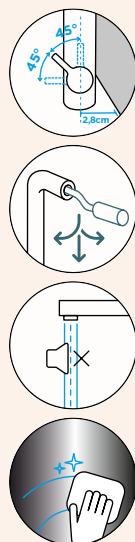
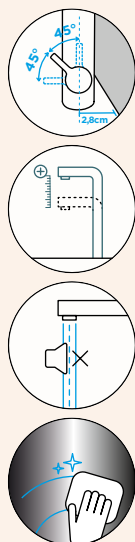
○ = on stock

SCHOCK



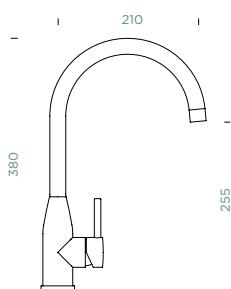
KAVUS

FIXED SPOUT



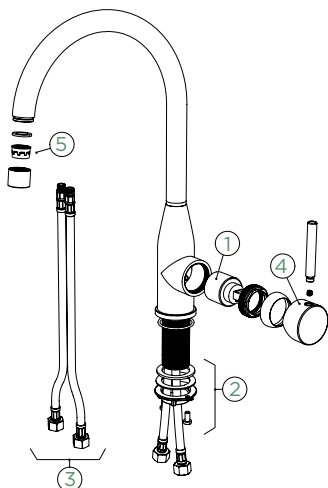
KAVUS

PULL-OUT



Connecting hose: **450 mm**
 Swivel range: **360°**
 Lever position: **on the right**
 Features: **Ultra-quiet aerator, Colour lacquered**

- 1 628778/1
- 2 628778/2
- 3 628748/2
- 4 628748/XXX
- 5 628740/5



○ = on stock

FIXED SPOUT

METALLIC

- 559000 EDM
- 559000 WGO
- 559000 COP
- 559000 GUM

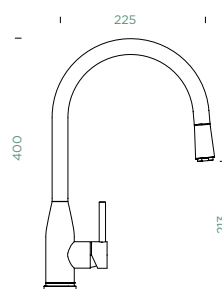
CD CLASSIC LINE

- 559027 PUR

PULL-OUT

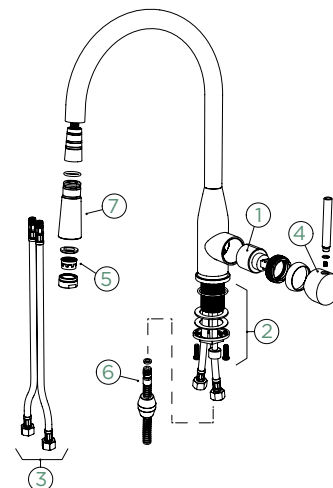
- 559120 EDM
- 559120 WGO
- 559120 COP
- 559120 GUM

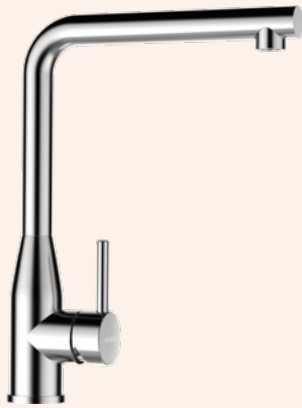
- 559127 PUR



Connecting hose: **450 mm**
 Swivel range: **360°**
 Lever position: **on the right**
 Usable shower hose length: **350 mm**
 Features: **Backflow preventer, Ultra-quiet aerator, Colour lacquered**

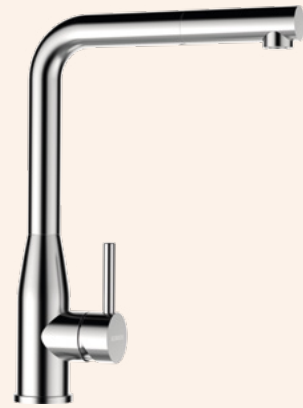
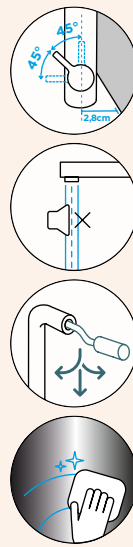
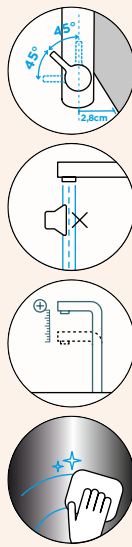
- 1 628778/1
- 2 628780/2
- 3 628749/2
- 4 628789/XXX
- 5 628740/5
- 6 628789/8
- 7 628789/1XXX





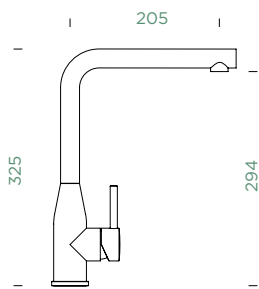
KETO

FIXED SPOUT



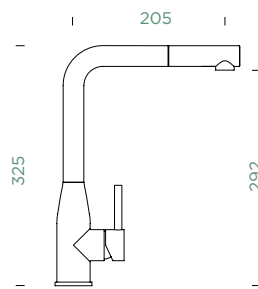
KETO

PULL-OUT



Connecting hose: **450 mm**
 Swivel range: **360°**
 Lever position: **on the right**
 Features: **Ultra-quiet aerator, Colours PVD, lacquered**

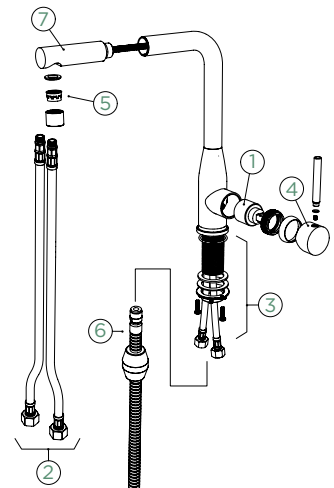
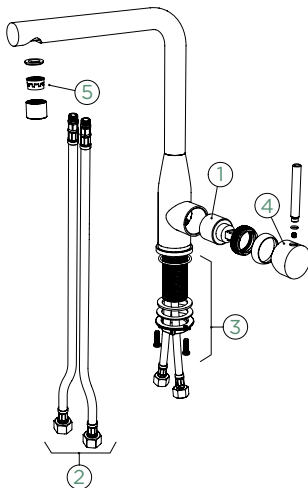
| FIXED SPOUT | PULL-OUT |
|------------------------|------------|
| METALLIC | |
| ● 518000 EDM | 518120 EDM |
| ● 518000 WGO | 518120 WGO |
| ● 518000 COP | 518120 COP |
| ● 518000 GUM | 518120 GUM |
| CD CLASSIC LINE | |
| ● 518027 PUR | 518127 PUR |



Connecting hose: **450 mm**
 Swivel range: **180°**
 Lever position: **on the right**
 Usable shower hose length: **350 mm**
 Features: **Backflow preventer, Ultra-quiet aerator, Colours PVD, lacquered**

- 1 628778/1
- 2 628748/2
- 3 628778/2
- 4 628748/XXX
- 5 628740/5

- 1 628778/1
- 2 628749/2
- 3 628780/2
- 4 628789/XXX
- 5 628740/5
- 6 628789/8
- 7 628778/7XXX



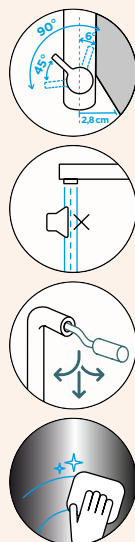
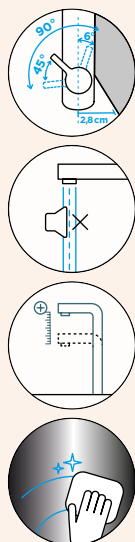
○ = on stock

SCHOCK



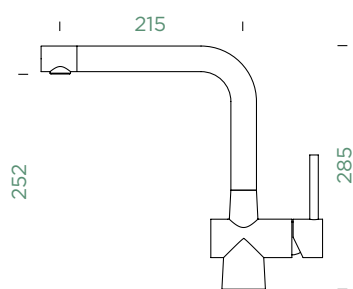
LAIOS

FIXED SPOUT



LAIOS

PULL-OUT



Connecting hose: **800 mm**
Swivel range: **360°**
Lever position: **on the right**
Features: **Ultra-quiet aerator, Colours lacquered, PVD**

FIXED SPOUT

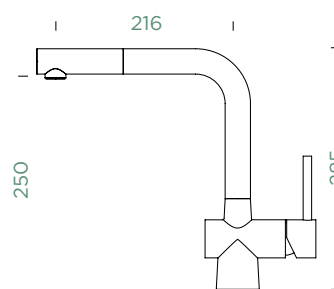
PULL-OUT

METALLIC

- | | |
|--------------|------------|
| ● 517000 EDM | 517120 EDM |
| ● 517000 WGO | 517120 WGO |
| ● 517000 COP | 517120 COP |
| ● 517000 GUM | 517120 GUM |

CD CLASSIC LINE

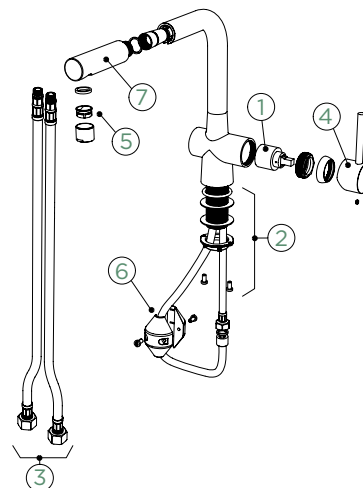
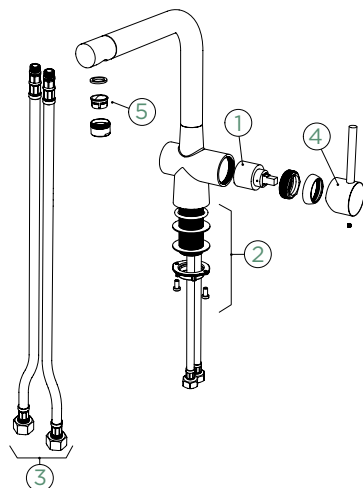
- | | |
|--------------|------------|
| ● 517000 PUR | 517120 PUR |
| ● 517000 MAG | 517120 MAG |
| ● 517000 STO | 517120 STO |
| ● 517000 BRO | 517120 BRO |
| ● 517000 SIL | 517120 SIL |
| ○ 517000 POL | 517120 POL |



Connecting hose: **800 mm**
Swivel range: **360°**
Lever position: **on the right**
Usable shower hose length: **700 mm**
Features: **Backflow preventer, Ultra-quiet aerator, Colours lacquered, PVD**

- 1 628741/1
- 2 628740/2
- 3 628740/3
- 4 628781XXX
- 5 628740/5

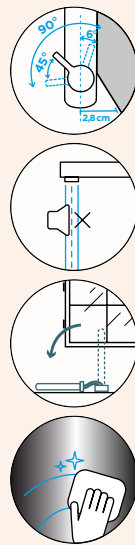
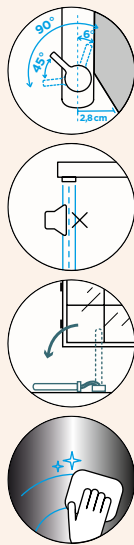
- 1 628741/1
- 2 628740/2
- 3 628740/3
- 4 628781XXX
- 5 628740/5
- 6 628740/4
- 7 628741XXX



○ = on stock



LAIOS W
FIXED SPOUT



LAIOS W
PULL-OUT

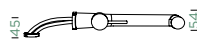
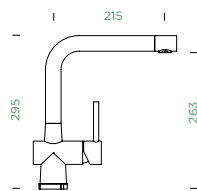
FIXED SPOUT

PULL-OUT

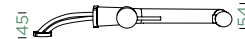
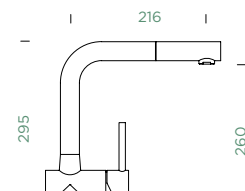
METALLIC

517005 EDM

517125 EDM

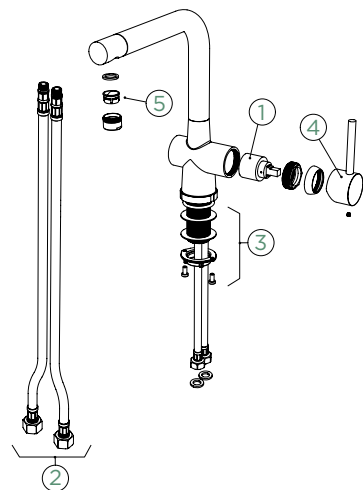


Connecting hose: **800 mm**
Swivel range: **360°**
Lever position: **on the right**
Features: **Window mixer tap, Ultra-quiet aerator**

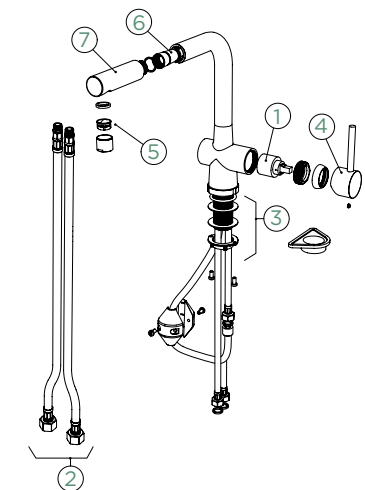


Connecting hose: **800 mm**
Swivel range: **360°**
Lever position: **on the right**
Usable shower hose length: **750 mm**
Features: **Backflow preventer, Window mixer tap, Ultra-quiet aerator**

- 1 628741/1
- 2 628740/3
- 3 628781/3
- 4 628781EDM
- 5 628740/5



- 1 628741/1
- 2 628740/3
- 3 628781/3
- 4 628781EDM
- 5 628740/5
- 6 628740/4
- 7 628741EDM

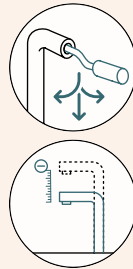
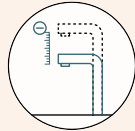


○ = on stock



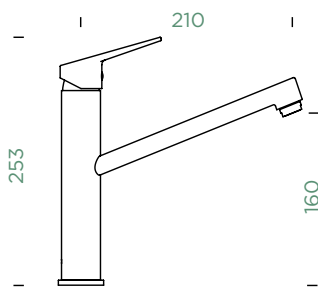
METIS

FIXED SPOUT



METIS

PULL-OUT



Connecting hose: **450 mm**
 Swivel range: **360°**
 Lever position: **at the top**

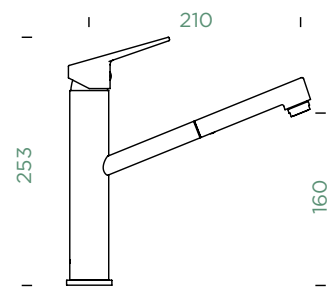
FIXED SPOUT

PULL-OUT

METALLIC

- 526000 CHR
- 526000 EDO

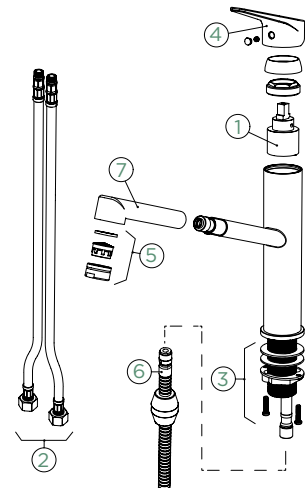
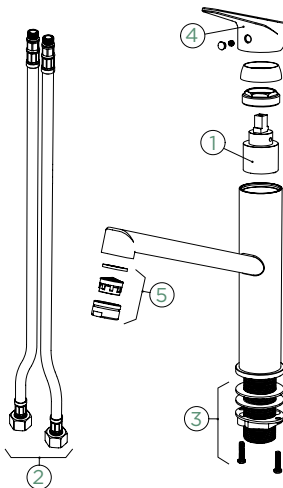
- 526120 CHR
- 526120 EDO



Connecting hose: **450 mm**
 Swivel range: **120°**
 Lever position: **at the top**
 Usable shower hose length: **400 mm**
 Features: **Backflow preventer**

- 1 628804/1
- 2 628804/2
- 3 628736/2
- 4 628804/XXX
- 5 628734/5XXX

- 1 628804/1
- 2 628759/3
- 3 628736/2
- 4 628804/XXX
- 5 628734/5XXX
- 6 628804/6
- 7 628804/7XXX

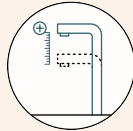
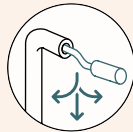
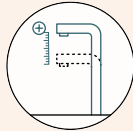
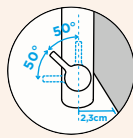
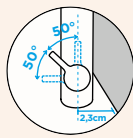


○ = on stock



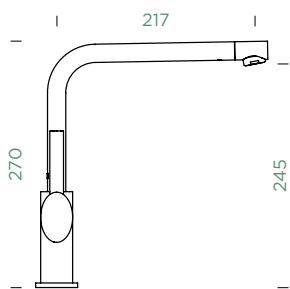
NIMBUS

FIXED SPOUT

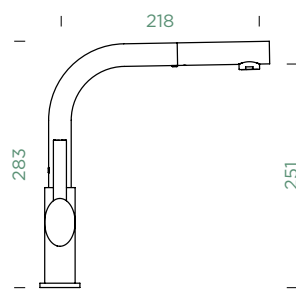


NIMBUS

PULL-OUT



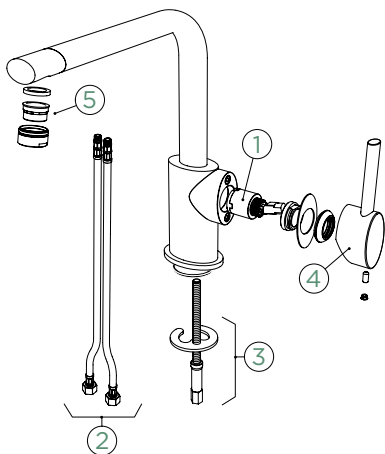
Connecting hose: **470 mm**
 Swivel range: **360°**
 Lever position: **on the right**
 Features: **Colour powder-coated**



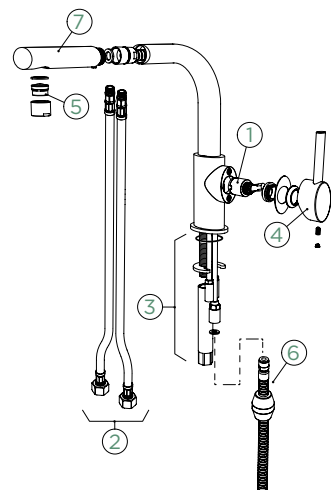
Connecting hose: **470 mm**
 Swivel range: **130°**
 Lever position: **on the right**
 Usable shower hose length: **550 mm**
 Features: **Backflow preventer, Colour powder-coated**

| FIXED SPOUT | PULL-OUT |
|------------------------|------------|
| METALLIC | |
| 523000 CHR | 523120 CHR |
| CD CLASSIC LINE | |
| 523000 PUR | 523120 PUR |
| 523000 MAG | 523120 MAG |

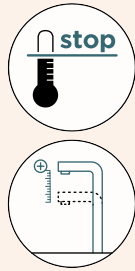
- 1 628660/1
- 2 628660/3
- 3 628660/2
- 4 628660/CHR
- 5 628660/5



- 1 628660/1
- 2 628661/3
- 3 628661/2
- 4 628660/CHR
- 5 628661/5
- 6 628661/4
- 7 628661/CHR

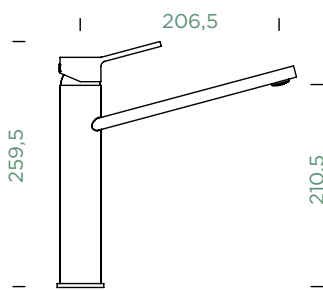


○ = on stock



PAPILIO

FIXED SPOUT



Connecting hose: **550 mm**
 Swivel range: **140°**
 Lever position: **at the top**
 Features: **Temperature limiter,**
Colour lacquered

FIXED SPOUT

METALLIC

● 588000 CHR

CD CLASSIC LINE

● 588000 PUR

● 588000 MAG

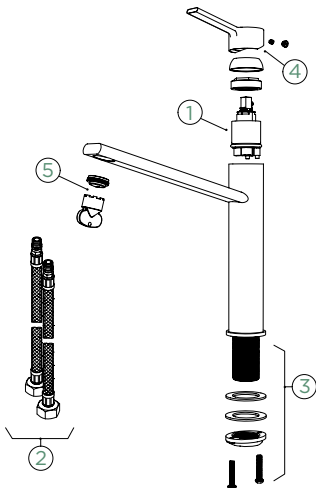
● 588000 STO

● 588000 BRO

● 588000 SIL

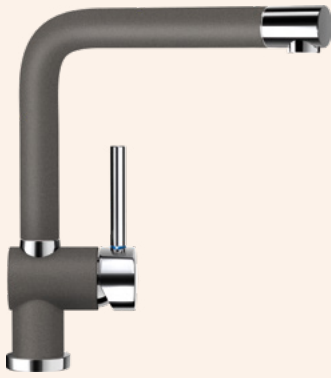
○ 588000 POL

- 1 628798/1
- 2 628798/2
- 3 628798/3
- 4 628798XXX
- 5 628798/5



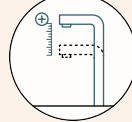
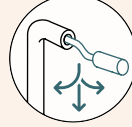
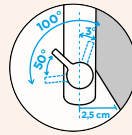
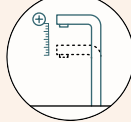
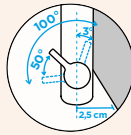
○ = on stock





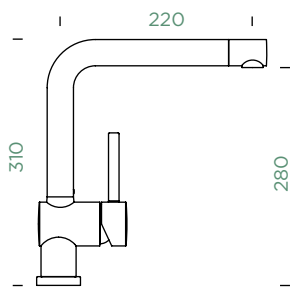
PIEGA

FIXED SPOUT

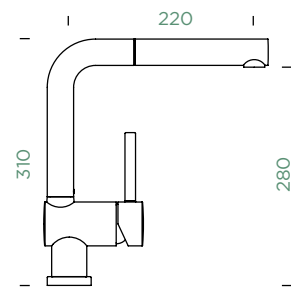


PIEGA

PULL-OUT



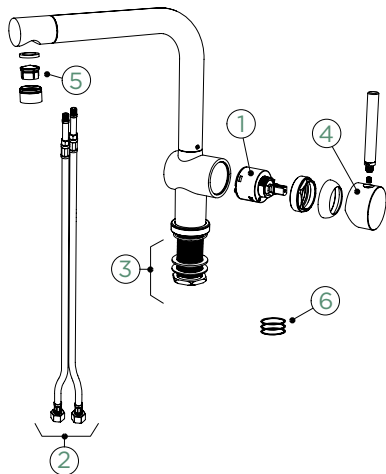
Connecting hose: **550 mm**
 Swivel range: **360°**
 Lever position: **on the right**
 Features: **Temperature limiter, Colour powder-coated**



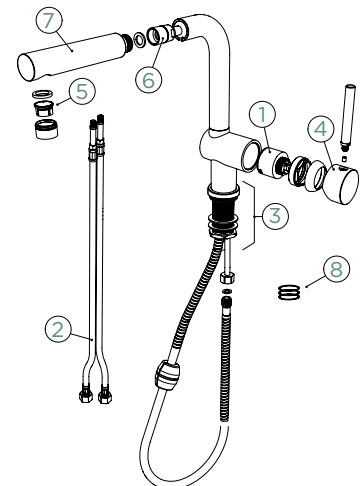
Connecting hose: **550 mm**
 Swivel range: **360°**
 Lever position: **on the right**
 Usable shower hose length: **500 mm**
 Features: **Backflow preventer, Temperature limiter, Colour powder-coated**

| FIXED SPOUT | PULL-OUT |
|------------------------|------------|
| METALLIC | |
| ● 547001 CHR | 547121 CHR |
| CD CLASSIC LINE | |
| ● 547001 PUR | 547121 PUR |
| ● 547001 MAG | 547121 MAG |
| ● 547001 STO | 547121 STO |
| ● 547001 BRO | 547121 BRO |
| ● 547001 SIL | 547121 SIL |
| ○ 547001 POL | 547121 POL |

- 1 628801/1
- 2 628801/2
- 3 628801/3
- 4 628801/4
- 5 628604/2
- 6 628801/8



- 1 628801/1
- 2 628801/2
- 3 628801/3
- 4 628801/4
- 5 628739/5
- 6 628801/6
- 7 628801/7
- 8 628801/8

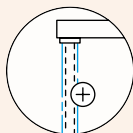
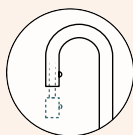
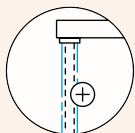
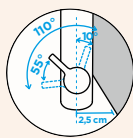
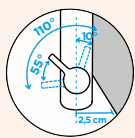


○ = on stock



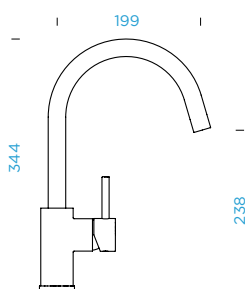
PLUTOS

FIXED SPOUT



PLUTOS

PULL-OUT



Connecting hose: **450 mm**
Swivel range: **360°**
Lever position: **on the right**
Features: **Temperature limiter, Colour lacquered**

- 1 628737/1
- 2 628736/2
- 3 628734/3
- 4 628736XXX
- 5 628737/5

FIXED SPOUT

PULL-OUT

METALLIC

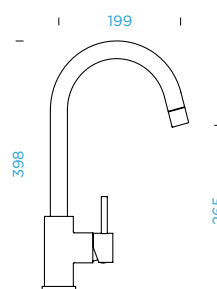
- 589000 CHR
- 589121 CHR

CD CLASSIC LINE

- 589000 PUR
- 589000 MAG
- 589121 PUR
- 589121 MAG

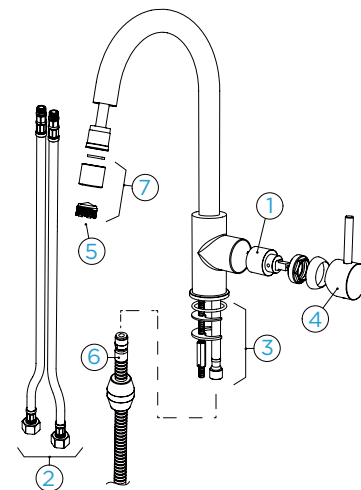
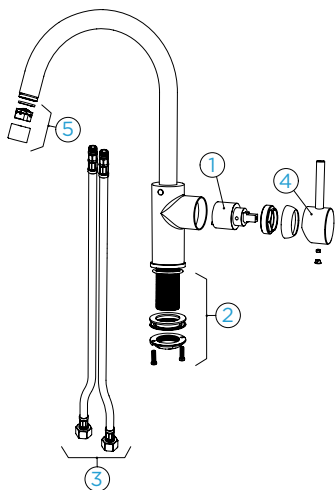
CT BASIC LINE

- 589000 GNE
- 589000 GON
- 589000 GAS
- 589000 GMC
- 589000 GCR
- 589000 GSA
- 589000 GMS
- 589000 GDW
- 589121 GNE
- 589121 GON
- 589121 GAS
- 589121 GMC
- 589121 GCR
- 589121 GSA
- 589121 GMS
- 589121 GDW

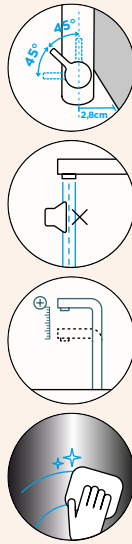
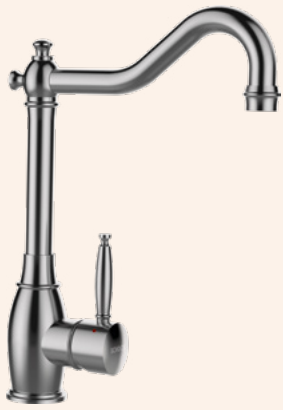


Connecting hose: **450 mm**
Swivel range: **180°**
Lever position: **on the right**
Usable shower hose length: **400 mm**
Features: **Backflow preventer, Temperature limiter, Colour lacquered**

- 1 628759/1
- 2 628738/3
- 3 628759/2
- 4 628736XXX
- 5 628759/5
- 6 628759/4
- 7 628759/7

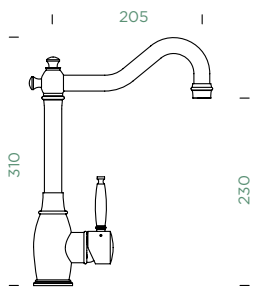


○ = on stock



RESI



FIXED SPOUT



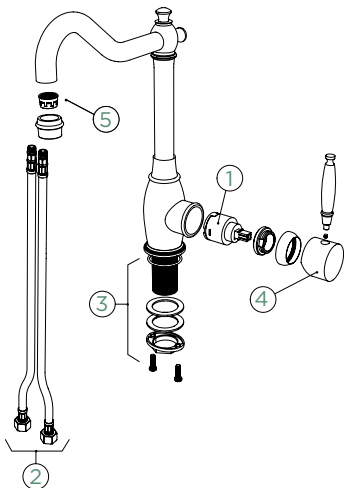
Connecting hose: **450 mm**
 Swivel range: **360°**
 Lever position: **on the right**
 Features: **Ultra-quiet aerator, Colour PVD**

FIXED SPOUT

METALLIC

-  513000 EDM
-  513000 WGO

- 1 628778/1
- 2 628748/2
- 3 628778/2
- 4 628796XXX
- 5 628740/5



 = on stock

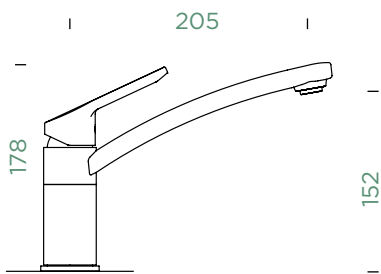




SC-90



FIXED SPOUT



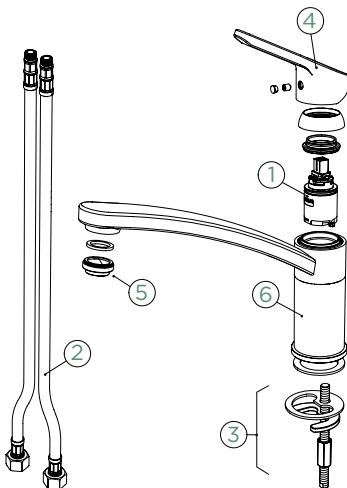
Connecting hose: **450 mm**

Swivel range: **360°**

Lever position: **at the top**

Features: **Temperature limiter, Water saving function, Version in chrome with sleeves**

- 1 628720/1
- 2 628677/3
- 3 628639/1
- 4 628720CHR
- 5 628720/2
- 6 5..22060XX



FIXED SPOUT

CD CLASSIC LINE

- 598000 PUR
- 598000 MAG
- 598000 STO
- 598000 BRO
- 598000 SIL
- 598000 POL
- 598000 ROU

CD GREEN LINE

- 598000 DAY
- 598000 DSK
- 598000 NGT
- 598000 TWI

CT BASIC LINE

- 598000 GNE
- 598000 GON
- 598000 GAS
- 598000 GMC
- 598000 GBT
- 598000 GCR
- 598000 GSA
- 598000 GMS
- 598000 GEV
- 598000 GDW

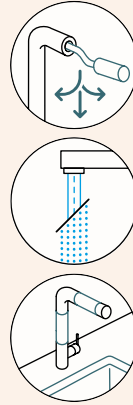
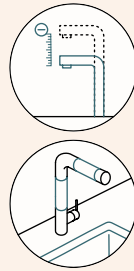
○ = on stock





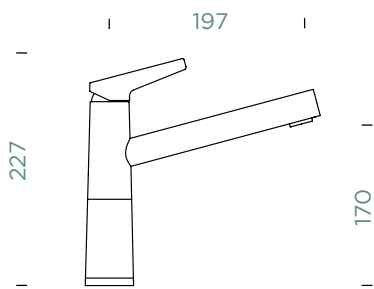
SC-510

FIXED SPOUT

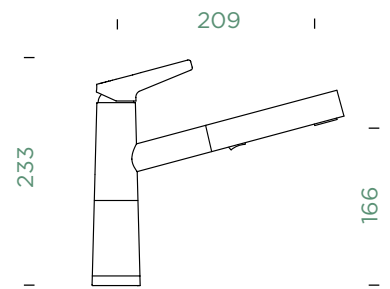


SC-510

PULL-OUT



Connecting hose: **600 mm**
 Swivel range: **360°**
 Lever position: **at the top**
 Features: **Version in chrome with sleeves**



Connecting hose: **600 mm**
 Swivel range: **120°**
 Lever position: **at the top**
 Usable shower hose length: **500 mm**
 Features: **Backflow preventer, Jet-spray function, Version in chrome with sleeves**

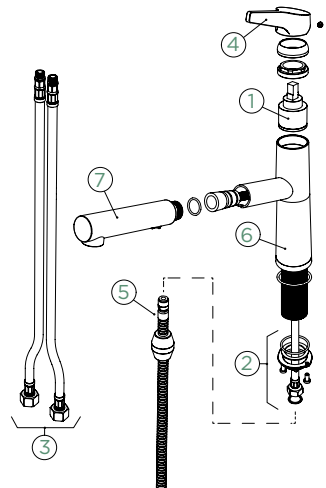
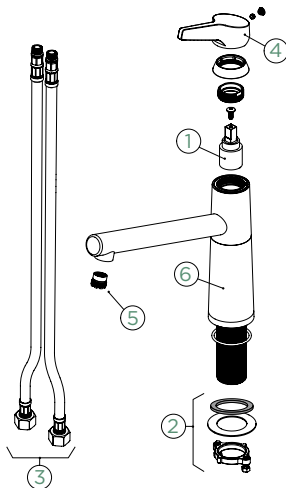
| FIXED SPOUT | PULL-OUT |
|------------------------|------------|
| CD CLASSIC LINE | |
| ● 554000 PUR | 554120 PUR |
| ● 554000 MAG | 554120 MAG |
| ● 554000 STO | 554120 STO |
| ● 554000 BRO | 554120 BRO |
| ● 554000 SIL | 554120 SIL |
| ○ 554000 POL | 554120 POL |
| ● 554000 ROU | 554120 ROU |

| | |
|----------------------|------------|
| CD GREEN LINE | |
| ○ 554000 DAY | 554120 DAY |
| ● 554000 DSK | 554120 DSK |
| ● 554000 NGT | 554120 NGT |
| ● 554000 TWI | 554120 TWI |

| | |
|----------------------|------------|
| CT BASIC LINE | |
| ● 554000 GNE | 554120 GNE |
| ● 554000 GON | 554120 GON |
| ● 554000 GAS | 554120 GAS |
| ● 554000 GMC | 554120 GMC |
| ● 554000 GBT | 554120 GBT |
| ● 554000 GCR | 554120 GCR |
| ● 554000 GSA | 554120 GSA |
| ● 554000 GMS | 554120 GMS |
| ● 554000 GEV | 554120 GEV |
| ○ 554000 GDW | 554120 GDW |

- 628784/1
- 628784/2
- 628785/3
- 628784CHR
- 628785/5
- 5..22075XX

- 628784/1
- 628784/2
- 628785/3
- 628784CHR
- 628784/4
- 5..22075XX
- 628784/7

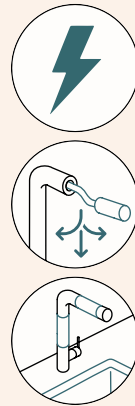
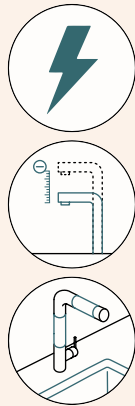


○ = on stock



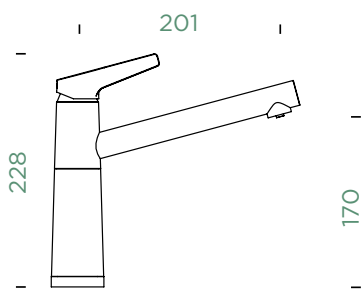
SC-510 LP

FIXED SPOUT



SC-510 LP

PULL-OUT



Connecting hose: **450 mm**

Swivel range: **360°**

Lever position: **at the top**

Features: **Version in chrome with sleeves**

FIXED SPOUT

PULL-OUT

CD CLASSIC LINE

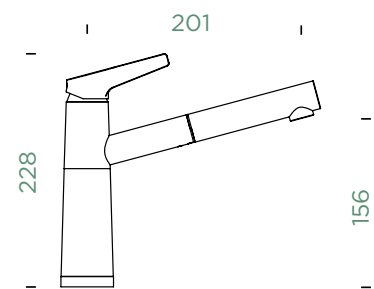
| | |
|--------------|------------|
| ● 554003 PUR | 554123 PUR |
| ● 554003 MAG | 554123 MAG |
| ● 554003 STO | 554123 STO |
| ● 554003 BRO | 554123 BRO |
| ● 554003 SIL | 554123 SIL |
| ○ 554003 POL | 554123 POL |
| ● 554003 ROU | 554123 ROU |

CD GREEN LINE

| | |
|--------------|------------|
| ○ 554003 DAY | 554123 DAY |
| ● 554003 DSK | 554123 DSK |
| ● 554003 NGT | 554123 NGT |
| ● 554003 TWI | 554123 TWI |

CT BASIC LINE

| | |
|--------------|------------|
| ● 554003 GNE | 554123 GNE |
| ● 554003 GON | 554123 GON |
| ● 554003 GAS | 554123 GAS |
| ● 554003 GMC | 554123 GMC |
| ● 554003 GBT | 554123 GBT |
| ● 554003 GCR | 554123 GCR |
| ● 554003 GSA | 554123 GSA |
| ● 554003 GMS | 554123 GMS |
| ● 554003 GEV | 554123 GEV |
| ○ 554003 GDW | 554123 GDW |



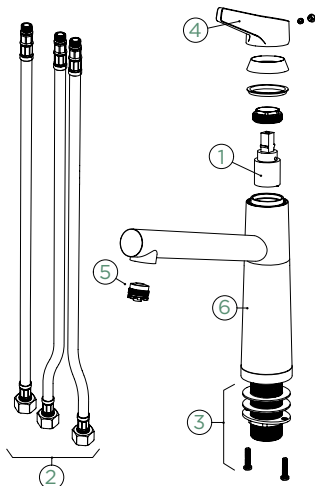
Connecting hose: **450 mm**

Swivel range: **120°**

Lever position: **at the top**

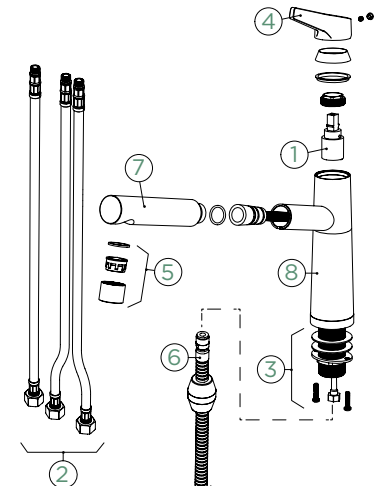
Usable shower hose length: **350 mm**
Features: **Version in chrome with sleeves**

- 1 628805/1
- 2 628805/2
- 3 628736/2
- 4 628805/4
- 5 628792/6
- 6 5..22075XX



○ = on stock

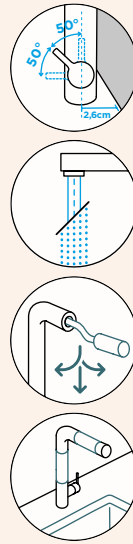
- 1 628805/1
- 2 628805/2
- 3 628793/3
- 4 628805/4
- 5 628791/5
- 6 628805/6
- 7 628792/5
- 8 5..22075XX





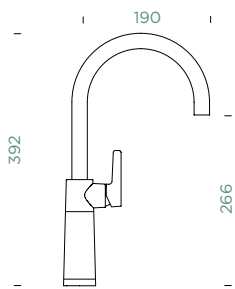
SC-520

FIXED SPOUT

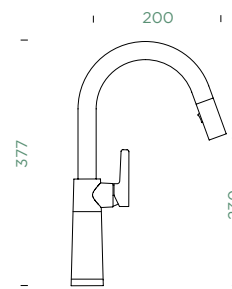


SC-520

PULL-OUT



Connecting hose: **600 mm**
 Swivel range: **360°**
 Lever position: **on the right**
 Features: **Version in chrome with sleeves**



Connecting hose: **600 mm**
 Swivel range: **120°**
 Lever position: **on the right**
 Usable shower hose length: **400 mm**
 Features: **Backflow preventer, Jet-spray function, Version in chrome with sleeves**

FIXED SPOUT

PULL-OUT

CD CLASSIC LINE

- | | |
|--------------|------------|
| ● 555000 PUR | 555120 PUR |
| ● 555000 MAG | 555120 MAG |
| ● 555000 STO | 555120 STO |
| ● 555000 BRO | 555120 BRO |
| ● 555000 SIL | 555120 SIL |
| ○ 555000 POL | 555120 POL |
| ● 555000 ROU | 555120 ROU |

CD GREEN LINE

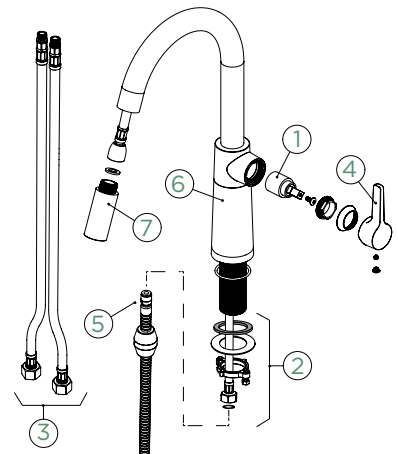
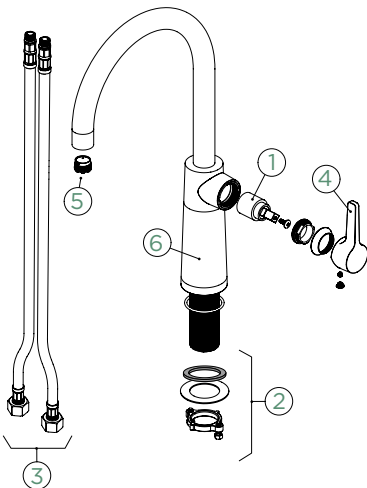
- | | |
|--------------|------------|
| ○ 555000 DAY | 555120 DAY |
| ● 555000 DSK | 555120 DSK |
| ● 555000 NGT | 555120 NGT |
| ● 555000 TWI | 555120 TWI |

CT BASIC LINE

- | | |
|--------------|------------|
| ● 555000 GNE | 555120 GNE |
| ● 555000 GON | 555120 GON |
| ● 555000 GAS | 555120 GAS |
| ● 555000 GMC | 555120 GMC |
| ● 555000 GBT | 555120 GBT |
| ● 555000 GCR | 555120 GCR |
| ● 555000 GSA | 555120 GSA |
| ● 555000 GMS | 555120 GMS |
| ● 555000 GEV | 555120 GEV |
| ○ 555000 GDW | 555120 GDW |

- 1 628784/1
- 2 628784/2
- 3 628784/3
- 4 628785CHR
- 5 628784/5
- 6 5..22075XX
- 7 628785/7

- 1 628784/1
- 2 628784/2
- 3 628784/3
- 4 628785CHR
- 5 628784/5
- 6 5..22075XX

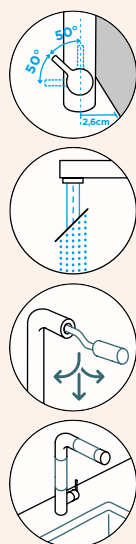
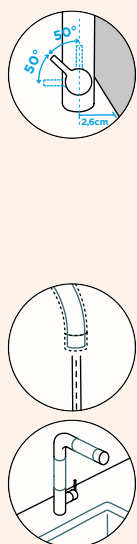


○ = on stock



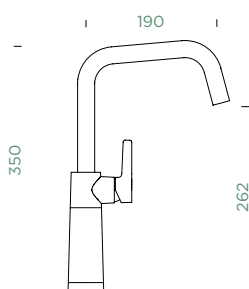
SC-530

FIXED SPOUT



SC-530

PULL-OUT



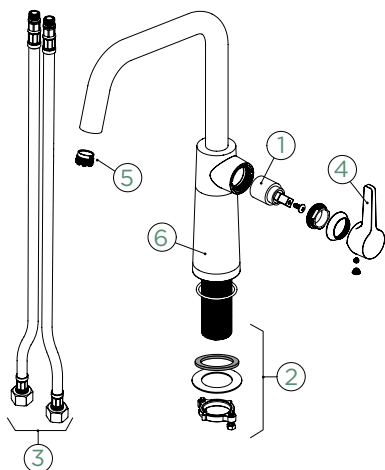
Connecting hose: **600 mm**

Swivel range: **360°**

Lever position: **on the right**

Features: **Version in chrome with sleeves**

- 1 628784/1
- 2 628784/2
- 3 628784/3
- 4 628785CHR
- 5 628784/5
- 6 5..22075XX



FIXED SPOUT

PULL-OUT

CD CLASSIC LINE

- | | |
|--------------|------------|
| ● 556000 PUR | 556120 PUR |
| ● 556000 MAG | 556120 MAG |
| ● 556000 STO | 556120 STO |
| ● 556000 BRO | 556120 BRO |
| ● 556000 SIL | 556120 SIL |
| ○ 556000 POL | 556120 POL |
| ● 556000 ROU | 556120 ROU |

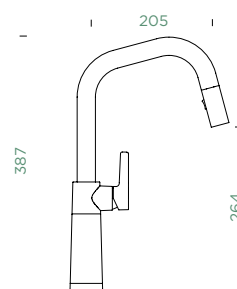
CD GREEN LINE

- | | |
|--------------|------------|
| ○ 556000 DAY | 556120 DAY |
| ● 556000 DSK | 556120 DSK |
| ● 556000 NGT | 556120 NGT |
| ● 556000 TWI | 556120 TWI |

CT BASIC LINE

- | | |
|--------------|------------|
| ● 556000 GNE | 556120 GNE |
| ● 556000 GON | 556120 GON |
| ● 556000 GAS | 556120 GAS |
| ● 556000 GMC | 556120 GMC |
| ● 556000 GBT | 556120 GBT |
| ● 556000 GCR | 556120 GCR |
| ● 556000 GSA | 556120 GSA |
| ● 556000 GMS | 556120 GMS |
| ● 556000 GEV | 556120 GEV |
| ○ 556000 GDW | 556120 GDW |

○ = on stock



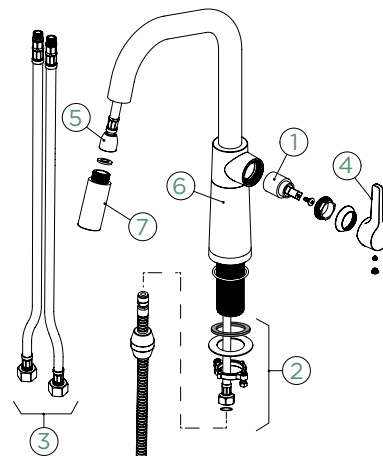
Connecting hose: **600 mm**

Swivel range: **120°**

Lever position: **on the right**

Usable shower hose length: **400 mm**
Features: **Backflow preventer, Jet-spray function, Version in chrome with sleeves**

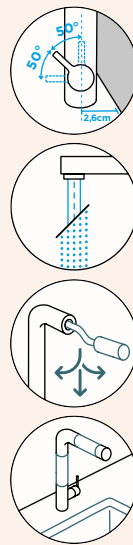
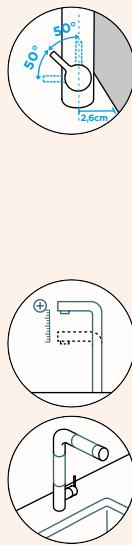
- 1 628784/1
- 2 628784/2
- 3 628784/3
- 4 628785CHR
- 5 628788/4
- 6 5..22075XX
- 7 628785/7





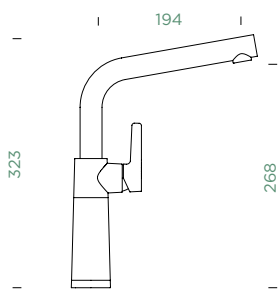
SC-540

FIXED SPOUT

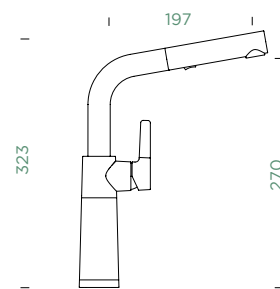


SC-540

PULL-OUT



Connecting hose: **600 mm**
 Swivel range: **360°**
 Lever position: **on the right**
 Features: **Version in chrome with sleeves**



Connecting hose: **600 mm**
 Swivel range: **120°**
 Lever position: **on the right**
 Usable shower hose length: **600 mm**
 Features: **Backflow preventer, Jet-spray function, Version in chrome with sleeves**

FIXED SPOUT

PULL-OUT

CD CLASSIC LINE

- | | |
|--------------|------------|
| ● 557000 PUR | 557120 PUR |
| ● 557000 MAG | 557120 MAG |
| ● 557000 STO | 557120 STO |
| ● 557000 BRO | 557120 BRO |
| ● 557000 SIL | 557120 SIL |
| ○ 557000 POL | 557120 POL |
| ● 557000 ROU | 557120 ROU |

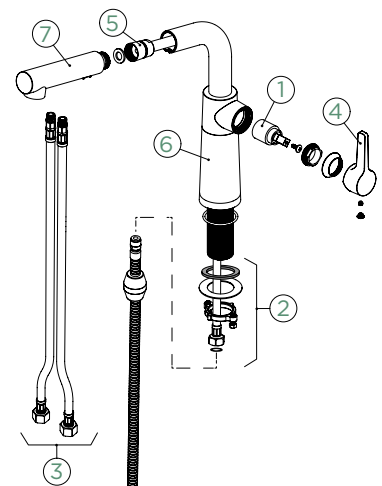
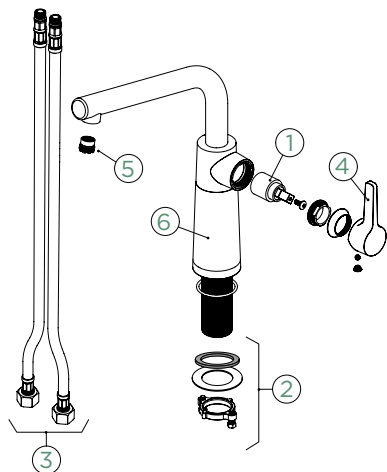
CD GREEN LINE

- | | |
|--------------|------------|
| ○ 557000 DAY | 557120 DAY |
| ● 557000 DSK | 557120 DSK |
| ● 557000 NGT | 557120 NGT |
| ● 557000 TWI | 557120 TWI |

CT BASIC LINE

- | | |
|--------------|------------|
| ● 557000 GNE | 557120 GNE |
| ● 557000 GON | 557120 GON |
| ● 557000 GAS | 557120 GAS |
| ● 557000 GMC | 557120 GMC |
| ● 557000 GBT | 557120 GBT |
| ● 557000 GCR | 557120 GCR |
| ● 557000 GSA | 557120 GSA |
| ● 557000 GMS | 557120 GMS |
| ● 557000 GEV | 557120 GEV |
| ○ 557000 GDW | 557120 GDW |

- 1 628784/1
- 2 628784/2
- 3 628784/3
- 4 628785CHR
- 5 628785/5
- 6 5..22075XX

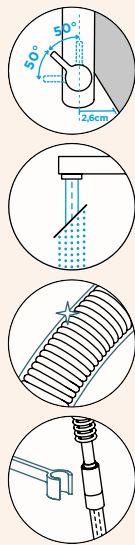


○ = on stock



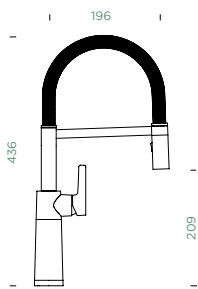
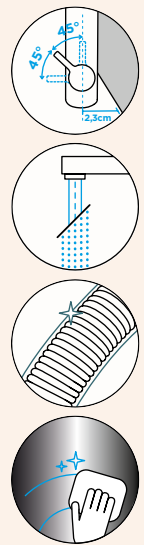
SC-550

FIXED SPOUT



SINA

FIXED SPOUT



Connecting hose: **600 mm**

Swivel range: **150°**

Lever position: **on the right**

Features: **Backflow preventer, Jet-spray function, Version in chrome with sleeves**

- 1 628784/1
- 2 628784/2
- 3 628784/3
- 4 628785CHR
- 5 628787/7
- 6 5..22075XX

FIXED SPOUT

CD CLASSIC LINE

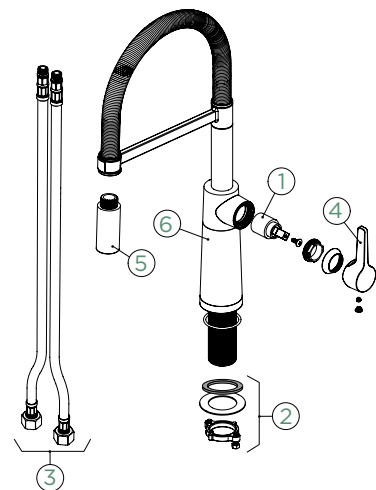
- 558000 PUR
- 558000 MAG
- 558000 STO
- 558000 BRO
- 558000 SIL
- 558000 POL
- 558000 ROU

CD GREEN LINE

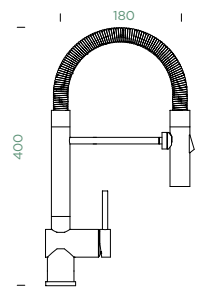
- 558000 DAY
- 558000 DSK
- 558000 NGT
- 558000 TWI

CT BASIC LINE

- 558000 GNE
- 558000 GON
- 558000 GAS
- 558000 GMC
- 558000 GBT
- 558000 GCR
- 558000 GSA
- 558000 GMS
- 558000 GEV
- 558000 GDW



○ = on stock



Connecting hose: **450 mm**

Swivel range: **360°**

Lever position: **on the right**

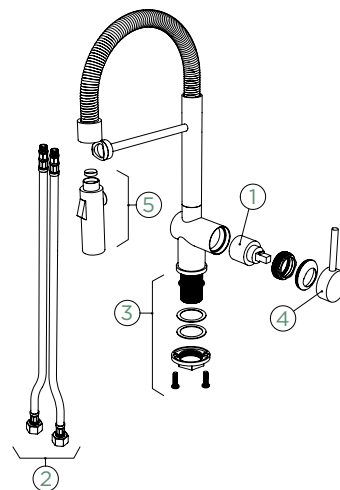
Features: **Backflow preventer, Jet-spray function**

- 1 628778/1
- 2 628749/2
- 3 628797/3
- 4 628797/EDM
- 5 628797/7

FIXED SPOUT

METALLIC

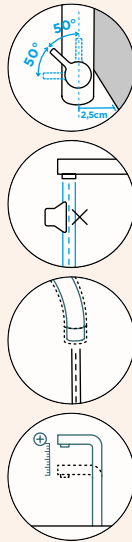
- 515000 EDM





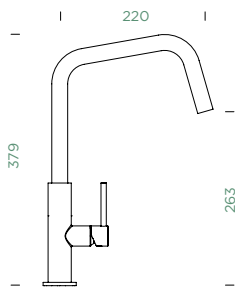
TANOS

FIXED SPOUT

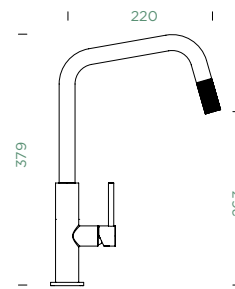


TANOS

PULL-OUT



Connecting hose: **500 mm**
 Swivel range: **360°**
 Lever position: **on the right**
 Features: **Ultra-quiet aerator, Colour powder-coated**

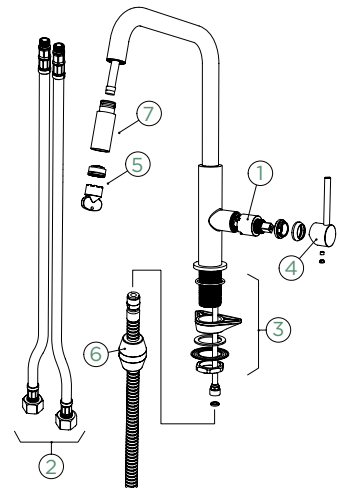
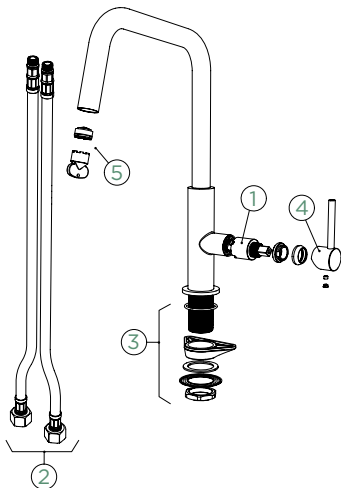


Connecting hose: **500 mm**
 Swivel range: **360°**
 Lever position: **on the right**
 Usable shower hose length: **400 mm**
 Features: **Ultra-quiet aerator, Colour powder-coated**

| FIXED SPOUT | PULL-OUT |
|-----------------|------------|
| METALLIC | |
| ● 516000 EDO | 516120 EDO |
| ● 516000 S | 516120 S |

- 1 628802/1
- 2 628802/2
- 3 628802/3
- 4 628802/4X
- 5 628802/5

- 1 628802/1
- 2 628803/2
- 3 628802/3
- 4 628802/4X
- 5 628802/5
- 6 628802/6
- 7 628802/7X



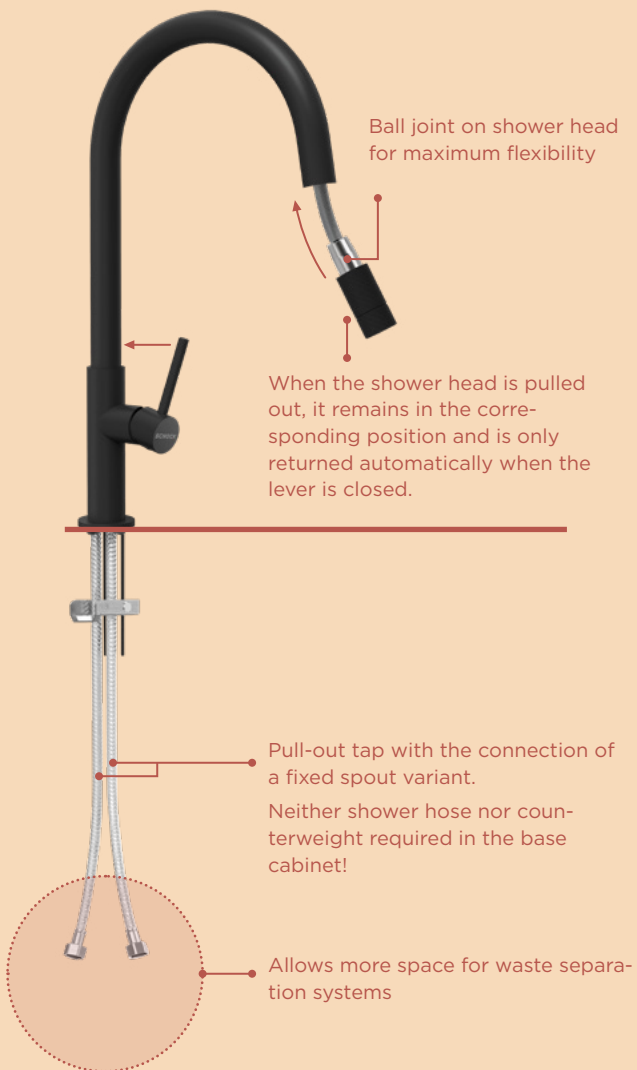
○ = on stock





Pull-out shower head:

Innovative
system



Installation:

Patented
fastening set

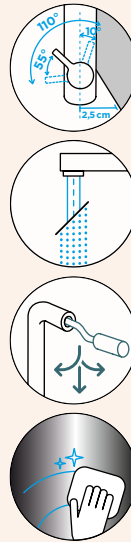


Innovative fastening set for quick and easy installation above the worktop.

Assembly in under 60 seconds!



To the Talia film



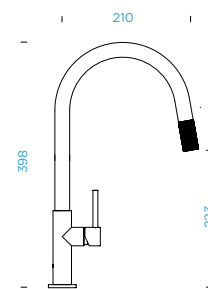
NEW

TALIA

PULL-OUT

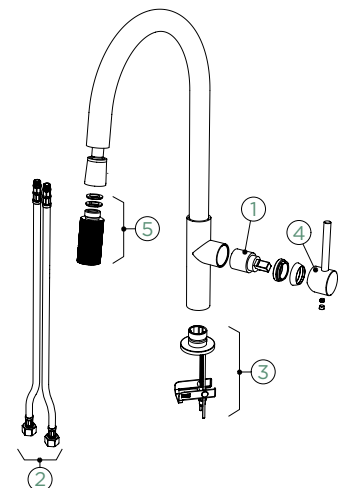
High quality:
Design &
material

-  Highlight design through modern, filigree shape with structured shower head
-  With shower function, so that the jet of water can be easily changed depending on the intended use
-  Fitting made of high-quality stainless steel - durable, rust-proof, scratch-resistant
-  Trend-conscious variant available in black matt; high durability due to the coating process
-  Easy-care, easy-to-clean and hygienic surface



Connecting hose: **600 mm**
 Swivel range: **360°**
 Lever position: **on the right**
 Usable shower hose length: **370 mm**
 Features: **Backflow preventer, Jet-spray function, Colour galvanic (PUR)**

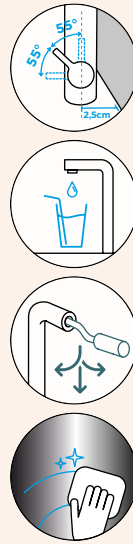
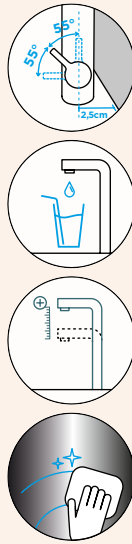
- 1 628811/1
- 2 628811/2
- 3 628811/3XXX
- 4 628811/4XXX
- 5 628811/5XXX





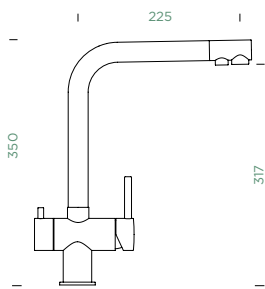
VITUS

FIXED SPOUT



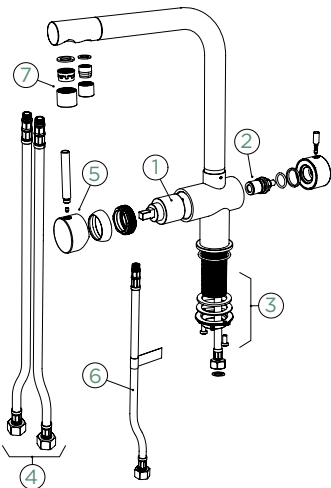
VITUS

PULL-OUT

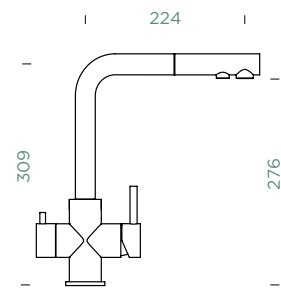


Connecting hose: **450 mm**
 Swivel range: **360°**
 Lever position: **on the right**
 Features: **Drinking water function, Ultra-quiet aerator, Colour lacquered**

- 1 628748/1
- 2 628748/7
- 3 628748/3
- 4 628748/2
- 5 628748/XXX
- 6 628748/6
- 7 628778/5XXX

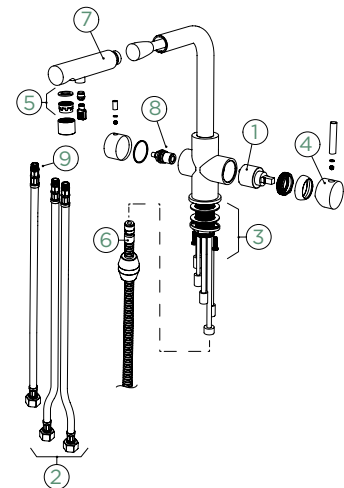


| FIXED SPOUT | PULL-OUT |
|------------------------|------------|
| METALLIC | |
| ● 560000 EDM | 560120 EDM |
| CD CLASSIC LINE | |
| ● 560027 PUR | 560127 PUR |



Connecting hose: **450 mm**
 Swivel range: **180°**
 Lever position: **on the right**
 Usable shower hose length: **400 mm**
 Features: **Drinking water function, Ultra-quiet aerator, Colour lacquered**

- 1 628778/1
- 2 628748/2
- 3 628779/9
- 4 628748/XXX
- 5 628779/8
- 6 628779/6
- 7 628779/7XXX
- 8 628748/7
- 9 628748/6

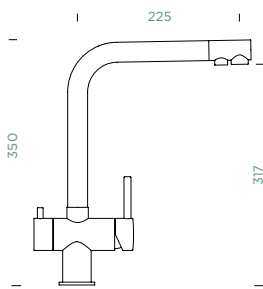
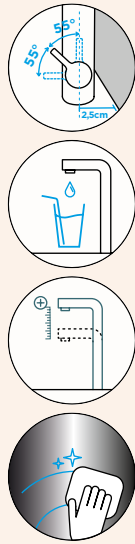


○ = on stock



VITUS

FIXED SPOUT



Connecting hose: **450 mm**
 Swivel range: **360°**
 Lever position: **on the right**
 Features: **Drinking water function, Ultra-quiet aerator, Colour lacquered**

- 1 628748/1
- 2 628748/7
- 3 628748/3
- 4 628748/2
- 5 628748/XXX
- 6 628748/6
- 7 628778/5XXX

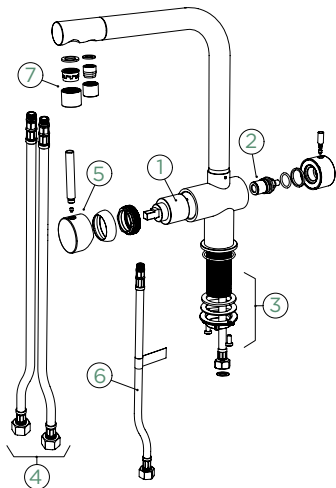
FIXED SPOUT

CD CLASSIC LINE

- 560000 PUR
- 560000 MAG
- 560000 BRO
- 560000 SIL
- 560000 POL

CT BASIC LINE

- 560000 GNE
- 560000 GON
- 560000 GAS
- 560000 GMC
- 560000 GBT
- 560000 GCR
- 560000 GSA
- 560000 GMS
- 560000 GEV
- 560000 GDW



○ = on stock

Soap Dispenser



Amur



Bela



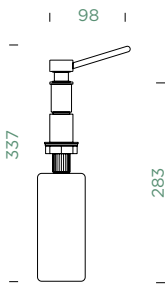
Samo



AMUR



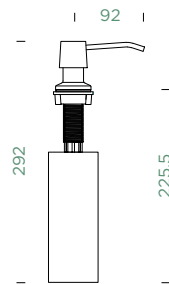
BELA



Spout length: **98 mm**
 Height: **337 mm**
 Spout height: **52 mm**
 Filling capacity: **480 ml**
 Needed cabinet space: **283 mm**

METALLIC

● 629014

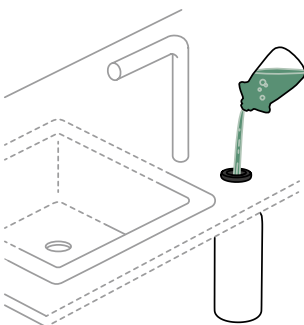


Spout length: **92 mm**
 Height: **292 mm**
 Spout height: **51 mm**
 Filling capacity: **500 ml**
 Needed cabinet space: **225,5 mm**

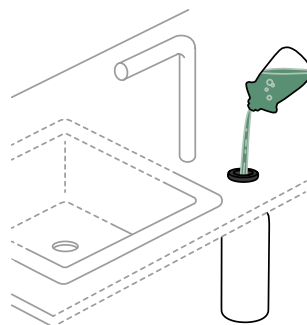
METALLIC

● 629180 PL

FILLING:
 Filling from top



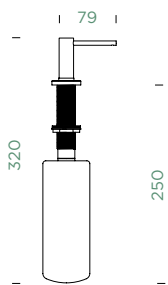
FILLING:
 Filling from top



○ = on stock



SAMO



Spout length: **79 mm**

Height: **320 mm**

Spout height: **65 mm**

Filling capacity: **500 ml**

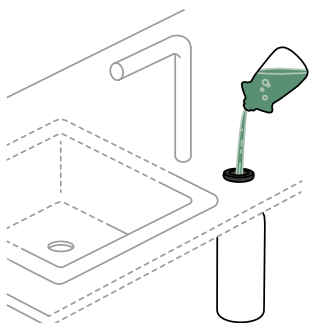
Needed cabinet space: **255 mm**

METALLIC

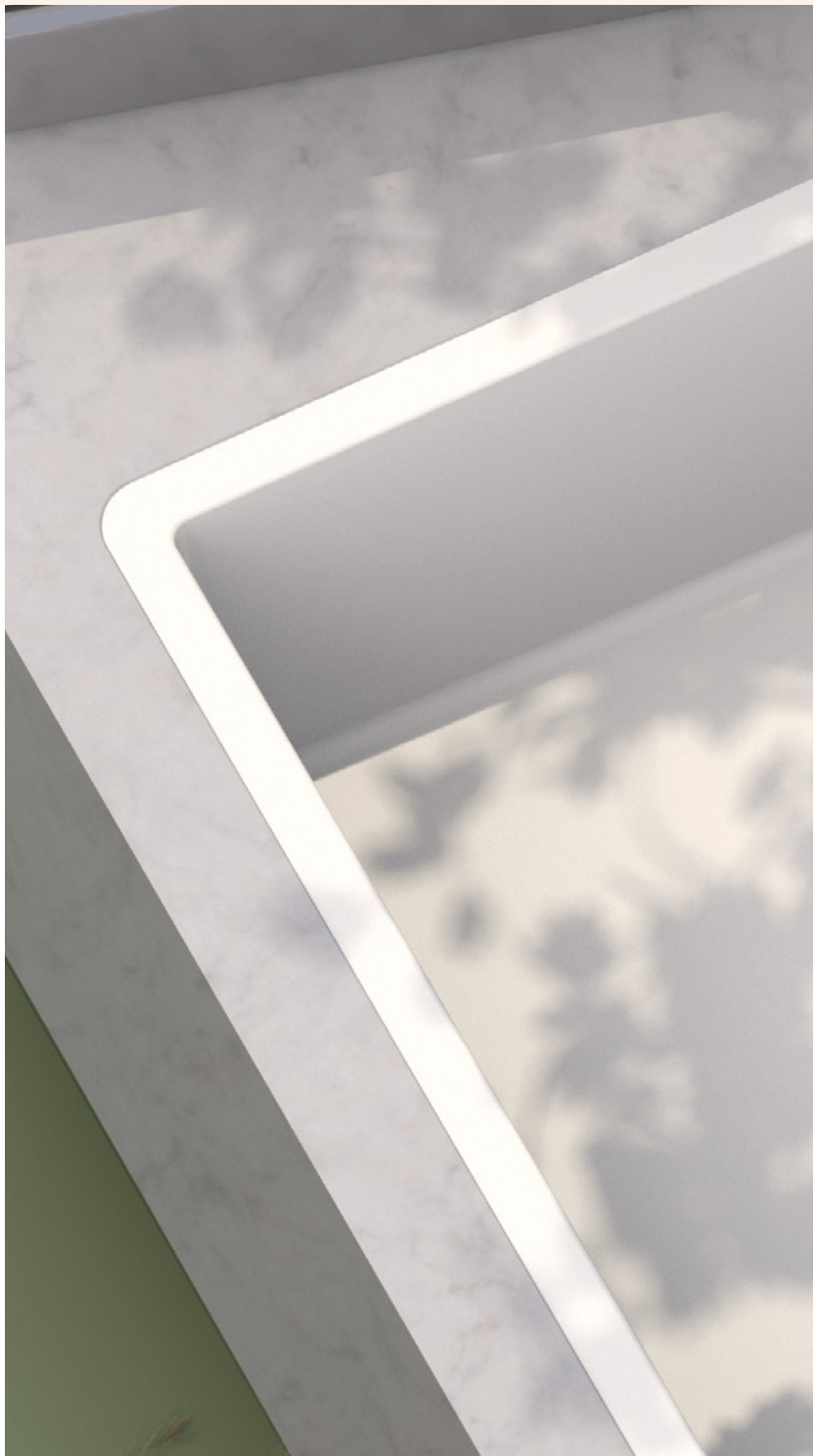
- 629169 CHR
- 629169 EDM
- 629169 WGO
- 629169 COP
- 629169 GUM
- 629169 S

FILLING:

Filling from top



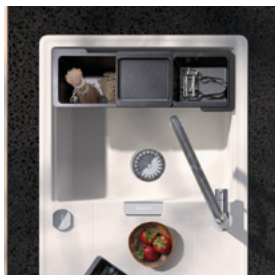
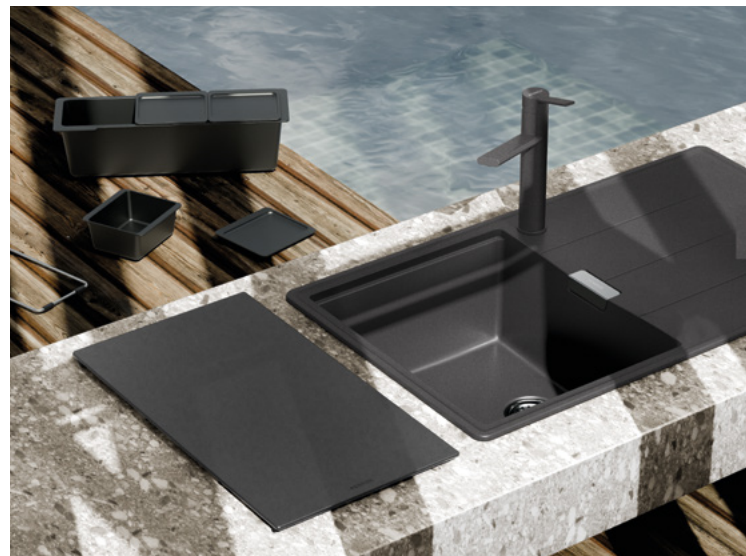
= on stock





SCHOCK

Accessories



CHOPPING BOARDS



Chopping board, bamboo

Article number: **629044**
540 × 300 × 25 mm



Chopping board, bamboo

Article number: **629052**
290 × 210 × 18 mm



Chopping board, wood

Article number: **629134**
300 × 530 × 23 mm



Chopping board Fibre-Rock

Article number: **629184**
300 × 542 × 19.3 mm

Brooklyn N-175
Campus D-100
Campus D-100L
Campus D-150
Campus D-200
Campus N-200
City D-100
City D-100L
City D-150
City D-200
City N-200
Classic N-150
Classic N-150Y
Element D-100L
Element D-100S
Element D-150
Element D-150L
Element D-200
Element N-200
Epure D-100
Epure D-100L
Epure D-150
Epure D-200
Formhaus D-100
Formhaus D-100L
Formhaus D-100LS
Formhaus D-100S
Formhaus D-150
Formhaus D-150L
Formhaus D-200
Formhaus N-200
Formhaus N-200S
Horizont N-200
Imago D-100
Imago D-100L
Imago D-150
Imago D-200
Kyoto D-100
Kyoto D-100L
Kyoto D-150
Kyoto D-200
Lima D-100S
Lithos D-100
Lithos D-100L
Lithos D-100S
Lithos D-150
Lithos N-200
Lithos N-200S
Lotus D-100
Lotus D-150
Manhattan D-100
Manhattan D-150S
Modena D-200
Opus D-100
Opus D-150
Opus D-200
Pinedo D-100
Pinedo D-100L
Pinedo D-100XS
Pinedo D-150
Primus C-200
Primus D-100
Primus D-100L
Primus D-150
Primus D-200
Primus N-100XL
Primus N-200
Ronda D-100
Ronda D-100L
Ronda D-100XL

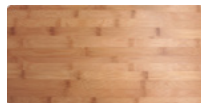
Signus C-150
Signus D-100
Signus D-100L
Signus D-150
Signus D-175
Signus D-200
Signus N-100XL
Signus N-200
Tia D-100
Tia D-100L
Tia D-100LS
Toledo D-100
Toledo D-100L
Toledo D-100XS
Toledo D-150
Toledo D-200
Typos C-150
Typos D-100
Typos D-100L
Typos D-150
Typos D-200
Typos N-200
Viola D-100
Viola D-100L
Viola D-100S
Viola D-150
Viola D-200
Viola N-200
Viola N-200S
Waterfall D-100
Waterfall D-150
Waterfall D-200

Manhattan D-100S
Manhattan D-100XS

Wembley D-100
Wembley D-100L
Wembley D-150
Wembley D-200

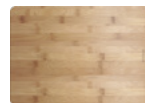
Brooklyn N-175
Casa D-100
Casa D-125
City D-100
City D-100L
City D-200
Element D-100L
Element D-100S
Element D-150
Element D-150L
Element D-200
Element N-200
Formhaus D-100
Formhaus D-100L
Formhaus D-100LS
Formhaus D-100S
Formhaus D-150L
Formhaus D-200
Formhaus N-200
Formhaus N-200S
Horizont D-100
Horizont D-100S
Horizont D-150
Horizont N-200
Imago D-100
Imago D-100L
Imago D-150
Imago D-200
Kyoto D-100
Kyoto D-100L
Kyoto D-150
Kyoto D-200
Lima D-100S
Lithos D-100
Lithos D-100L
Lithos D-150
Lithos D-200
Lithos N-200
Lithos N-200S
Lotus D-100
Lotus D-150
Manhattan D-150S
Pinedo D-100
Pinedo D-100L
Pinedo D-100XS
Pinedo D-150
Primus D-100
Primus D-100L
Primus D-150
Primus D-200
Primus N-200
Ronda D-100
Ronda D-100L
Ronda D-100XL

Signus C-150
Signus D-100
Signus D-100L
Signus D-150
Signus D-175
Signus D-200
Signus N-100XL
Signus N-175
Signus N-200
Tia D-100
Tia D-100L
Tia D-100LS
Toledo D-100
Toledo D-100L
Toledo D-100S
Toledo D-100XS
Toledo D-150
Toledo D-200
Typos D-100
Typos D-100L
Typos D-150
Typos D-200
Typos N-200
Venus N-200
Viola D-100
Viola D-100L
Viola D-100S
Viola D-150
Viola D-200
Viola N-200
Viola N-200S
Waterfall D-100
Waterfall D-150
Waterfall D-200



Chopping board, bamboo

Article number: **629145**
480 × 240 × 23.5 mm

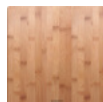


Chopping board, bamboo

Article number: **629159**
367 × 260 × 18 mm

Mono D-100
Mono D-100L
Mono D-100S
Mono D-100XS
Mono D-150
Mono D-175
Mono D-200

Mono N-100
Mono N-100S
Nemo N-100
Nemo N-100S



Chopping board, wood

Article number: **629158**
395 × 395 × 20 mm

Brooklyn N-100XL
Brooklyn N-200
Greenwich N-100XL
Greenwich N-200
Horizont D-100
Horizont D-100S
Horizont D-150
Horizont N-200
Kiruna N-100
Kiruna N-100L
Kiruna N-100XL
Lahti N-100
Lahti N-100L
Lahti N-100XL
Prepstation D-150

GASTRONORM



**Gastronorm Container
GN 2/8**

Article number: **629060**
325 × 132 × 65 mm

Brooklyn N-100XL
Brooklyn N-200
Greenwich N-100XL
Greenwich N-200
Horizont D-150
Horizont N-200
Imago D-100
Imago D-100L
Imago D-150
Imago D-200
Kiruna N-100
Kiruna N-100L
Kiruna N-100XL
Kyoto D-100
Kyoto D-100L
Kyoto D-150
Kyoto D-200
Lahti N-100
Lahti N-100L
Lahti N-100XL
Mono N-100
Mono N-100S
Nemo N-100
Nemo N-100S
Prepstation D-150
Tia D-100
Tia D-100L
Tia D-100LS



**Gastronorm Container
GN 2/8**

stainless steel

Article number: **629061**
325 × 132 × 65 mm

Brooklyn N-100XL
Brooklyn N-200
Greenwich N-100XL
Horizont D-150
Horizont N-200
Imago D-100
Imago D-100L
Imago D-150
Imago D-200
Kiruna N-100
Kiruna N-100L
Kiruna N-100XL
Kyoto D-100
Kyoto D-100L
Kyoto D-150
Kyoto D-200
Lahti N-100
Lahti N-100L
Lahti N-100XL
Mono N-100
Mono N-100S
Nemo N-100
Nemo N-100S
Prepstation D-150
Tia D-100
Tia D-100L
Tia D-100LS



**Gastronorm Container
GN 2/3**

stainless steel

Article number: **629063**
354 × 325 × 65 mm

Gastronorm GN
2/3Brooklyn N-100XL
Brooklyn N-200
Greenwich N-100XL
Greenwich N-200
Horizont D-150
Horizont N-200
Kiruna N-100
Kiruna N-100L
Kiruna N-100XL
Kyoto D-100
Kyoto D-100L
Kyoto D-150
Kyoto D-200
Lahti N-100
Lahti N-100L
Lahti N-100XL
Mono N-100
Mono N-100S
Nemo N-100
Nemo N-100S
Prepstation D-150



Carrier

Article number: **629146**
316 × 394 × 5 mm

Brooklyn N-100XL
Brooklyn N-200
Greenwich N-100XL
Greenwich N-200
Horizont D-150
Horizont N-200
Kiruna N-100
Kiruna N-100L
Kiruna N-100XL
Kyoto D-100
Kyoto D-100L
Kyoto D-150
Kyoto D-200
Lahti N-100
Lahti N-100L
Lahti N-100XL
Prepstation D-150



Carrier

Article number: **629151**
344 × 363 × 5 mm

Mono N-100
Mono N-100S
Nemo N-100
Nemo N-100S



Multifunctional rack

Article number: **629727**
126 × 438 × 5 mm

Tia D-100
Tia D-100L
Tia D-100LS

BOWL & CONTAINERS



Strainer bowl

Article number: **629017**
368 × 185 × 110 mm



Corner bowl

Article number: **629733**
368 × 135 × 102 mm

Mono N-100
Mono N-100S
Nemo N-100
Nemo N-100S

Brooklyn N-100
Brooklyn N-100L
Brooklyn N-100XL
Brooklyn N-175
Brooklyn N-200
Carbon N-100
Carbon N-100S
Carbon N-100XL
Edo N-175
Edo N-175Y
Element D-100L
Element D-100S
Element D-150
Element D-150L
Element D-200
Element N-200
Formhaus D-100
Formhaus D-100L
Formhaus D-100LS
Formhaus D-100S
Formhaus D-150L
Galaxy N-100
Galaxy N-100L
Galaxy N-100LY
Galaxy N-100Y
Gemo N-100
Gemo N-100Y
Greenwich N-100
Greenwich N-100L
Greenwich N-100S
Greenwich N-100XL
Greenwich N-200
Horizont D-100
Horizont D-100S
Horizont D-150
Horizont N-200
Kiruna N-100
Kiruna N-100L
Kiruna N-100XL
Lahti N-100
Lahti N-100L
Lahti N-100XL
Madison N-175
Madison N-200
Madison N-200Y
Manhattan D-100L
Manhattan D-100S
Manhattan D-100XS
Manhattan D-150S
Mono D-100
Mono D-100L
Mono D-100S
Mono D-100XS
Mono D-150
Mono D-200
Mono N-100
Mono N-100S
Montano N-100XL
Montano N-100XLY
Nemo N-100
Nemo N-100S

Pinedo D-100
Pinedo D-100L
Pinedo D-100XS
Pinedo D-150
Prepstation D-150
Primus D-100
Primus D-100L
Primus D-150
Primus D-200
Primus N-100XL
Primus N-100XLY
Quadro N-100
Quadro N-100S
Quadro N-150
Quadro N-150Y
Ronda D-100
Ronda D-100L
Ronda D-100XL
Signus D-100
Signus D-100L
Signus D-150
Signus D-175
Signus D-200
Signus N-100XL
Signus N-100XLY
Signus N-175
Signus N-200
Soho N-100
Soho N-100S
Soho N-150
Toledo D-100
Toledo D-100L
Toledo D-100XS
Toledo D-150
Toledo D-200
Typos D-100
Typos D-100L
Typos D-100S
Typos D-150
Typos D-150S
Typos D-200
Typos N-200
Virtus N-100
Virtus N-100S
Virtus N-100XL
Virtus N-100XLY
Virtus N-100XS
Waterfall D-100
Waterfall D-150



Strainer bowl

Article number: **629043**
345 × 188 × 110 mm

Primus D-150
Signus D-150
Typos D-150



Strainer bowl

Article number: **629057**
365 × 263 × 112 mm

Lotus C-150



Strainer bowl

Article number: **629111**
425 × 153 × 125 mm

Brooklyn N-100
Brooklyn N-100L
Brooklyn N-100S
Greenwich N-100
Greenwich N-100L
Greenwich N-100S



Functional bowl set Tia (7 parts)

Article number: **629728**
131 × 437 × 115 mm

Tia D-100
Tia D-100L
Tia D-100LS

DRAINERS



Silicone Drain Mat

Article number: **629188**
400 × 415 × 9 mm



Silicone Drain Mat short

Article number: **629189**
408 × 303 × 12 mm



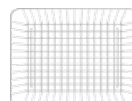
Carrier

Article number: **629138**
499 × 187 × 49 mm

Alive N-175Y
Alive N-200Y
Ash N-175
Ash N-200
Brooklyn N-100
Brooklyn N-100L
Brooklyn N-100S
Brooklyn N-100XL
Brooklyn N-175
Brooklyn N-200
Carbon N-100
Carbon N-100S
Carbon N-100XL
Carbon N-175
Charlotte N-200
Chelsea N-100XL
Chelsea N-200
Crest N-175
Crest N-175Y
Crest N-200
Crest N-200Y
Edo N-175
Edo N-175Y
Edo N-200Y
Element N-200
Euro N-100
Galaxy N-100
Galaxy N-100L
Galaxy N-100LY
Galaxy N-100Y
Gemo N-100
Gemo N-100Y
Greenwich N-100
Greenwich N-100L
Greenwich N-100S
Greenwich N-100XL
Greenwich N-150
Greenwich N-200
Impulse N-175
Impulse N-200
Inspiration N-175
Kiruna N-100
Kiruna N-100L
Kiruna N-100XL
Lahti N-100
Lahti N-100L
Lahti N-100XL
Madison N-175
Madison N-175Y
Madison N-200
Madison N-200Y
Manhattan N-150
Mono N-100
Mono N-100S
Montano N-100XL
Montano N-100XLY
Nemo N-100S
Prepstation D-150
Primus N-100XL
Primus N-100XLY
Primus N-200
Quadro N-100
Quadro N-100S
Quadro N-150
Quadro N-150Y
Signus N-100XL
Signus N-100XLY
Signus N-175
Signus N-200
Soho N-100
Soho N-100S
Soho N-150
Solido N-100
Solido N-175
Supra N-175

Alive N-175Y
Alive N-200Y
Ash N-175
Ash N-200
Brooklyn N-100
Brooklyn N-100L
Brooklyn N-100S
Brooklyn N-100XL
Brooklyn N-175
Brooklyn N-200
Carbon N-100
Carbon N-100S
Carbon N-100XL
Carbon N-175
Charlotte N-200
Chelsea N-100XL
Chelsea N-200
Crest N-175
Crest N-175Y
Crest N-200
Crest N-200Y
Edo N-175
Edo N-175Y
Edo N-200Y
Element N-200
Euro N-100
Galaxy N-100
Galaxy N-100L
Galaxy N-100LY
Galaxy N-100Y
Gemo N-100
Gemo N-100Y
Greenwich N-100
Greenwich N-100L
Greenwich N-100S
Greenwich N-100XL
Greenwich N-150
Greenwich N-200
Impulse N-175
Impulse N-200
Inspiration N-175
Kiruna N-100
Kiruna N-100L
Kiruna N-100XL
Lahti N-100
Lahti N-100L
Lahti N-100XL
Madison N-175
Madison N-175Y
Madison N-200
Madison N-200Y
Manhattan N-150
Mono N-100
Mono N-100S
Montano N-100XL
Montano N-100XLY
Nemo N-100S
Prepstation D-150
Primus N-100XL
Primus N-100XLY
Primus N-200
Quadro N-100
Quadro N-100S
Quadro N-150
Quadro N-150Y
Signus N-100XL
Signus N-100XLY
Signus N-175
Signus N-200
Soho N-100
Soho N-100S
Soho N-150
Solido N-100
Solido N-175
Supra N-175

Mono D-100XS



Wire basket

Article number: **629171**
415 × 320 × 155 mm

Element N-200
Primus C-150
Primus C-200
Primus D-100
Primus D-100L
Primus D-150
Primus D-200
Primus N-200
Quadro N-100
Signus C-150
Signus D-100
Signus D-100L
Signus D-150
Signus D-200
Signus N-200
Soho N-100
Typos D-100
Typos D-100L
Typos D-200
Typos N-200

DRAINERS



Design Drip Rack

Article number:
629725COP
336 × 480 × 12 mm



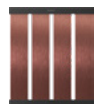
Design Drip Rack

Article number:
629725EDM
336 × 480 × 12 mm



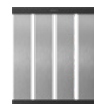
Design Drip Rack

Article number:
629725S
336 × 480 × 12 mm



Design Drip Rack

Article number:
629726COP
336 × 392 × 12 mm



Design Drip Rack

Article number:
629726EDM
336 × 392 × 12 mm



Design Drip Rack

Article number:
629726S
336 × 392 × 12 mm

Alive N-175
Alive N-200
Kyoto D-100
Kyoto D-100L
Kyoto D-150
Kyoto D-200
Mono D-100
Mono D-100L
Mono D-100S
Mono D-100XS
Mono D-150
Mono D-175
Mono D-200
Pinedo D-100
Pinedo D-100L
Pinedo D-100XS
Pinedo D-150
Signus C-150
Signus D-100
Signus D-100L
Signus D-150
Signus D-175
Signus D-200
Signus N-100XL
Signus N-175
Signus N-200
Tia D-100
Tia D-100L
Tia D-100LS
Toledo D-100
Toledo D-100L
Toledo D-100S
Toledo D-100XS
Toledo D-150
Toledo D-200
Waterfall D-100
Waterfall D-150
Waterfall D-200
Wembley D-100
Wembley D-100L
Wembley D-150
Wembley D-200

Alive N-175
Alive N-200
Kyoto D-100
Kyoto D-100L
Kyoto D-150
Kyoto D-200
Mono D-100
Mono D-100L
Mono D-100S
Mono D-100XS
Mono D-150
Mono D-175
Mono D-200
Pinedo D-100
Pinedo D-100L
Pinedo D-100XS
Pinedo D-150
Signus C-150
Signus D-100
Signus D-100L
Signus D-150
Signus D-175
Signus D-200
Signus N-100XL
Signus N-175
Signus N-200
Tia D-100
Tia D-100L
Tia D-100LS
Toledo D-100
Toledo D-100L
Toledo D-100S
Toledo D-100XS
Toledo D-150
Toledo D-200
Waterfall D-100
Waterfall D-150
Waterfall D-200
Wembley D-100
Wembley D-100L
Wembley D-150
Wembley D-200

Alive N-175
Alive N-200
Kyoto D-100
Kyoto D-100L
Kyoto D-150
Kyoto D-200
Mono D-100
Mono D-100L
Mono D-100S
Mono D-100XS
Mono D-150
Mono D-175
Mono D-200
Pinedo D-100
Pinedo D-100L
Pinedo D-100XS
Pinedo D-150
Signus C-150
Signus D-100
Signus D-100L
Signus D-150
Signus D-175
Signus D-200
Signus N-100XL
Signus N-175
Signus N-200
Tia D-100
Tia D-100L
Tia D-100LS
Toledo D-100
Toledo D-100L
Toledo D-100S
Toledo D-100XS
Toledo D-150
Toledo D-200
Waterfall D-100
Waterfall D-150
Waterfall D-200
Wembley D-100
Wembley D-100L
Wembley D-150
Wembley D-200

Brooklyn N-100XL
Brooklyn N-200
Greenwich N-100XL
Greenwich N-200
Horizont D-100
Horizont D-100S
Horizont D-150
Horizont N-200
Kiruna N-100
Kiruna N-100L
Kiruna N-100XL
Lahti N-100
Lahti N-100L
Lahti N-100XL
Prepstation D-150

Brooklyn N-100XL
Brooklyn N-200
Greenwich N-100XL
Greenwich N-200
Horizont D-100
Horizont D-100S
Horizont D-150
Horizont N-200
Kiruna N-100
Kiruna N-100L
Kiruna N-100XL
Lahti N-100
Lahti N-100L
Lahti N-100XL
Prepstation D-150

Brooklyn N-100XL
Brooklyn N-200
Greenwich N-100XL
Greenwich N-200
Horizont D-100
Horizont D-100S
Horizont D-150
Horizont N-200
Kiruna N-100
Kiruna N-100L
Kiruna N-100XL
Lahti N-100
Lahti N-100L
Lahti N-100XL
Prepstation D-150

DRAINERS



2x2 Design Drip Rack

2x2 Design Drip Rack

2x2 Design Drip Rack

2x2 Design Drip Rack

Article number:

629724EDM

80 × 450 × 12 mm

Article number:

629724S

80 × 450 × 12 mm

Article number:

629738S

80 × 392 × 12 mm

Article number:

629738EDM

80 × 392 × 12 mm

Greenwich N-100
Greenwich N-100L
Greenwich N-100S
Greenwich N-100XL
Greenwich N-150
Kyoto D-100
Kyoto D-150
Signus C-150
Signus D-100
Signus D-100L
Signus D-150
Signus D-175
Signus D-200
Signus N-100XL
Signus N-175
Signus N-200
Toledo D-100
Toledo D-100L
Toledo D-100XS
Toledo D-150
Toledo D-200
Waterfall D-100
Waterfall D-150
Wembley D-100
Wembley D-100L
Wembley D-150
Wembley D-200

Greenwich N-100
Greenwich N-100L
Greenwich N-100S
Greenwich N-100XL
Greenwich N-150
Kyoto D-100
Kyoto D-150
Signus C-150
Signus D-100
Signus D-100L
Signus D-150
Signus D-175
Signus D-200
Signus N-100XL
Signus N-175
Signus N-200
Toledo D-100
Toledo D-100L
Toledo D-100XS
Toledo D-150
Toledo D-200
Waterfall D-100
Waterfall D-150
Wembley D-100
Wembley D-100L
Wembley D-150
Wembley D-200

Brooklyn N-100XL
Brooklyn N-200
Greenwich N-200
Horizont D-100
Horizont D-100S
Horizont D-150
Horizont N-200
Kiruna N-100
Kiruna N-100L
Kiruna N-100XL
Lahti N-100
Lahti N-100L
Lahti N-100XL
Prepstation D-150

Brooklyn N-100XL
Brooklyn N-200
Greenwich N-200
Horizont D-100
Horizont D-100S
Horizont D-150
Horizont N-200
Kiruna N-100
Kiruna N-100L
Kiruna N-100XL
Lahti N-100
Lahti N-100L
Lahti N-100XL
Prepstation D-150

DESIGN UPGRADES

**Wastecap**

Elegant trim in brushed stainless steel to cover the plughole

**Comfopush, CHR**

To automatically open and close the plughole at the push of a button - round shaped. Suitable for all SCHOCK sinks except models in the Formhaus, Typos and Element range

**Comfopush, EDM**

To automatically open and close the plughole at the push of a button - round shaped. Suitable for all SCHOCK sinks except models in the Formhaus, Typos and Element range

**LED light (set of 2)**

Modern, energy-efficient LED lighting as a direct light source in the sink

**LED for sink on the right**

Modern, energy-efficient LED lighting as a direct light source in the sink

**LED for sink on the left**

Modern, energy-efficient LED lighting as a direct light source in the sink

Order number: **628152**

Article number:
629891CHR

Article number:
629891EDM

Article number: **629024**

Article number: **629024/R**

Article number: **629024/L**

For all models except the Perfect Drain ranges Brooklyn, Greenwich, Prepstation, Tia and Wembley.
3 1/2 inch pop-up basket strainer waste required

For sink on the right

For sink on the left

FUNCTIONAL UPGRADES

**Diamond drill SB light**

Article number: **629095**

**Pre-drilled hole**

Article number: **629004**

For pop-up control, tap and soap dispenser; see drawing for position
Order number: 629004
Specify hole position with your order: 629004/a, 629004/b, 629004/c, 629004/d, 629004/e

**Coarse particle filter SF-100 2 pcs**

For long-term protection for cartridge and aerator

Bestellnr.: **629883**

Suitable for all SCHOCK taps. One SF filter needed per angle valve.

**Coarse particle filter SF-100**

Article number: **629883/1**

Suitable for all SCHOCK taps. One SF filter needed per angle valve.

**Trap**

Article number: **629229**

1 1/2 inch, with connector for dishwasher

**Indutherm**

Heat source for the draining board, can be combined with pop-up control 629843/CHR, 629843/COP, 629843/EDM or 629843/GUM
As a heat source for warming plates or drying the washing-up quickly

Article number: **629100**

Kyoto D-100
Kyoto D-100L
Kyoto D-150
Kyoto D-200
Mono D-100
Mono D-100L
Mono D-200
Prepstation D-150
Tia D-100
Tia D-100L
Tia D-100LS
Wembley D-100
Wembley D-100L
Wembley D-150
Wembley D-200

CLEAN & CARE



EasyCare Set - Update 2023

Article number: **629735**



Mini Care Set

Keeps all sinks clean and looking good - protects against scale build-up and residues

Article number: **629093**



Magic Sponge

To remove metal scuff marks easily

Article number: **629023**



Pro Care

Contents: ProCare Paste (1x30 ml), 2 soft cloths, instructions

Article number: **629099**

CLEAN & CARE



EasyCare Set - Update 2023

Keeps all sinks clean and looking good - protects against scale build-up and residues
Contents: EasyCare Descaler 250 ml, EasyCare Balm 250 ml, 3 Magic Sponges, instructions

Article number: **629735**



EasyCare Descaler - Update 2023

Keeps all sinks clean and looking good - protects against scale build-up and residues
Contents: EasyCare Descaler 250 ml
Ingredients: <5% non-ionic surfactants, fragrances

Article number: **629734**



EasyCare Balm 250 ml

Contents: Easy Care Balm 250 ml bottle

Article number: **629182**



CARE SCHOCK

Cardboard display for SCHOCK care products
Contents: 10x SCHOCK Easy Care Balm, 9x SCHOCK Easy Care Descaler plus a box of 16 Magic Sponges

Article number: **WE-0275**



WE-0271

100% cotton tea towel

Article number: **WE-0271**



Kitchen helpers set

3-piece set with sustainable kitchen accessories

Article number: **WE-0282**

USAGE: Active Cleaning Tab in Mini Care Set 629093

INGREDIENTS: <5% non-ionic surfactants, 5-15% oxygen-based bleaching agents, <5% polycarboxylates, enzymes, perfumes (allergenic fragrances: d-limonene (LIMONENE))

WARNING - SAFETY INSTRUCTIONS: If medical advice is needed, have product container or label at hand. - Keep out of the reach of children. Wear protective gloves/protective clothing/eye protection/face protection. - In case of contact with skin: Wash with plenty of water. - In case of skin irritation: Seek medical advice/attention. - In case of contact with eyes: Rinse cautiously with water for several minutes. Remove contact lenses if possible. Continue rinsing. - If eye irritation persists: Seek medical advice/attention.

NOTE ON USE: When using cleaning and care products, all usual precautionary measures such as skin protection or eye protection must be observed! Do not mix care and cleaning agents! No liability can be accepted in the event of improper use.

ATTENTION: Always keep cleaning and care products away from children!

TRIM PARTS

Trim parts consisting of rotary handle for eccentric actuation, drainage cup and overflow cover(s) matching the sink model

Stainless steel



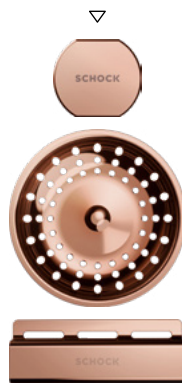
EDM

White Gold



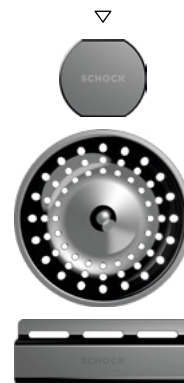
WGO

Copper



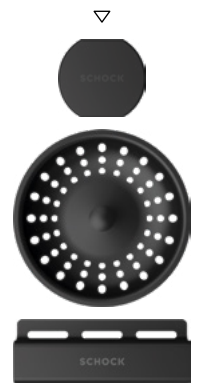
COP

Gunmetal



GUM

Puro



PUR

Suitable for:
Greenwich N-100S
Greenwich N-100
Greenwich N-100L
Greenwich N-100XL

| | |
|------------------------|------------------|
| Solide Stainless Steel | 400051EDM |
| White Gold | 400051WGO |
| Copper | 400051COP |
| Gunmetal | 400051GUM |
| Puro | 400051PUR |

Suitable for:
Signus C-150

| | |
|------------------------|------------------|
| Solide Stainless Steel | 400059EDM |
| White Gold | 400059WGO |
| Copper | 400059COP |
| Gunmetal | 400059GUM |
| Puro | 400059PUR |

Suitable for:
Greenwich N-200
Prepstation D-150

| | |
|------------------------|------------------|
| Solide Stainless Steel | 400053EDM |
| White Gold | 400053WGO |
| Copper | 400053COP |
| Gunmetal | 400053GUM |
| Puro | 400053PUR |

Suitable for:
Galaxy N-100
Galaxy N-100Y
Galaxy N-100L
Galaxy N-100LY
Mono N-100S
Mono N-100

| | |
|------------------------|------------------|
| Solide Stainless Steel | 400061EDM |
| White Gold | 400061WGO |
| Copper | 400061COP |
| Gunmetal | 400061GUM |
| Puro | 400061PUR |

Suitable for:
Kiruna N-100
Kiruna N-100L
Kiruna N-100XL
Signus N-100XL
Signus N-100XLY

| | |
|------------------------|------------------|
| Solide Stainless Steel | 400055EDM |
| White Gold | 400055WGO |
| Copper | 400055COP |
| Gunmetal | 400055GUM |
| Puro | 400055PUR |

Suitable for:
Montano N-100XL
Montano N-100XLY
Toledo D-100XS
Toledo D-100
Toledo D-100L

Suitable for:
Lotus C-150
Mono D-200
Toledo D-150
Toledo D-200

| | |
|------------------------|------------------|
| Solide Stainless Steel | 400063EDM |
| White Gold | 400063WGO |
| Copper | 400063COP |
| Gunmetal | 400063GUM |
| Puro | 400063PUR |

For stainless steel visible parts, no strainer basket is supplied as this is already included in the standard version.

| | | |
|-------------------------------|------------------------|------------------|
| Suitable for: Kallio M-100 | Solide Stainless Steel | 400065EDM |
| | White Gold | 400065WGO |
| | Copper | 400065COP |
| | Gunmetal | 400065GUM |
| | Puro | 400065PUR |

| | | |
|--|------------------------|------------------|
| Suitable for: Wembley D-100 Wembley D-100L | Solide Stainless Steel | 400083EDM |
| | White Gold | 400083WGO |
| | Copper | 400083COP |
| | Gunmetal | 400083GUM |
| | Puro | 400083PUR |

| | | |
|--|------------------------|------------------|
| Suitable for: Horizont N-200 Kallio M-175 Signus D-150 Signus D-200 Waterfall D-150 | Solide Stainless Steel | 400067EDM |
| | White Gold | 400067WGO |
| | Copper | 400067COP |
| | Gunmetal | 400067GUM |
| | Puro | 400067PUR |

| | | |
|--------------------------------|------------------------|------------------|
| Suitable for: Wembley D-200 | Solide Stainless Steel | 400085EDM |
| | White Gold | 400085WGO |
| | Copper | 400085COP |
| | Gunmetal | 400085GUM |
| | Puro | 400085PUR |

| | | |
|---|------------------------|------------------|
| Suitable for: Mono D-100XS Mono D-100S Mono D-100 Mono D-100L | Solide Stainless Steel | 400069EDM |
| | White Gold | 400069WGO |
| | Copper | 400069COP |
| | Gunmetal | 400069GUM |
| | Puro | 400069PUR |

| | | |
|-----------------------------|------------------------|------------------|
| Suitable for: Mono D-150 | Solide Stainless Steel | 400071EDM |
| | White Gold | 400071WGO |
| | Copper | 400071COP |
| | Gunmetal | 400071GUM |
| | Puro | 400071PUR |

| | | |
|-----------------------------|------------------------|------------------|
| Suitable for: Mono R-100 | Solide Stainless Steel | 400075EDM |
| | White Gold | 400075WGO |
| | Copper | 400075COP |
| | Gunmetal | 400075GUM |
| | Puro | 400075PUR |

| | | |
|---|------------------------|------------------|
| Suitable for: Signus D-100 Signus D-100L Waterfall D-100 | Solide Stainless Steel | 400077EDM |
| | White Gold | 400077WGO |
| | Copper | 400077COP |
| | Gunmetal | 400077GUM |
| | Puro | 400077PUR |

| | | |
|---|------------------------|------------------|
| Suitable for: Tia D-100 Tia D-100L Tia D-100LS | Solide Stainless Steel | 400079EDM |
| | White Gold | 400079WGO |
| | Copper | 400079COP |
| | Gunmetal | 400079GUM |
| | Puro | 400079PUR |

SINKS CRISTADUR®

| Sinks | Indutherm LED | Topmount Undermount Flushmount Module | CLASSIC LINE | | | | | | GREEN LINE | | | | |
|-----------------|------------------|--|--------------|-------|-------|--------|-------------|---------|------------|-----|------|-------|----------|
| | | | Puro | Magma | Stone | Bronze | Silverstone | Polaris | Rouge | Day | Dusk | Night | Twilight |
| Tia D-100LS | ● ● | ● ● ● ● | ● | ● | ● | ● | ● | ○ | ○ | ○ | ○ | ○ | ○ |
| Tia D-100L | ● ● | ● ● ● ● | ● | ● | ● | ● | ● | ○ | ○ | ○ | ○ | ○ | ○ |
| Toledo D-100XS | ○ ○ | ● ● ● ● | ● | ● | ● | ● | ● | ○ | ○ | ○ | ○ | ○ | ○ |
| Toledo D-100 | ○ ○ | ● ● ● ● | ● | ● | ● | ● | ● | ○ | ○ | ○ | ○ | ○ | ○ |
| Toledo D-100L | ○ ○ | ● ● ● ● | ● | ● | ● | ● | ● | ○ | ○ | ○ | ○ | ○ | ○ |
| Toledo D-150 | ○ ○ | ● ● ● ● | ● | ● | ● | ● | ● | ○ | ○ | ○ | ○ | ○ | ○ |
| Toledo D-200 | ○ ○ | ● ● ● ● | ● | ● | ● | ● | ● | ○ | ○ | ○ | ○ | ○ | ○ |
| Waterfall D-100 | ○ ● | ● ● ● ● | ● | ● | ● | ● | ● | ○ | ● | ○ | ○ | ○ | ○ |
| Waterfall D-150 | ○ ● | ● ● ● ● | ● | ● | ● | ● | ● | ○ | ● | ○ | ○ | ○ | ○ |
| Wembley D-100 | ● ● | ● ● ● ● | ○ | ● | ● | ● | ● | ○ | ○ | ○ | ○ | ○ | ○ |
| Wembley D-100L | ● ● | ● ● ● ● | ○ | ● | ● | ● | ● | ○ | ○ | ○ | ○ | ○ | ○ |
| Wembley D-200 | ● ● | ● ● ● ● | ○ | ● | ● | ● | ● | ○ | ○ | ○ | ○ | ○ | ○ |

○ In Stock

SINKS CRISTALITE®

| Sinks | Indutherm LED | Topmount Undermount | BASIC LINE | | | | | | | | | | | | | | | | | |
|-----------------|---------------|---------------------|------------|------|------|---------|-------|----------|-------|--------|-----------|---------|--------|-----|-----|-----|-----|-----|-----|-----|
| | | | Nero | Onyx | Inox | Asphalt | Mocha | Concrete | Croma | Sabbia | Moonstone | Everest | Alpina | | | | | | | |
| Typos D-100S | • ● | ● ● | ● ● | ● ● | ● ● | ● ● | ● ● | ● ● | ● ● | ● ● | ● ● | ● ● | ● ● | ● ● | ● ● | ● ● | ● ● | ● ● | ● ● | ● ● |
| Typos D-100 | • ● | ● ● | ● ● | ● ● | ● ● | ● ● | ● ● | ● ● | ● ● | ● ● | ● ● | ● ● | ● ● | ● ● | ● ● | ● ● | ● ● | ● ● | ● ● | ● ● |
| Typos D-100L | • ● | ● ● | ● ● | ● ● | ● ● | ● ● | ● ● | ● ● | ● ● | ● ● | ● ● | ● ● | ● ● | ● ● | ● ● | ● ● | ● ● | ● ● | ● ● | ● ● |
| Typos D-150S | • ● | ● ● | ● ● | ● ● | ● ● | ● ● | ● ● | ● ● | ● ● | ● ● | ● ● | ● ● | ● ● | ● ● | ● ● | ● ● | ● ● | ● ● | ● ● | ● ● |
| Typos D-150 | • ● | ● ● | ● ● | ● ● | ● ● | ● ● | ● ● | ● ● | ● ● | ● ● | ● ● | ● ● | ● ● | ● ● | ● ● | ● ● | ● ● | ● ● | ● ● | ● ● |
| Typos D-200 | • ● | ● ● | ● ● | ● ● | ● ● | ● ● | ● ● | ● ● | ● ● | ● ● | ● ● | ● ● | ● ● | ● ● | ● ● | ● ● | ● ● | ● ● | ● ● | ● ● |
| Typos N200 | • ● | ● ● | ● ● | ● ● | ● ● | ● ● | ● ● | ● ● | ● ● | ● ● | ● ● | ● ● | ● ● | ● ● | ● ● | ● ● | ● ● | ● ● | ● ● | ● ● |
| Villa M-100 | • ● | ● ● | ● ● | ● ● | ● ● | ● ● | ● ● | ● ● | ● ● | ● ● | ● ● | ● ● | ● ● | ● ● | ● ● | ● ● | ● ● | ● ● | ● ● | ● ● |
| Villa M-100L | • ● | ● ● | ● ● | ● ● | ● ● | ● ● | ● ● | ● ● | ● ● | ● ● | ● ● | ● ● | ● ● | ● ● | ● ● | ● ● | ● ● | ● ● | ● ● | ● ● |
| Viola D-100S | • ● | ● ● | ● ● | ● ● | ● ● | ● ● | ● ● | ● ● | ● ● | ● ● | ● ● | ● ● | ● ● | ● ● | ● ● | ● ● | ● ● | ● ● | ● ● | ● ● |
| Viola D-100 | • ● | ● ● | ● ● | ● ● | ● ● | ● ● | ● ● | ● ● | ● ● | ● ● | ● ● | ● ● | ● ● | ● ● | ● ● | ● ● | ● ● | ● ● | ● ● | ● ● |
| Viola D-100L | ● ● | ● ● | ● ● | ● ● | ● ● | ● ● | ● ● | ● ● | ● ● | ● ● | ● ● | ● ● | ● ● | ● ● | ● ● | ● ● | ● ● | ● ● | ● ● | ● ● |
| Viola D-150 | ● ● | ● ● | ● ● | ● ● | ● ● | ● ● | ● ● | ● ● | ● ● | ● ● | ● ● | ● ● | ● ● | ● ● | ● ● | ● ● | ● ● | ● ● | ● ● | ● ● |
| Viola D-200 | • ● | ● ● | ● ● | ● ● | ● ● | ● ● | ● ● | ● ● | ● ● | ● ● | ● ● | ● ● | ● ● | ● ● | ● ● | ● ● | ● ● | ● ● | ● ● | ● ● |
| Viola N-200S | • ● | ● ● | ● ● | ● ● | ● ● | ● ● | ● ● | ● ● | ● ● | ● ● | ● ● | ● ● | ● ● | ● ● | ● ● | ● ● | ● ● | ● ● | ● ● | ● ● |
| Viola N-200 | • ● | ● ● | ● ● | ● ● | ● ● | ● ● | ● ● | ● ● | ● ● | ● ● | ● ● | ● ● | ● ● | ● ● | ● ● | ● ● | ● ● | ● ● | ● ● | ● ● |
| Virtus N-100XS | • ● | ● ● | ● ● | ● ● | ● ● | ● ● | ● ● | ● ● | ● ● | ● ● | ● ● | ● ● | ● ● | ● ● | ● ● | ● ● | ● ● | ● ● | ● ● | ● ● |
| Virtus N-100S | • ● | ● ● | ● ● | ● ● | ● ● | ● ● | ● ● | ● ● | ● ● | ● ● | ● ● | ● ● | ● ● | ● ● | ● ● | ● ● | ● ● | ● ● | ● ● | ● ● |
| Virtus N-100 | • ● | ● ● | ● ● | ● ● | ● ● | ● ● | ● ● | ● ● | ● ● | ● ● | ● ● | ● ● | ● ● | ● ● | ● ● | ● ● | ● ● | ● ● | ● ● | ● ● |
| Virtus N-100XL | • ● | ● ● | ● ● | ● ● | ● ● | ● ● | ● ● | ● ● | ● ● | ● ● | ● ● | ● ● | ● ● | ● ● | ● ● | ● ● | ● ● | ● ● | ● ● | ● ● |
| Virtus N-100XLY | • ● | ● ● | ● ● | ● ● | ● ● | ● ● | ● ● | ● ● | ● ● | ● ● | ● ● | ● ● | ● ● | ● ● | ● ● | ● ● | ● ● | ● ● | ● ● | ● ● |

● In Stock
○ For items not in stock, a minimum order quantity of 100 pieces applies.

NEWS AND UPDATES

Sinks CRISTADUR®

| Model | Colours |
|-------------|-----------|
| Kyoto D-100 | Carbonium |
| Kyoto D-150 | Magnolia |
| Lotus D-100 | |

Sinks CRISTALITE®

| Model | Colours |
|-------------|------------|
| Lima D-100S | Inca |
| | Terra |
| | Superwhite |

Mixer taps

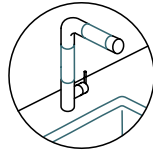
| Model | Colours |
|---------------------|------------|
| Epos W | Carbonium |
| Epos W Low pressure | Magnolia |
| Talia | Inca |
| Maia | Superwhite |
| Simi | |
| Sono | |

LEGEND

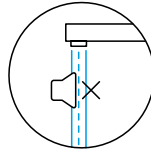
SPECIAL FEATURES TAPS & SOAP DISPENSER



Stainless steel
Durable and
hygienic



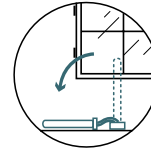
SCHOCK clad
Partially clad in quartz
composite



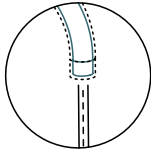
A whisper
Ultra-quiet
water jet



Space-saving
Foldable thanks
to plug-in system



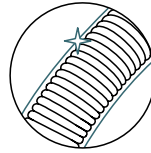
Versatile
Foldable
thanks to
bayonet catch



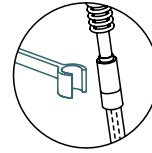
Charming
Graceful design



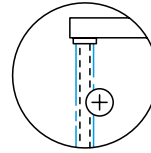
Low pressure
For connection
to boiler/flow
heater



Simply ingenious
Easy-clean spout
thanks to the clo-
sed coil hose



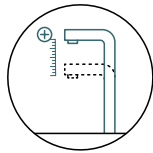
Freedom
Unhookable,
flexible hose



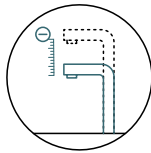
Time-saving
Extra-strong jet



**Every drop
counts**
Integrated water-
saving function



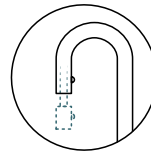
Highly popular
Tall spout



Compact
Space-saving
design



Filter water
Hot, cold and
filter water
Connection



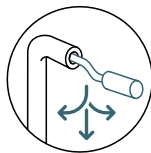
Hidden talent
Concealed
pull-out function



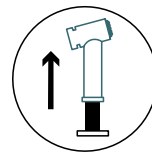
Choice
Switch between
beam and
shower jet



Safety first
Built-in tempera-
ture limiter



Get more done
Ergonomic
design



In action
Side spray for
more flexibility





Schock GmbH

Hofbauerstraße 1
94209 Regen

www.schock.de/int_en



WE-0238-INT/24